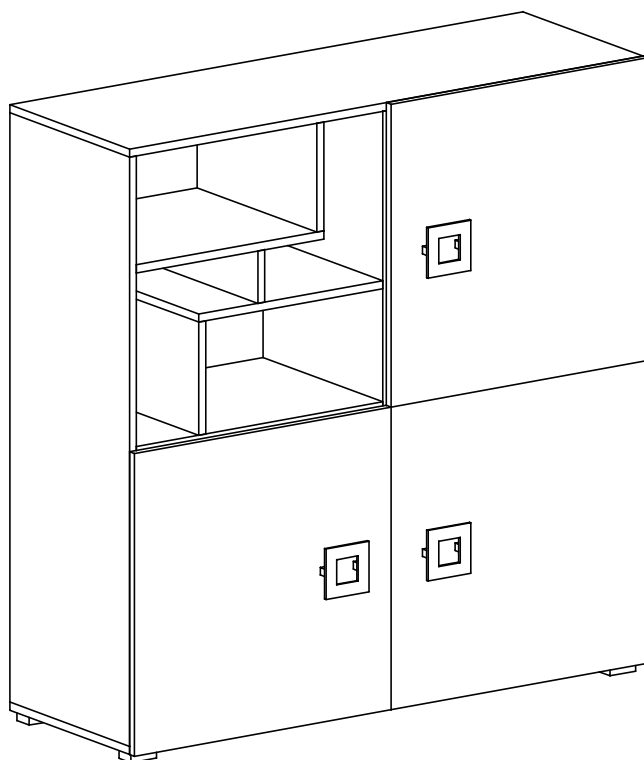
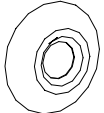
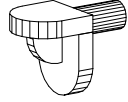
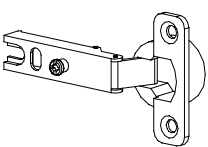
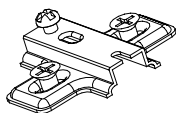
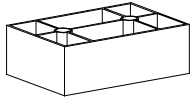
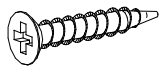

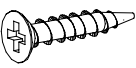
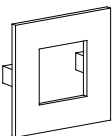
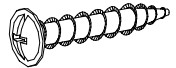
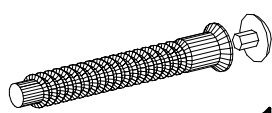
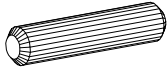

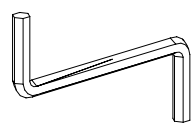


system LABIRYNT

LA 8



		R		x8	P		x12						
D		x6	C		x6	G		x5	S		4 x 25	x10	
W		x2	E		3 x 20	x50	U		x3	N		4 x 30	x6
A		x12	B		x36	T		4 x 13	x12	Z		x1	