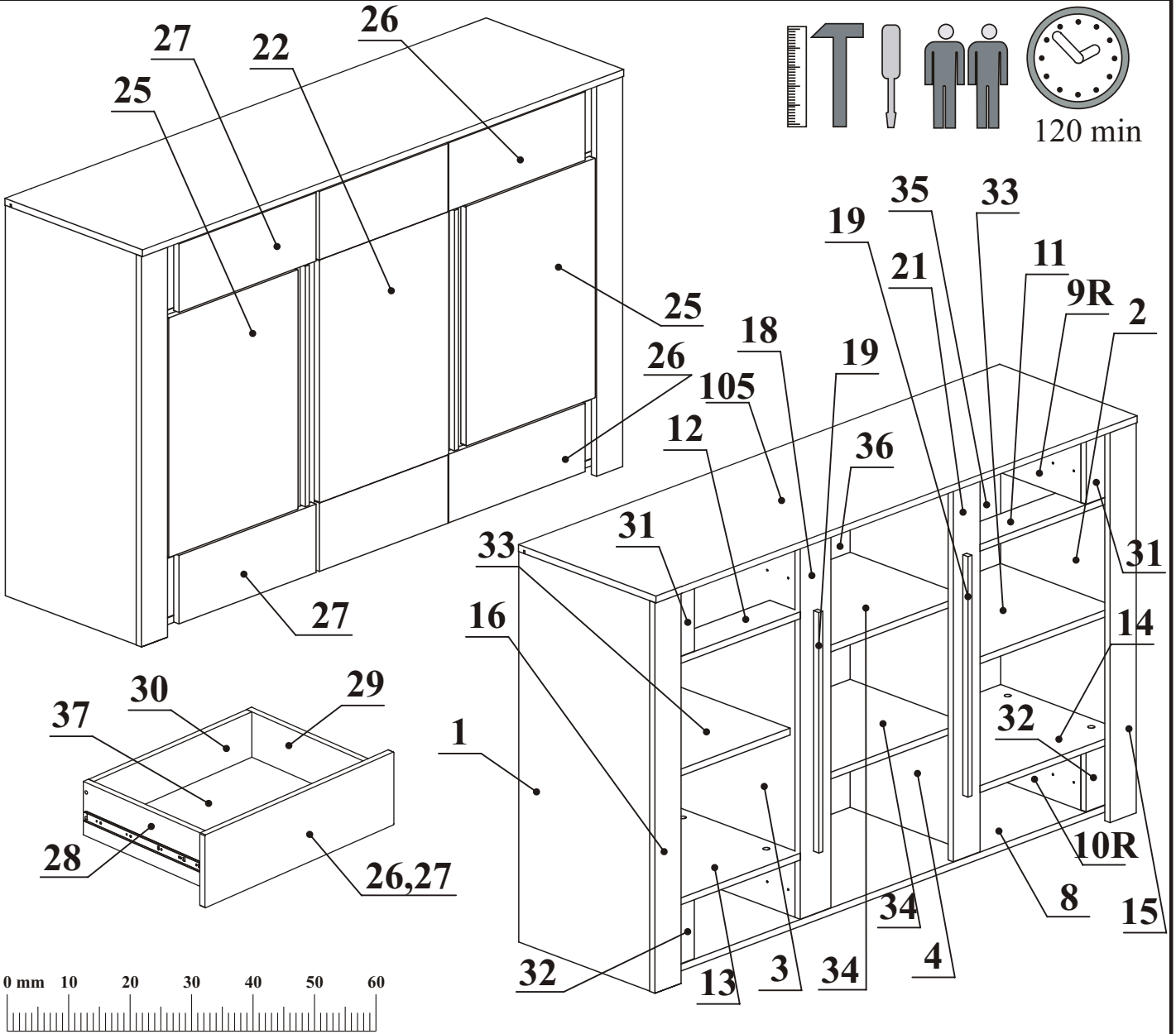
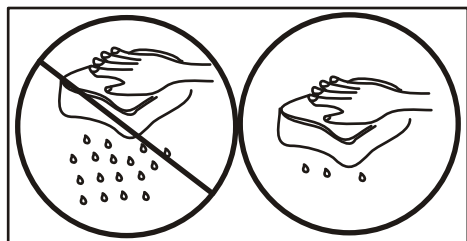
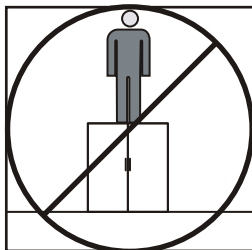
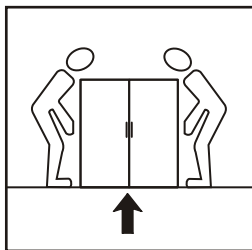
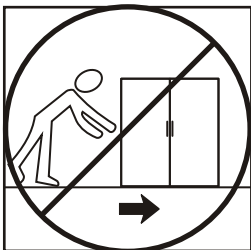
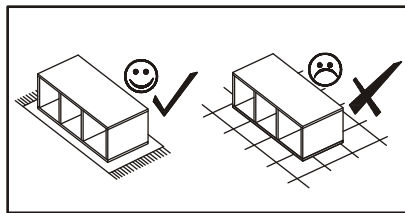
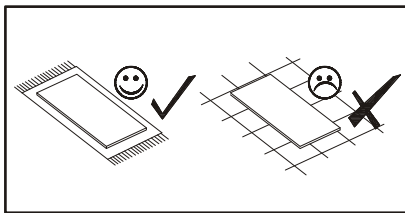
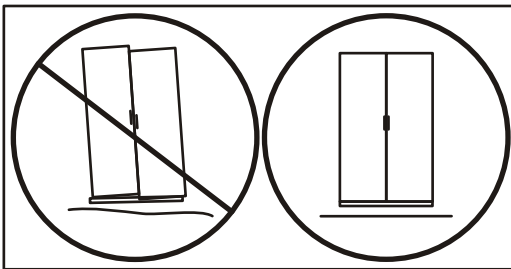
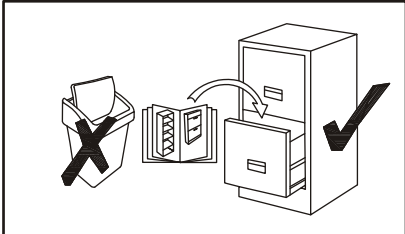
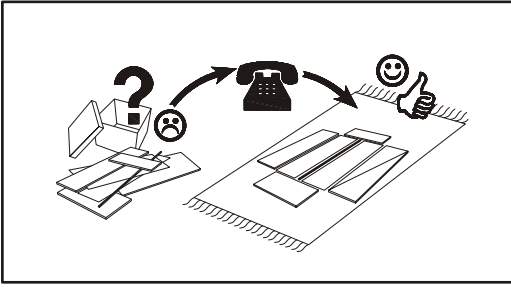


ALVO TYP 10



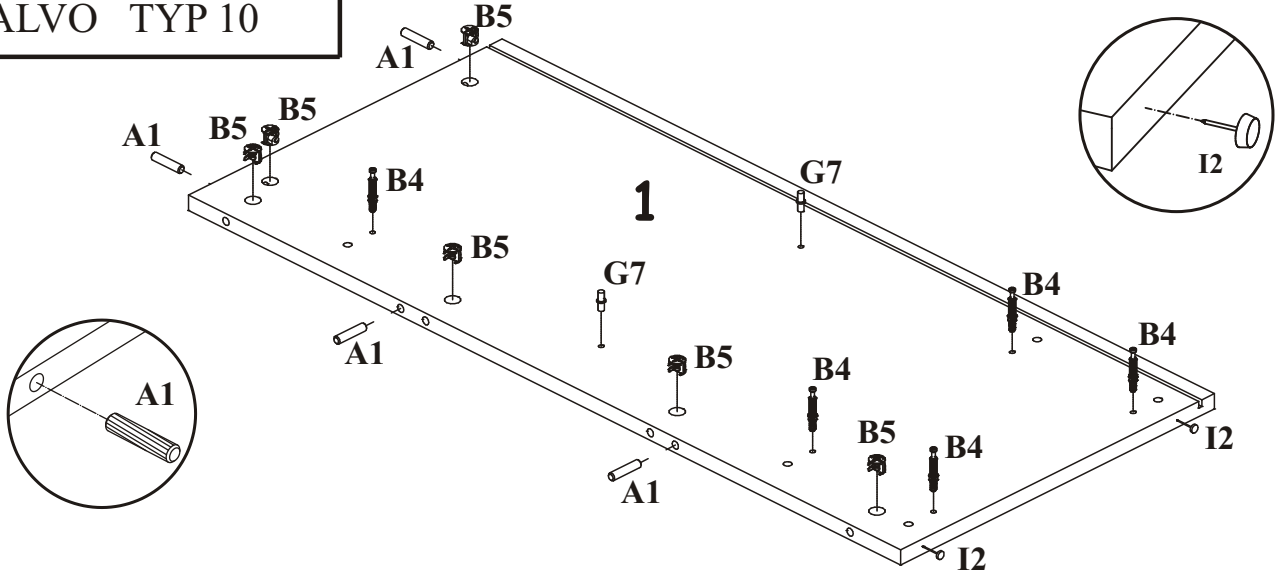
E15 X4		E2 X4 H=2		E13 X2		E12 X2		D9 X16 USØ3x20			
A1 X66 ø8x36		B4 X46		B5 X46 ø15x12		G5 X46		D10 X12 USØ3,5x13		G16 X12	
B3 X35 Ø1,4x25		H8 X4 L=350		D6 X4 USØ3,5x30		S1 X14		G7 X16		B11 X34 Ø7x50	
ST3 X2		I2 X4		D8 X40 ESØ5x13		G2 X1		UP15 X6 UPØ4x25		G4 X34	

ALVO TYP 10

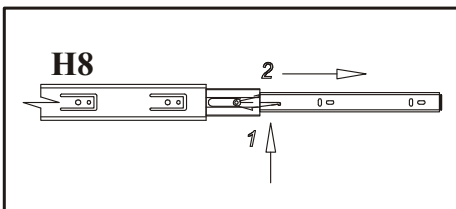
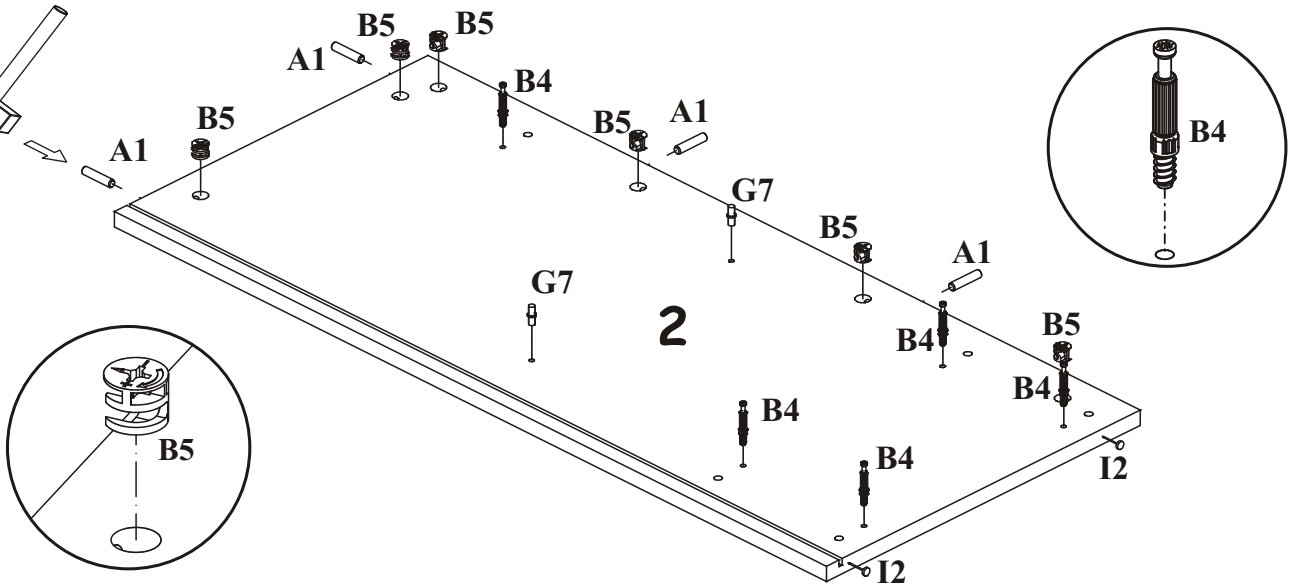


ALVO TYP 10

I

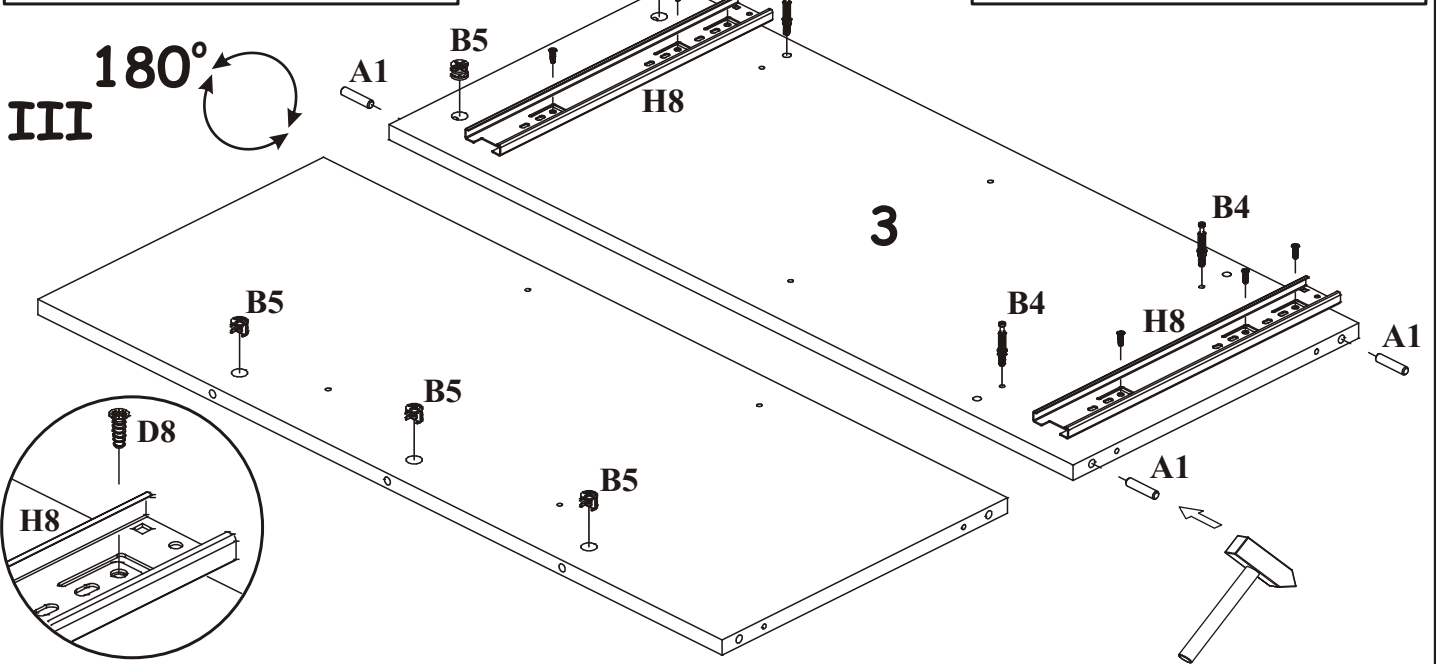


II



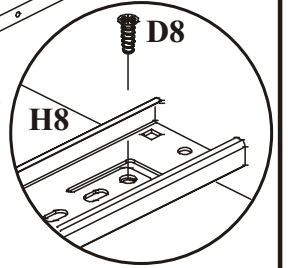
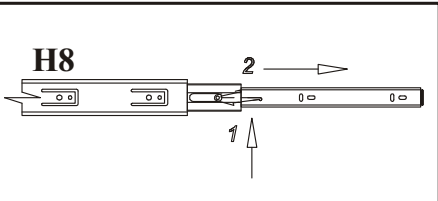
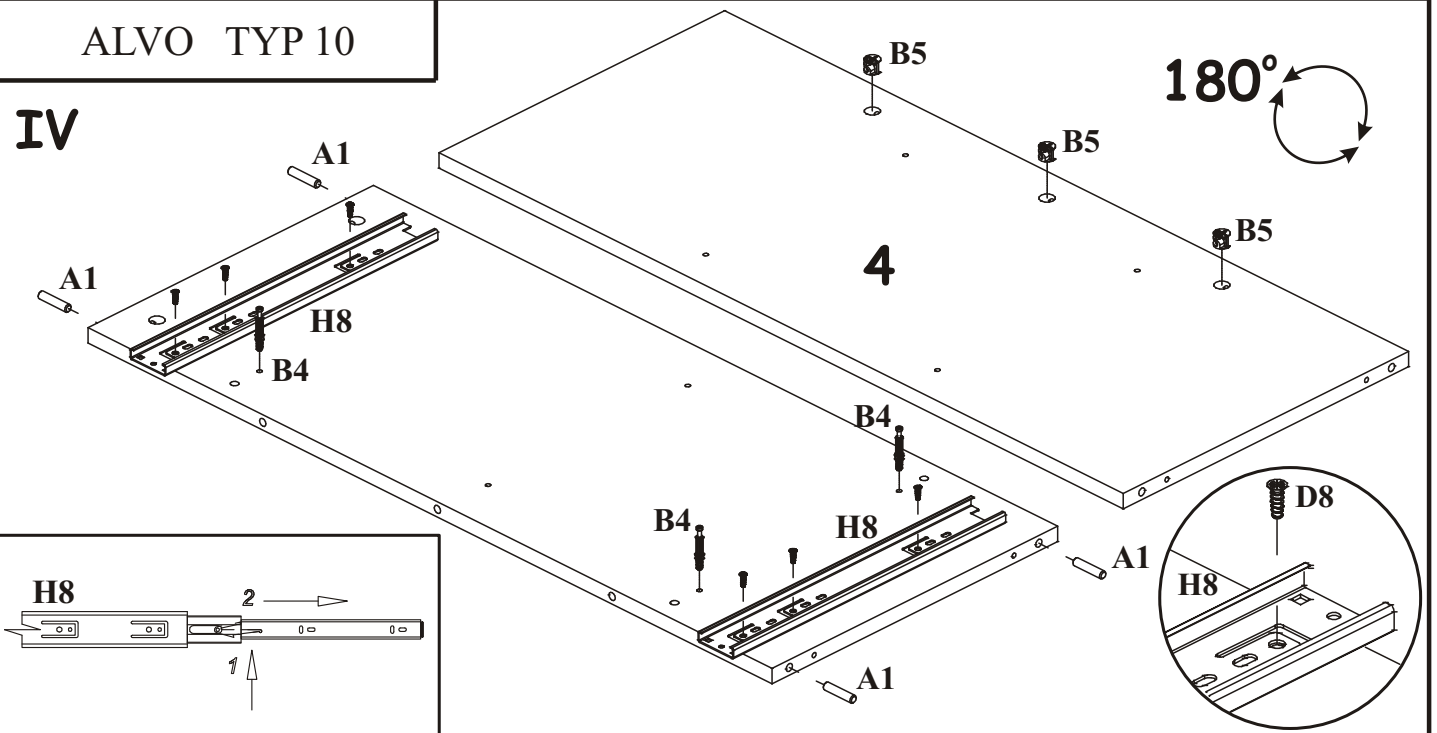
III

180°

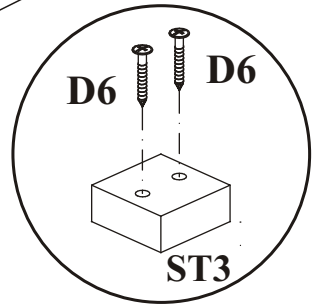
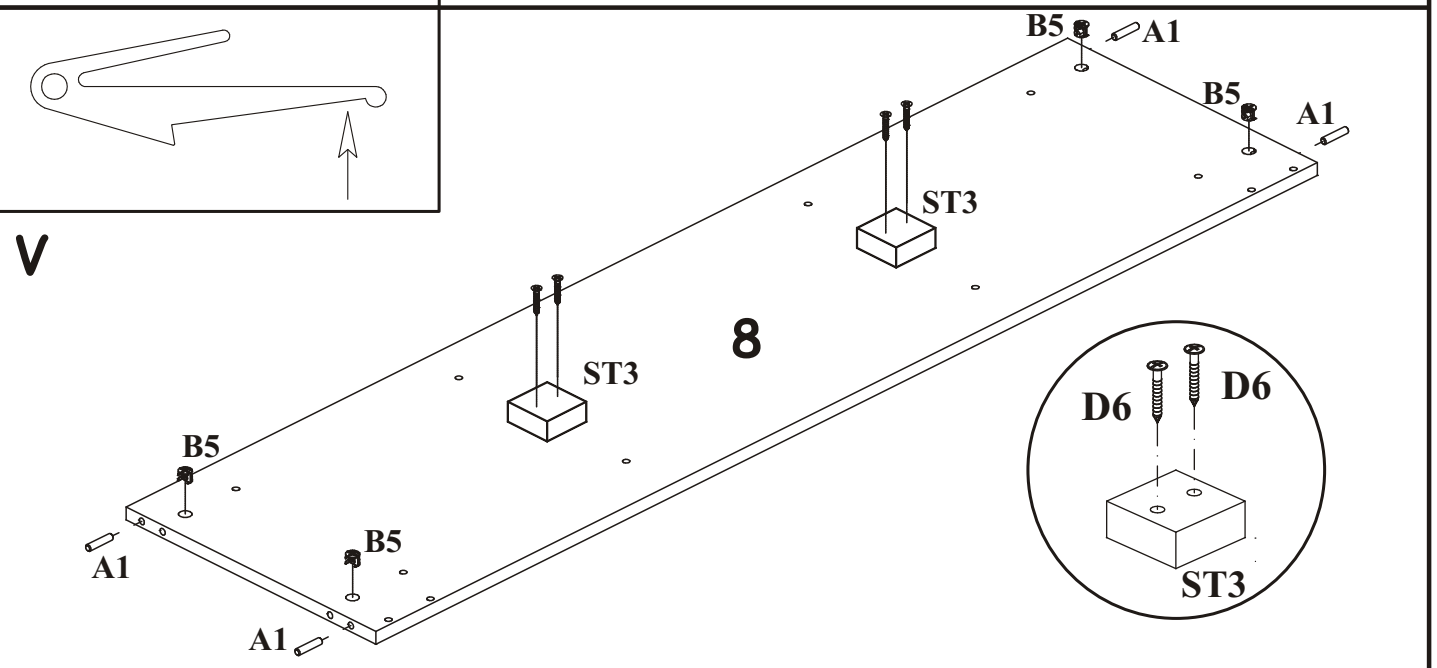


ALVO TYP 10

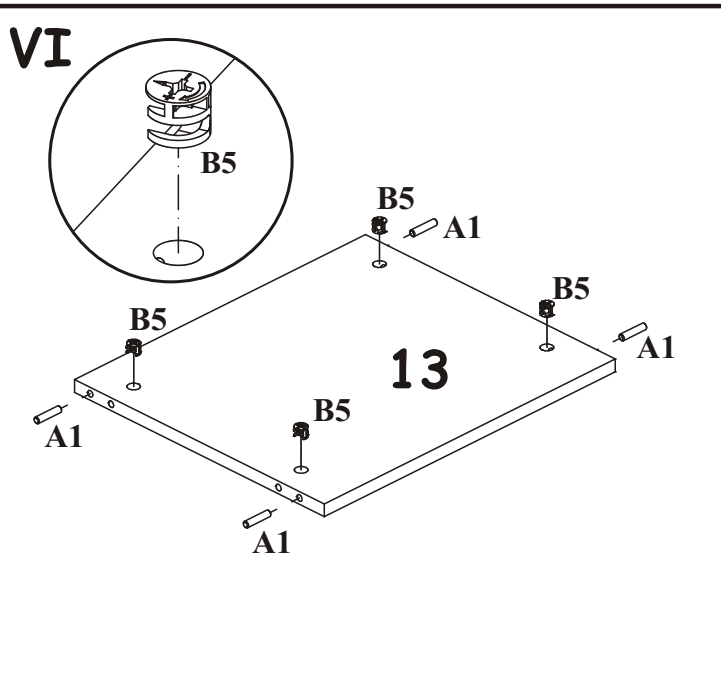
IV



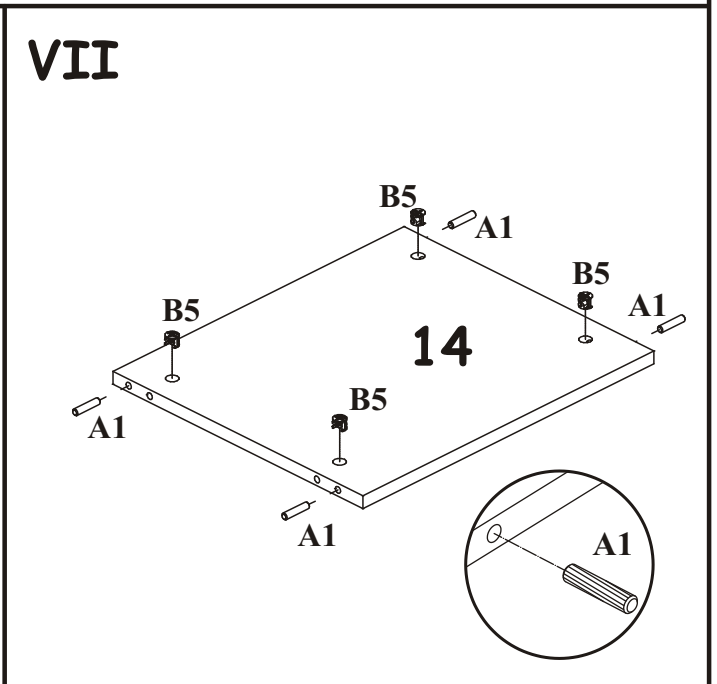
V



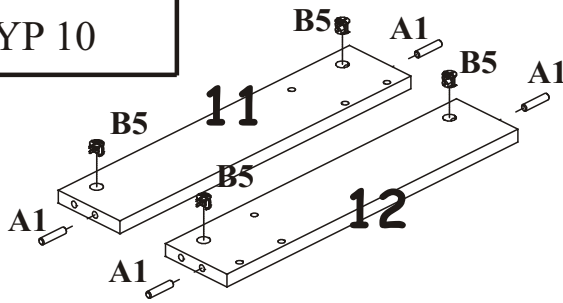
VI



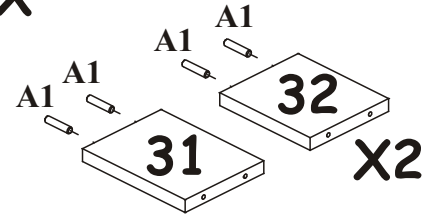
VII



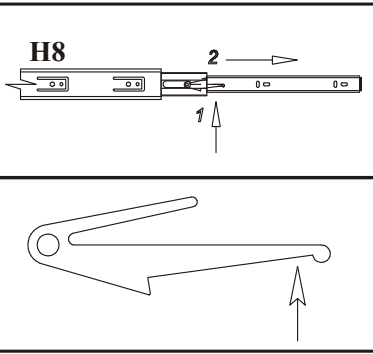
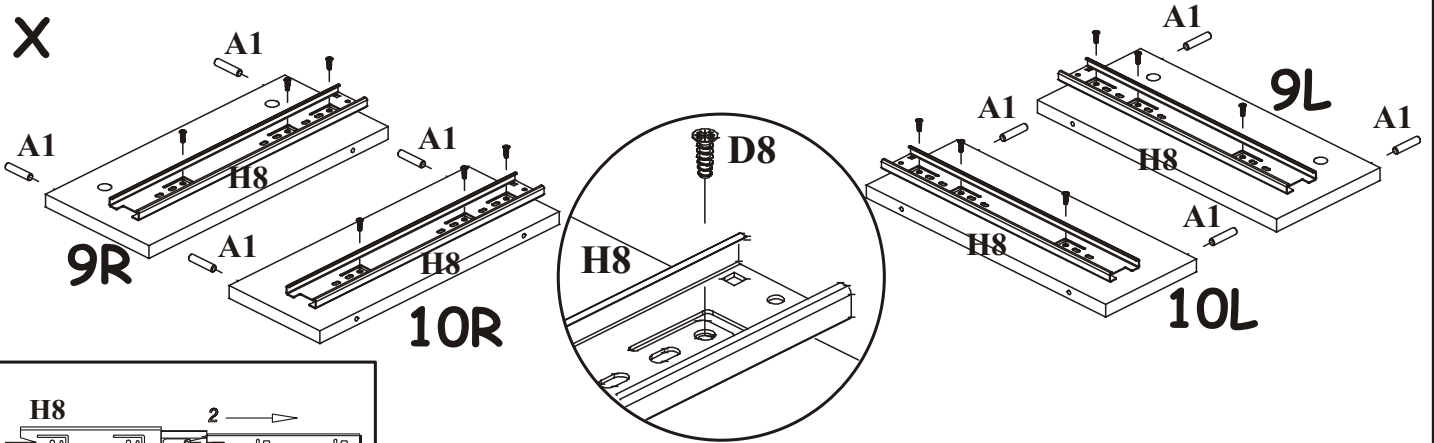
VIII



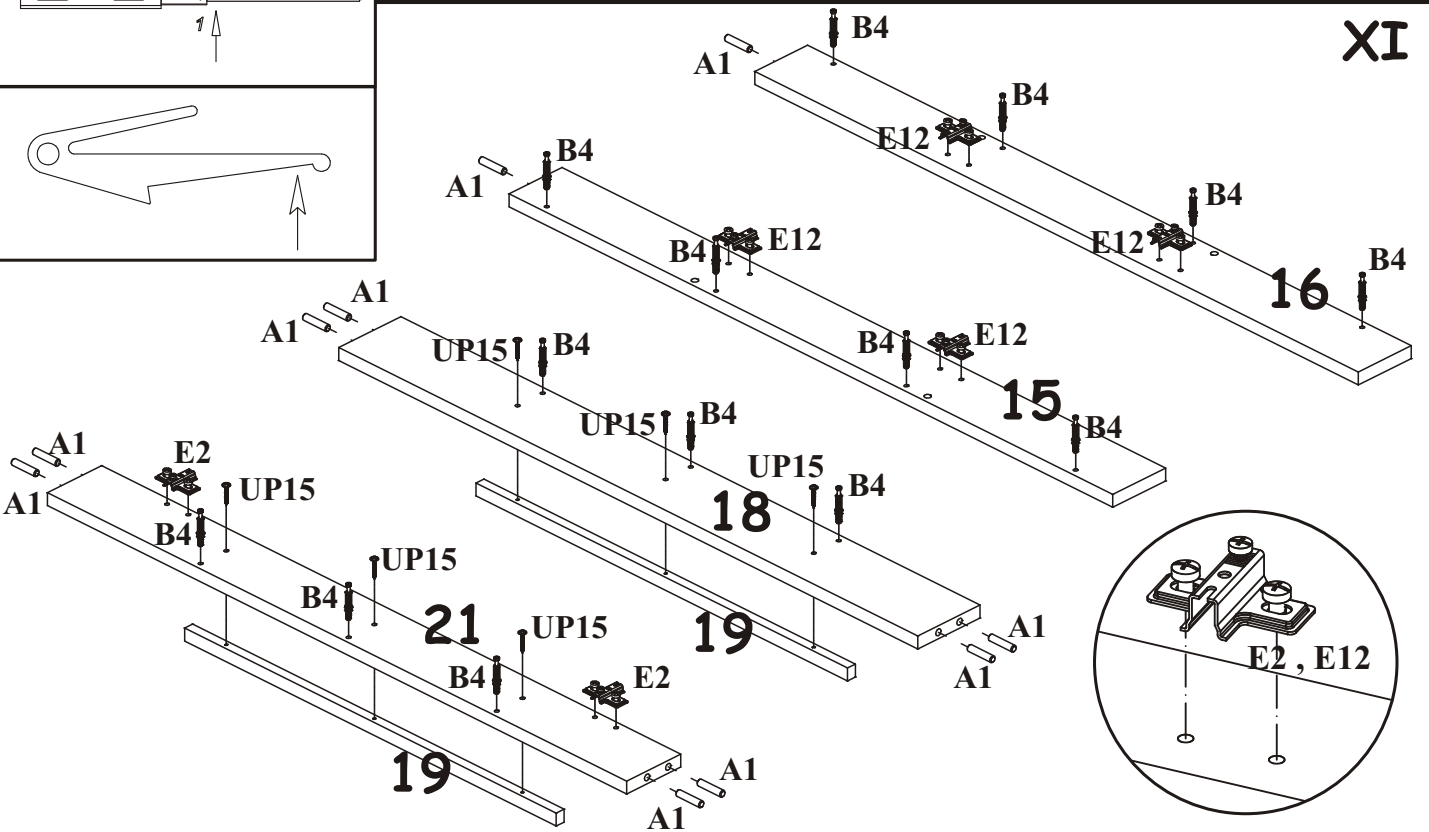
IX



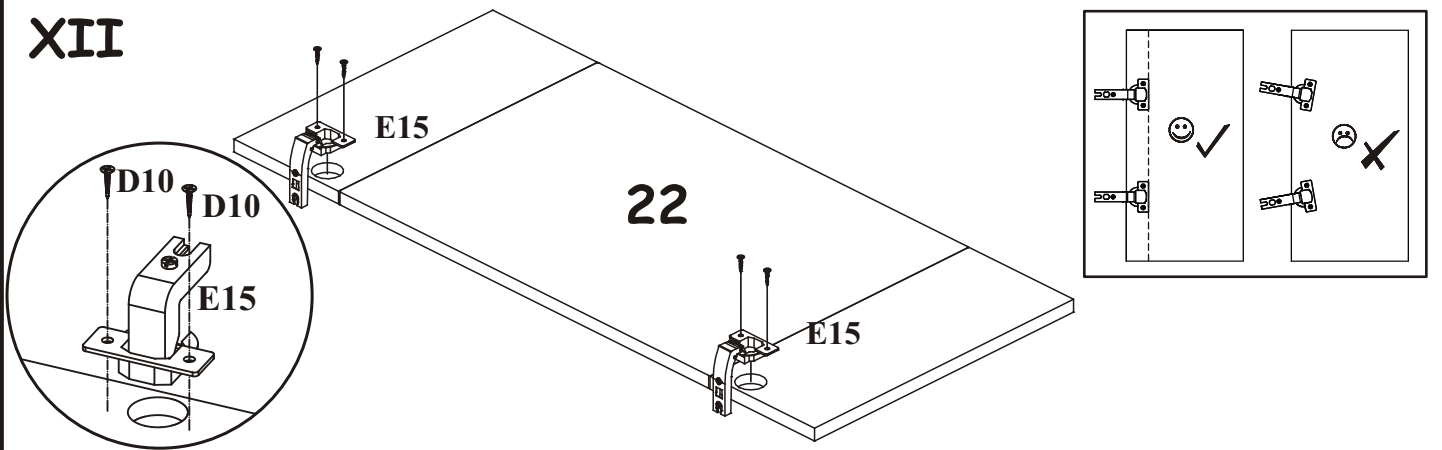
X



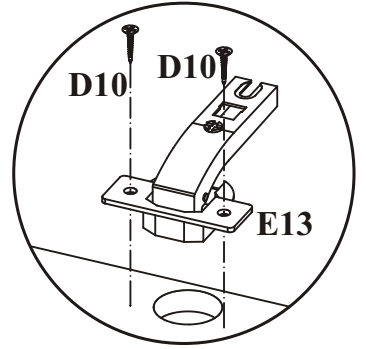
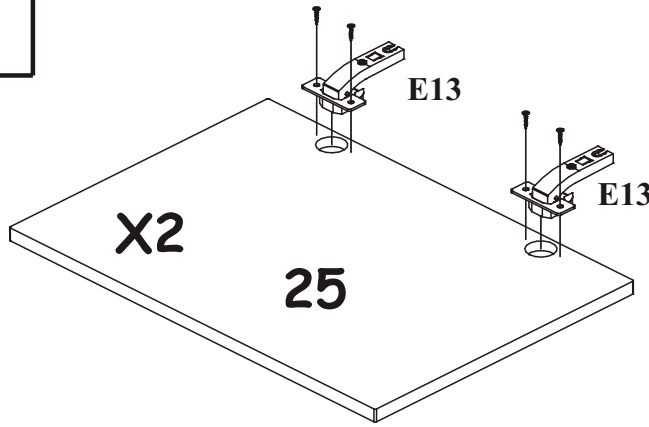
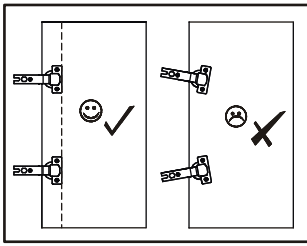
XI



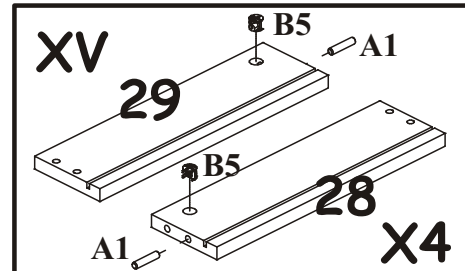
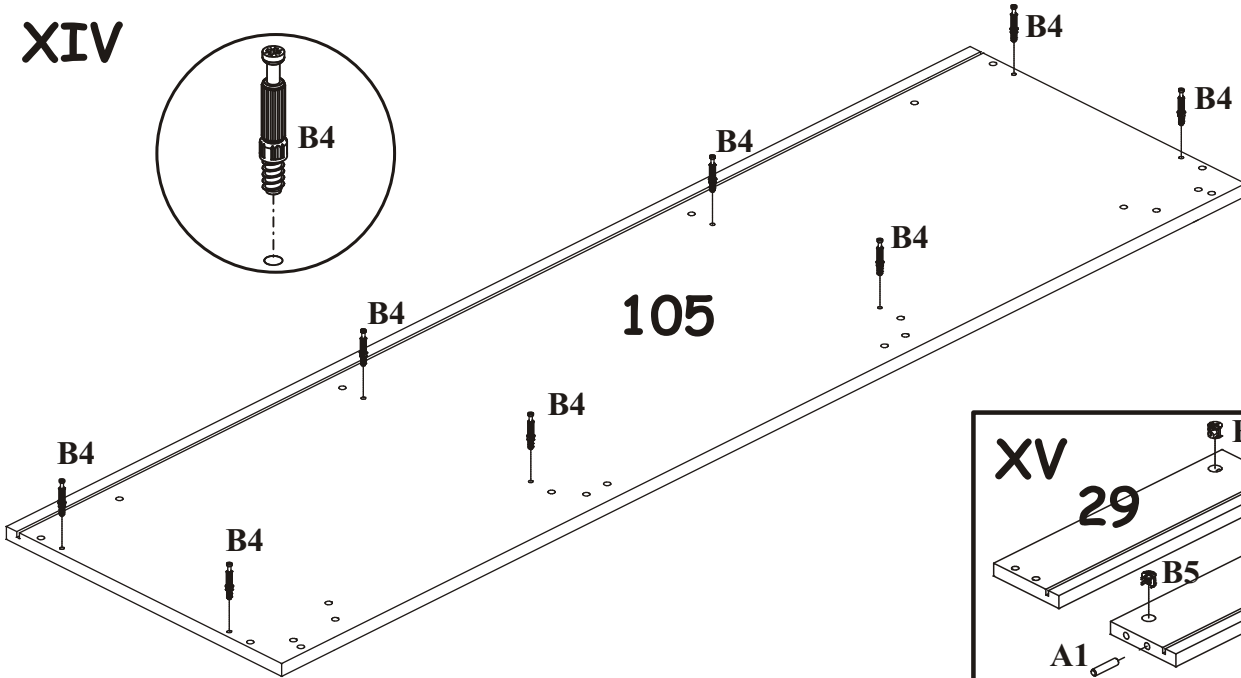
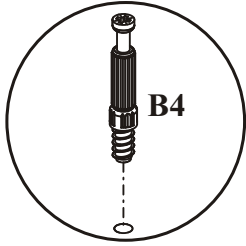
XII



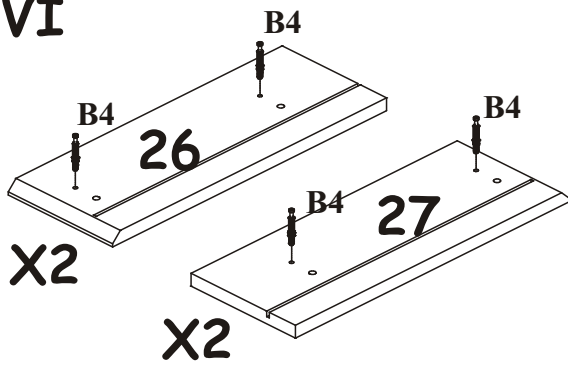
XIII



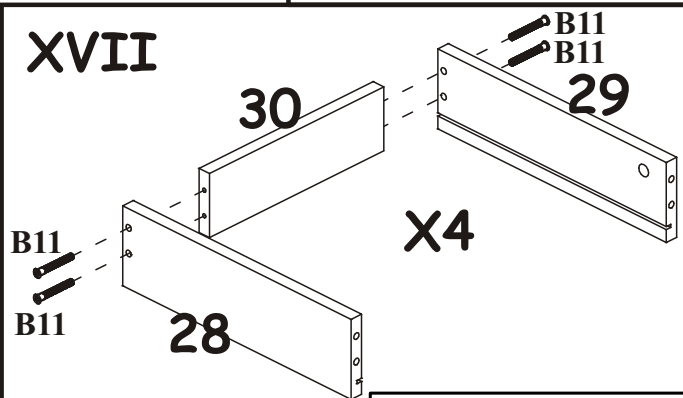
XIV



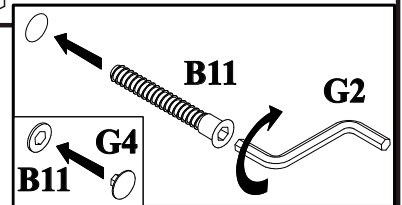
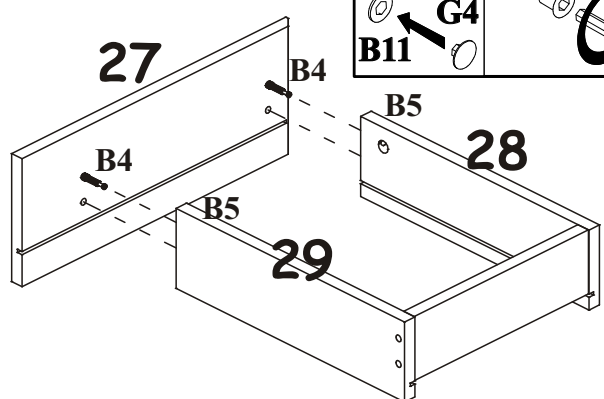
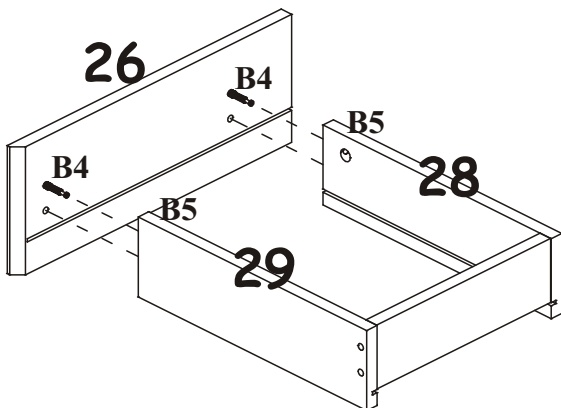
XVI



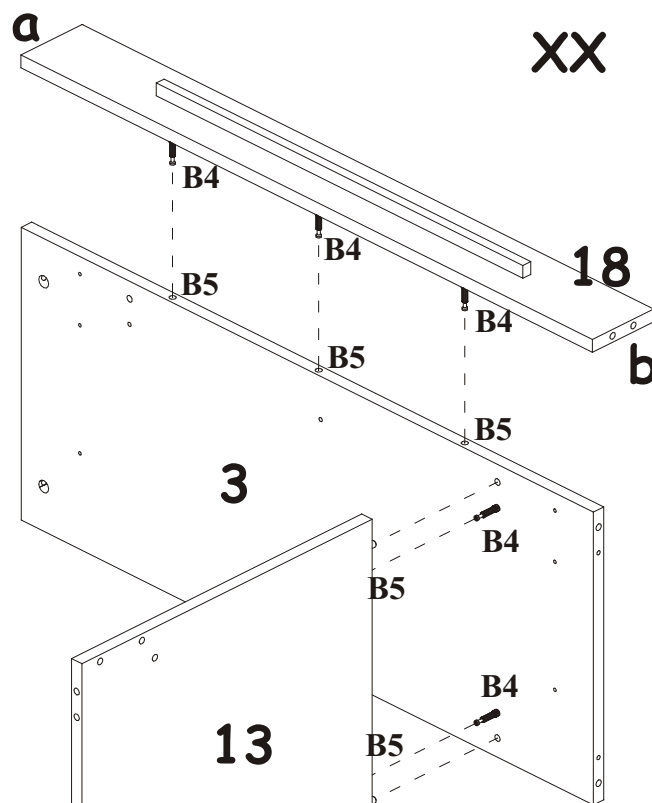
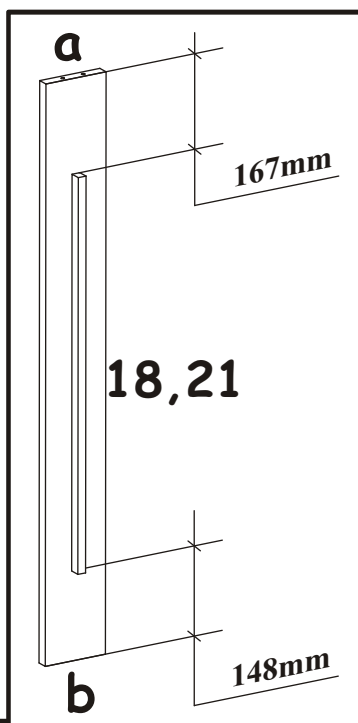
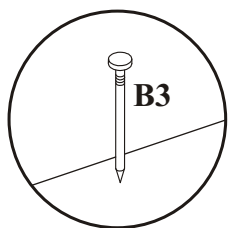
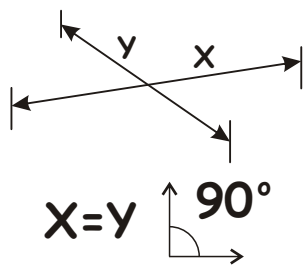
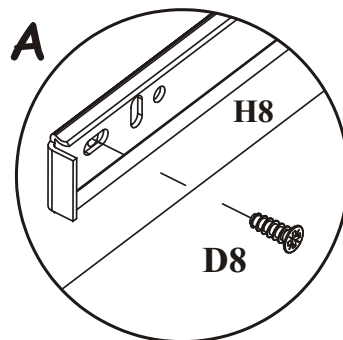
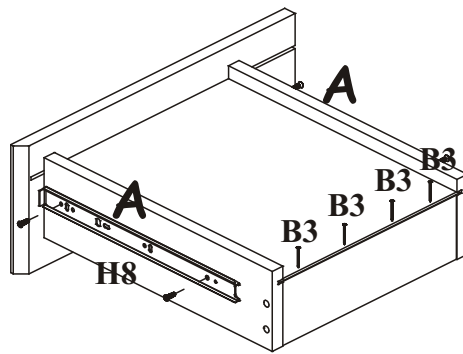
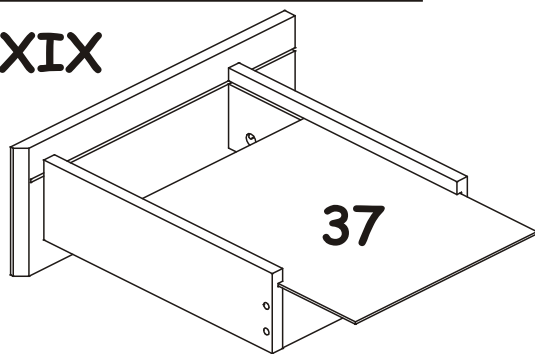
XVII



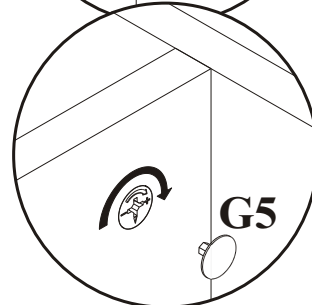
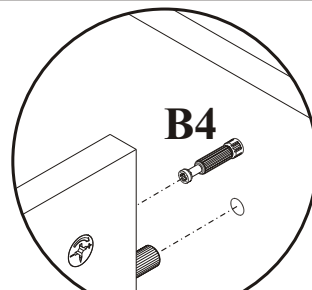
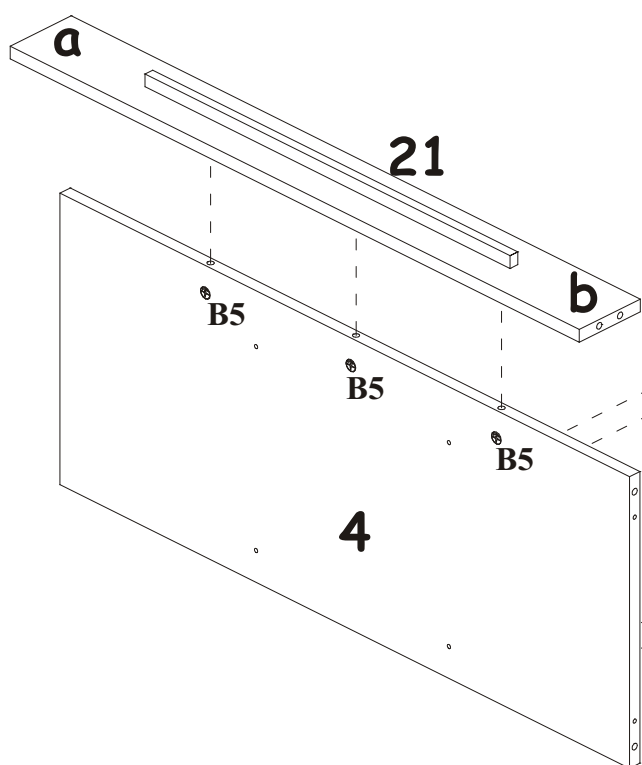
XVIII



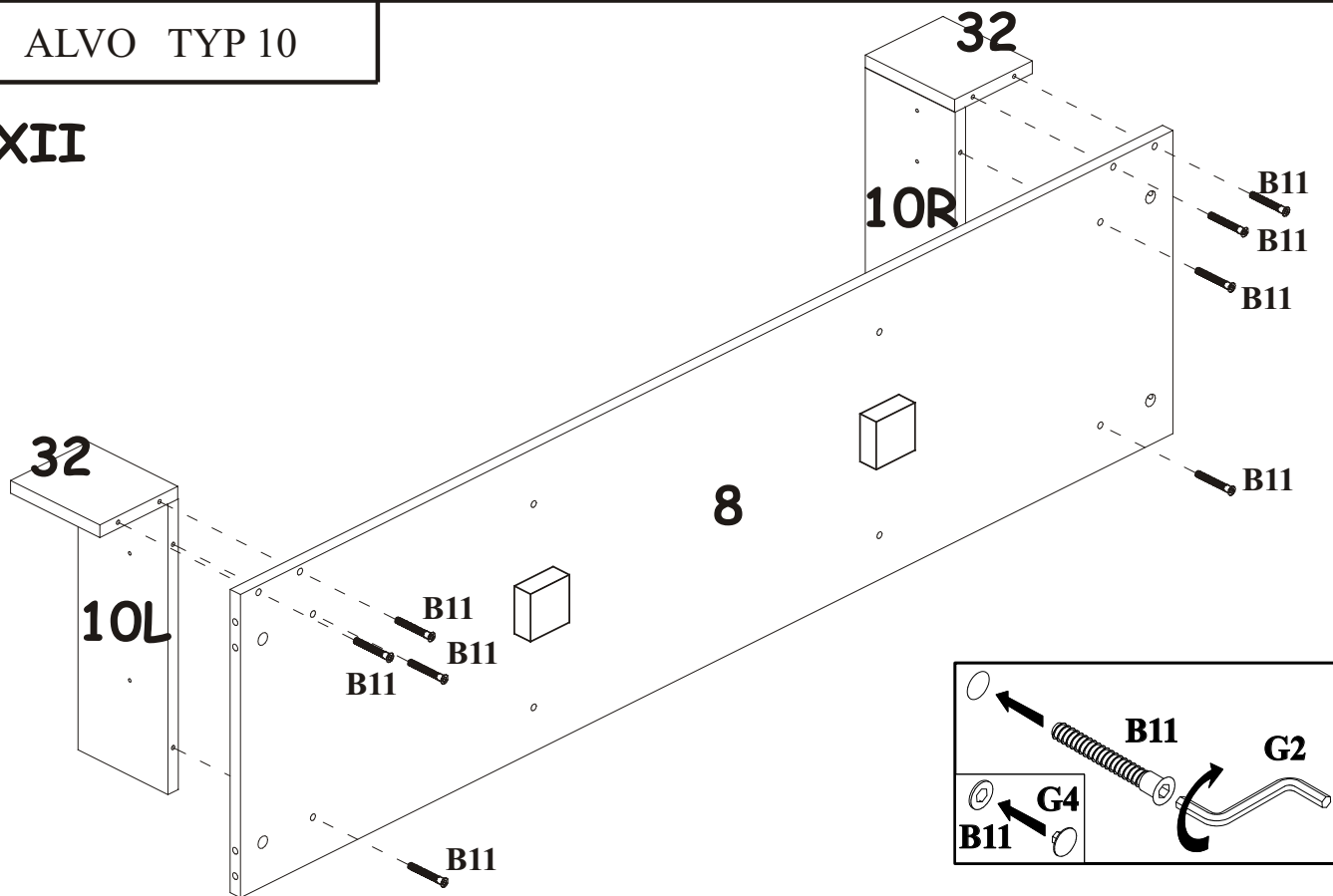
XIX



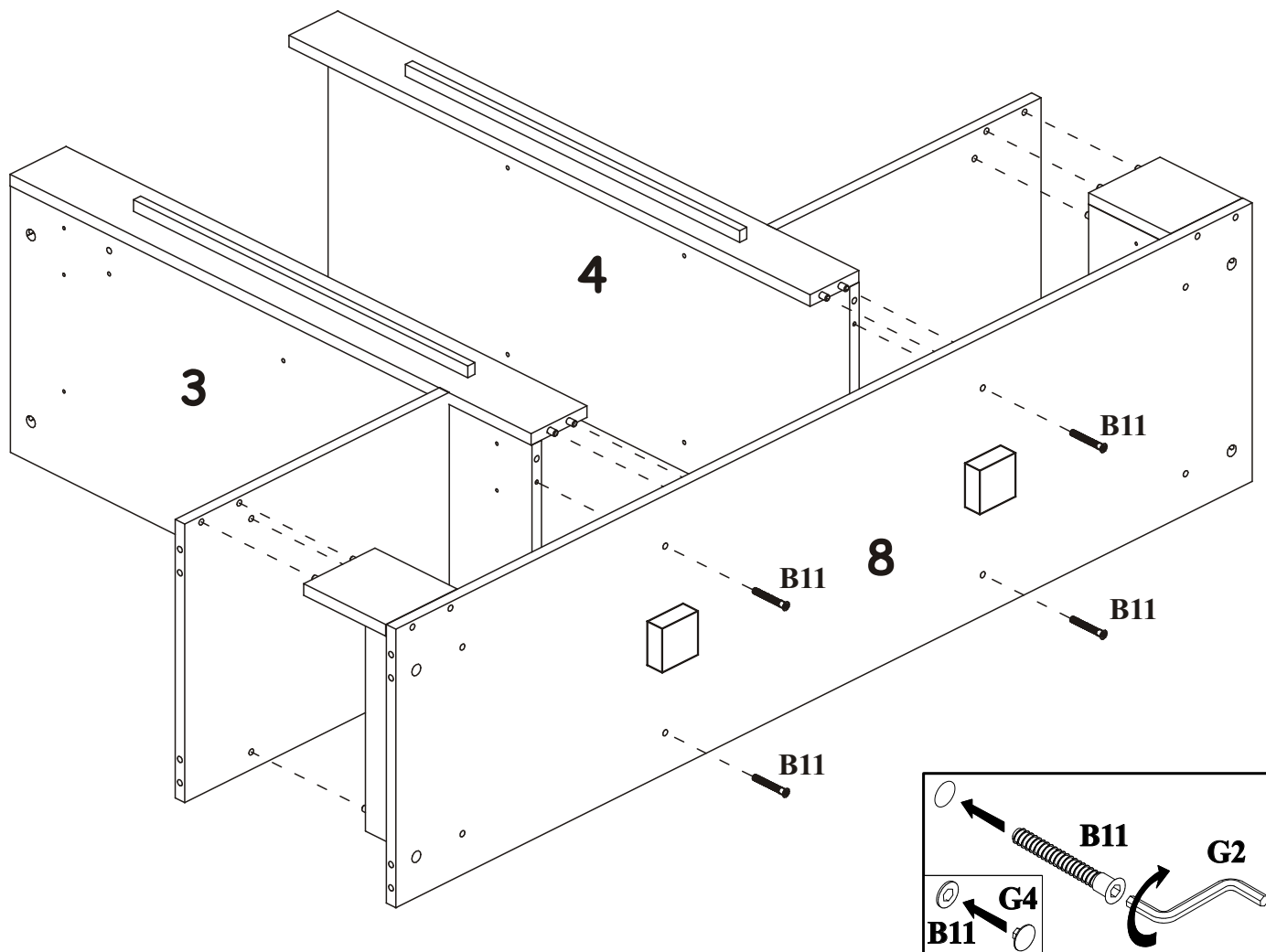
XXI



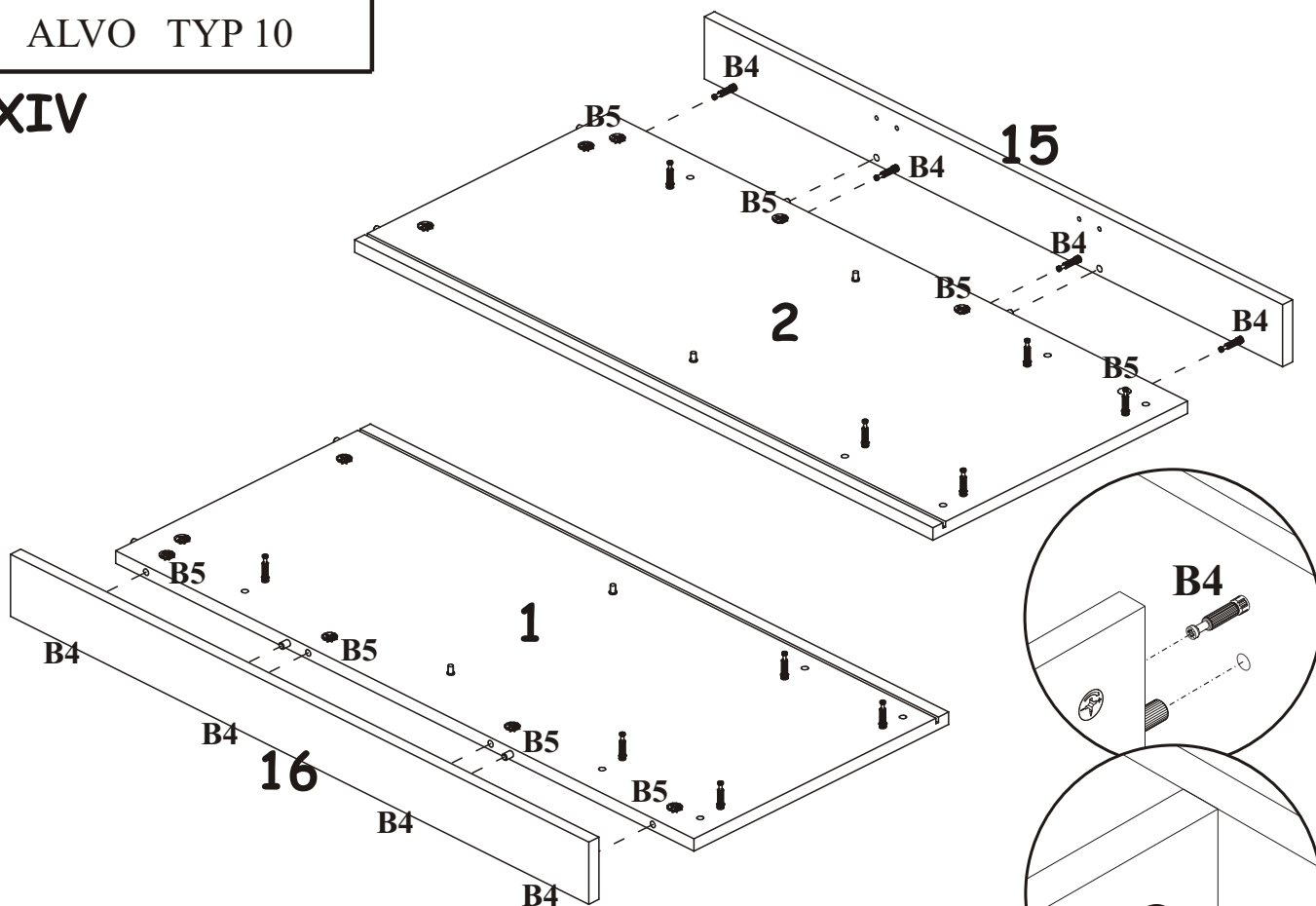
XXII



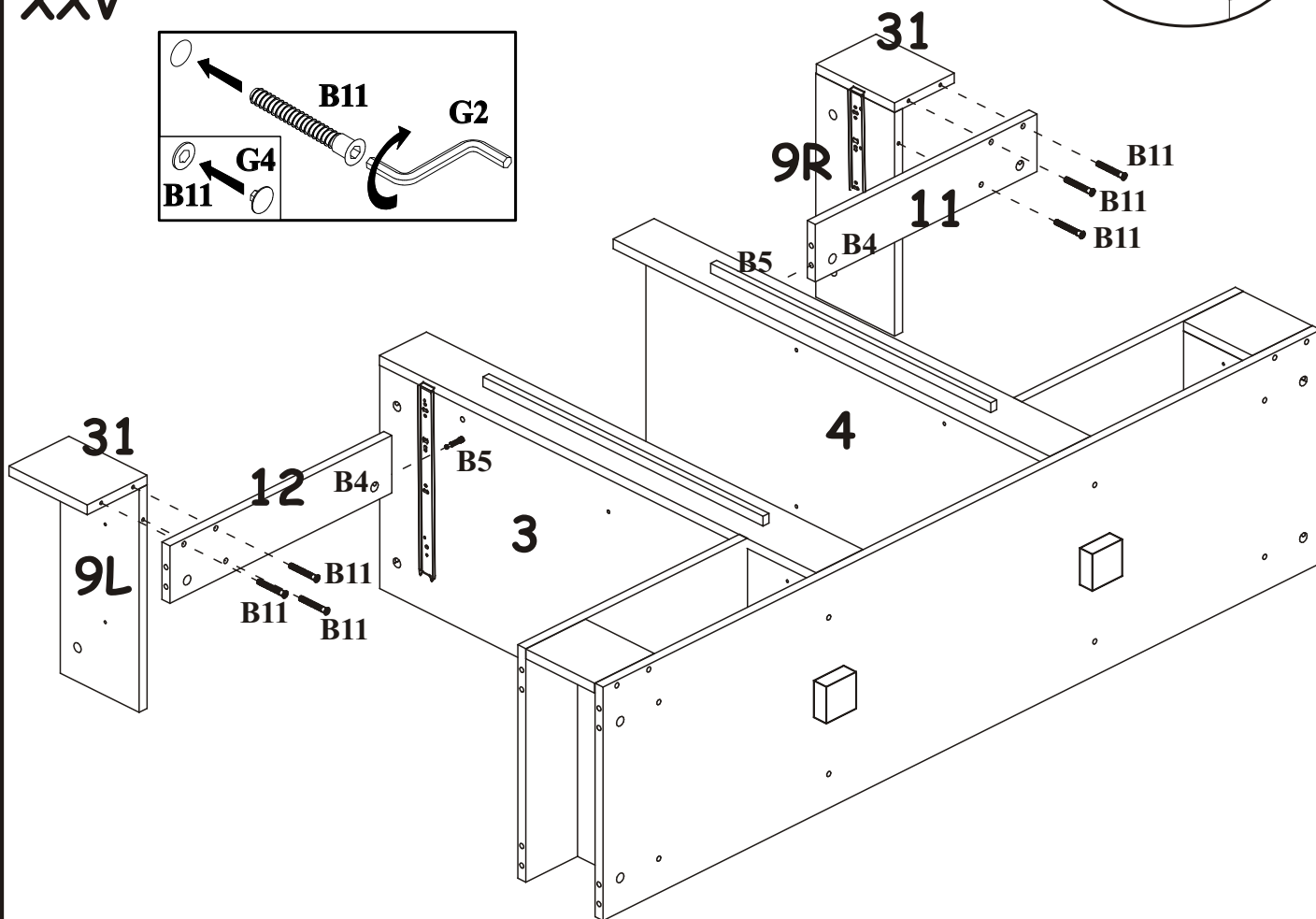
XXIII



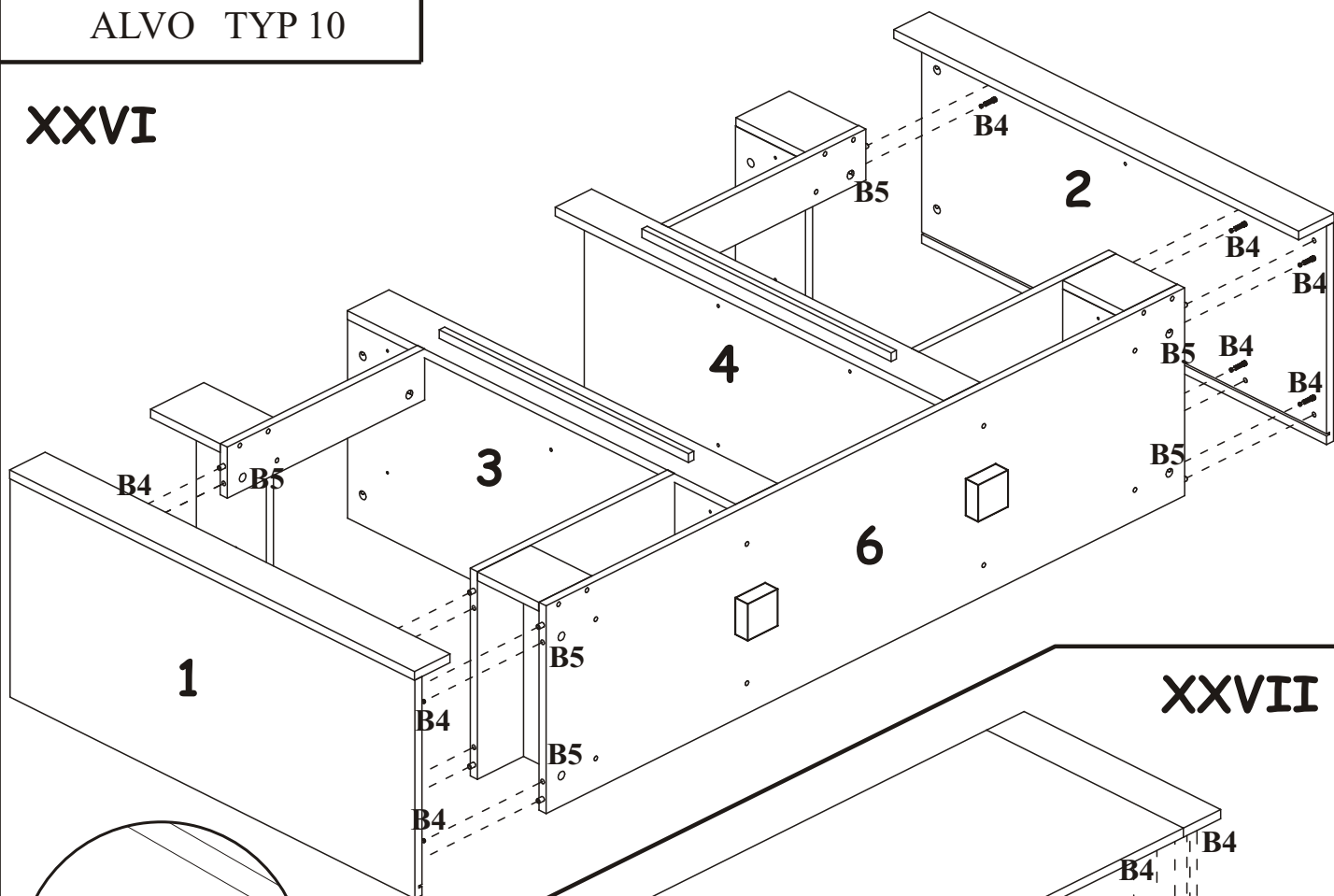
XXIV



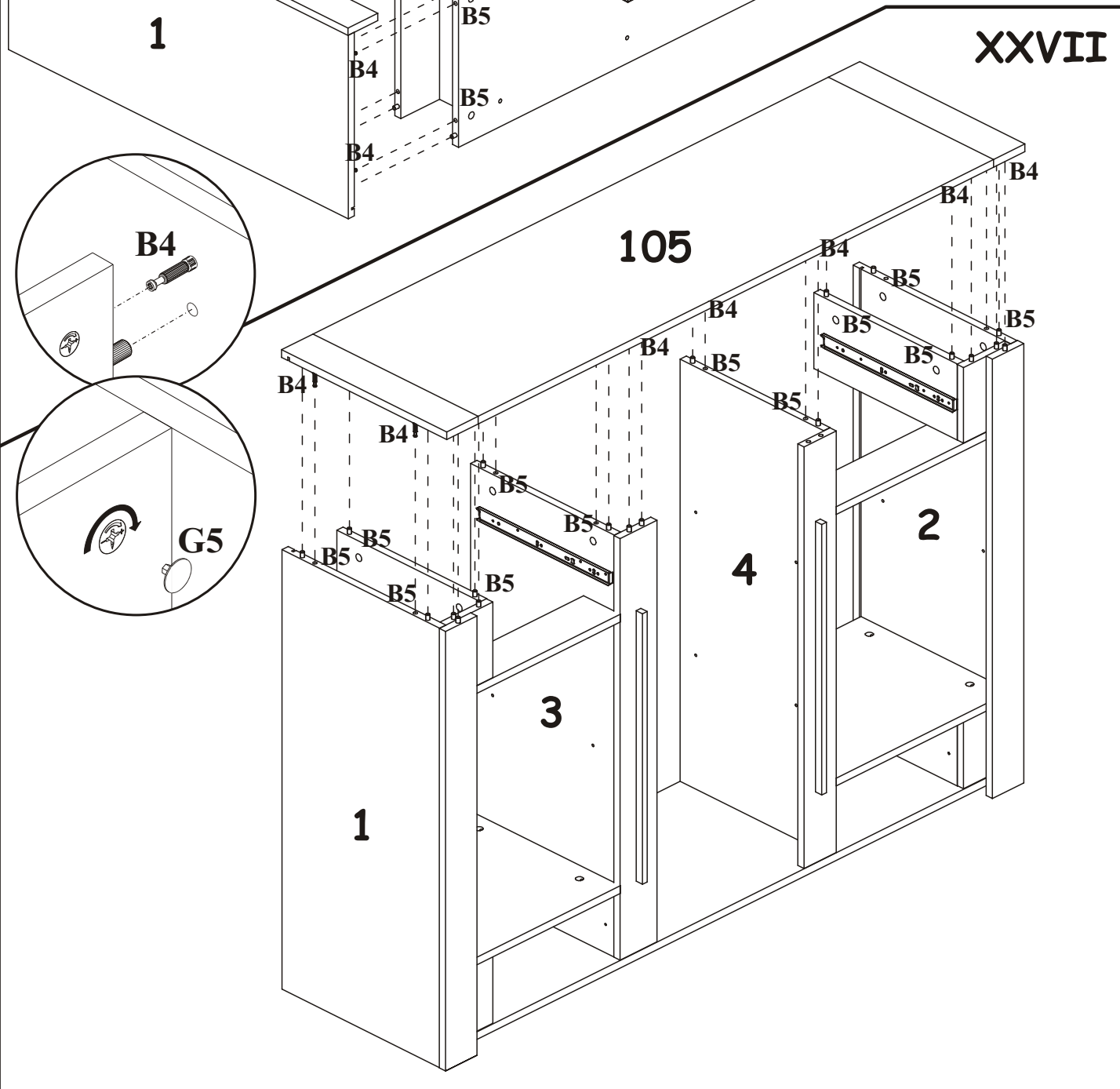
XXV



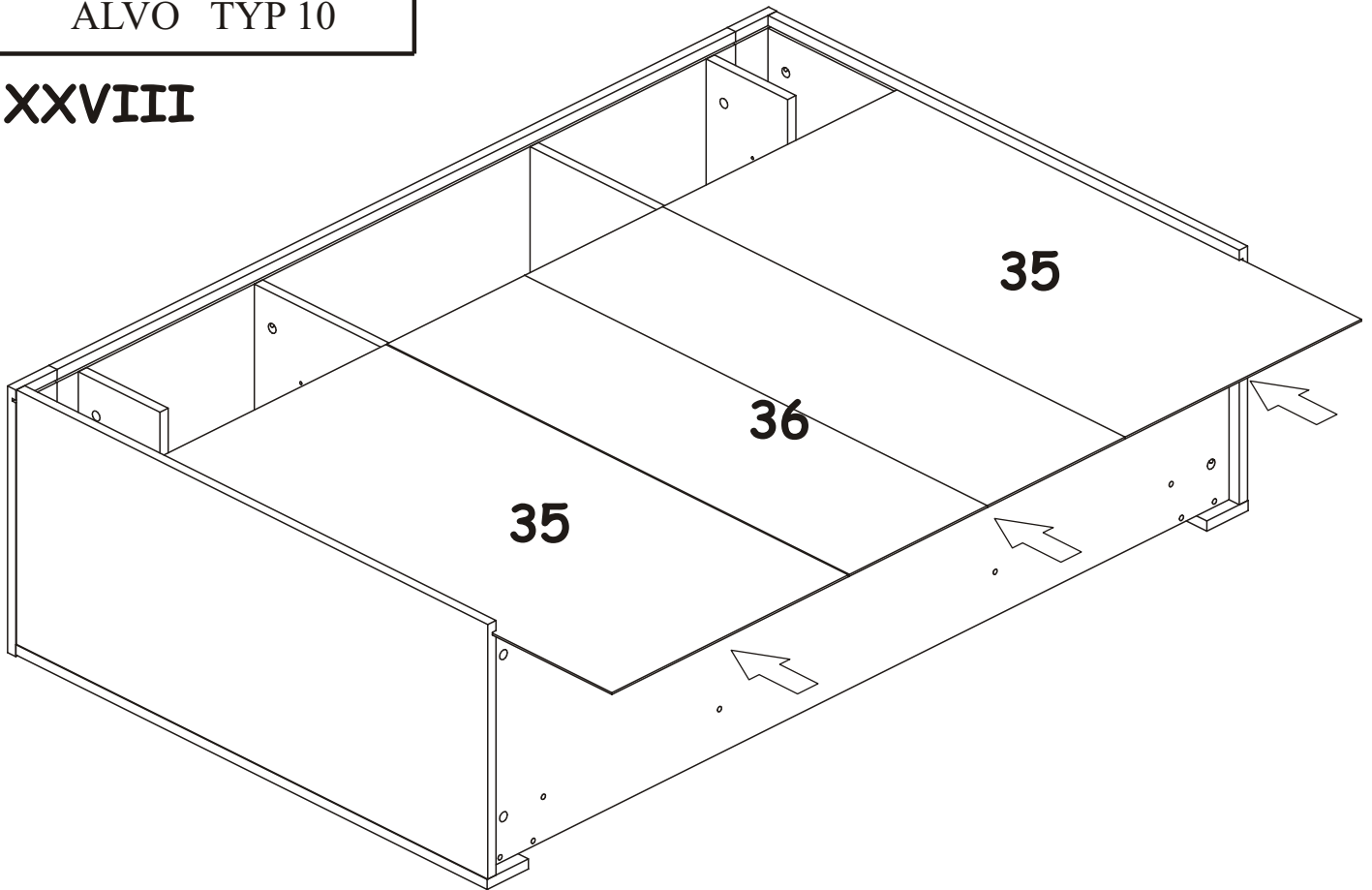
XXVI



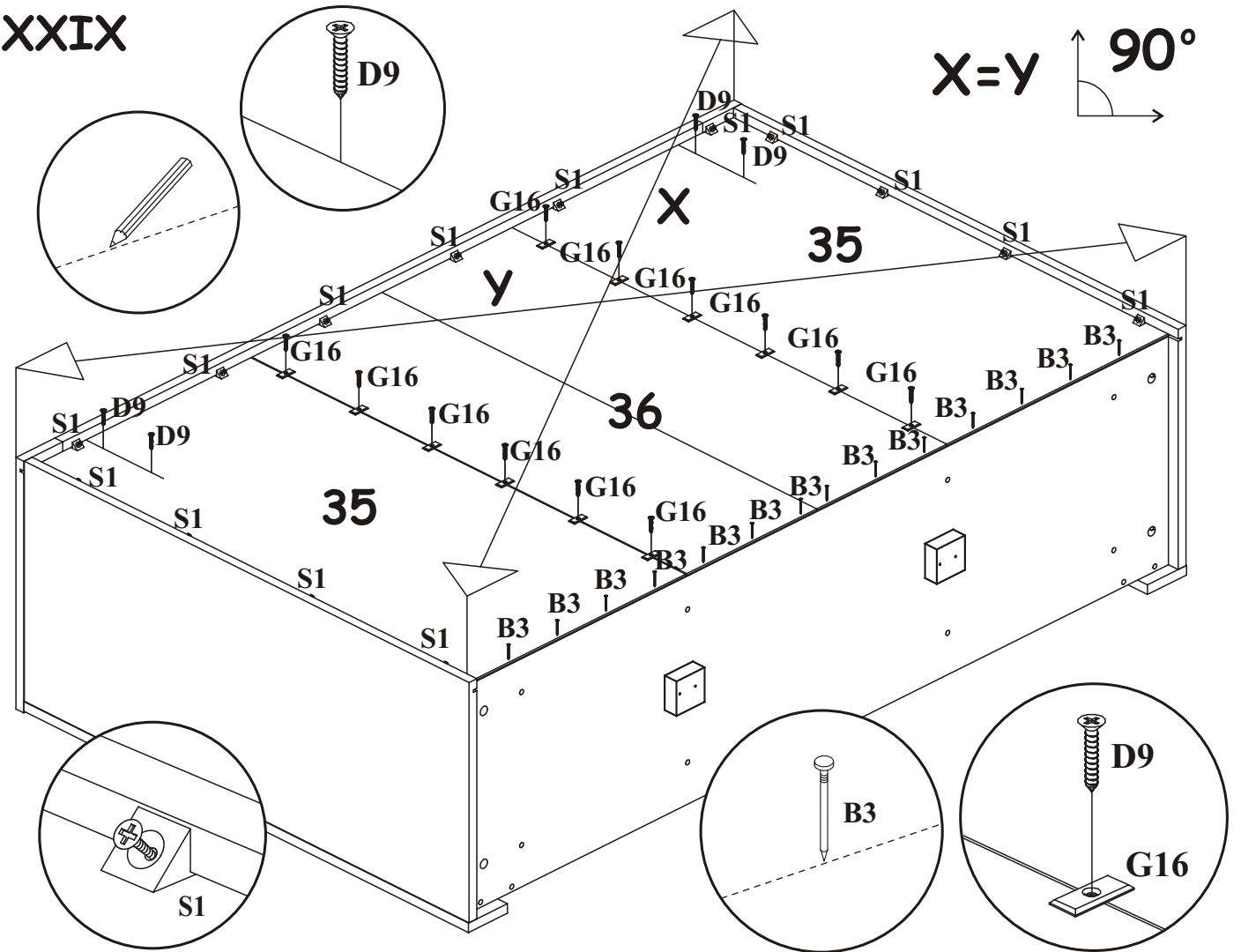
XXVII



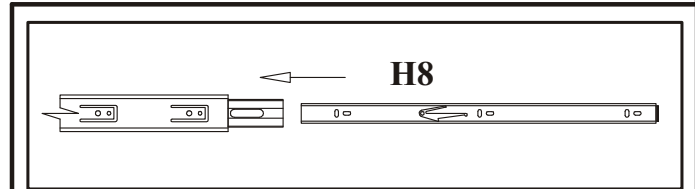
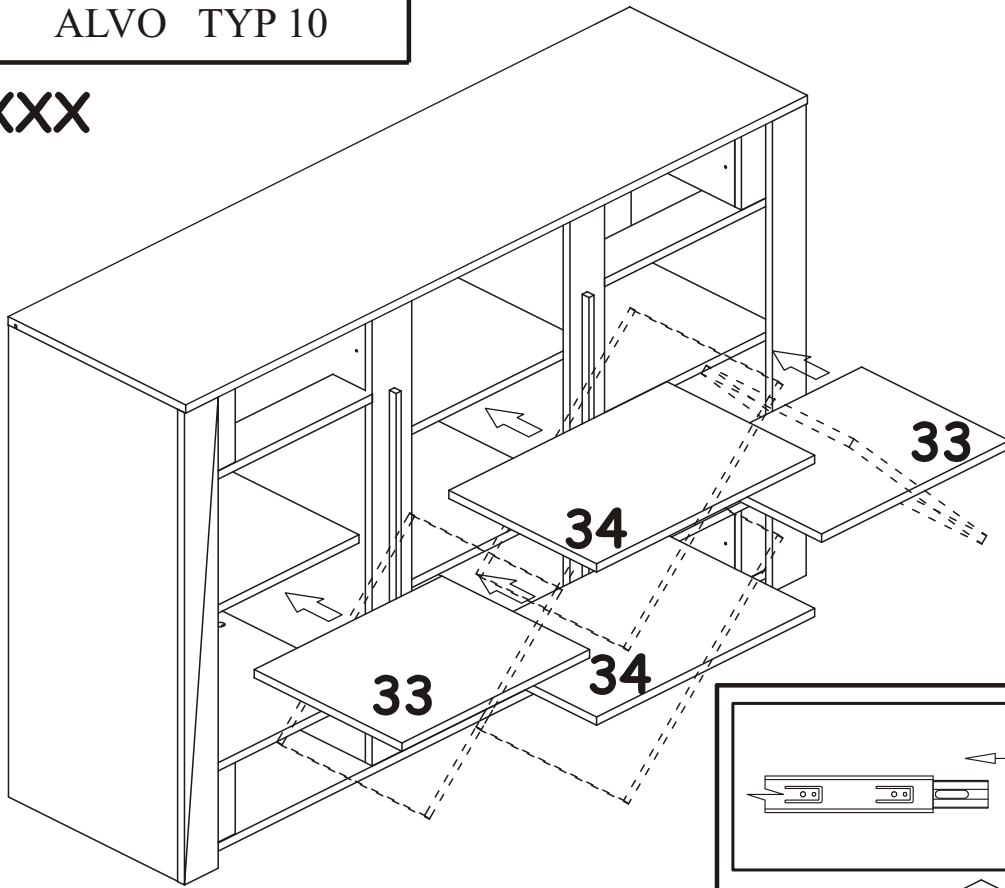
XXVIII



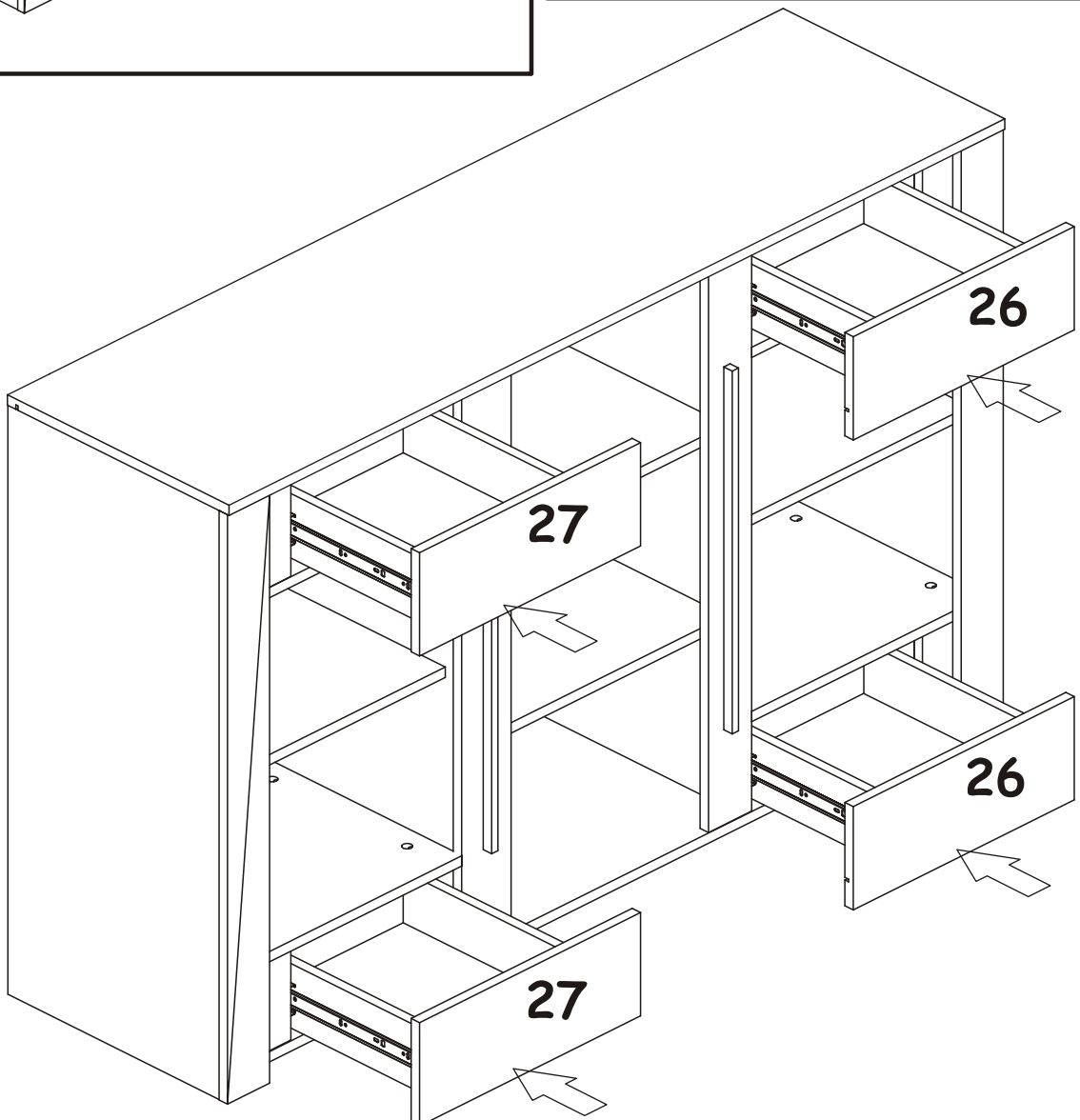
XXIX



XXX



XXXI



XXXII

