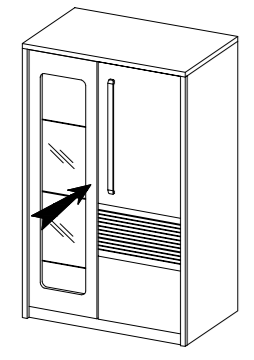
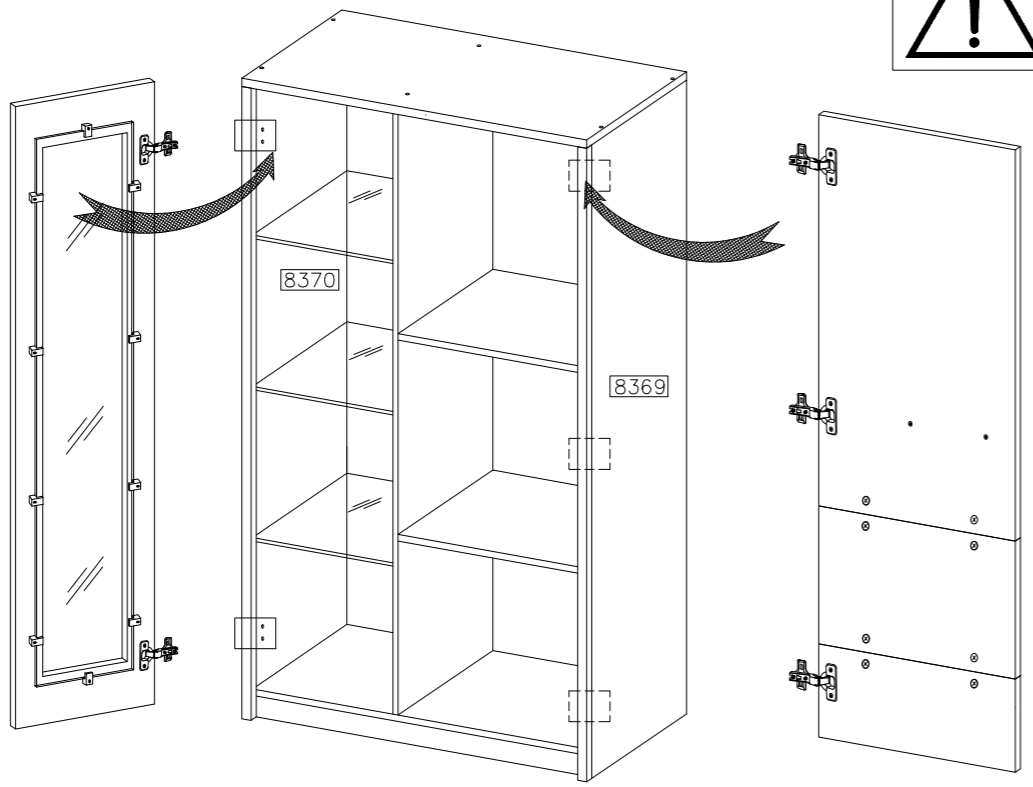
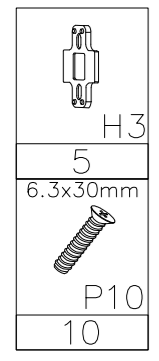
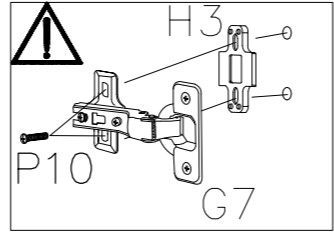


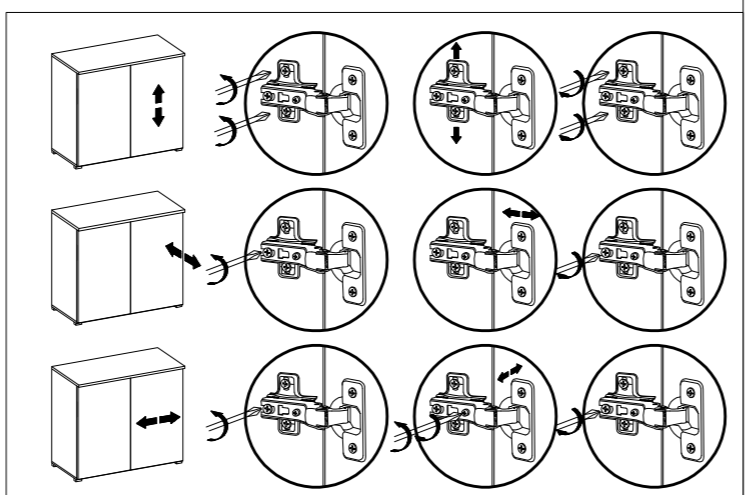
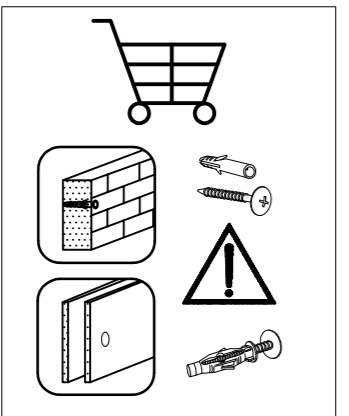
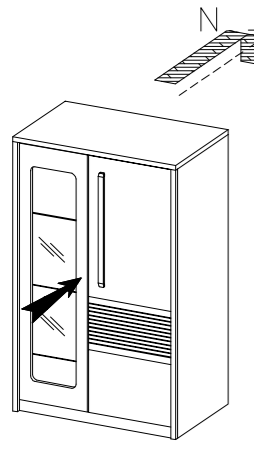
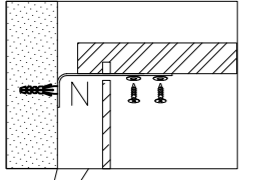
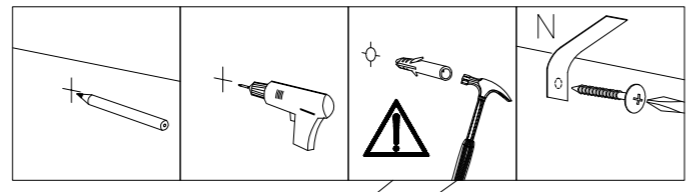
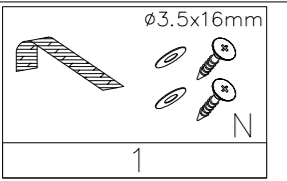
13



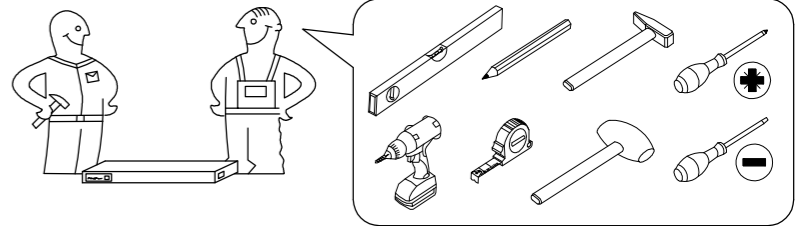
PUSH TO OPEN



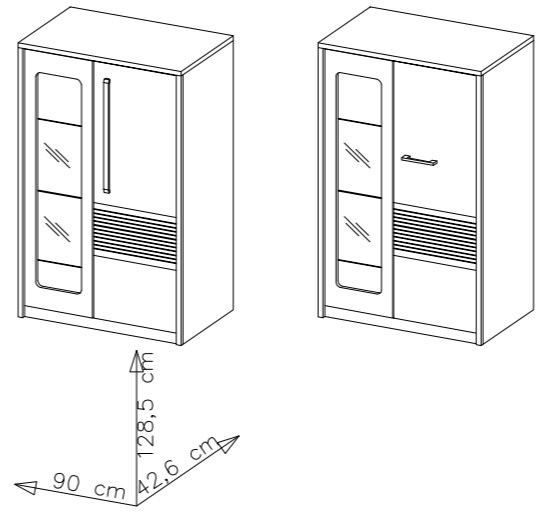
14



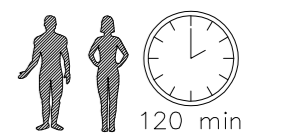
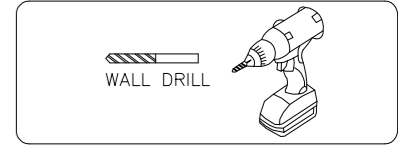
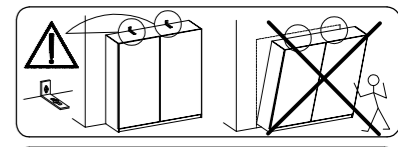
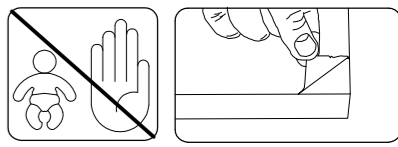
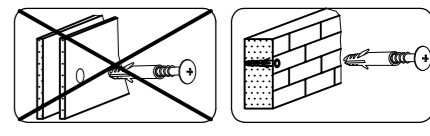
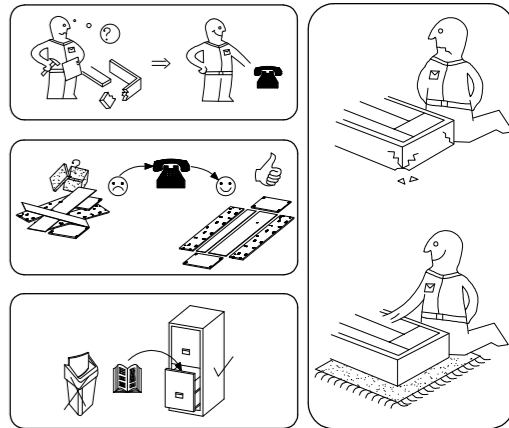
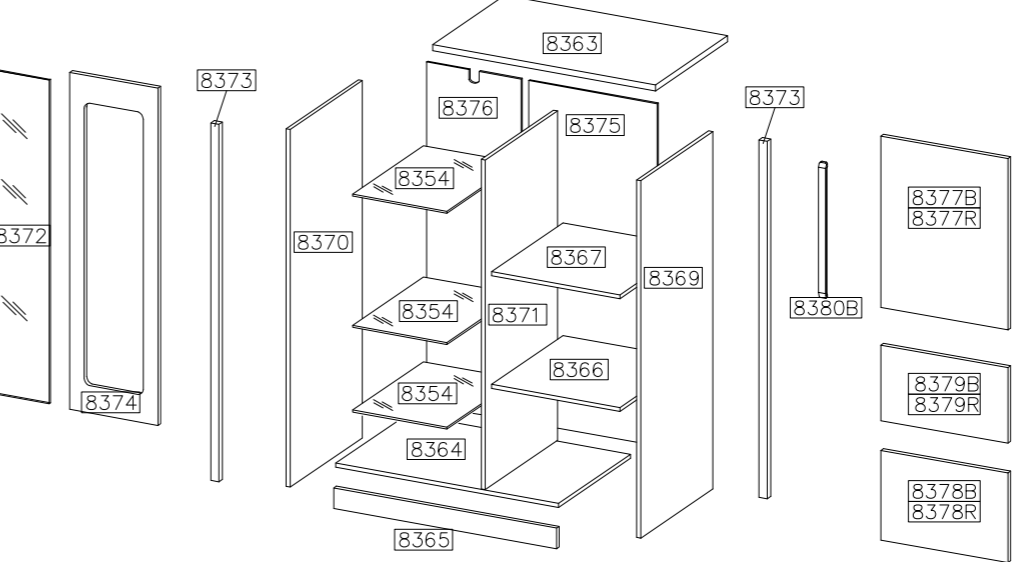
BIANCO/ROSSO ROS2a



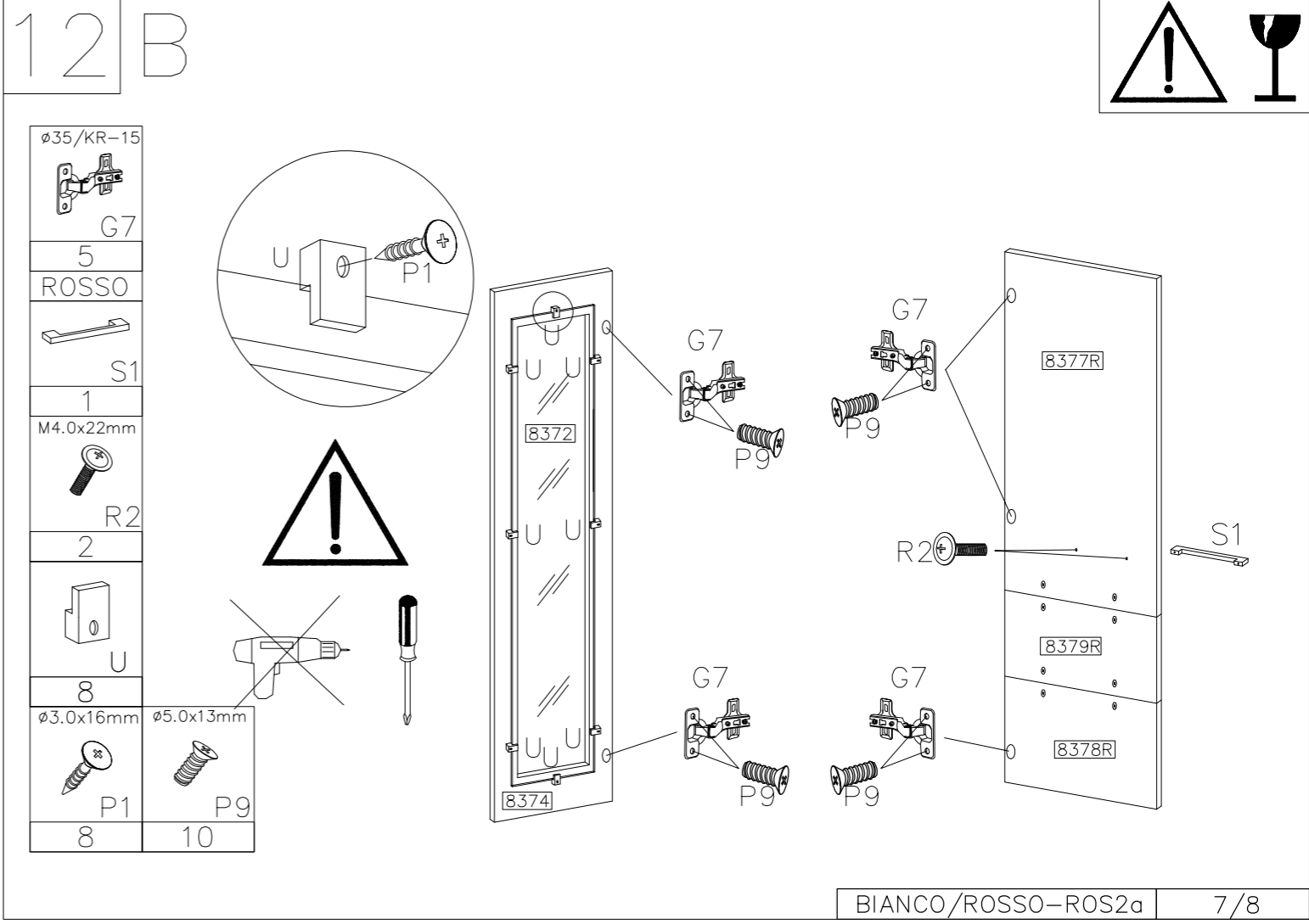
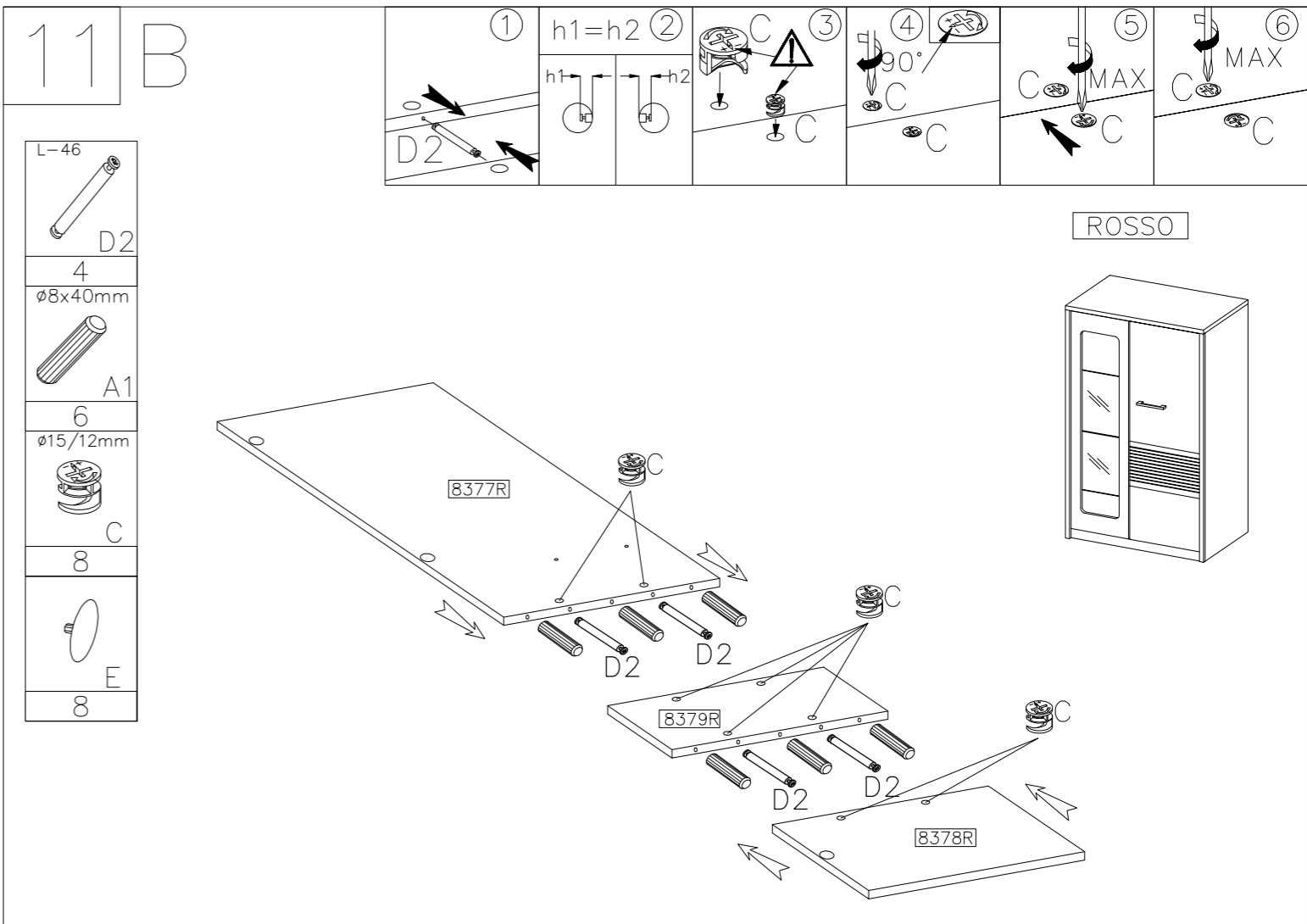
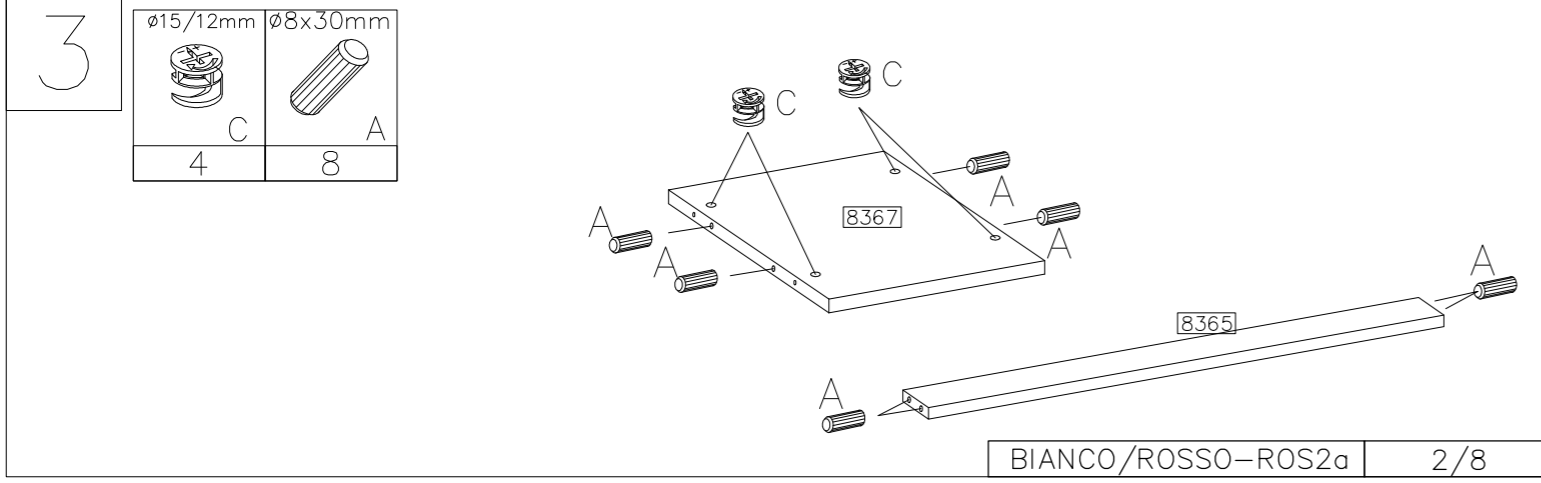
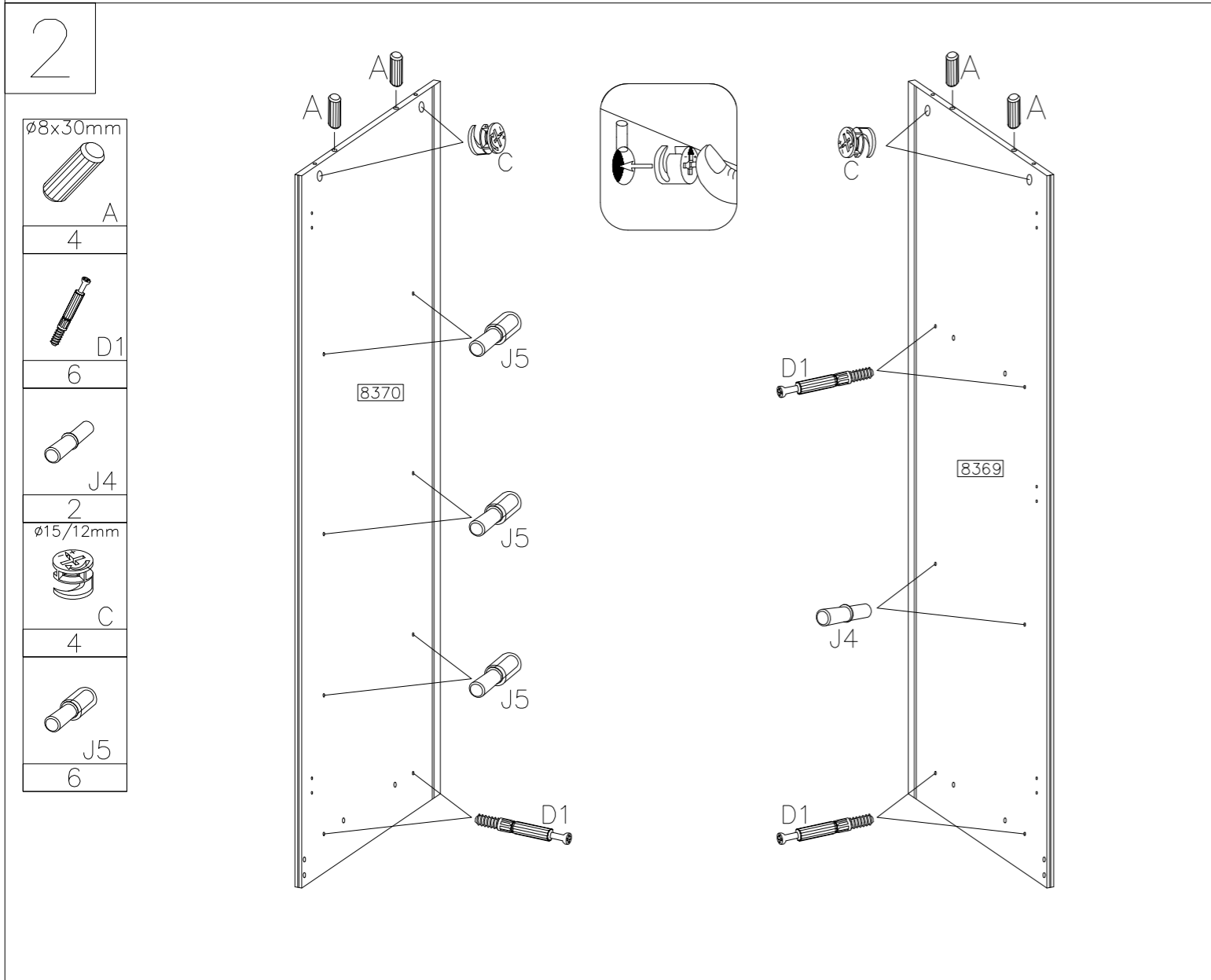
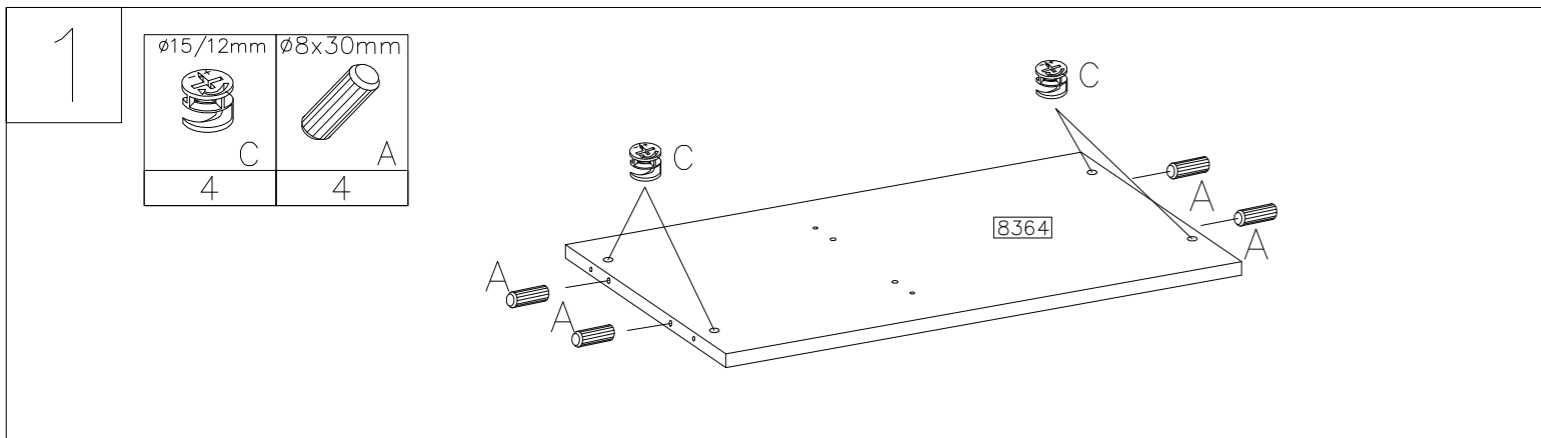
BIANCO ROSSO



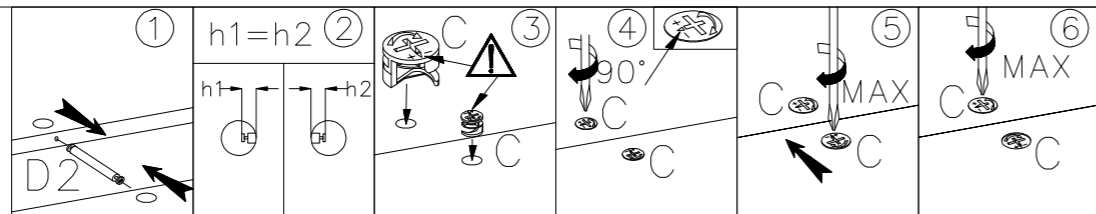
#	ART. NR	L	W	T	Q	Col.No
1	8363	900	424	25	1	1
2	8364	860	378	16	1	1
3	8365	860	60	16	1	1
4	8366	498	368	16	1	1
5	8367	498	378	16	1	1
6	8368	370	345	4	3	1
7	8369	1260	398	16	1	2
8	8370	1260	398	16	1	2
9	8371	1184	378	16	1	2
10	8372	1110	246	4	1	2
11	8373	1260	38	25	2	2
12	8374	1196	335	16	1	3
13	8375	1206	512	4	1	3
14	8376	1206	360	4	1	3
15	8377R	680	480	16	1	3
16	8378R	280	480	16	1	3
17	8379R	480	235	16	1	3
18	8377B	680	480	16	1	3
19	8378B	280	480	16	1	3
20	8379B	480	235	16	1	3
21	8380B	X	30	25	1	3



J1											
1	20	8	8	22	14	4	22	8	5	1	5
∅8x30mm	∅8x40mm	∅3.0x16mm	∅3.5x16mm	∅5.0x13mm	∅4.0x27mm		∅3.5x16mm		∅35/KR-15		
A	A1	B	C	D1	D2	E	E1	G7	F6	F1	
L	O	P1	P4	P9	R7	N	U	F8	R2		
8	1	22	4	10	2	1	8	10	2		
BIANCO	ROSSO										
S1	S1	A3	H3	P10	O11	J5	J4	V1	LED	V2	
1	1	10	5	10	1	12	4	1	3		

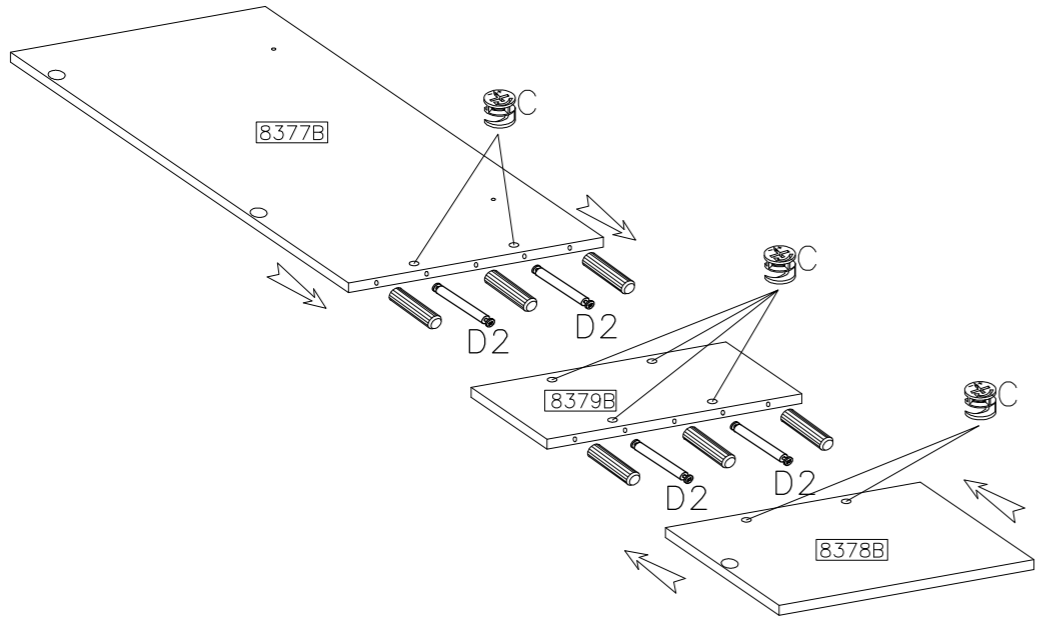
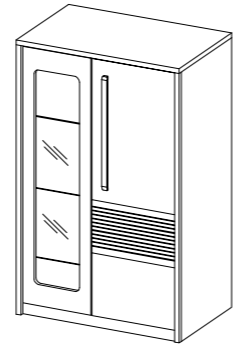


11 A



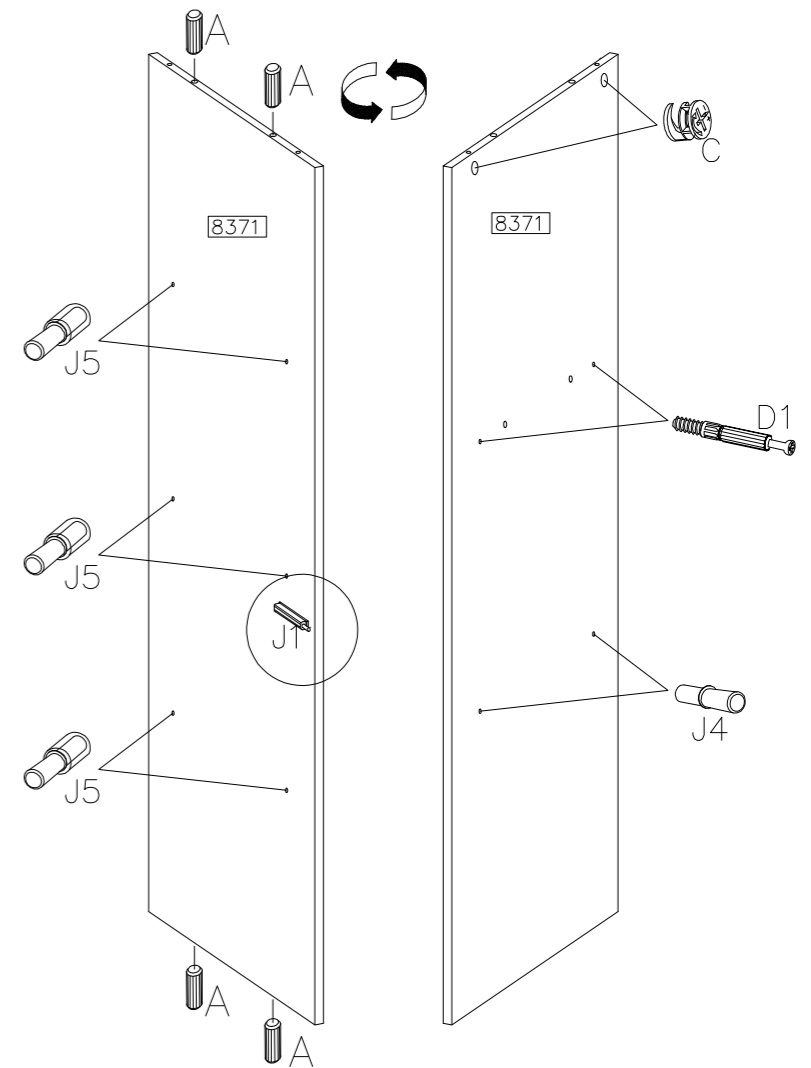
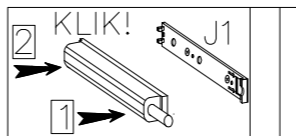
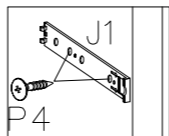
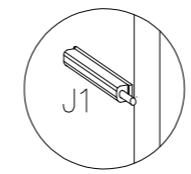
- L-46
D2
- 4
ø8x40mm
A1
- 6
ø15/12mm
C
- 8
E

BIANCO

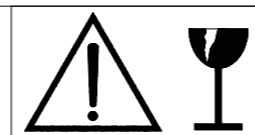


4

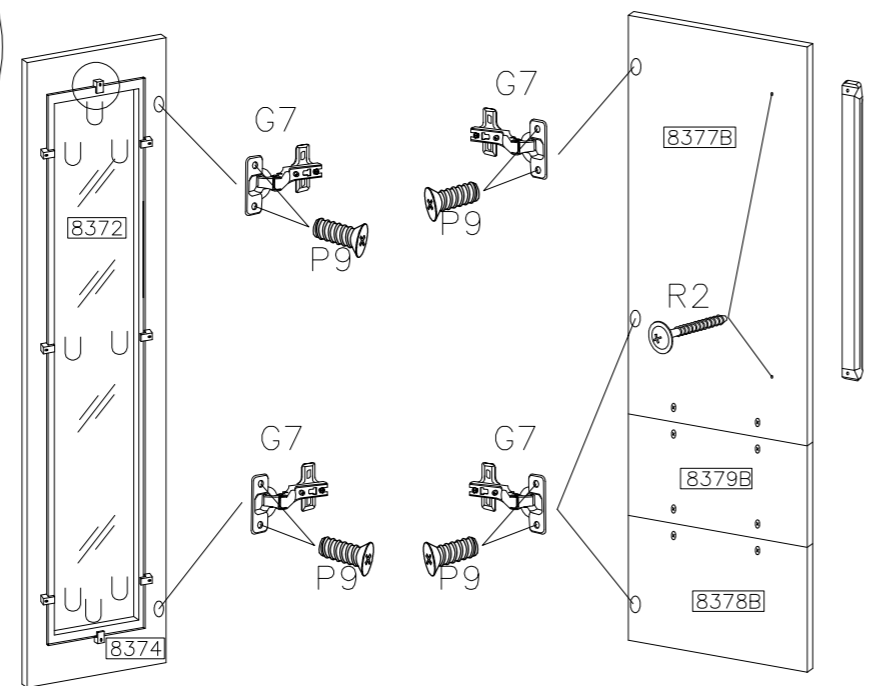
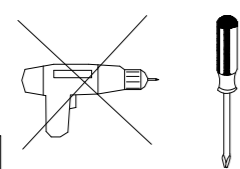
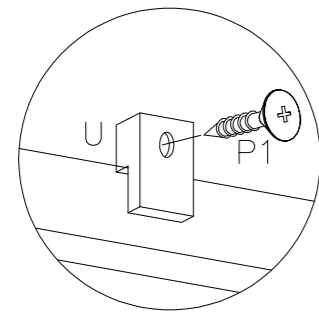
- | | | |
|-----------------|---------------|----|
| ø8x30mm
A | J4 | J5 |
| 4 | 2 | 6 |
| D1 | ø15/12mm
C | |
| 2 | 2 | |
| ø3.5x16mm
P4 | J1 | |
| 2 | 1 | |



12 A



- ø35/KR-15
G7
- 5
BIANCO
- S1
- 1
ø4.0x27mm
- R2
- 2
- U
- 8
- ø3.0x16mm ø5.0x13mm
P1 P9
- 8 10



5

- | | |
|---|----|
| B | E |
| 2 | 2 |
| O | E1 |
| 1 | 2 |

