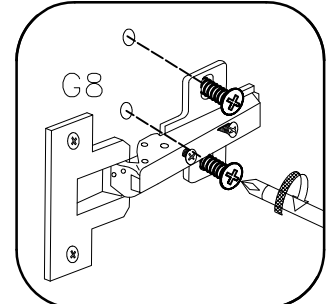
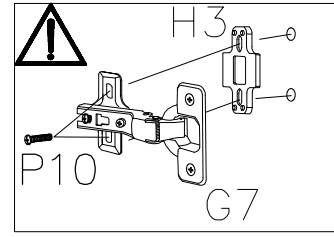
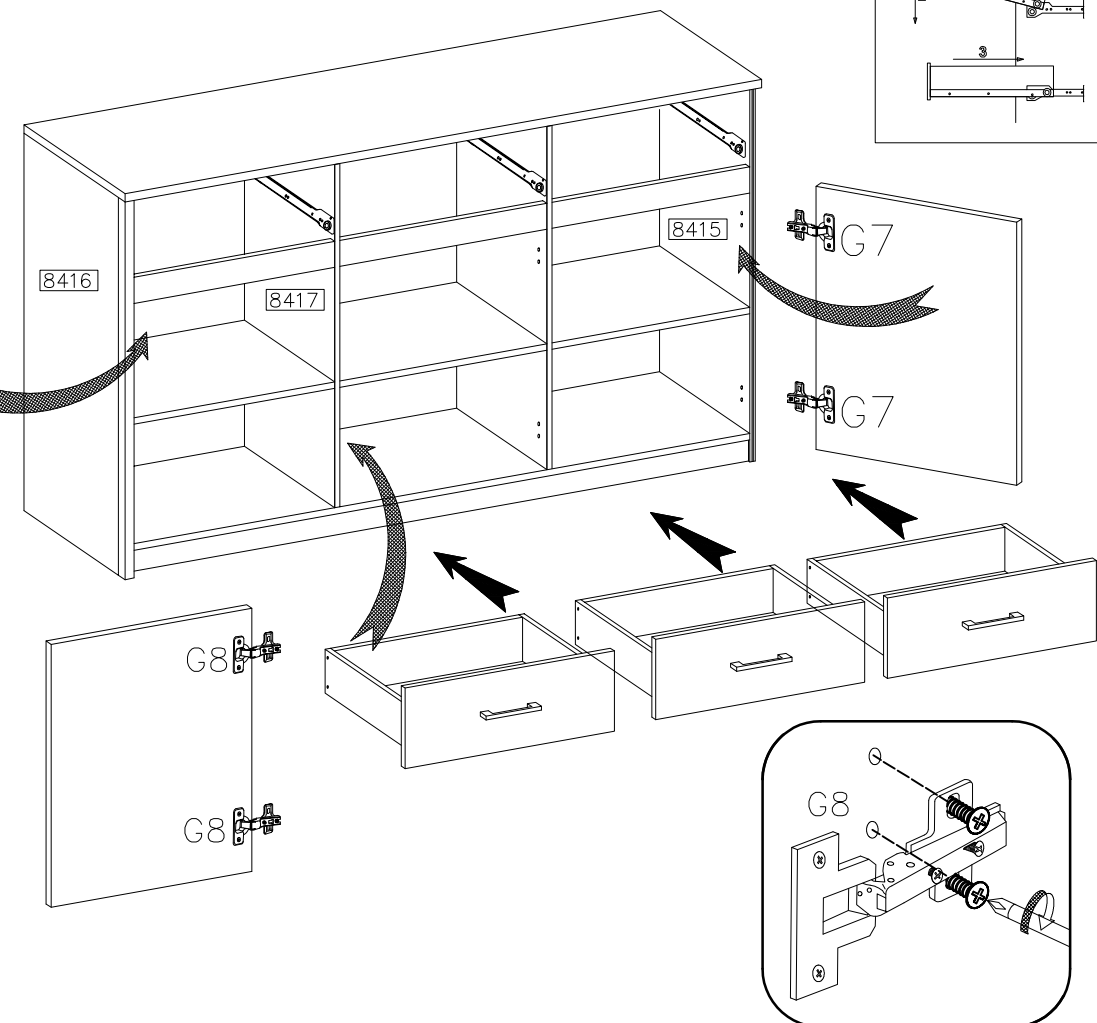
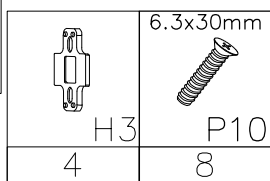
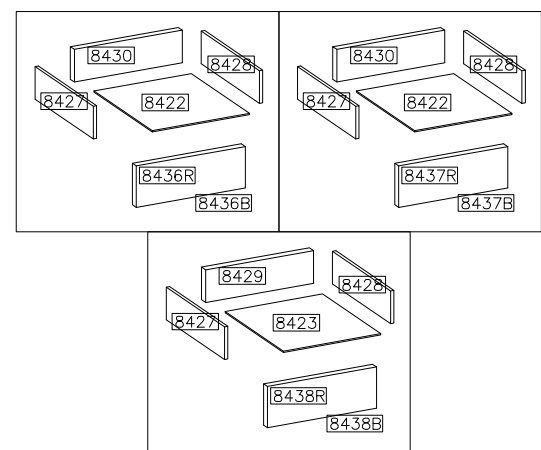
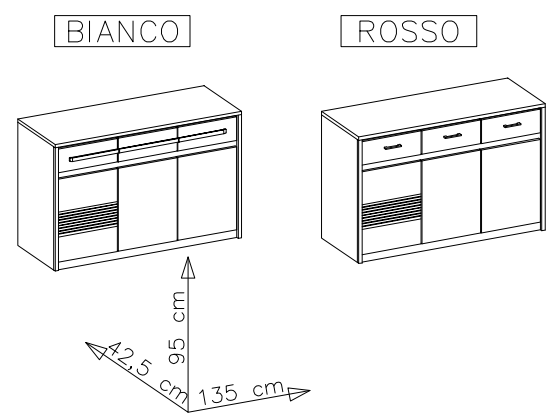
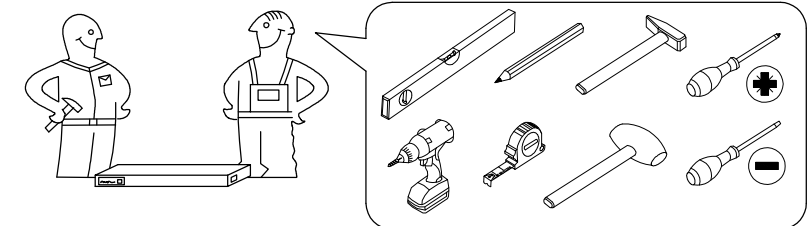


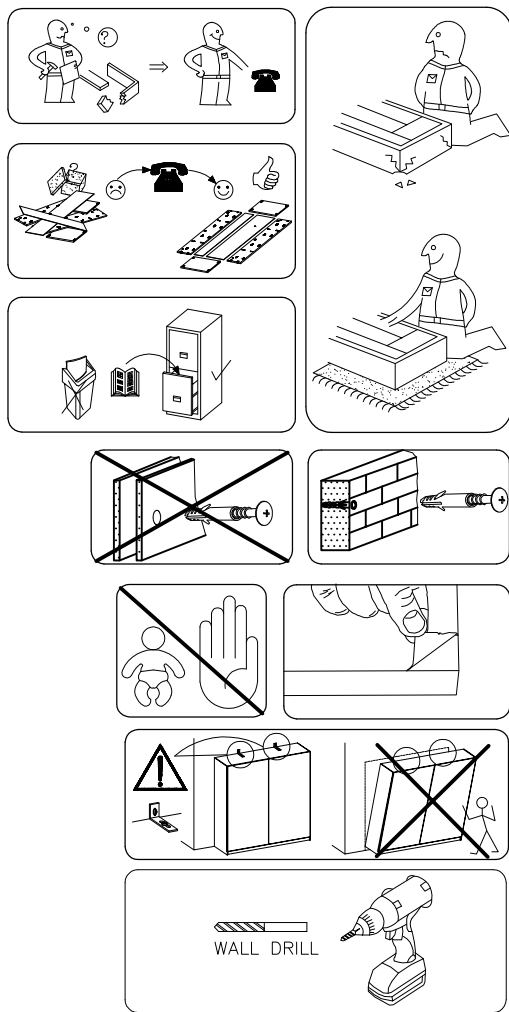
20



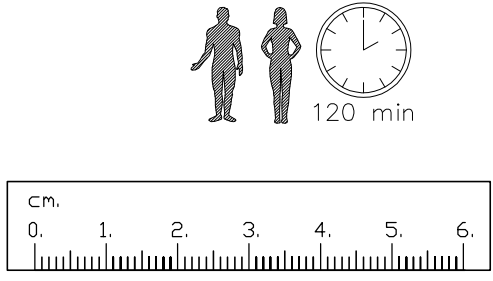
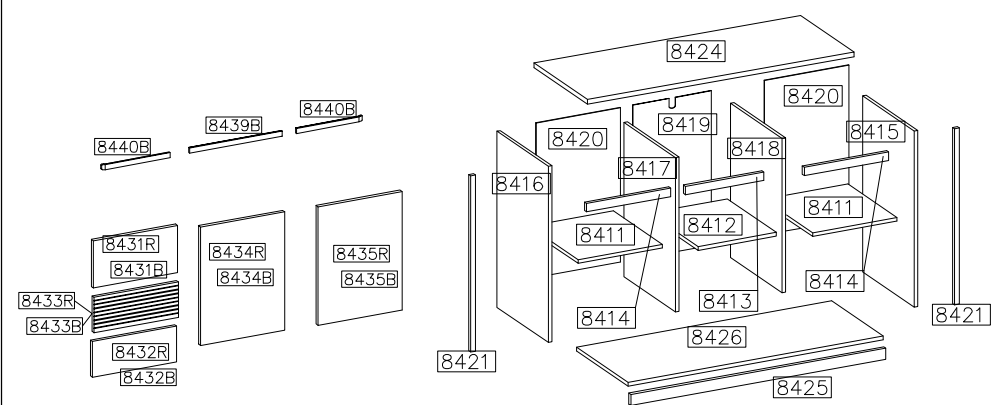
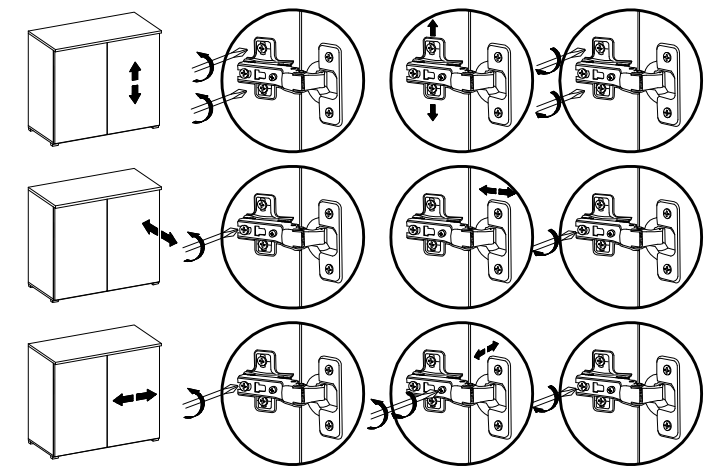
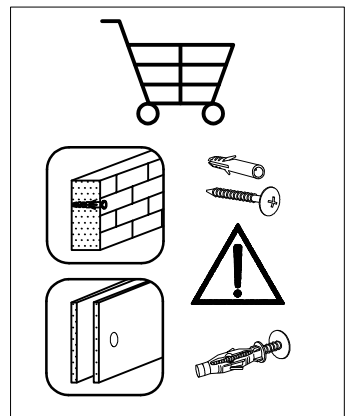
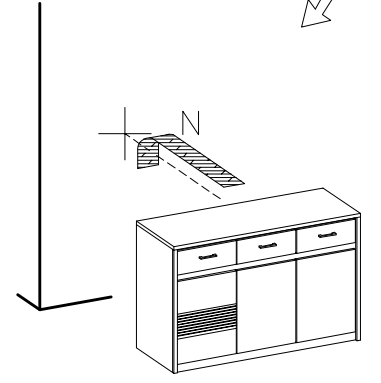
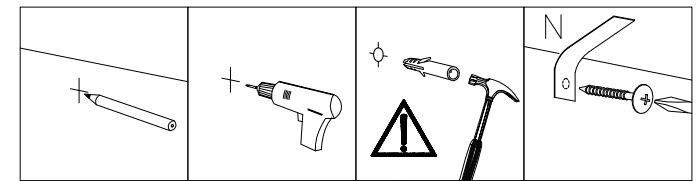
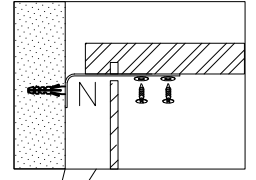
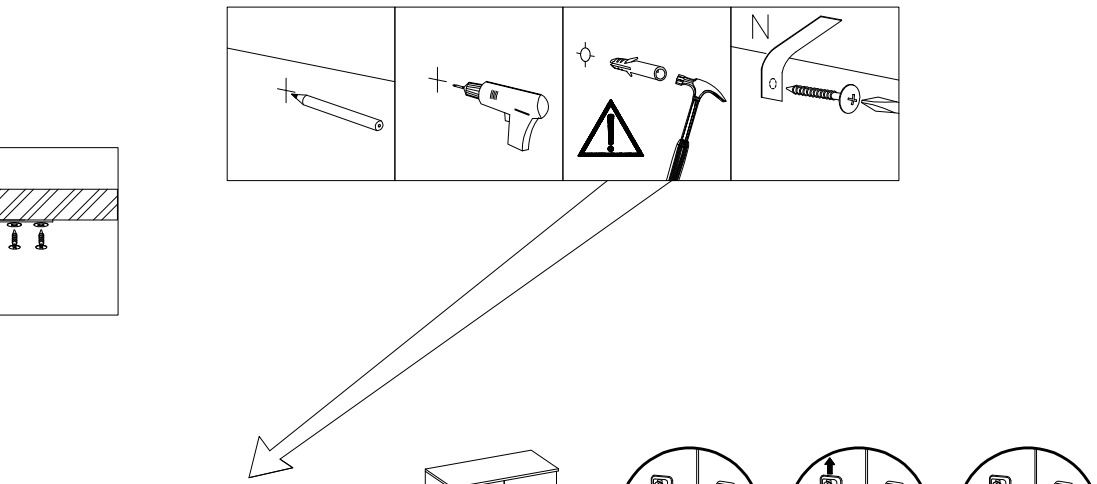
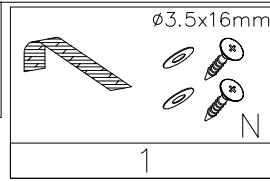
# BIANCO/ROSSO ROS12



#	ART. NR	L	W	T	Q	Col.No
1	8411	432	368	16	2	1
2	8412	412	368	16	1	1
3	8413	412	60	16	1	1
4	8414	433	60	16	2	1
5	8415	920	398	16	1	1
6	8416	920	398	16	1	1
7	8417	844	378	16	1	1
8	8418	844	378	16	1	1
9	8419	868	428	2,5	1	1
10	8420	868	446	2,5	2	1
11	8421	920	38	25	2	1
12	8422	390	358	2,5	2	2
13	8423	387	358	2,5	1	2
14	8424	1350	424	25	1	2
15	8425	1310	60	16	1	2
16	8426	1310	378	16	1	2
17	8427	350	140	16	3	2
18	8428	350	140	16	3	2
19	8429	356	140	16	1	2
20	8430	359	140	16	2	2
21	8431R	420	284	16	1	3
22	8432R	420	120	16	1	3
23	8433R	420	235	16	1	3
24	8434R	420	640	16	1	3
25	8435R	420	640	16	1	3
26	8436R	420	185	16	1	3
27	8437R	420	185	16	1	3
28	8438R	420	185	16	1	3
29	8431B	420	284	16	1	3
30	8432B	420	120	16	1	3
31	8433B	420	235	16	1	3
32	8434B	420	640	16	1	3
33	8435B	420	640	16	1	3
34	8436B	420	185	16	1	3
35	8437B	420	185	16	1	3
36	8438B	420	185	16	1	3
37	8439B	420	30	22	1	3
38	8440B	330	30	22	2	3


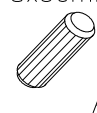


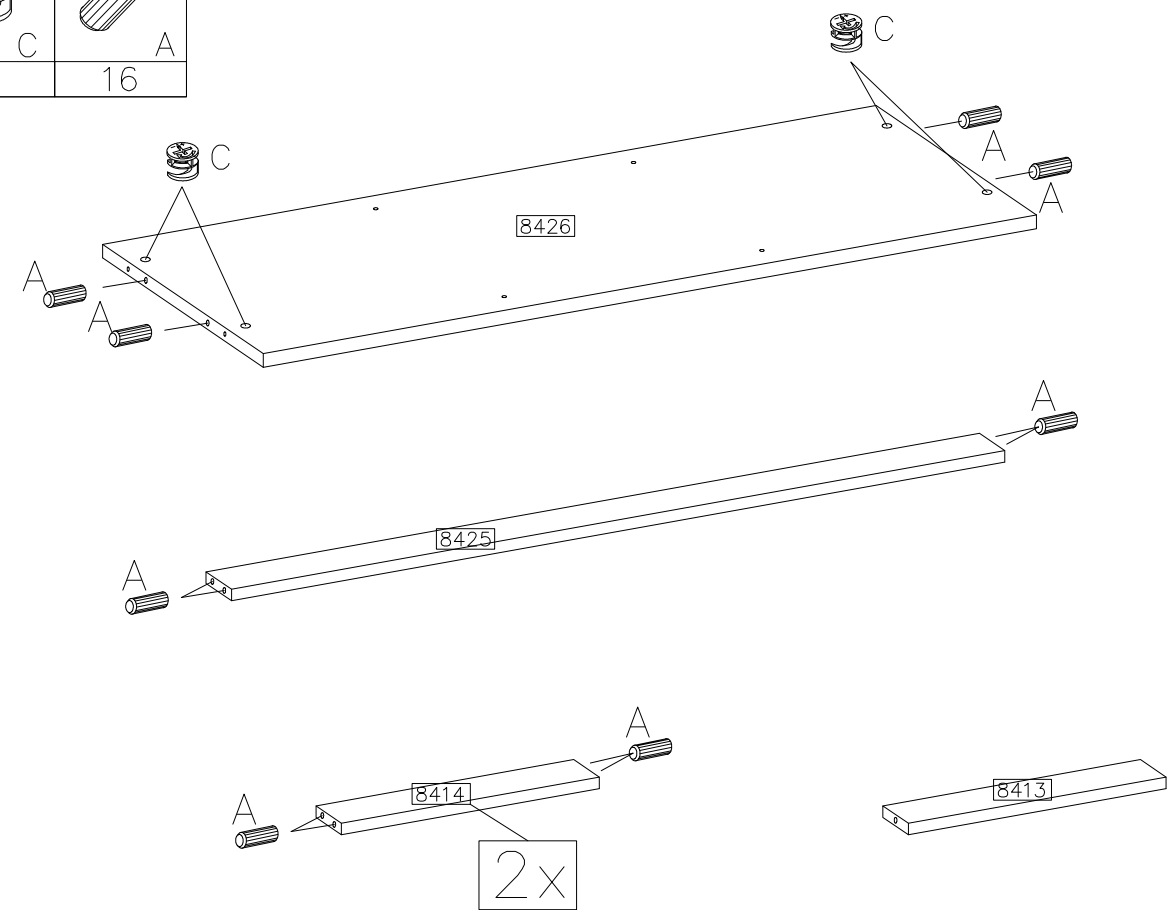
21



ø8x30mm A 40	ø8x40mm A1 6	ø15/12mm B 6	ø15/12mm C 26	ø5.0x13mm D1 18	ø5.0x13mm D2 4	ø3.5x16mm E 26	ø3.5x16mm E1 6	O11 2	F6 2	F1 6
L 9	O 1	ø3.0x16mm P1 45	ø3.5x16mm P4 4	ø5.0x13mm P9 20	ø3.5x16mm N 1	C2 4	L-350 PR 3SET	5.0x30mm P7 4	U 12	
BIANCO S1 3	ø4.0x27mm R7 6	ROSSO S1 3	M4.0x22mm R2 6	A3 10	H3 4	6.3x30mm P10 8	ø35/KR-15 G7 4	ø35/KR-8 G8 2	J4 12	F8 18

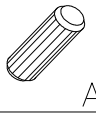
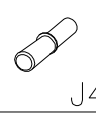



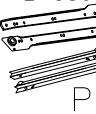

1

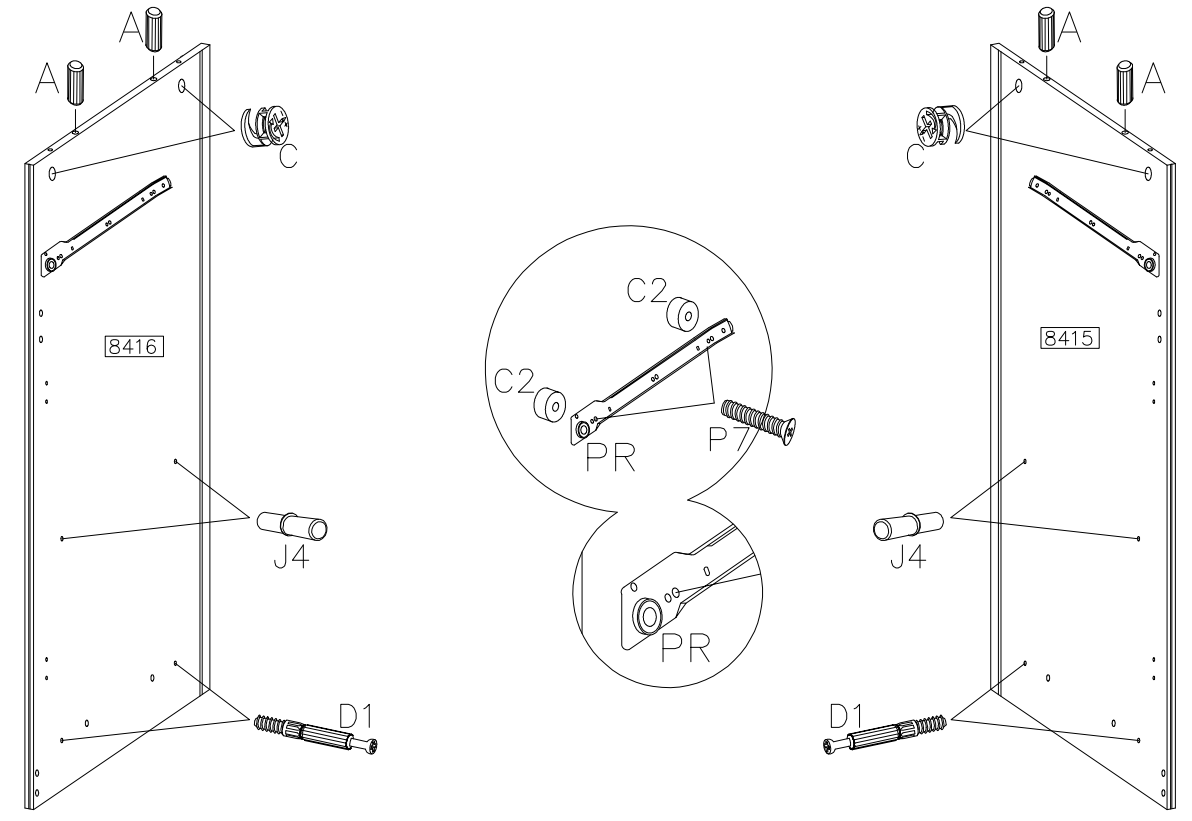
 C 4	 A 16
--	---




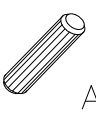

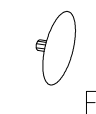
2x

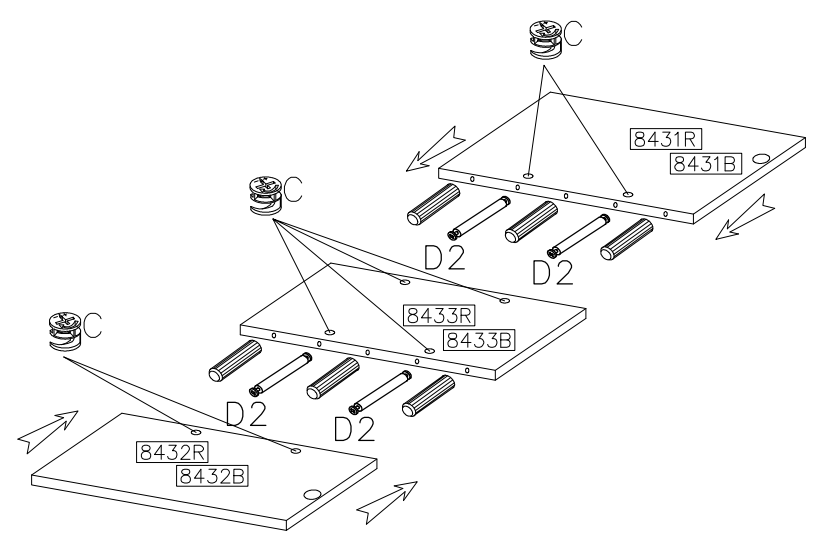
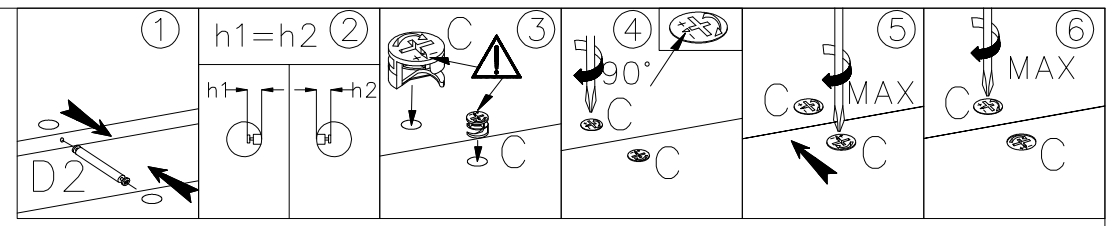
2

 A 4	 J4 4
 D1 4	 C 4
 C2 4	 PR 1SET
 P7 4	

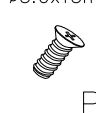


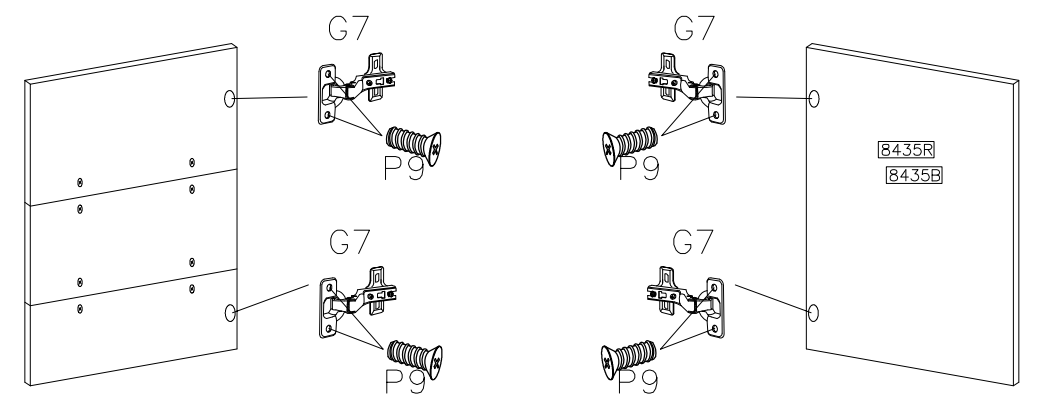
18


 D2 4
 A1 6
 C 8
 E 8




19

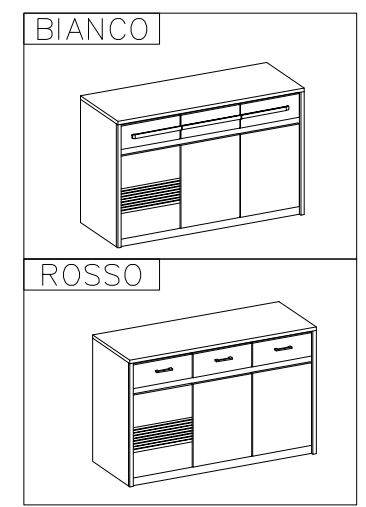
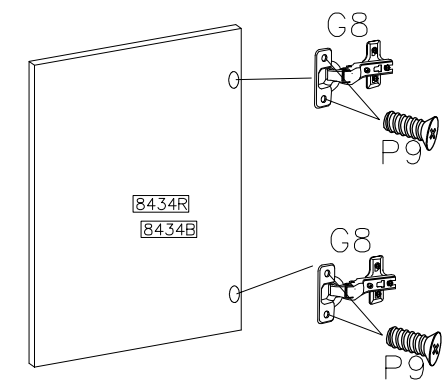
 P9 12
---



 G7 4
--



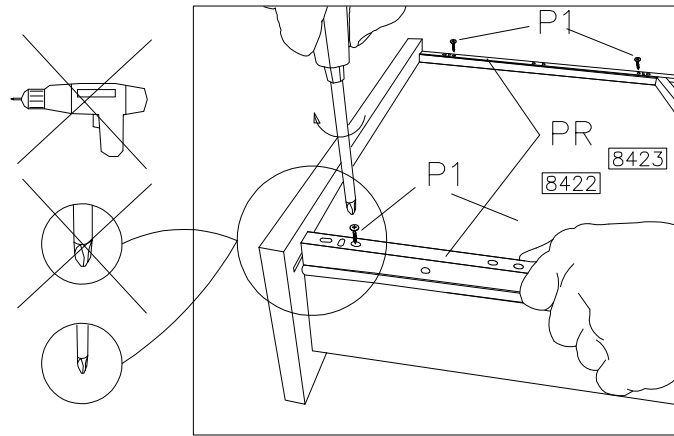
 G8 2
--



16

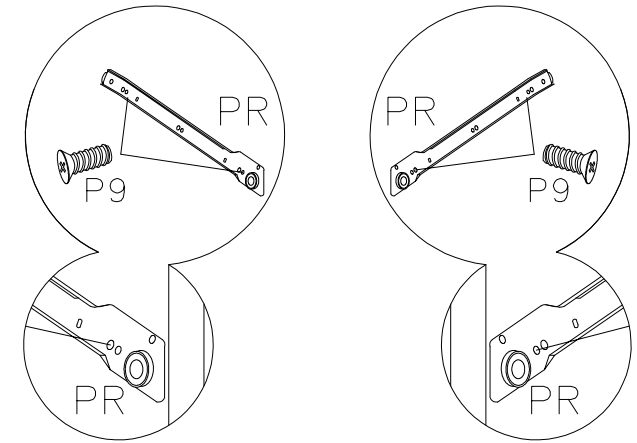
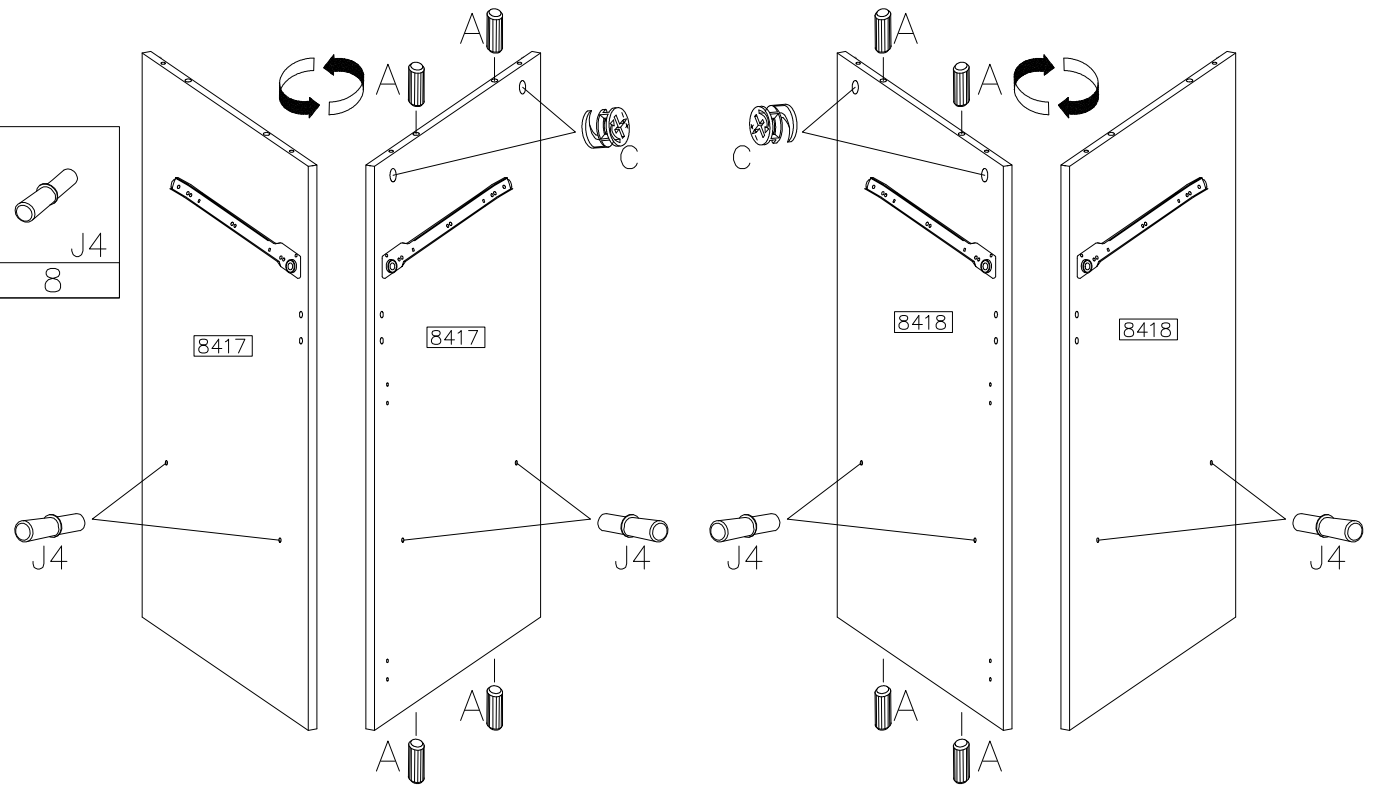
L-350 PR 3SET	∅3.0x16mm P1 12
---------------------	-----------------------

3x



3

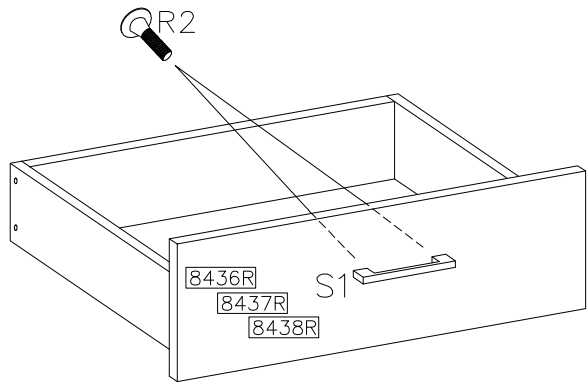
∅15/12mm C 4	J4 8
∅8x30mm A 8	L-350 PR 2SET
∅5.0x13mm P9 8	



17

A

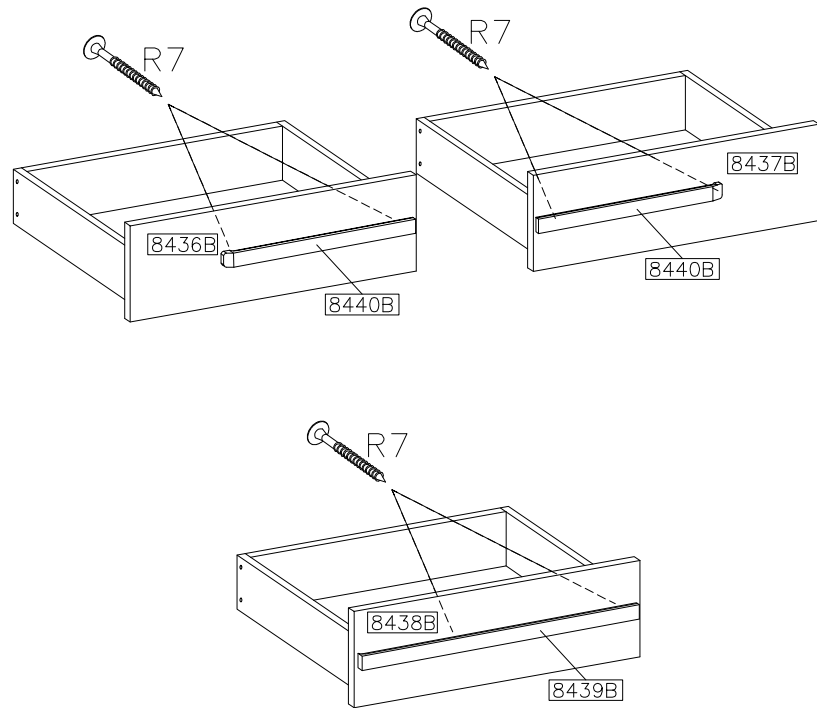
ROSSO S1 3	M4.0x22mm R2 6
------------------	----------------------



17

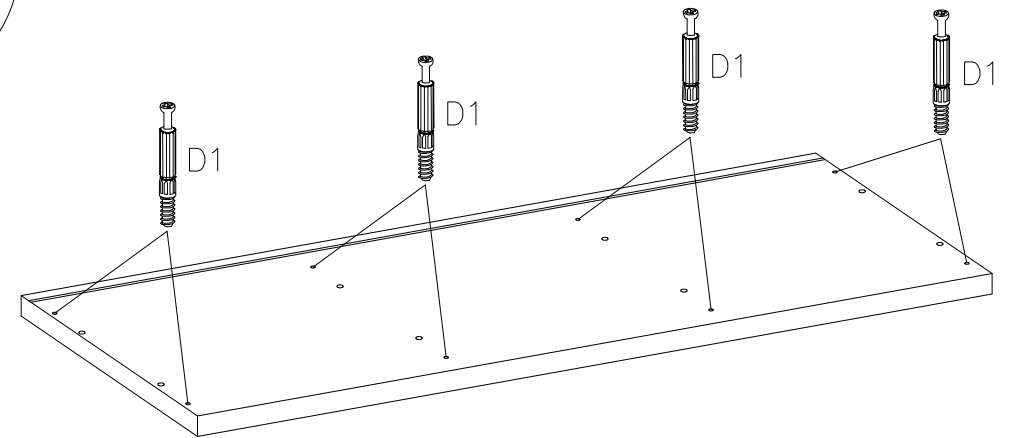
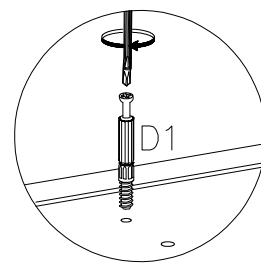
B

BIANCO S1 2	∅4.0x27mm R7 4
-------------------	----------------------



4

D1 8
---------



5

	B
6	
E1	O
6	1

6

7

E
4

BIANCO/ROSSO-ROS12 4/10

12

3x
Ø8x30mm
A
12
Ø15/12mm
C
6
D1
6

14

E
6

BIANCO/ROSSO-ROS12 4/10

13

U
12

3x
----

15

Ø3.0x16mm
P1
15

BIANCO/ROSSO-ROS12 7/10