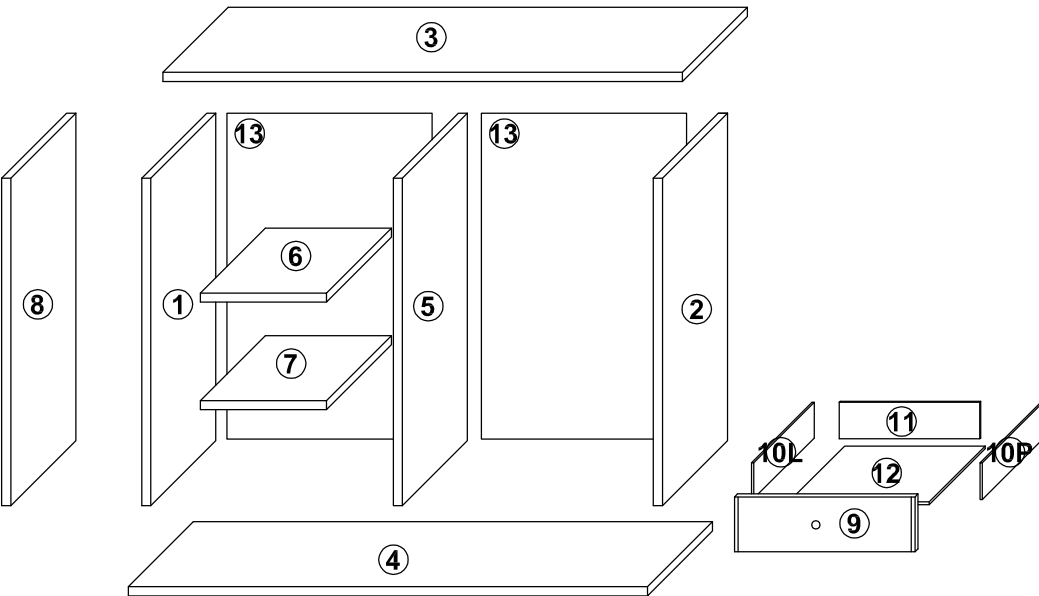
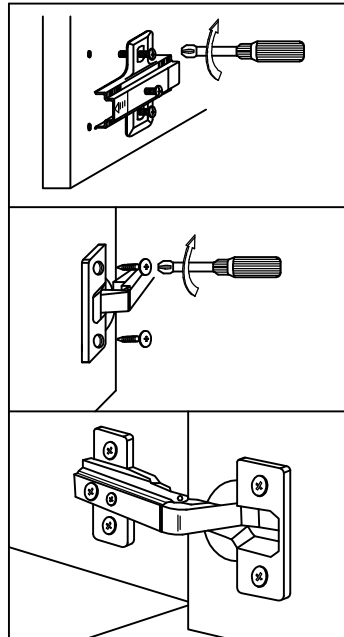
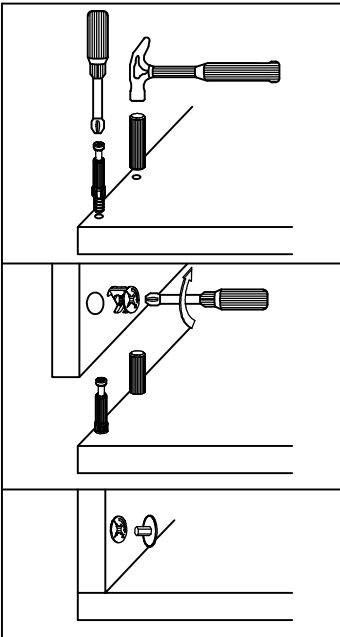
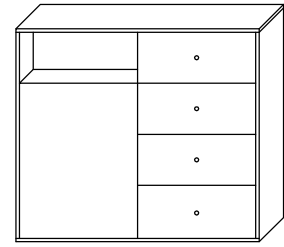
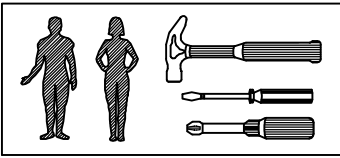
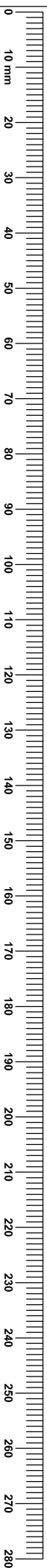


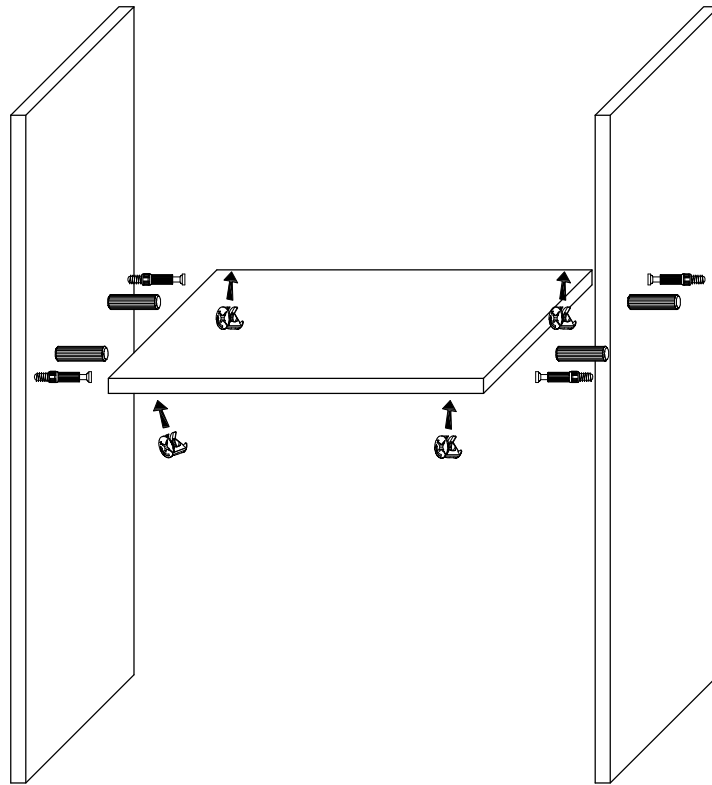
# MIX - 5



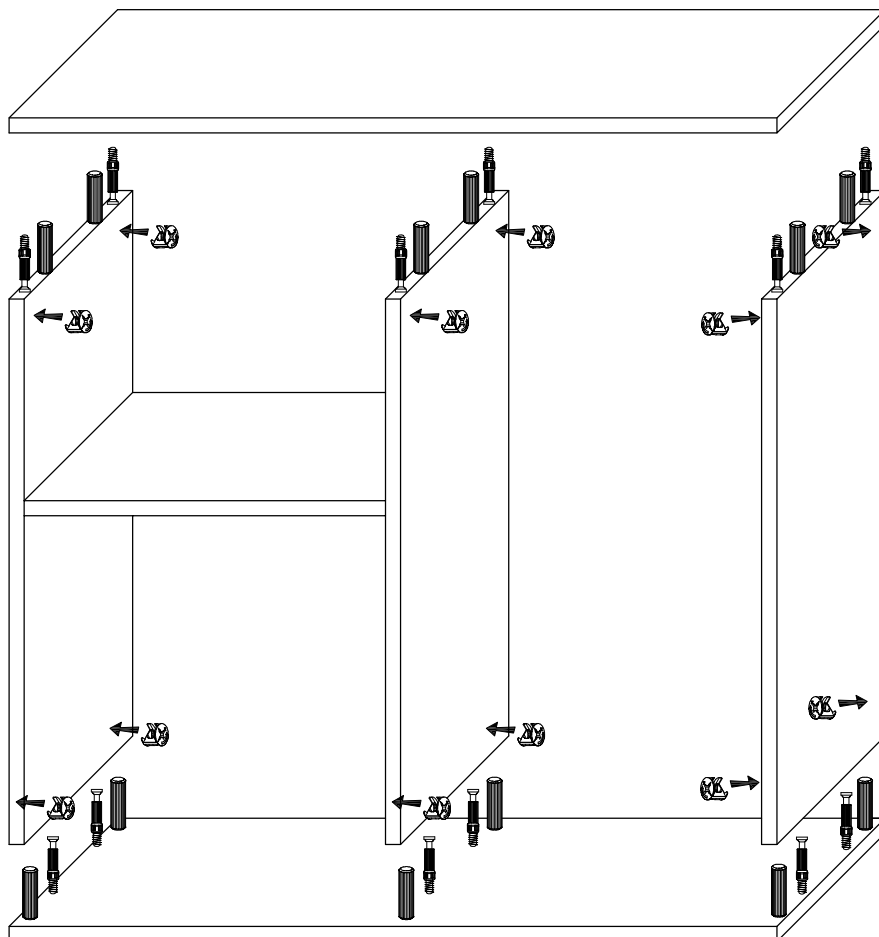
TM	MM	ZM	8x30	KLEJ	KP	E5x13	W3,5x16	U1
16	16	16	56	4	8	16	16	4
W4x27	PP	ZR	PZR	W4x16	NN	W4x20	STB	
4	4	2	2	4	5	10	12	



1



2



3

