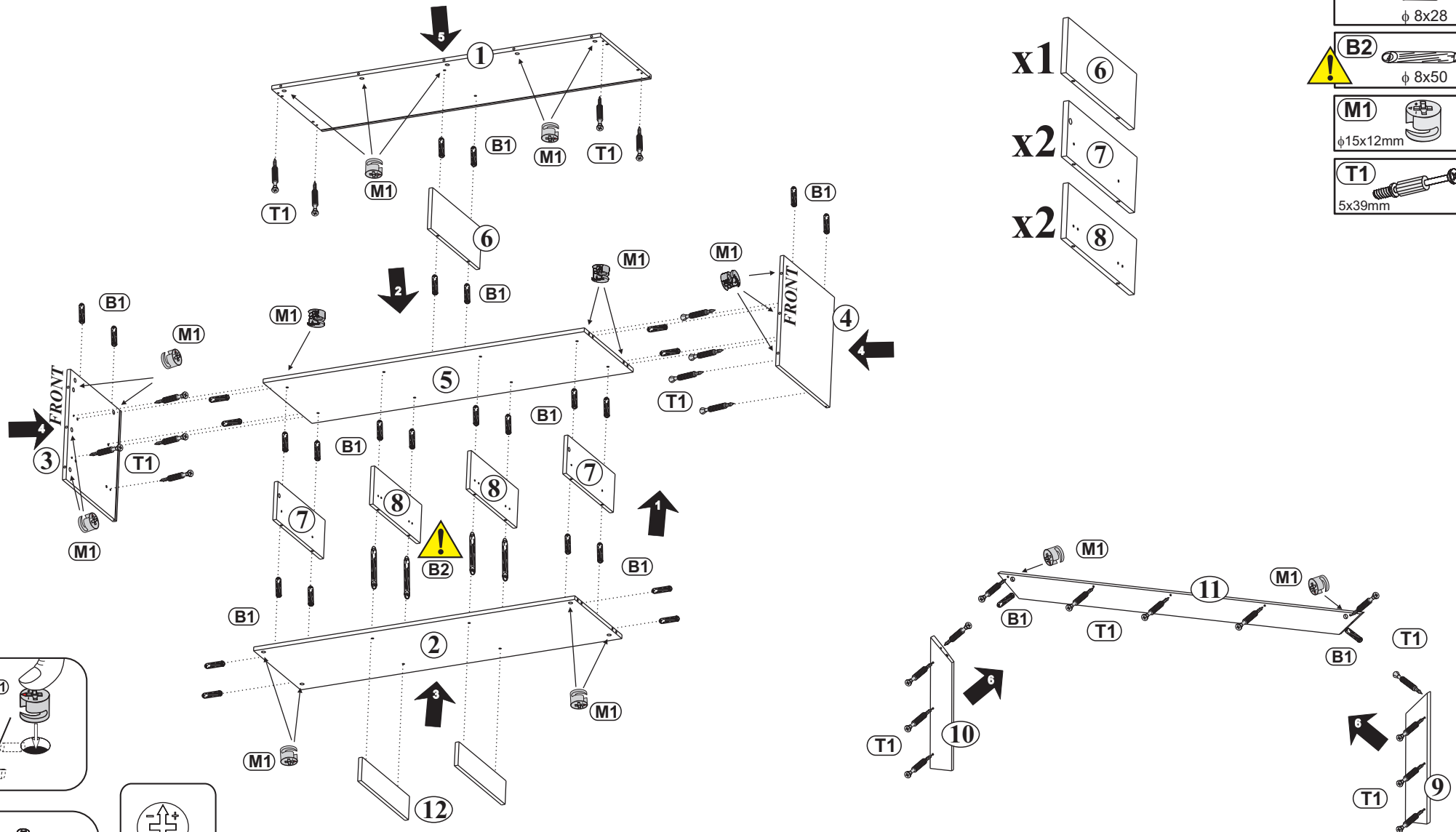
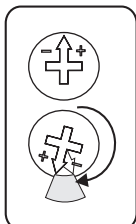
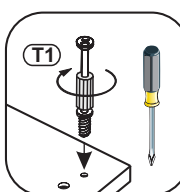
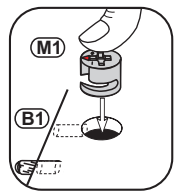


1

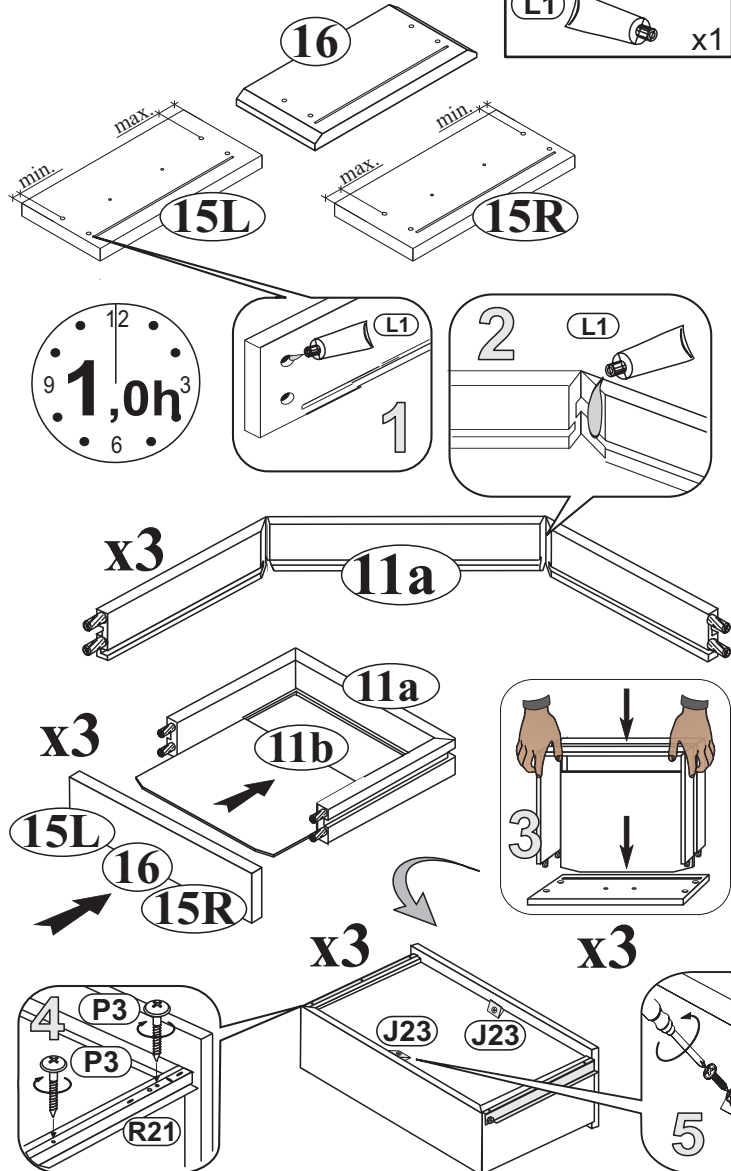
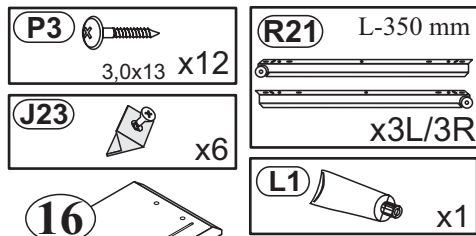


- B1** ϕ 8x28 x30
- B2** ϕ 8x50 x4
- M1** ϕ 15x12mm x25
- T1** 5x39mm x25

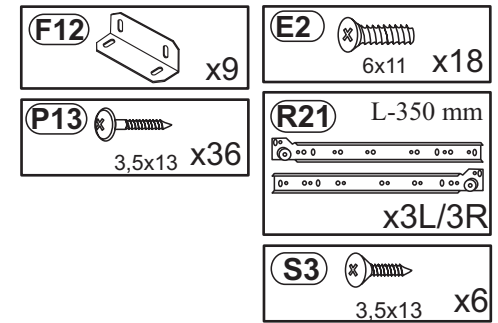
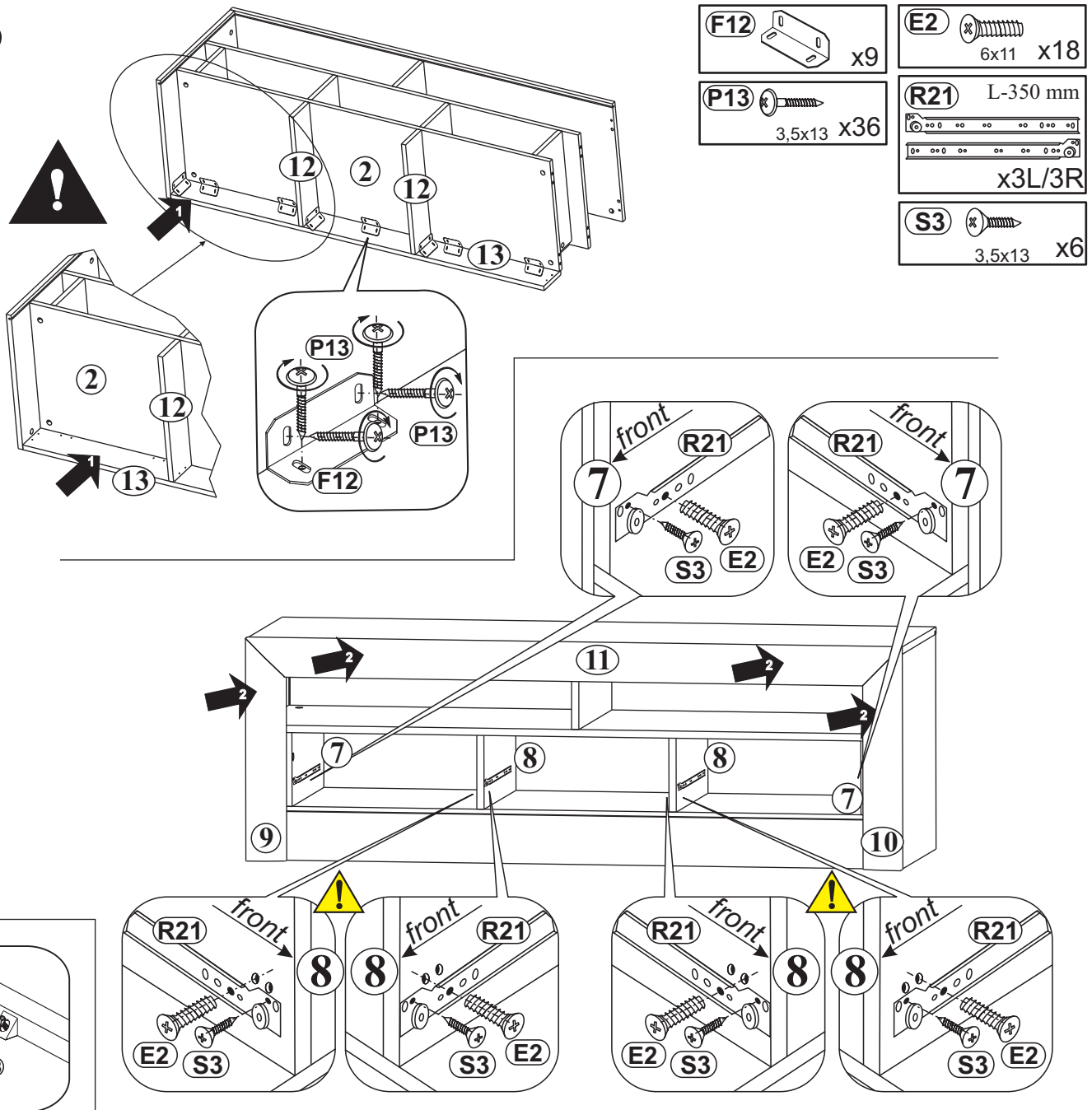
- x1 **6**
- x2 **7**
- x2 **8**



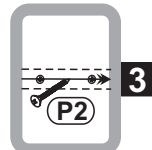
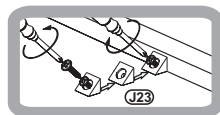
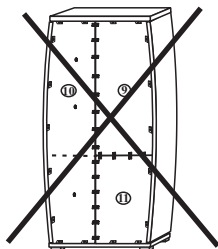
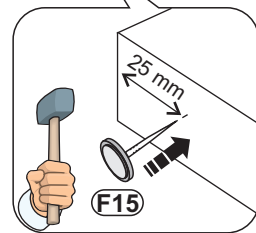
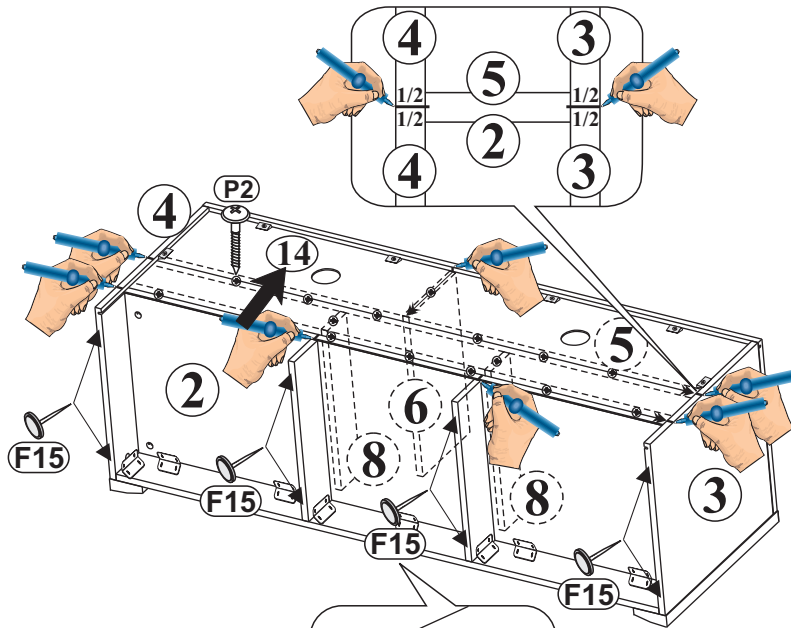
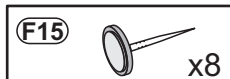
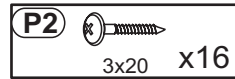
2



3



4



5

