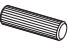
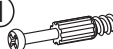










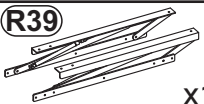

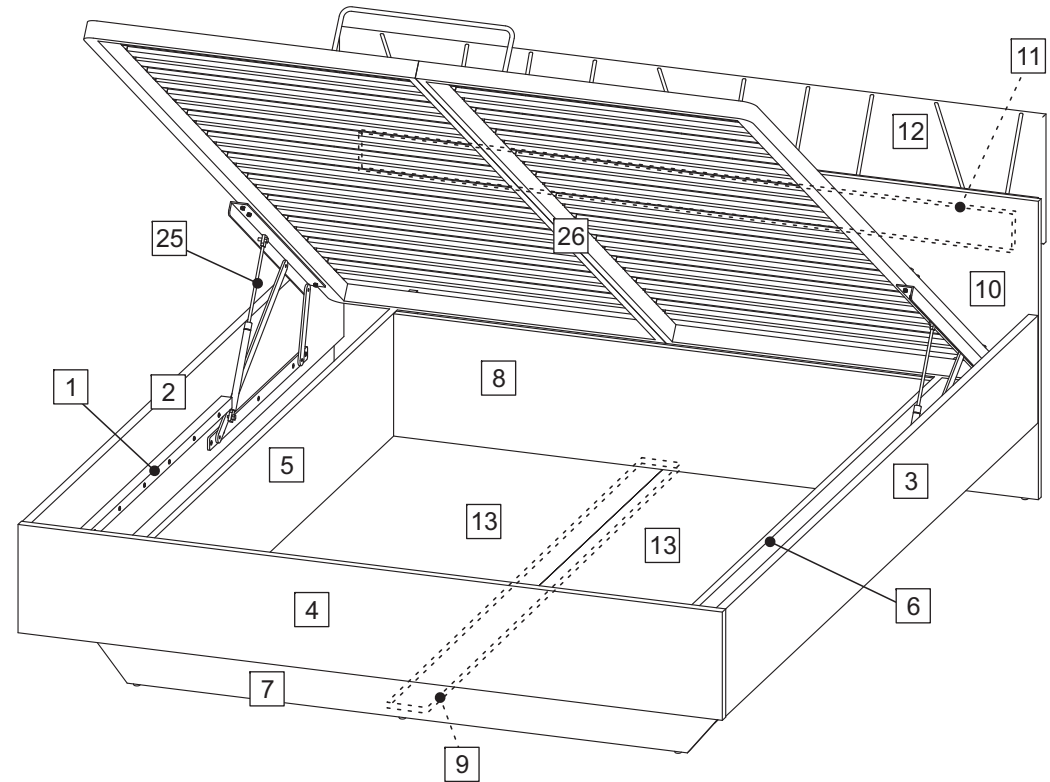


- B1**  ϕ 8x28 x30
- T1**  x17
- M1**  x17
- C2**  ϕ 20 x4
- K2**  7x70 x8
- F15**  x10
- P2**  3x16 x8
- P7**  4x40 x12
- P8**  4x45 x8
- S15**  4x45 x2

- O51**  x1
- O35**  x1
- R39**  x1
- S11**  4x25 x10

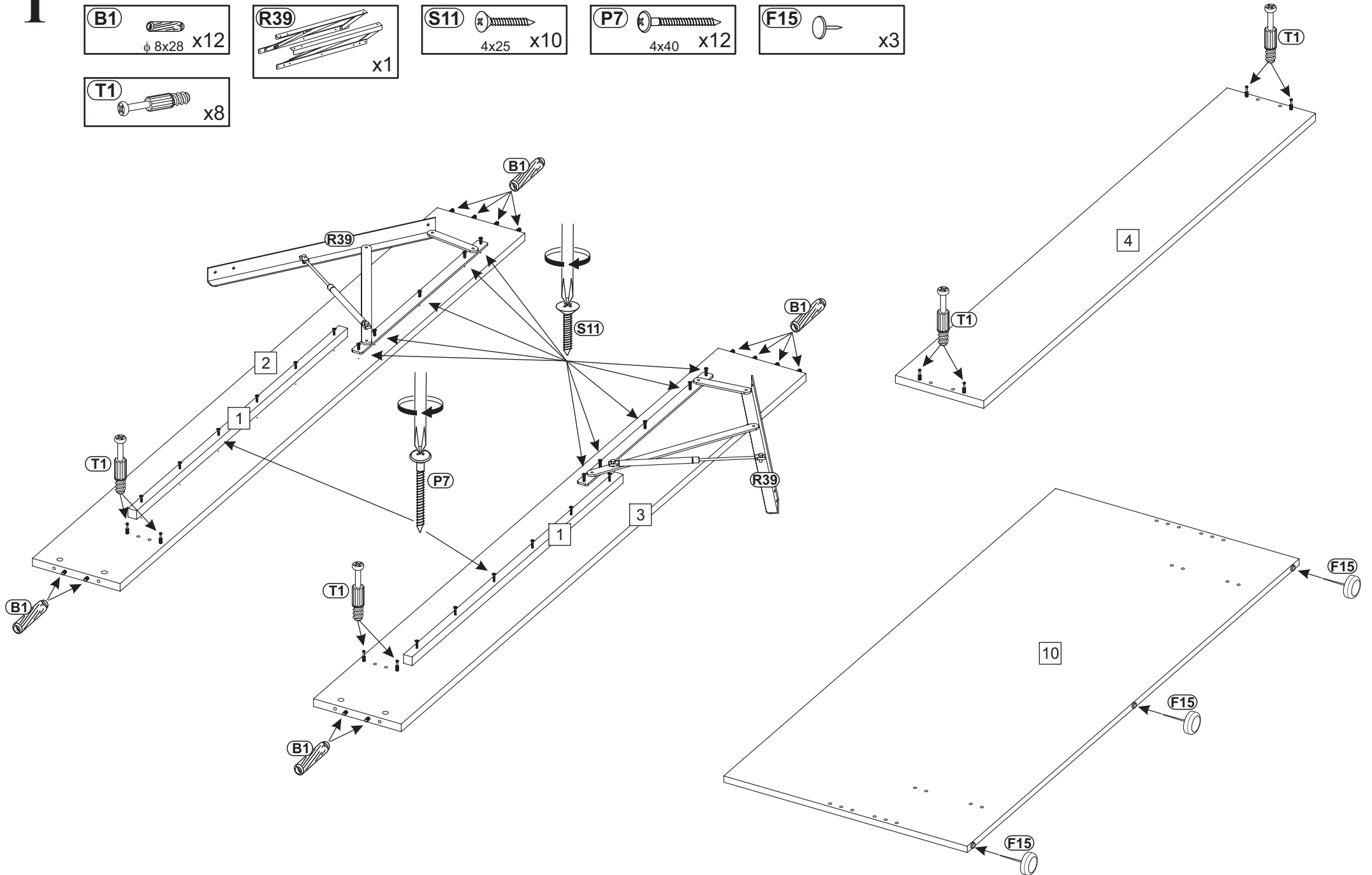
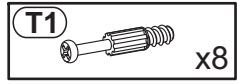
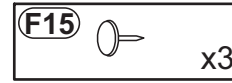
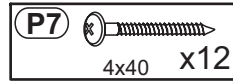
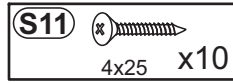
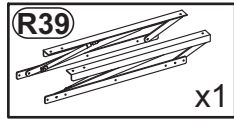
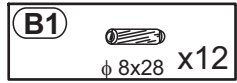
| Nr | Ausmaß | | St | Colli |
|----|--------|--------|----|-------|
| 1 | 930 | 25 25 | 2 | 2 |
| 2 | 2015 | 252 22 | 1 | 2 |
| 3 | 2015 | 252 22 | 1 | 2 |
| 4 | 1652 | 254 22 | 1 | 2 |
| 5 | 1780 | 309 18 | 1 | 2 |
| 6 | 1780 | 309 18 | 1 | 2 |
| 7 | 1606 | 310 18 | 1 | 1 |
| 8 | 1260 | 287 18 | 1 | 1 |
| 9 | 1643 | 100 18 | 1 | 1 |
| 10 | 1652 | 700 18 | 1 | 1 |
| 11 | 1500 | 100 15 | 1 | 1 |
| 12 | 1652 | 300 16 | 1 | 1 |
| 13 | 1650 | 637 2 | 2 | 1 |
| 25 | R39 | | 1 | 3 |
| 26 | 2000 | 1570 | 1 | 4 |



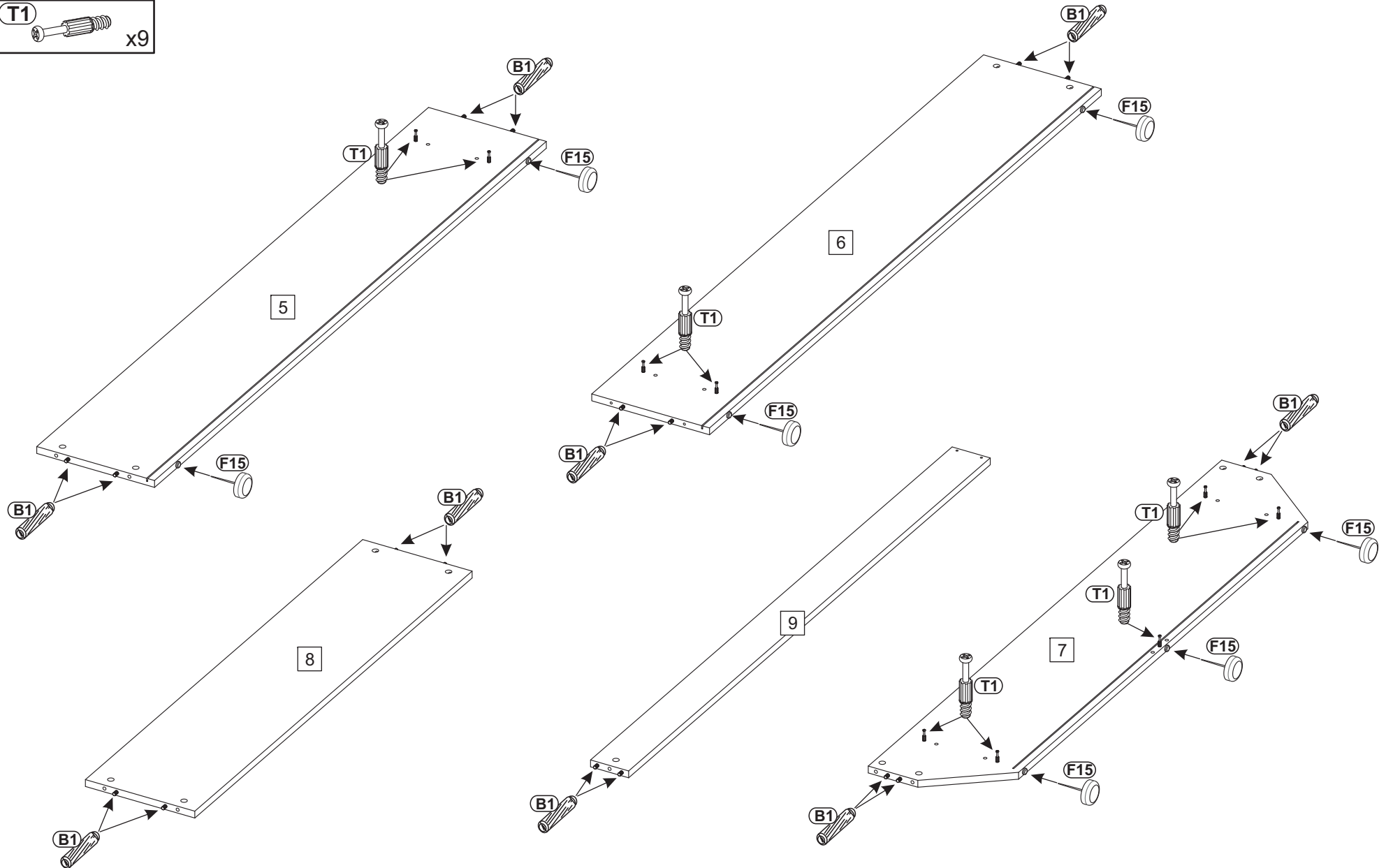
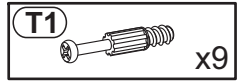
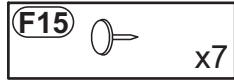
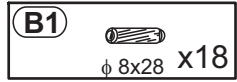
0 10 20 30 40 50 60 70 80 90 100 110 120 130 140 150 160 170 180 190 200



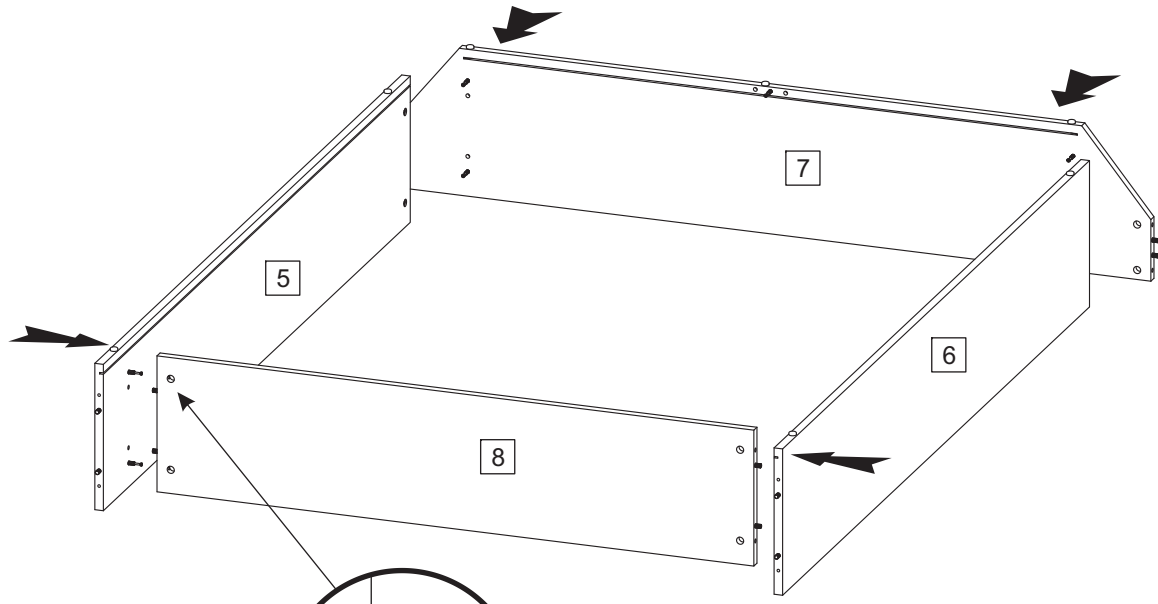
1



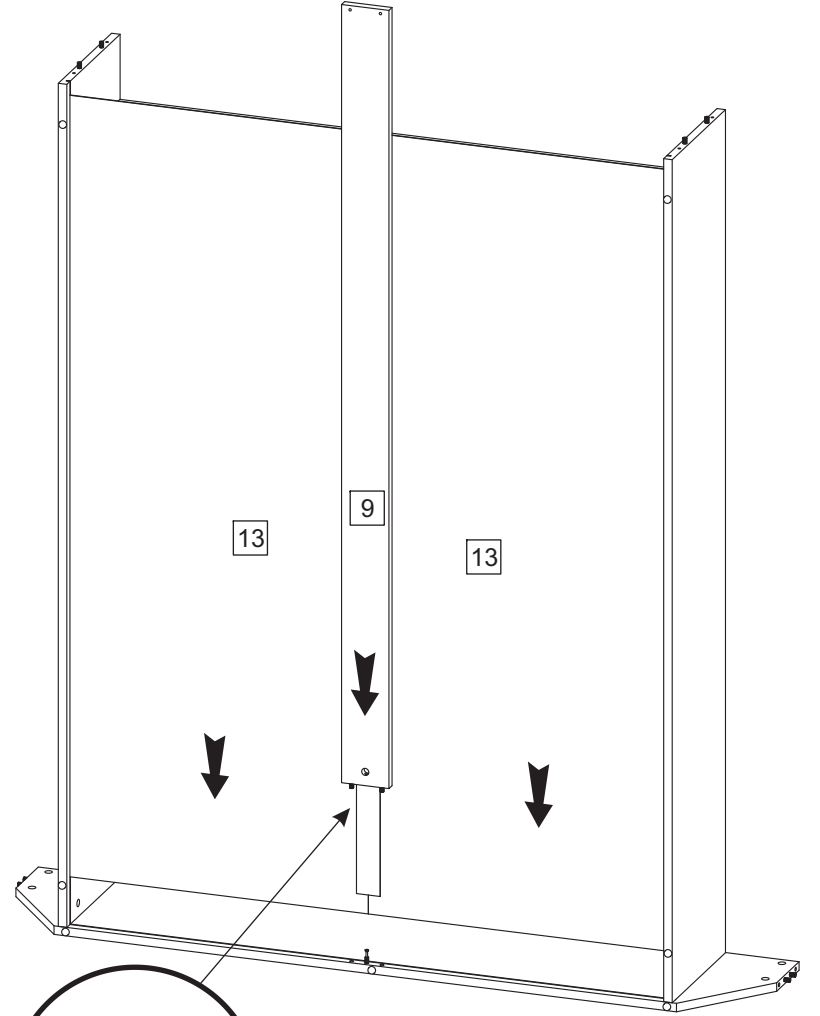
2



3



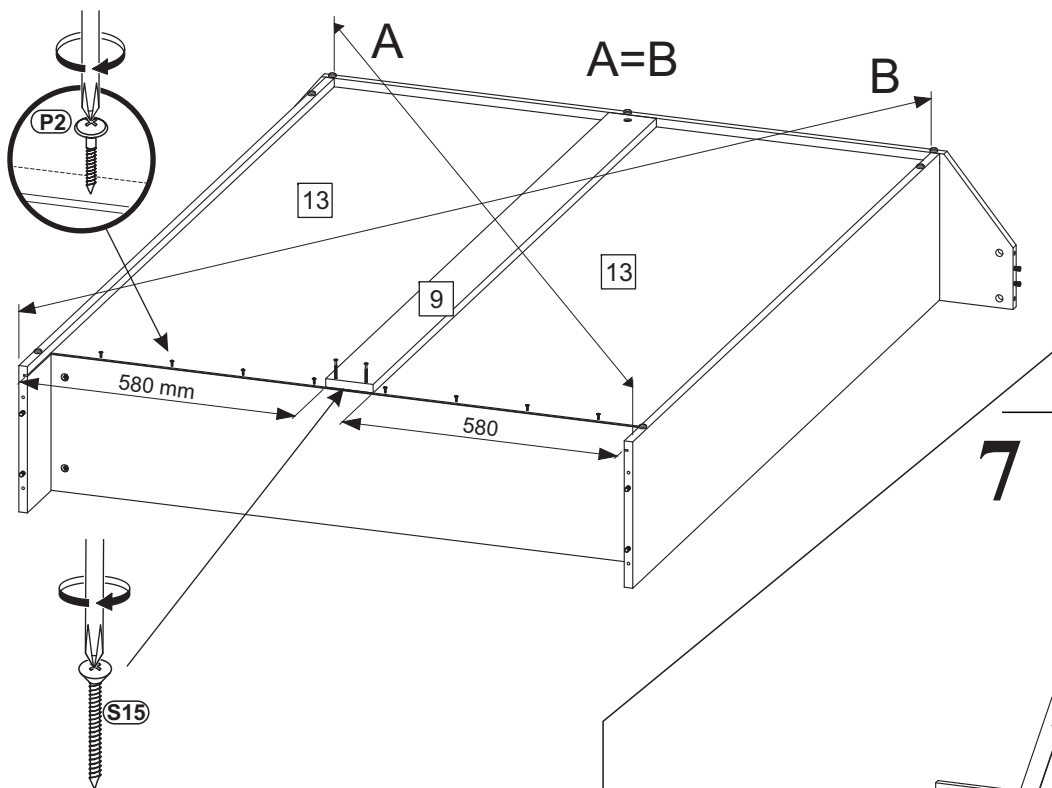
4



5

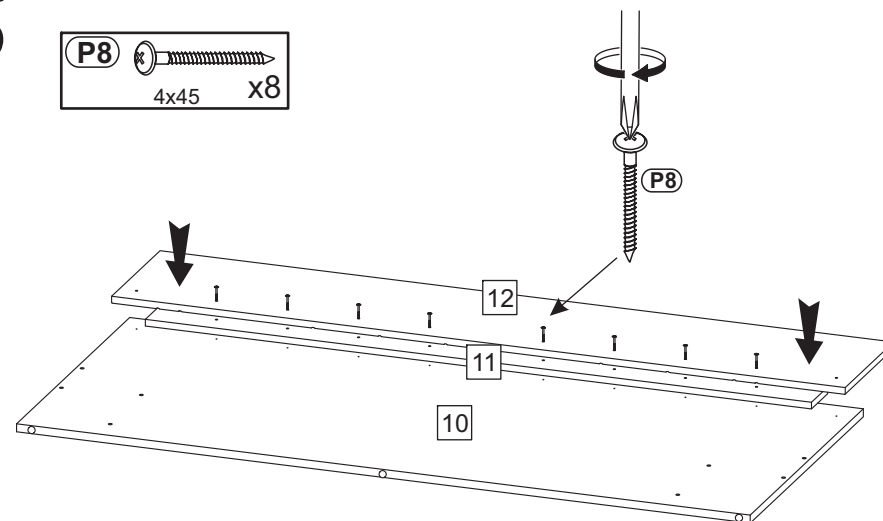
P2 3x16 x8

S15 4x45 x2



6

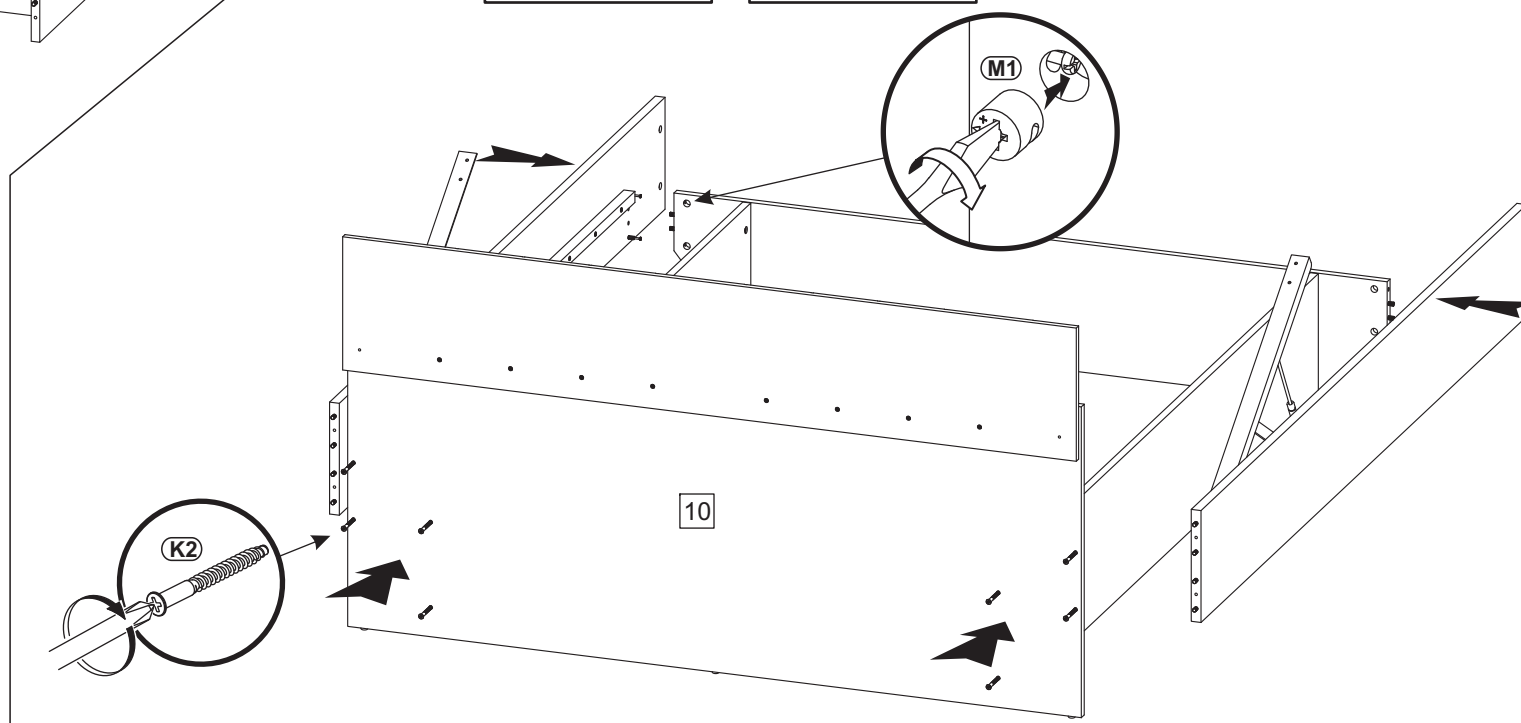
P8 4x45 x8



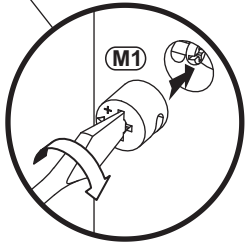
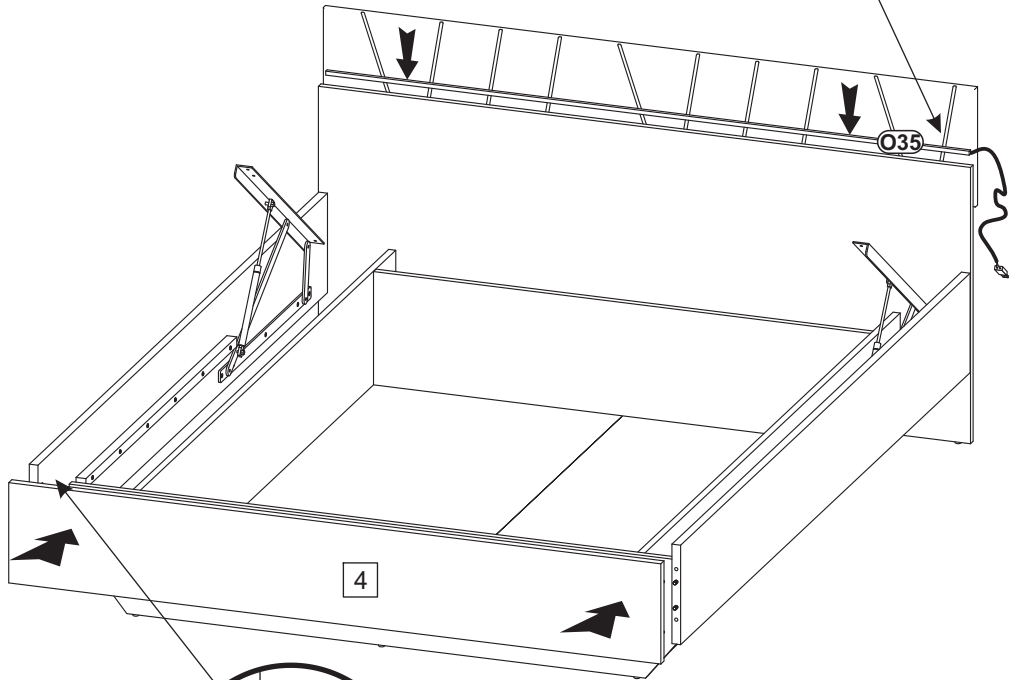
7

M1 x4

K2 7x70 x8



8



9

