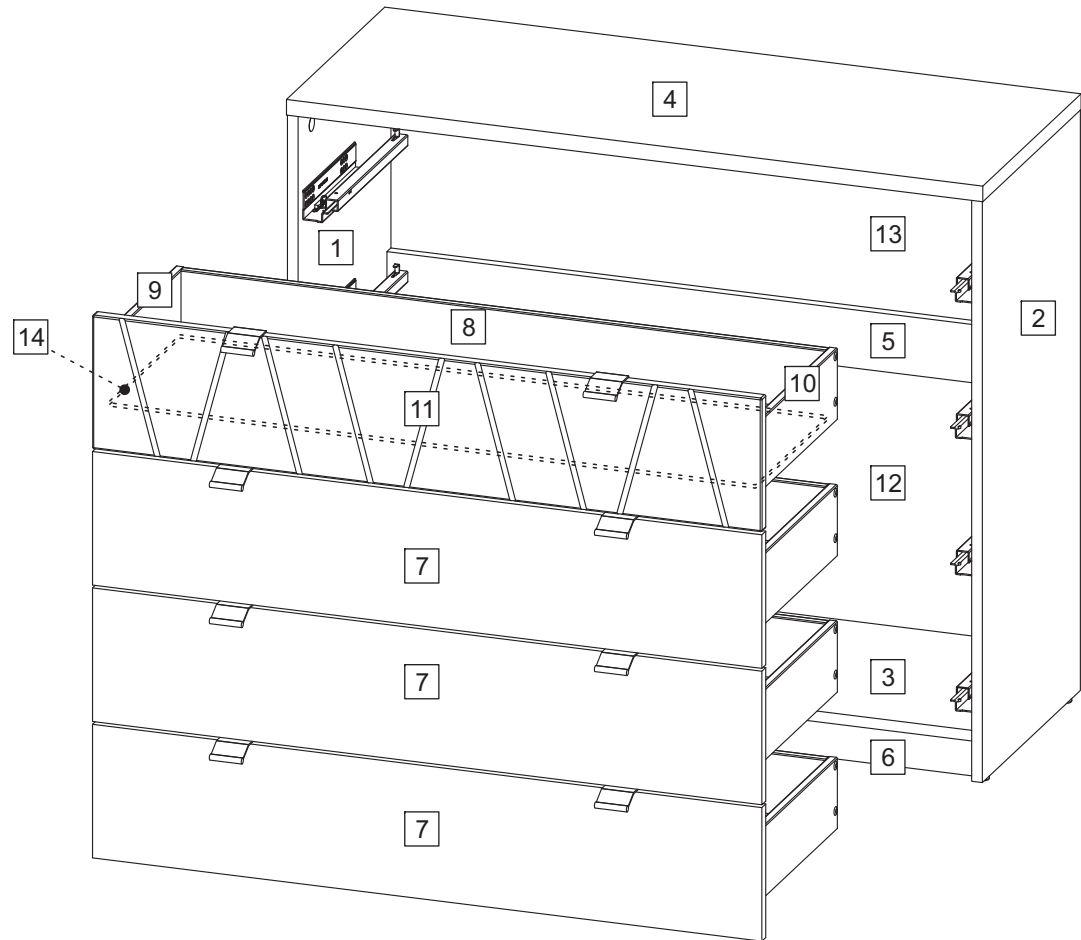


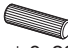

Nr	Ausmaß			St
1	818	379	15	1
2	818	379	15	1
3	948	363	15	1
4	980	380	22	1
5	948	100	15	1
6	948	50	15	1
7	942	188	15	3
8	907	100	12	4
9	292	100	12	4
10	292	100	12	4
11	942	188	16	1
12	962	383	2	1
13	962	383	2	1
14	918	291	2	4


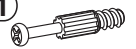



0 10 20 30 40 50 60 70 80 90 100 110 120 130 140 150 160 170 180 190 200




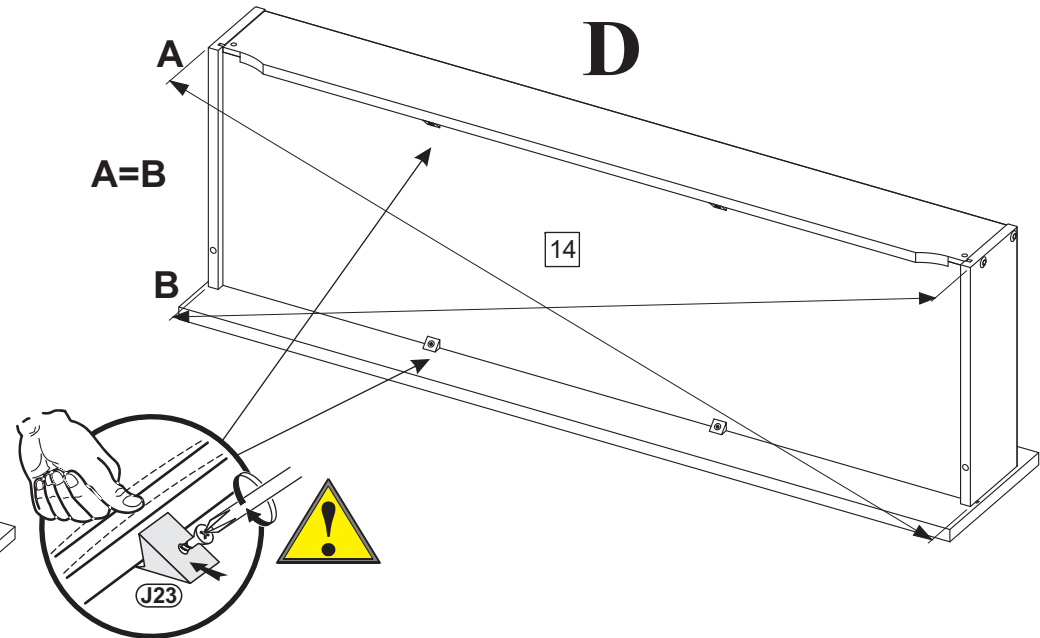
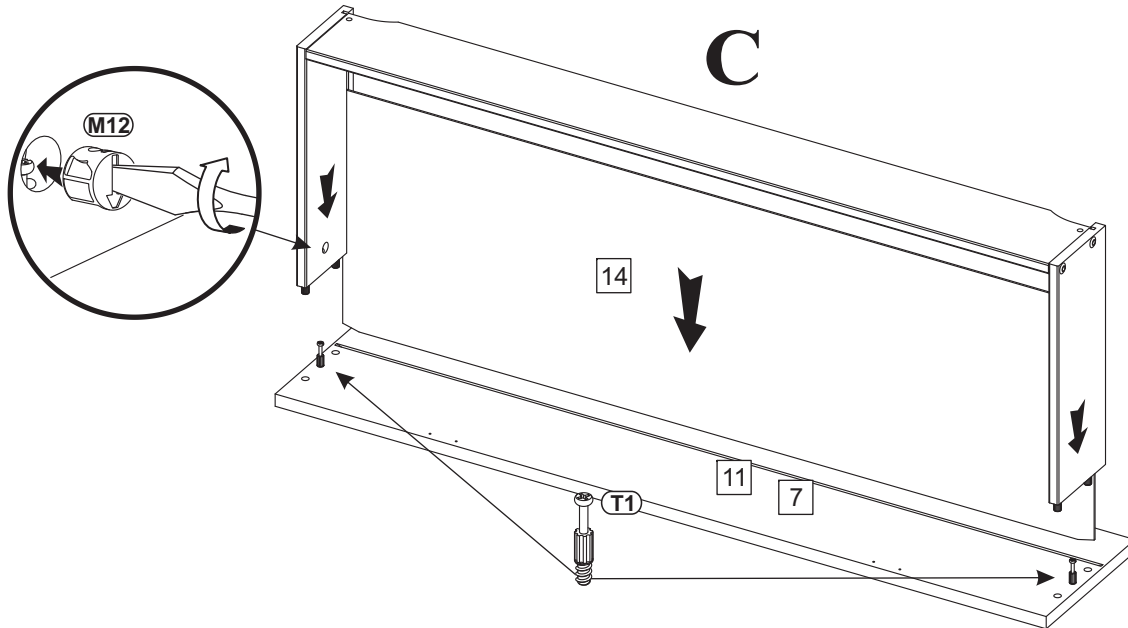
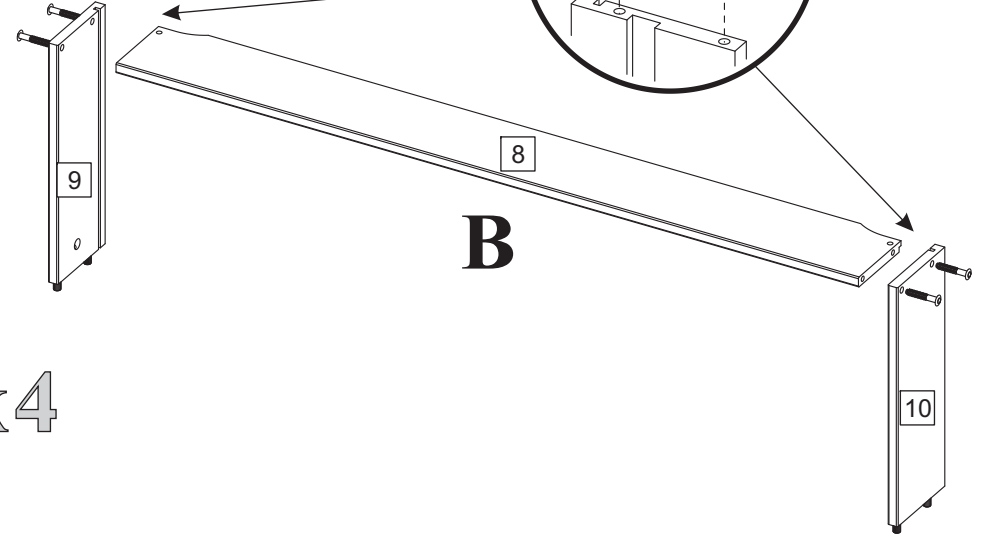
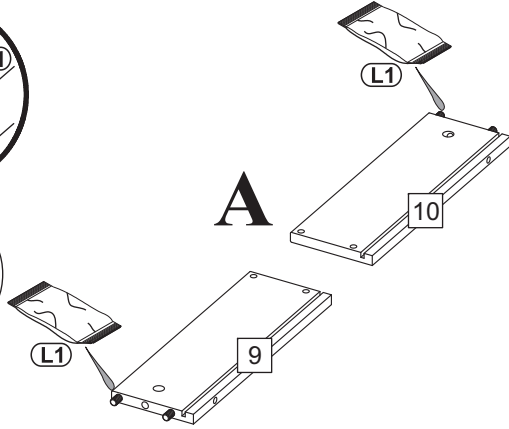
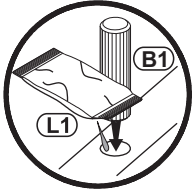
# 1

<b>B1</b>		x16
<b>L1</b>		x2

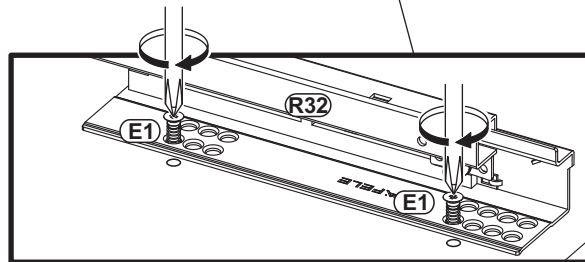
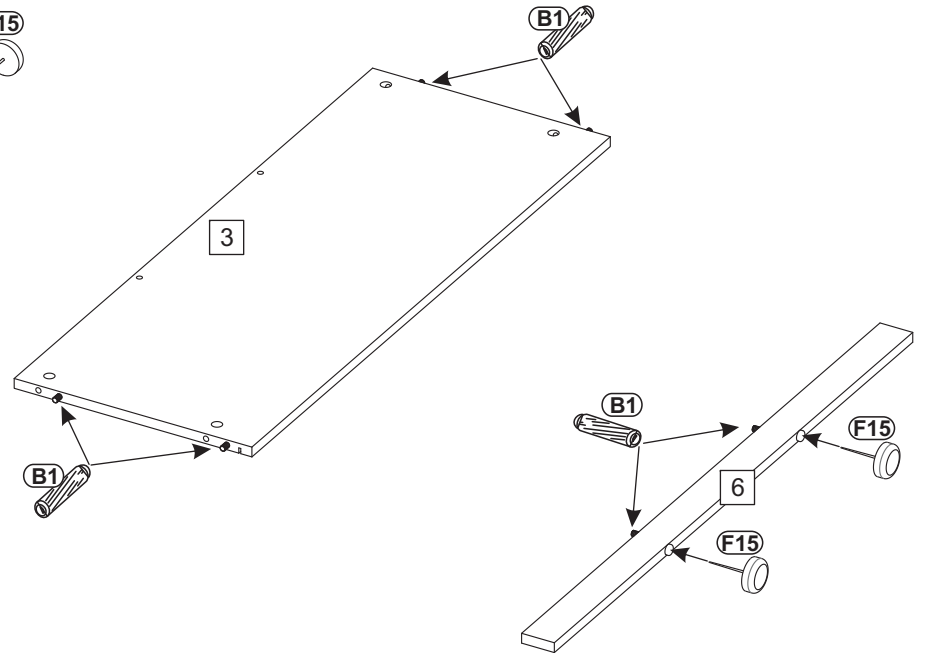
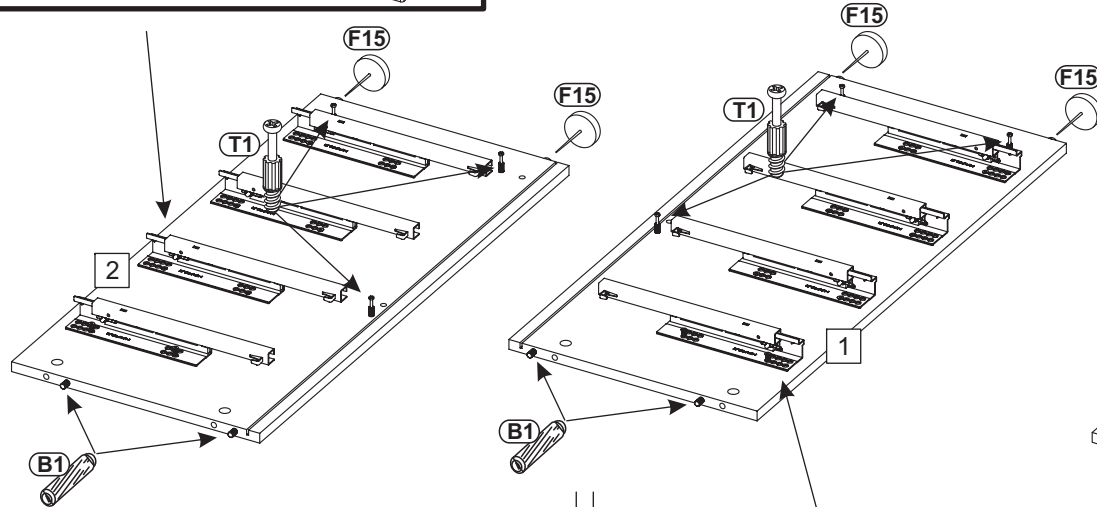
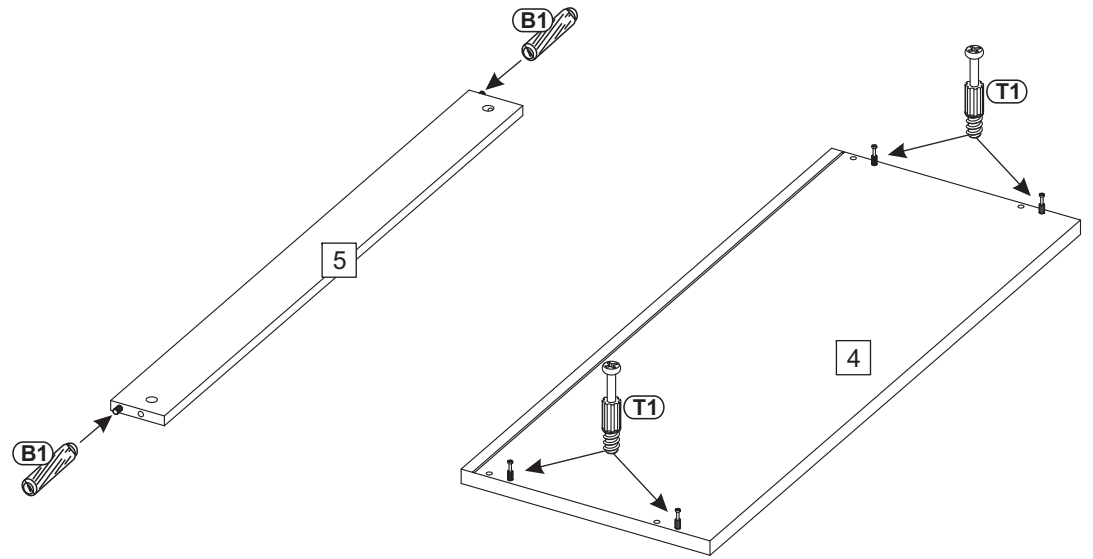
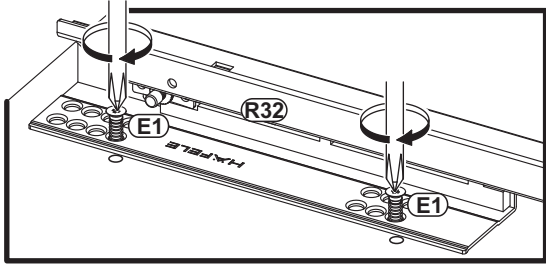
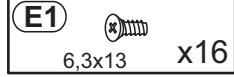
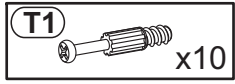
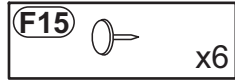
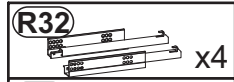
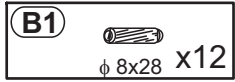
<b>M12</b>		x8
<b>T1</b>		x8

<b>B4</b>		x16
-----------	---	-----

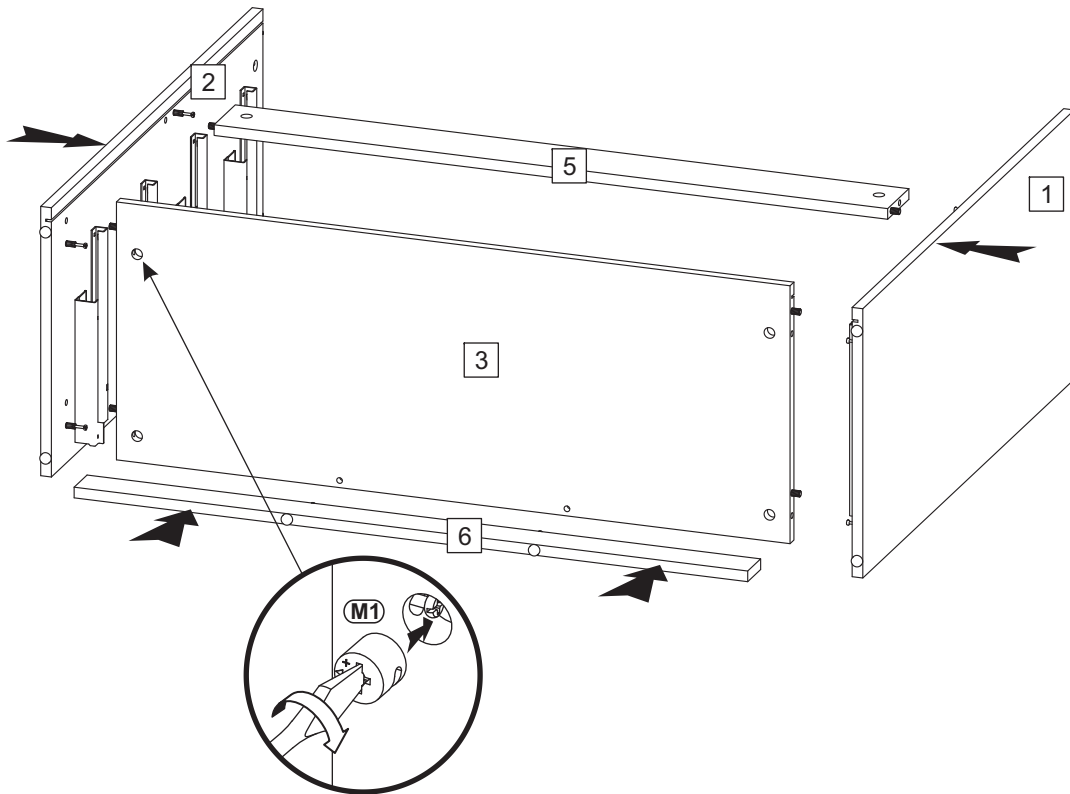
<b>J23</b>		x16
------------	---	-----



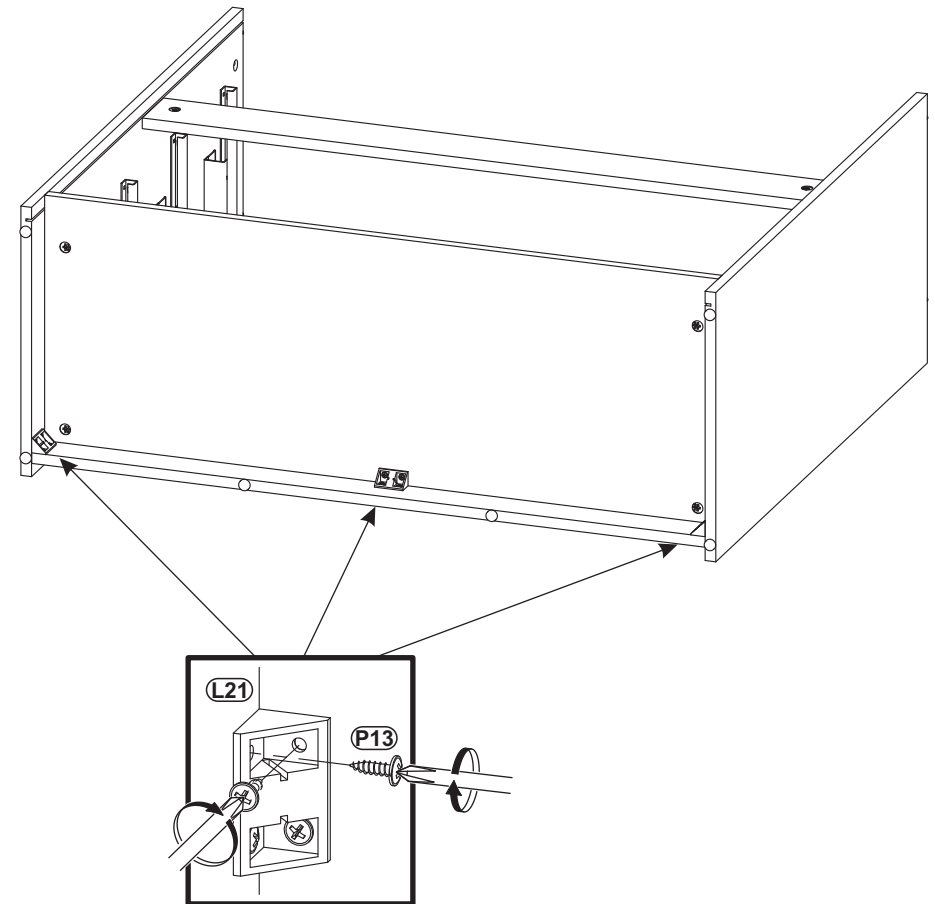
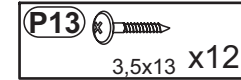
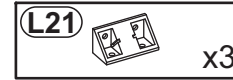
2



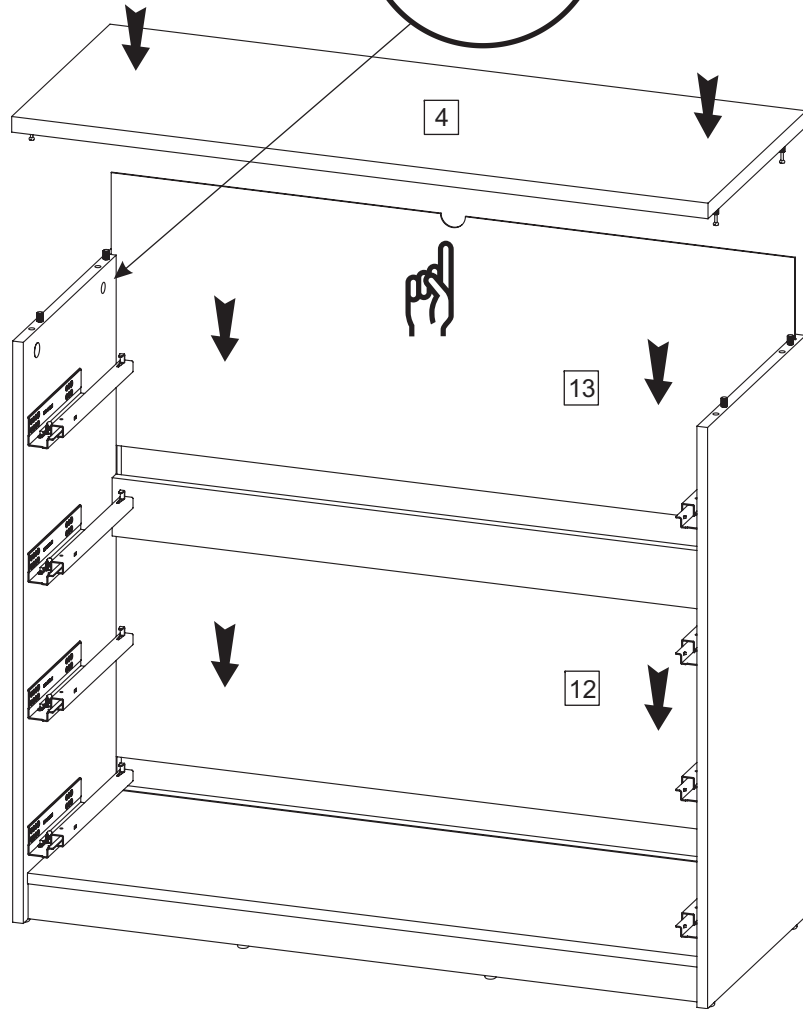
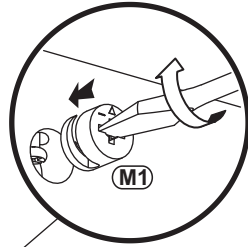
3



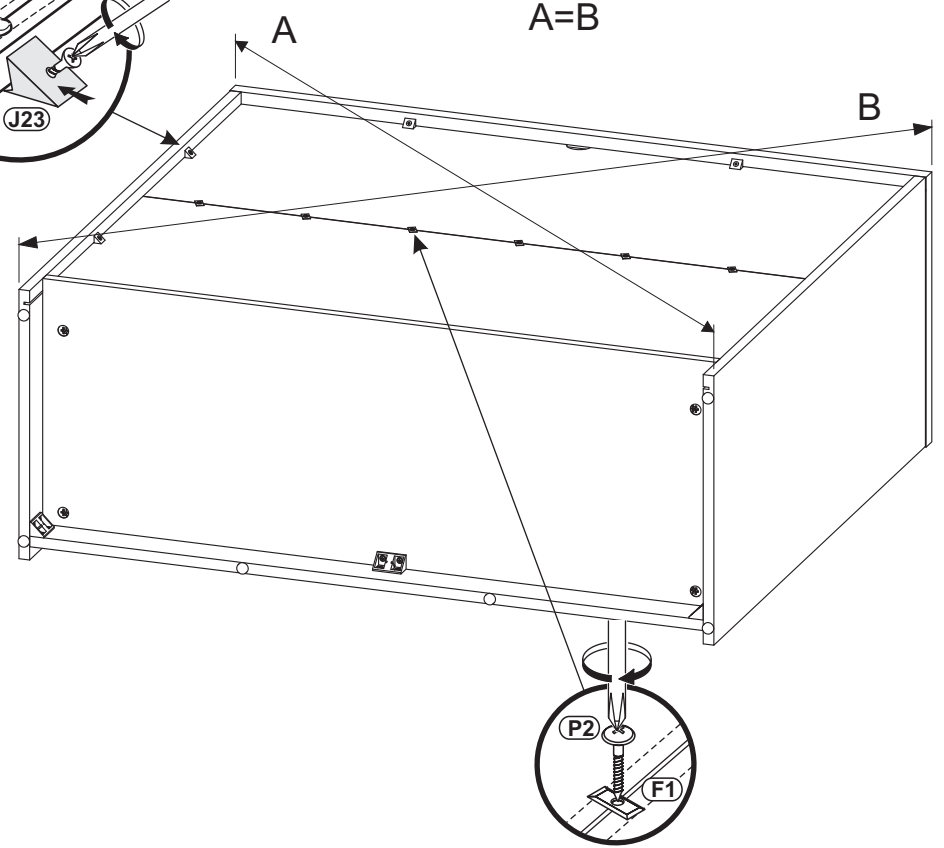
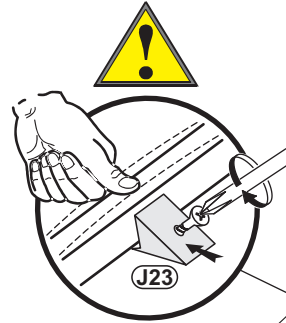
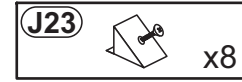
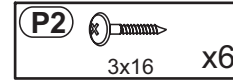
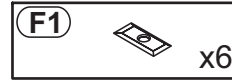
4



## 5



## 6



7

