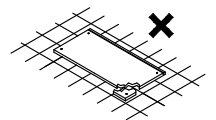
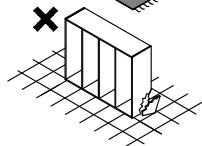
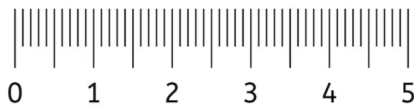
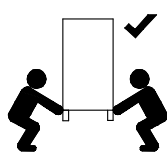
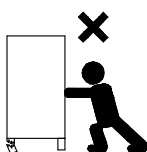
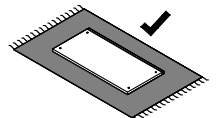
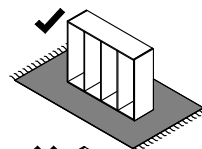
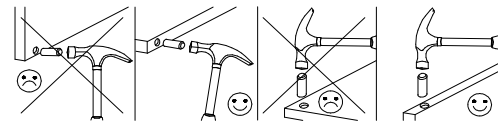
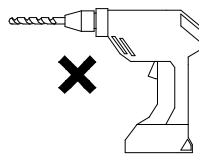
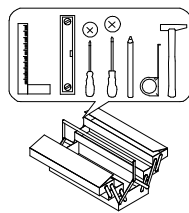
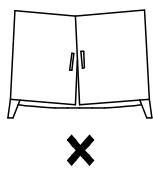
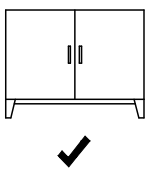
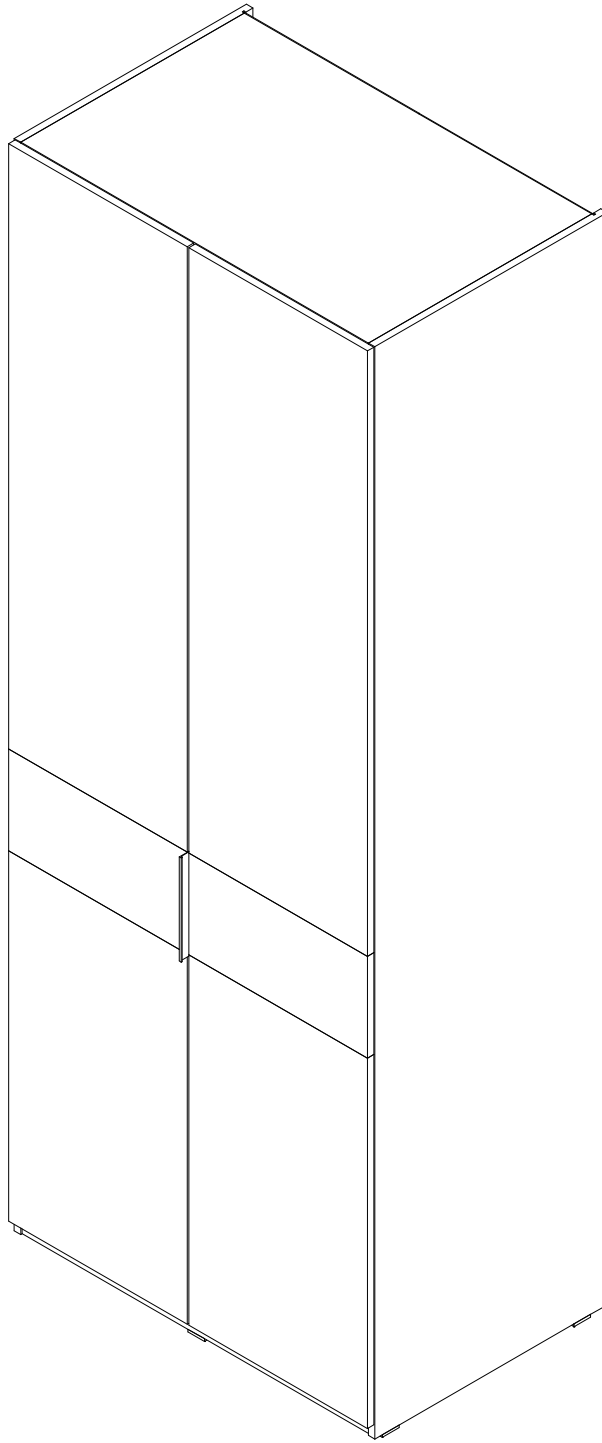
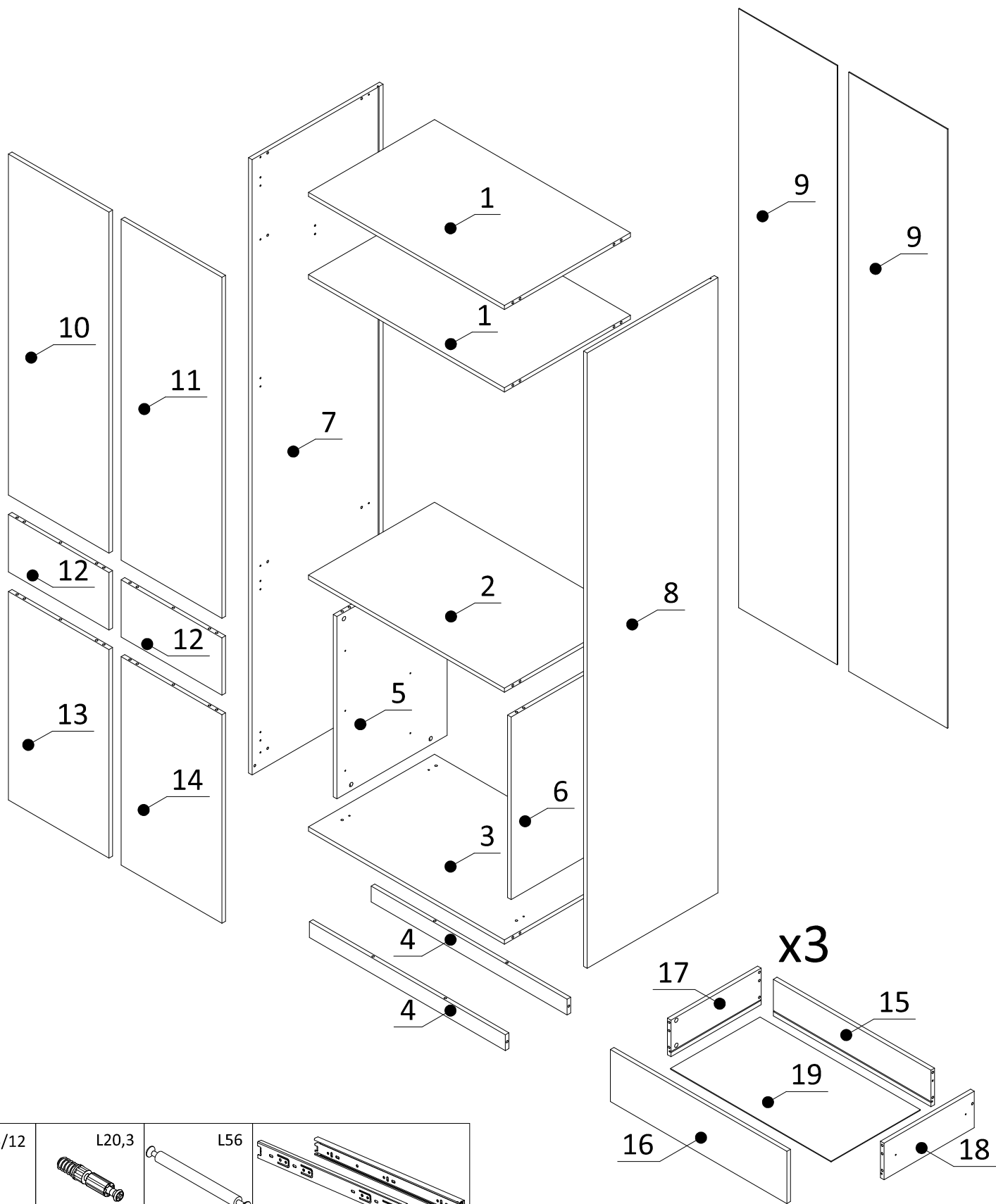

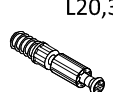
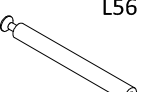
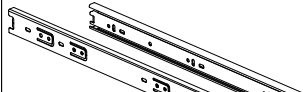
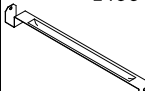
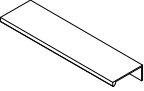
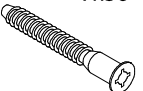
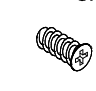


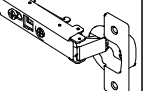
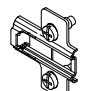
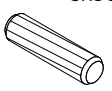

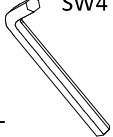
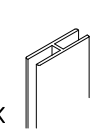
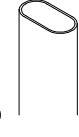
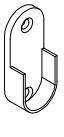
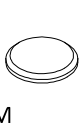
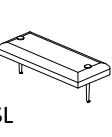
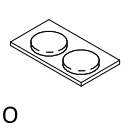

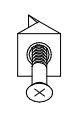
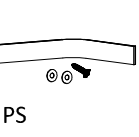


SORENO

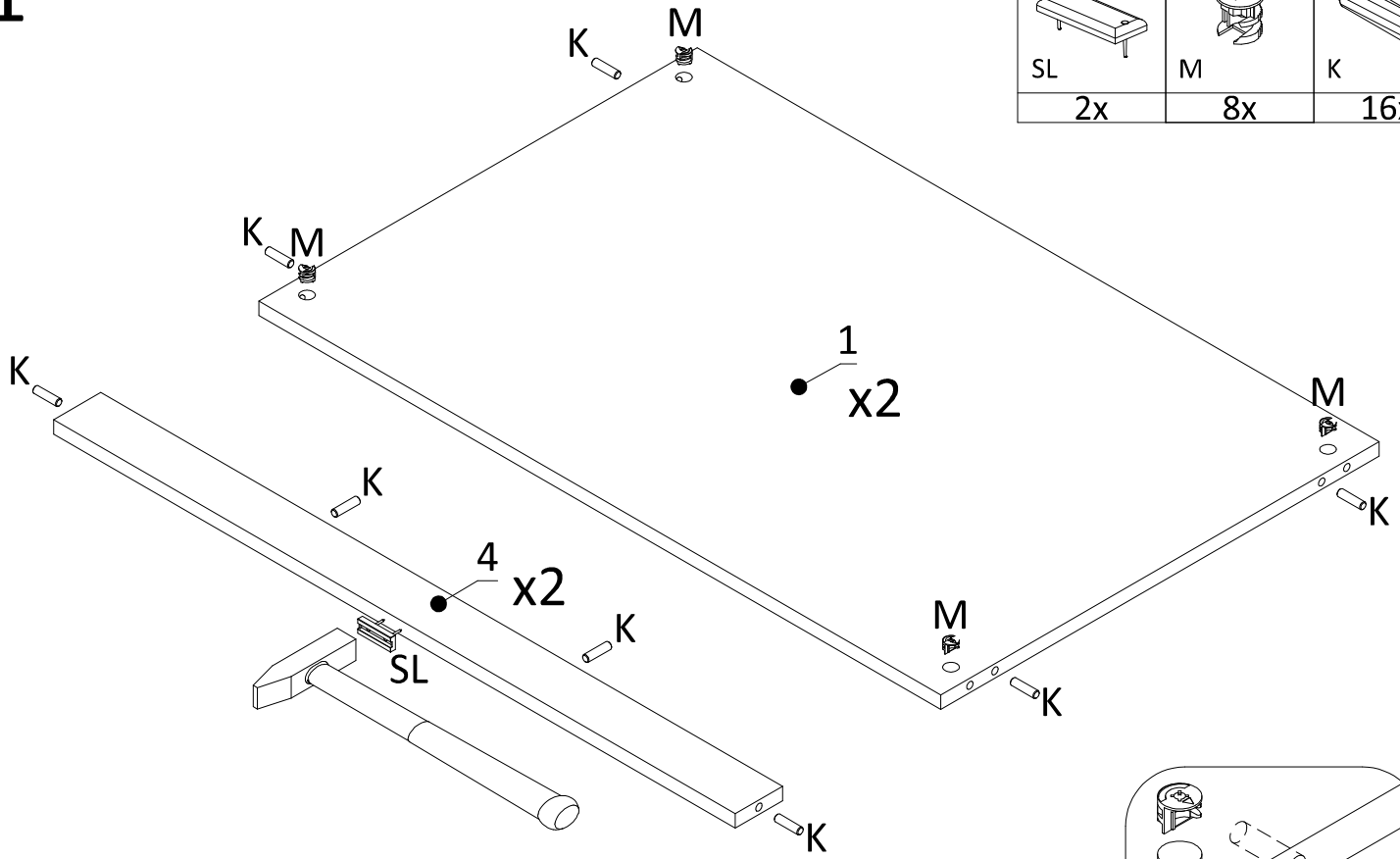
Szafa 90

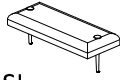

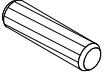




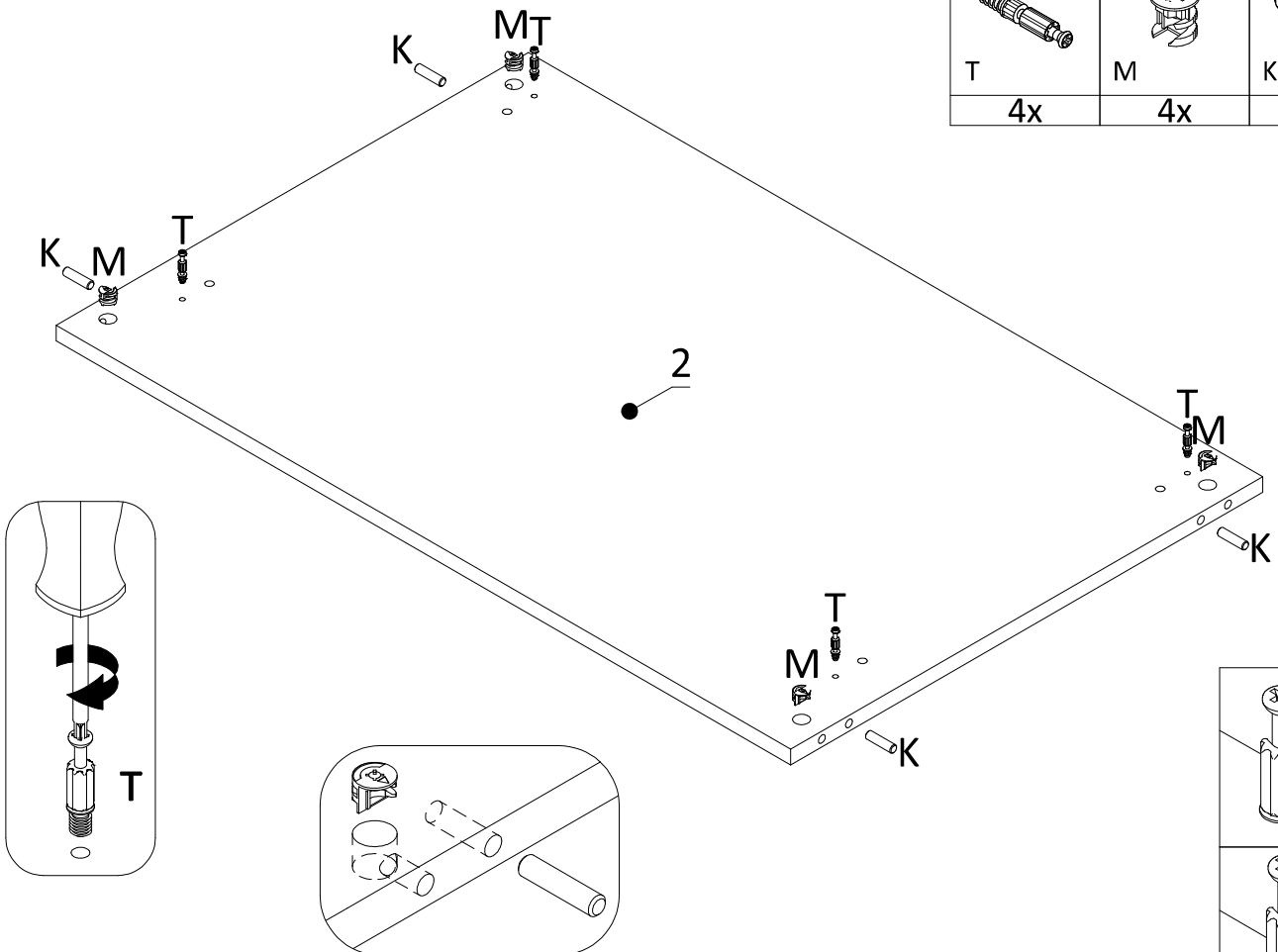
 M 15/12	 T L20,3	 T2 L56	 3x PK-0H35-400						
52x	36x	8x							
 WS L400	 U	 KF 7x50	 E1 5x13	 W1 3x13	 W4 4x16	 Z1	 PZ	 K 8x30	 K2 8x45
3x	2x	6x	24x	8x	22x	8x	8x	50x	12x
 KL SW4	 K	 D	 R	 ZM	 SL	 O	 G 2x20	 S	 PS
1x	1x	1x	2x	52x	6x	4x	36x	8x	1x

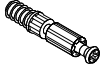

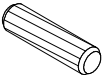
1

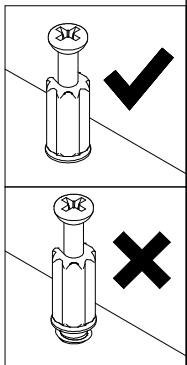


 SL	 M	 K
2x	8x	16x

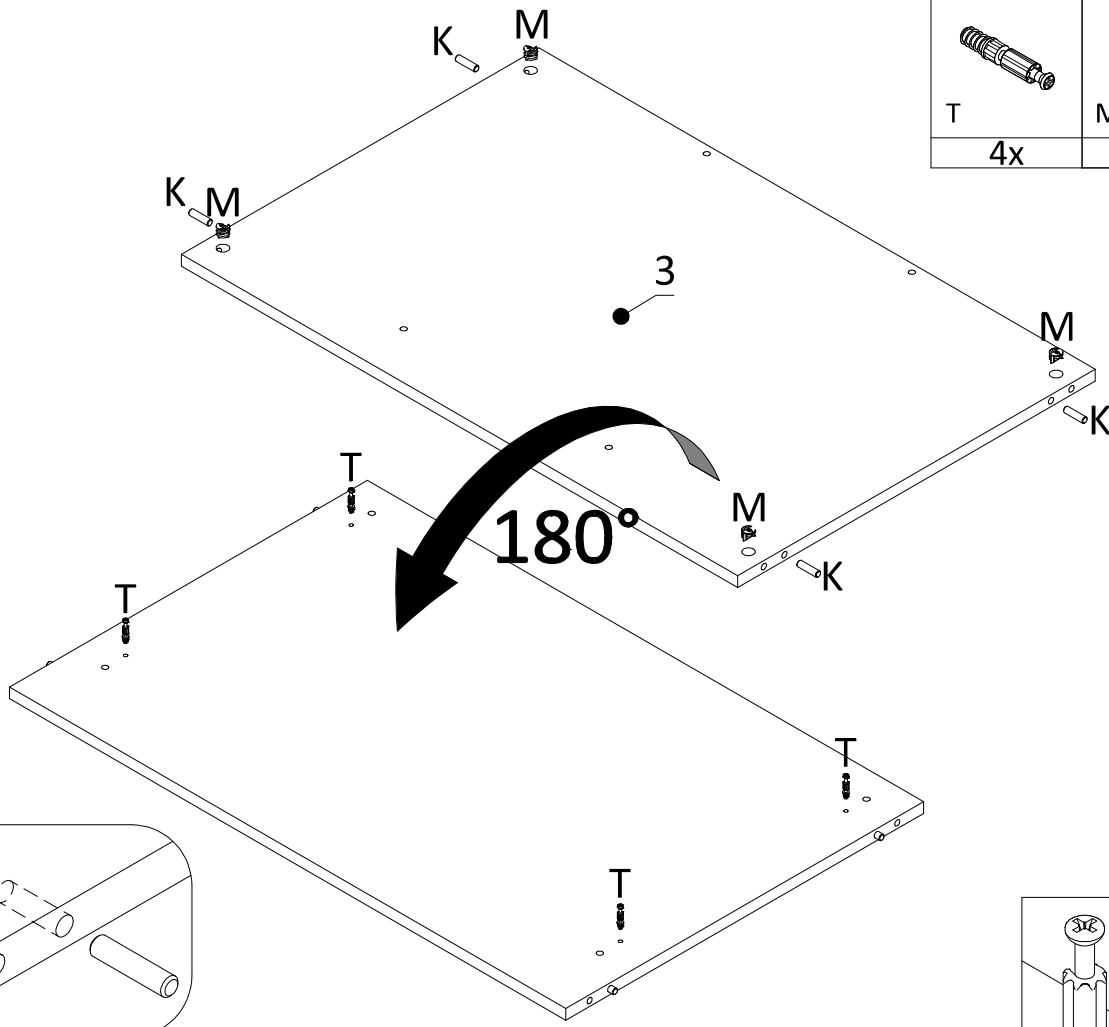
2



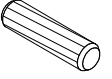


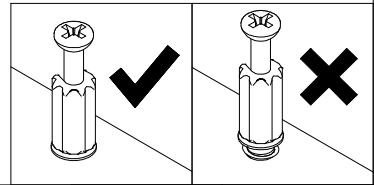
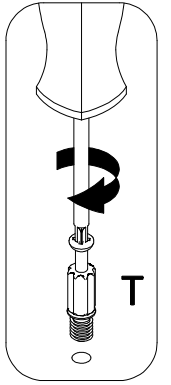
 T	 M	 K
4x	4x	4x



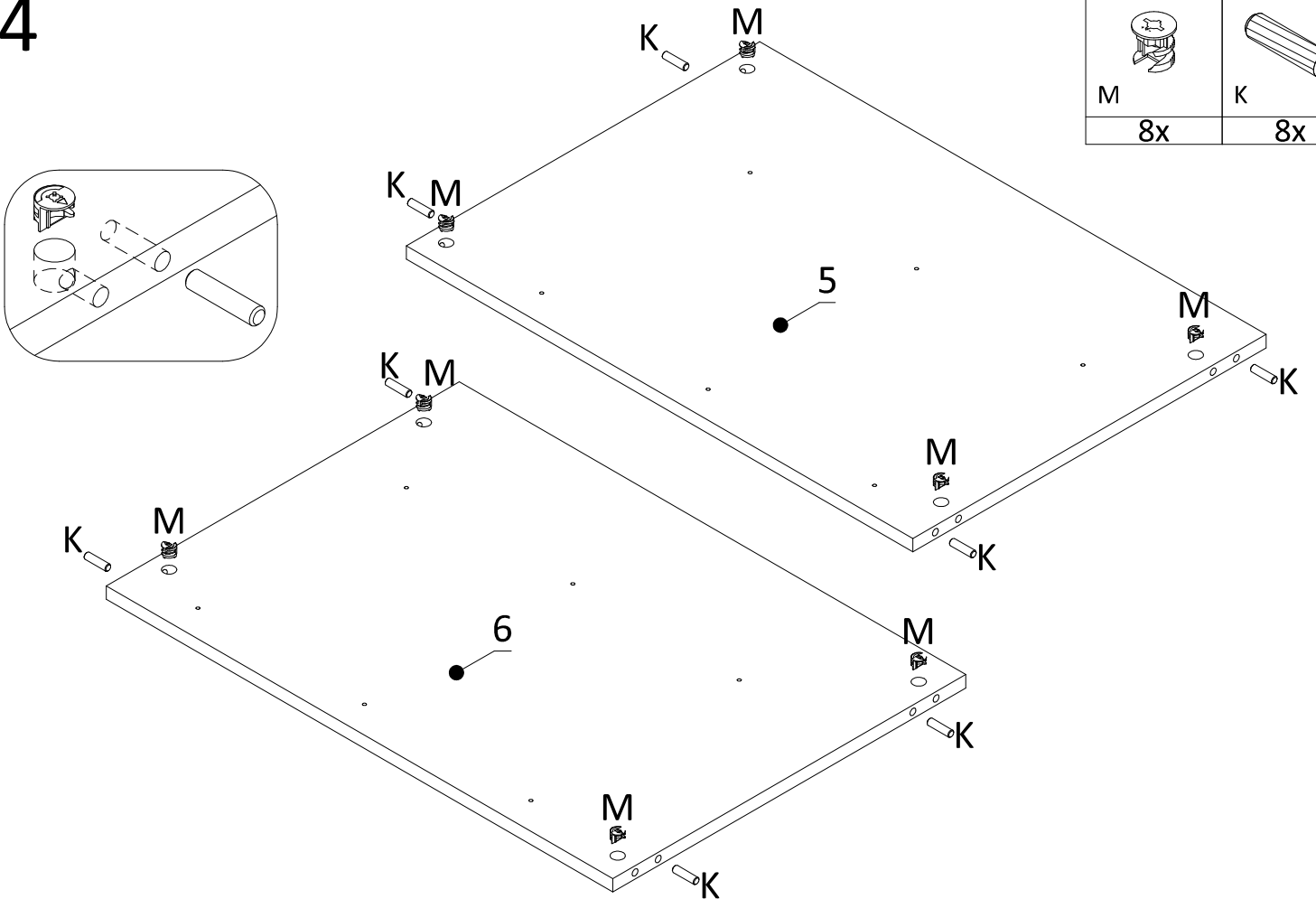
3


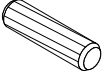


		
T	M	K
4x	4x	4x

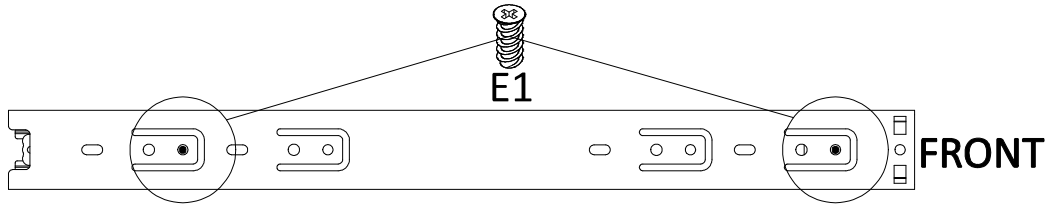


4

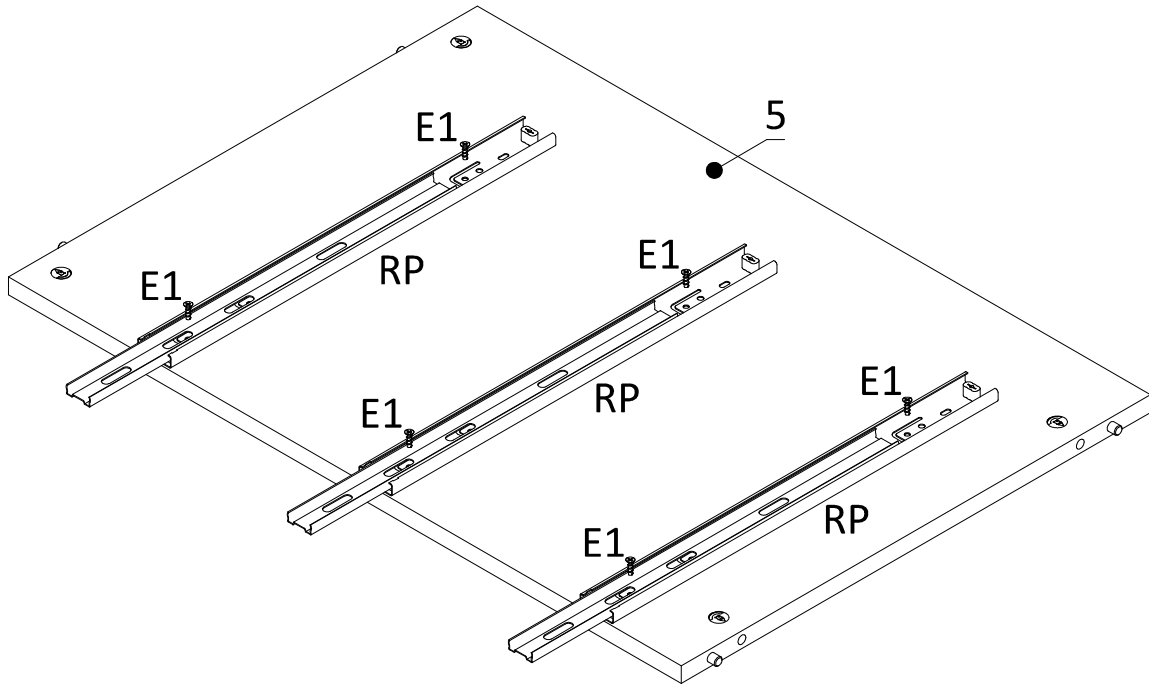


	
M	K
8x	8x

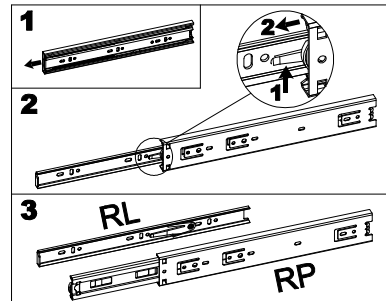
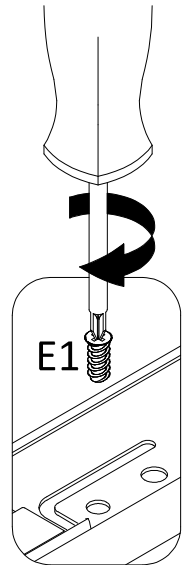
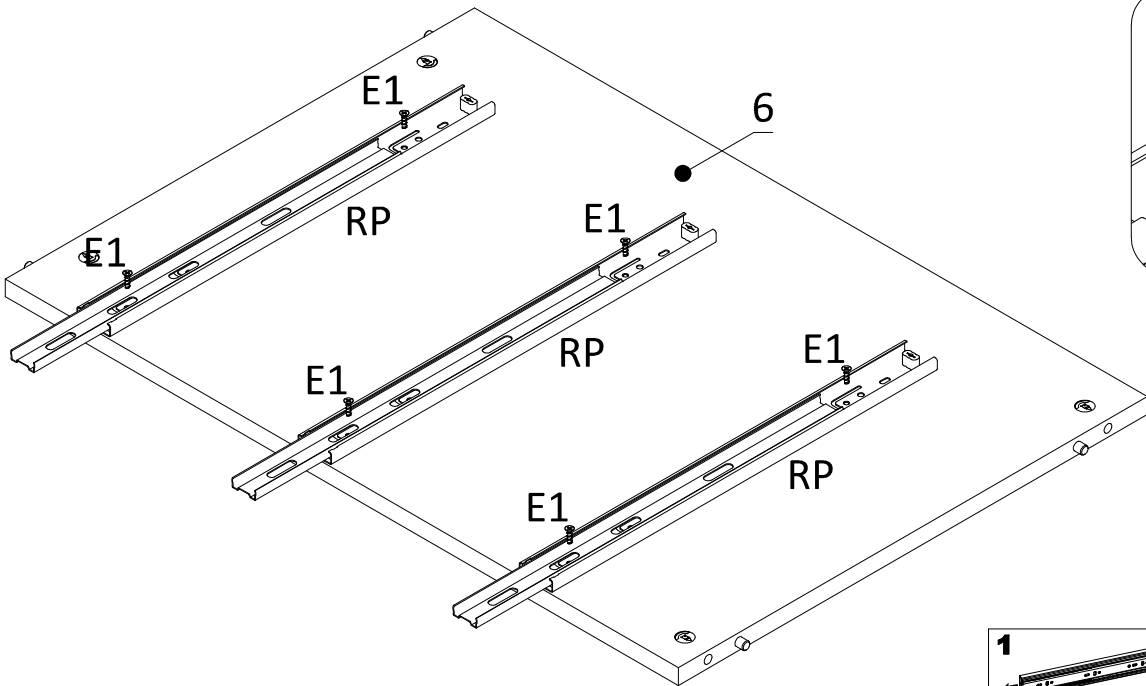
5




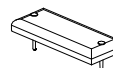
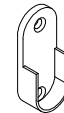
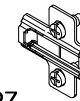
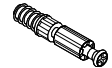
E1
12x

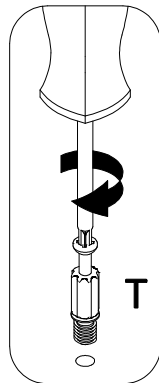
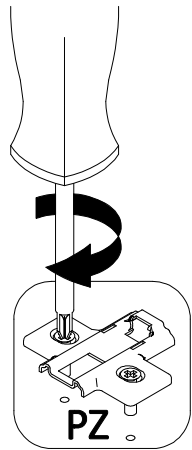
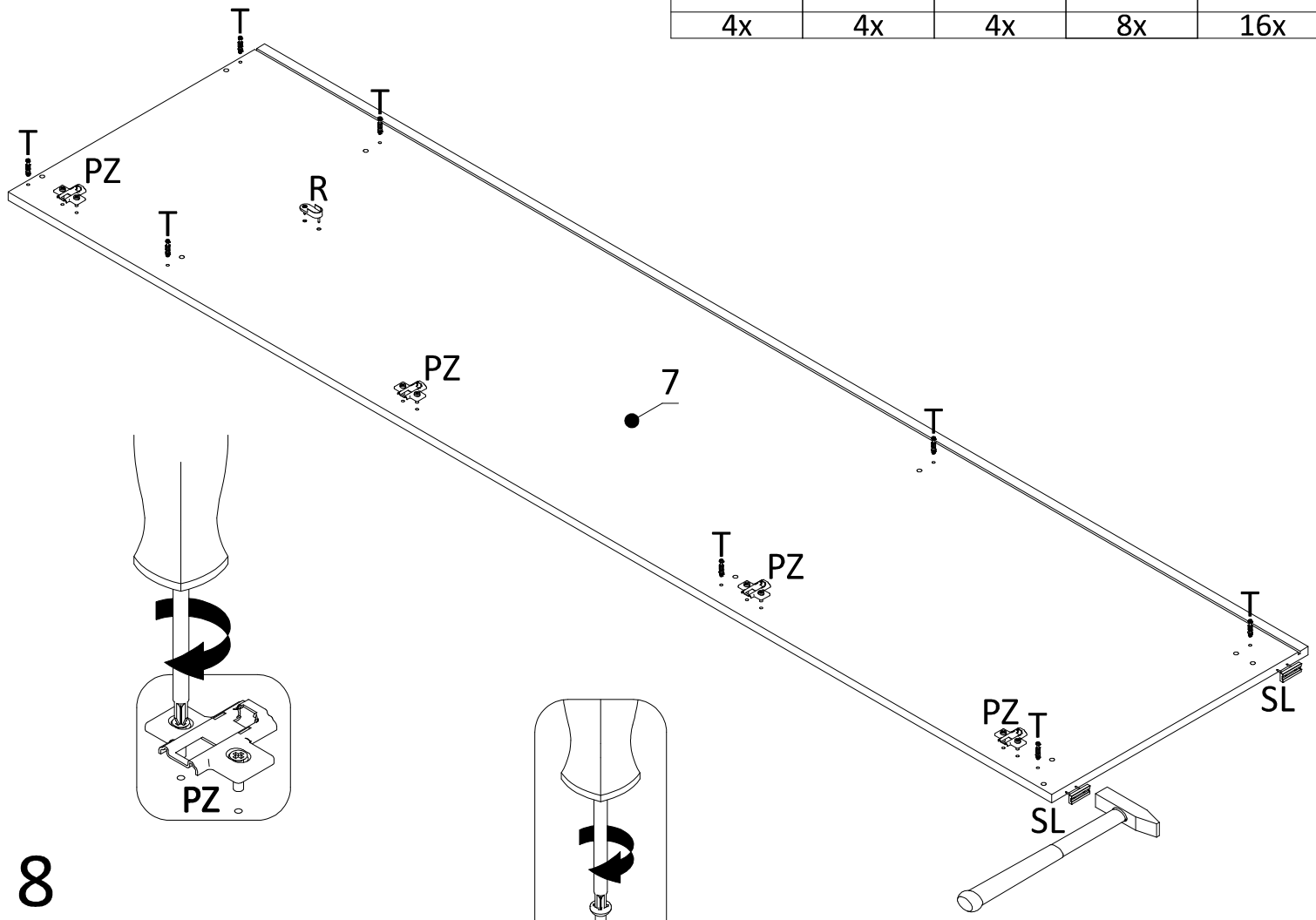


6

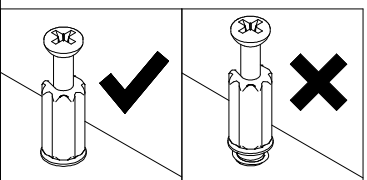
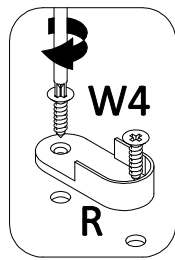
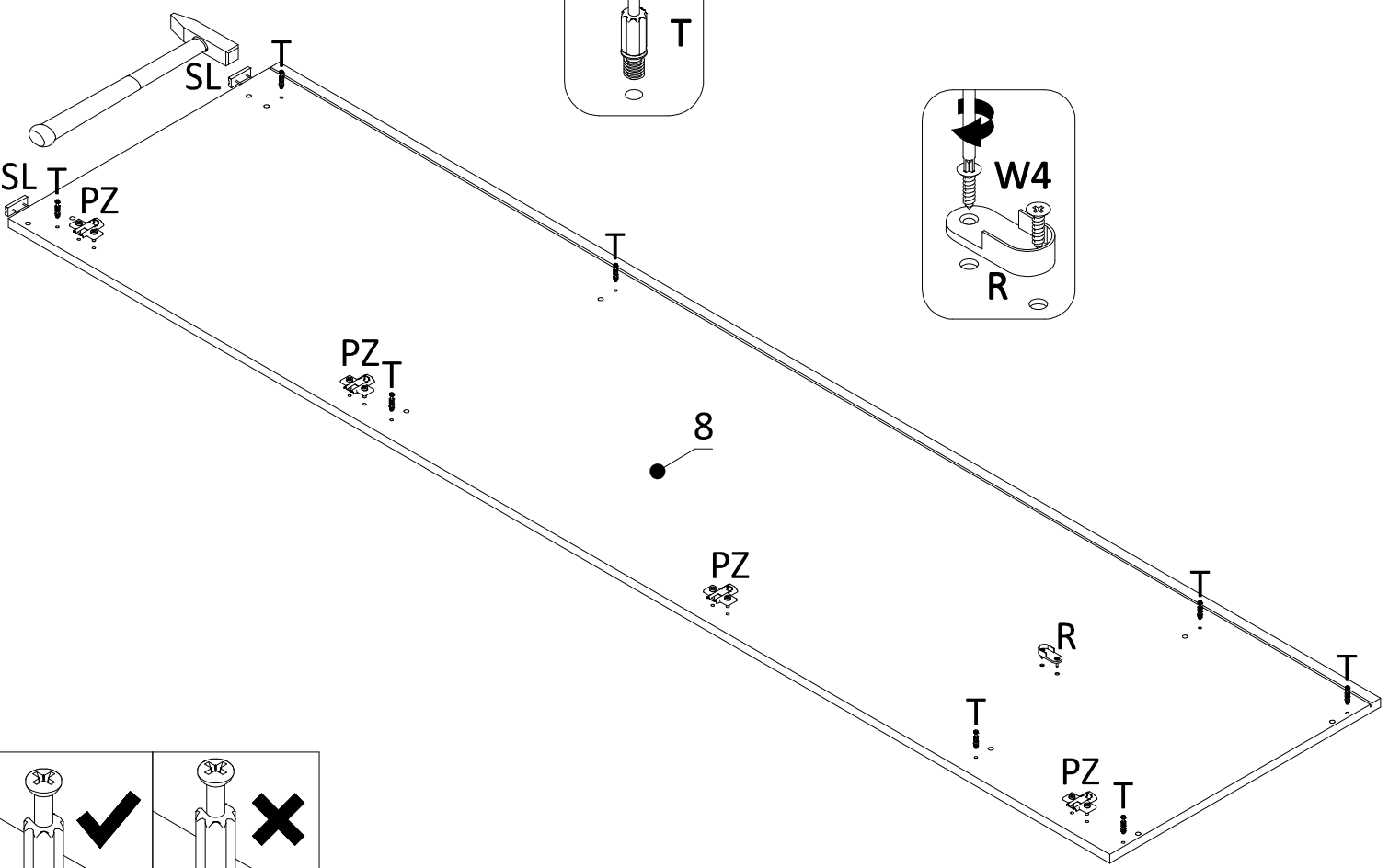


7

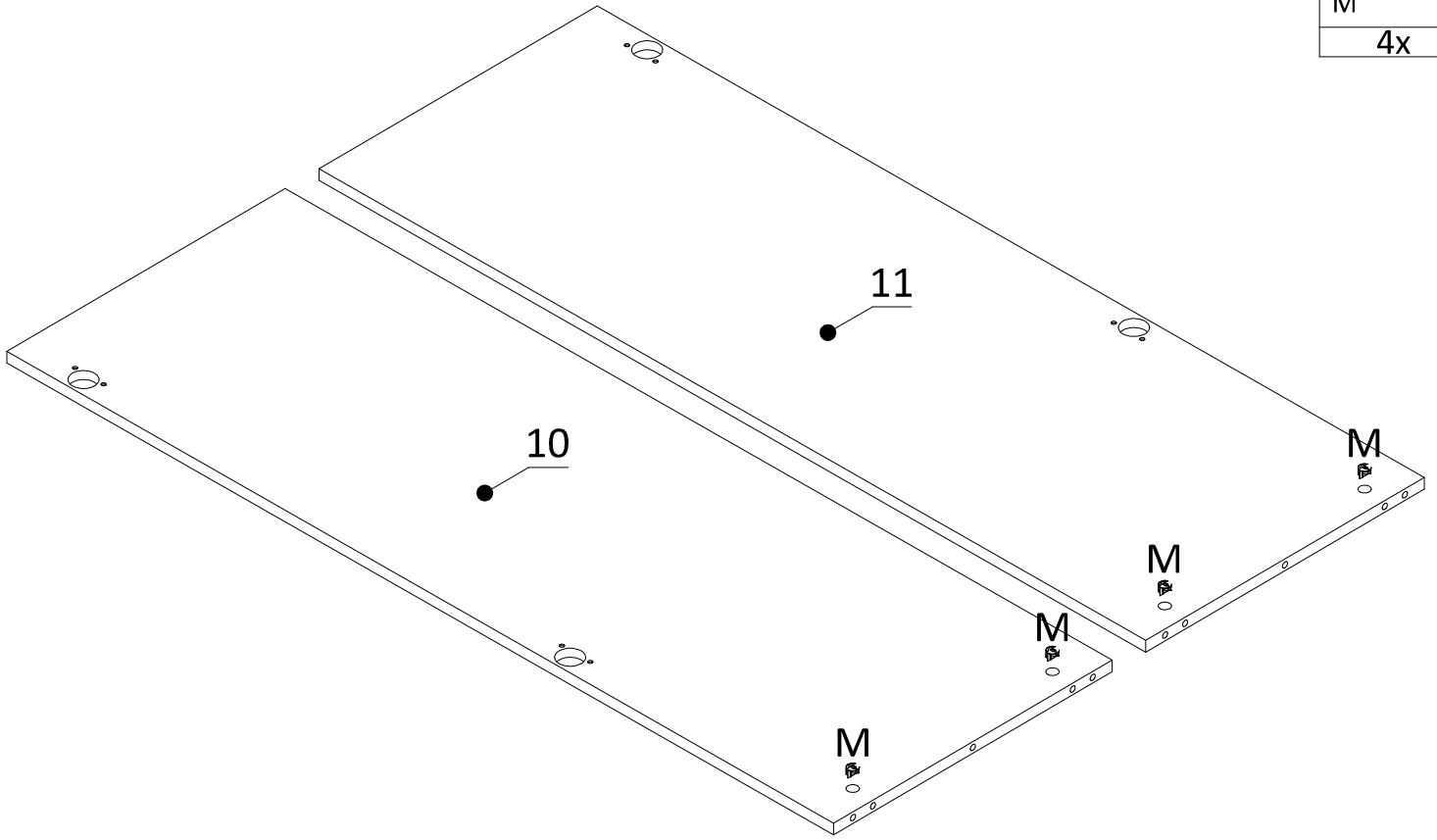
				
W4	SL	R	PZ	T
4x	4x	4x	8x	16x



8



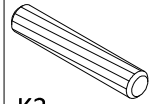
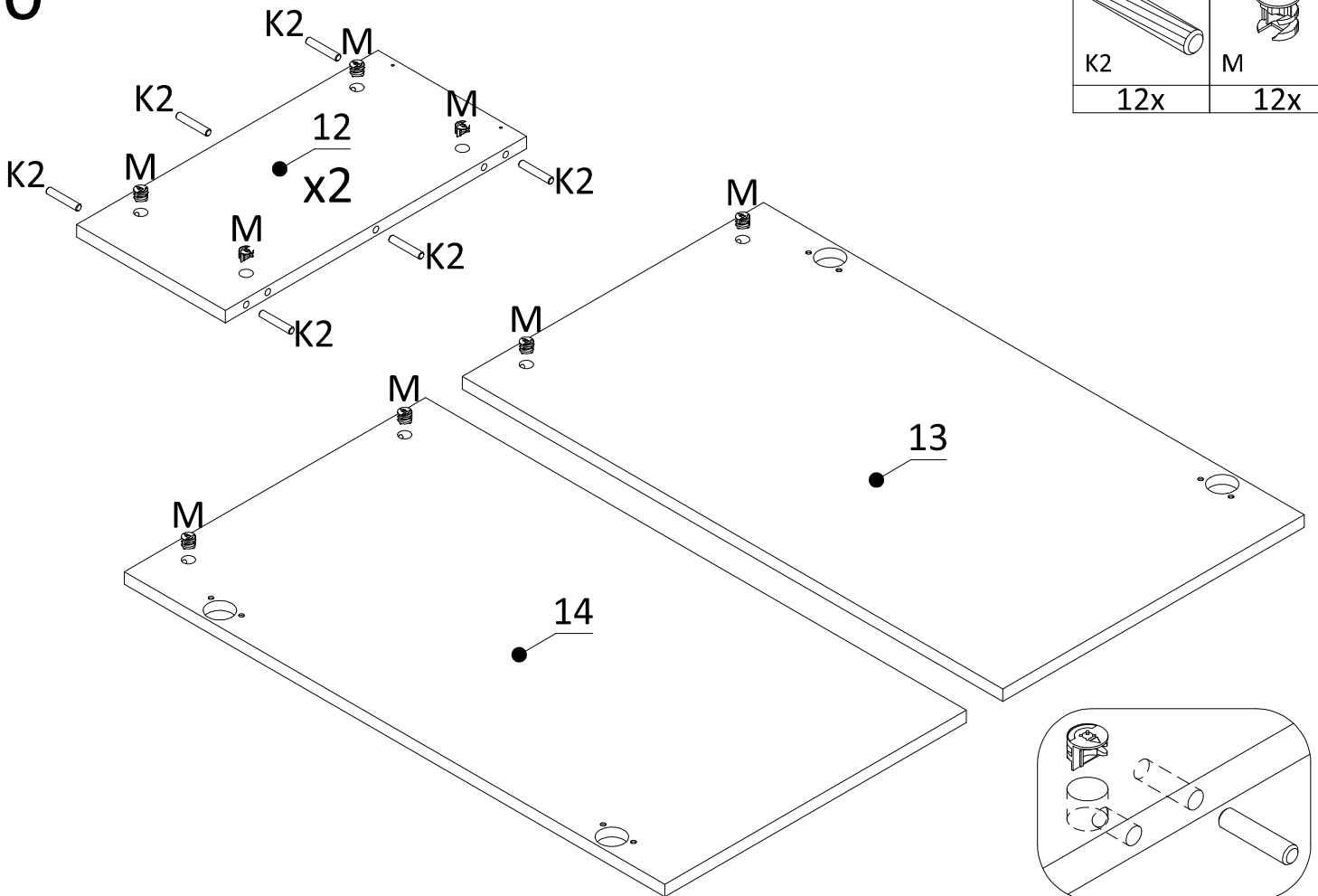
9



M

4x

10



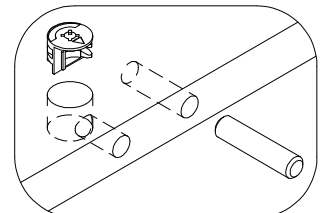
K2

12x

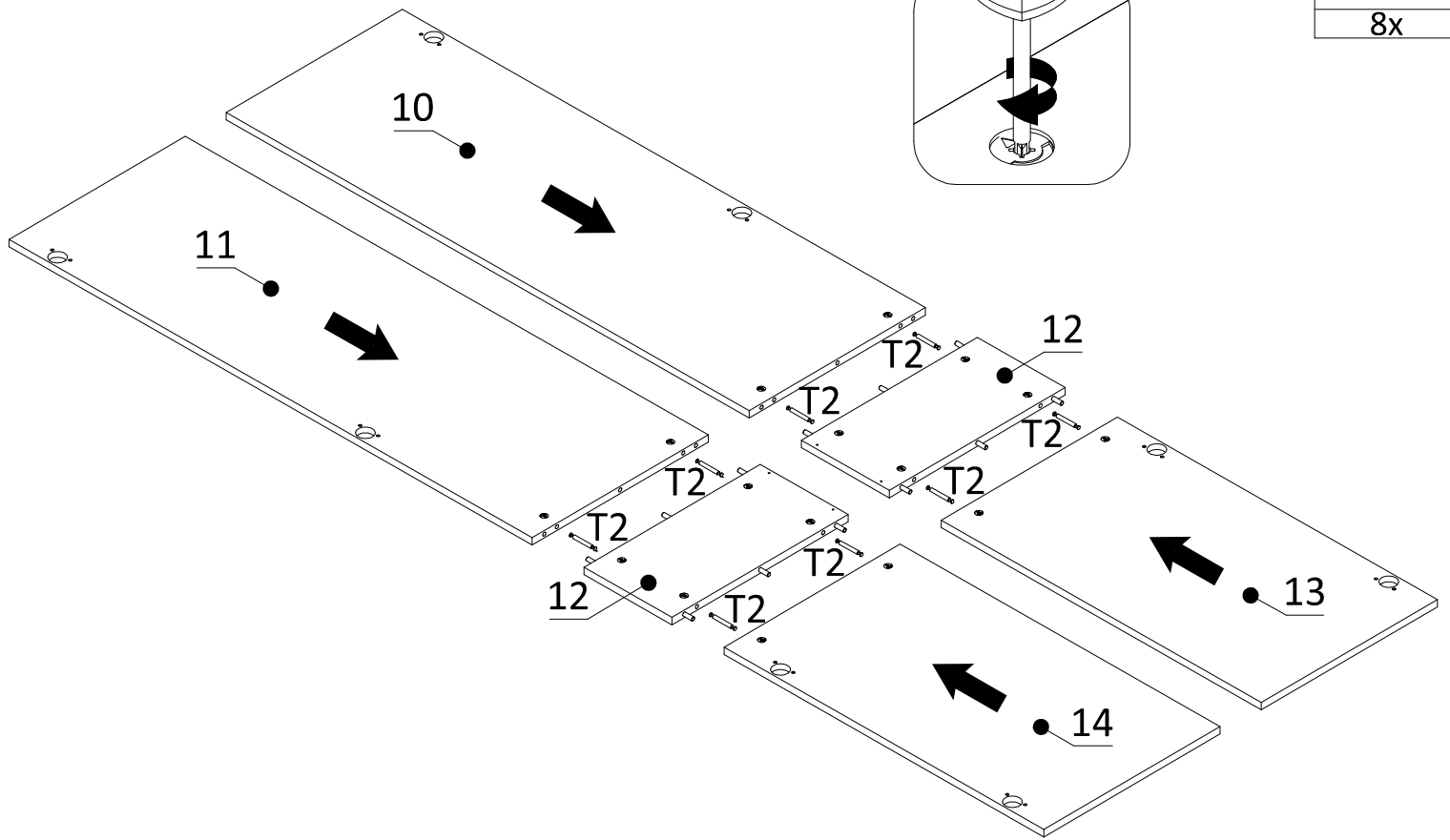


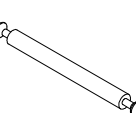
M

12x

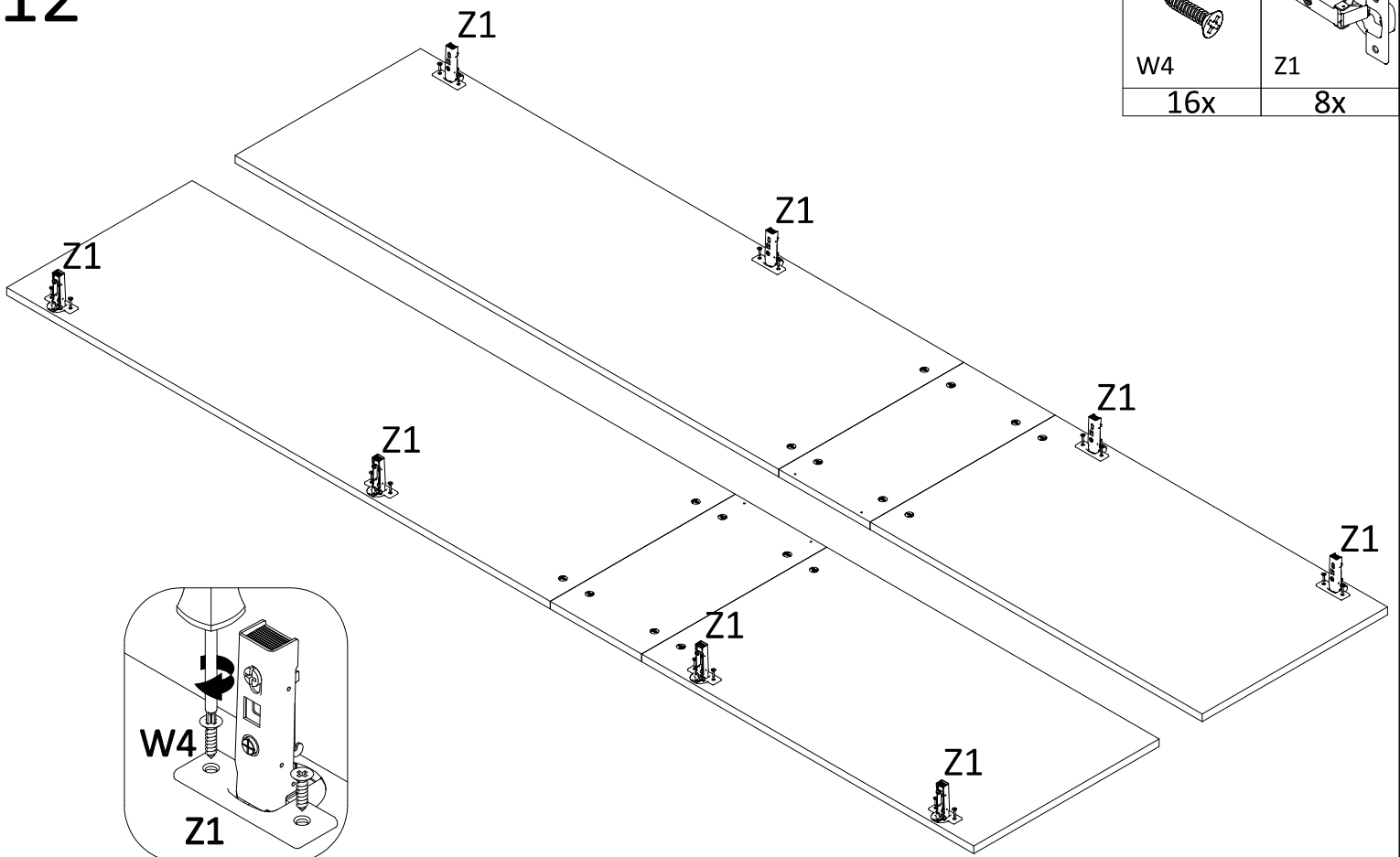



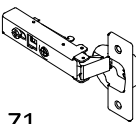
11

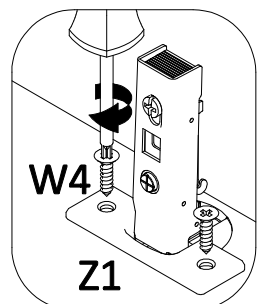



T2
8x


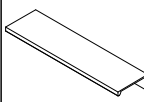
12

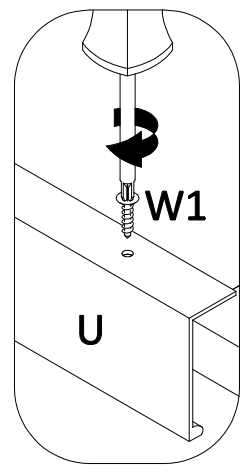
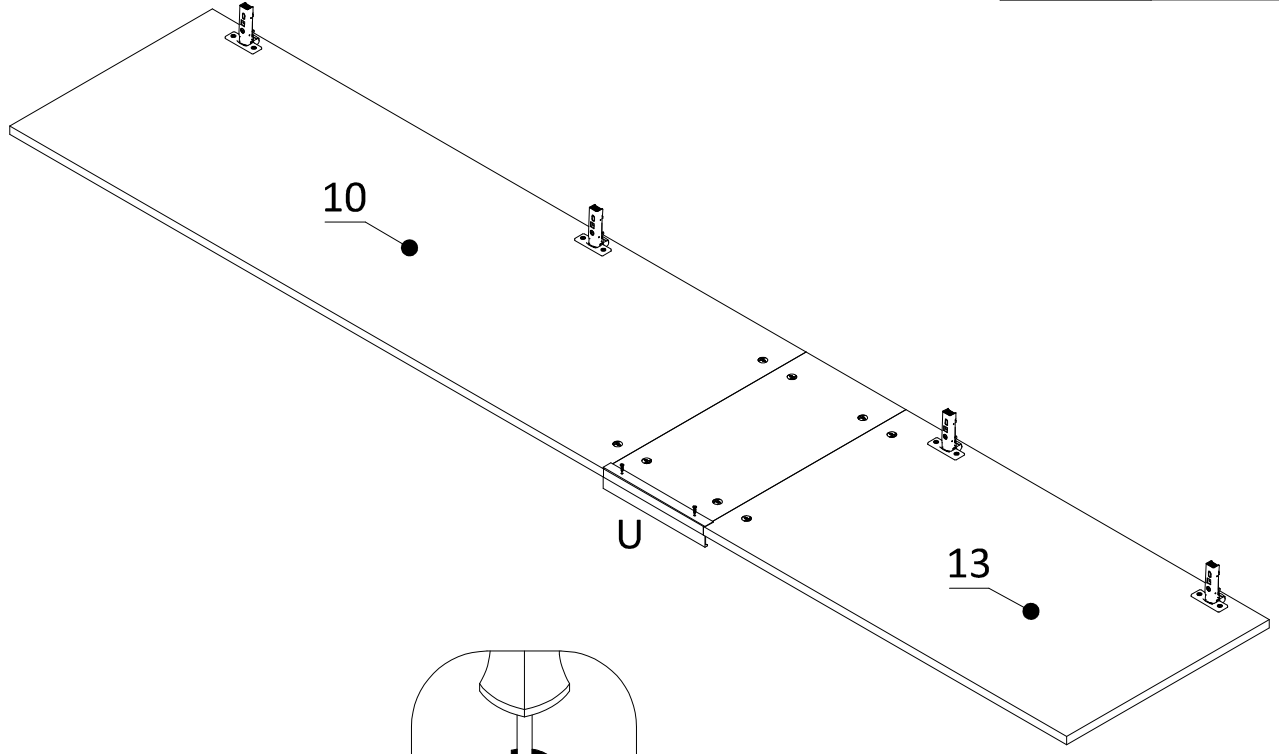
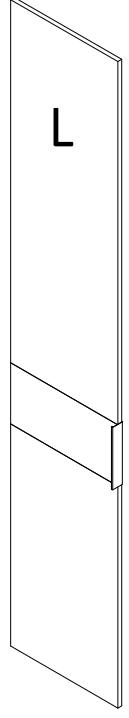


	
W4	Z1
16x	8x

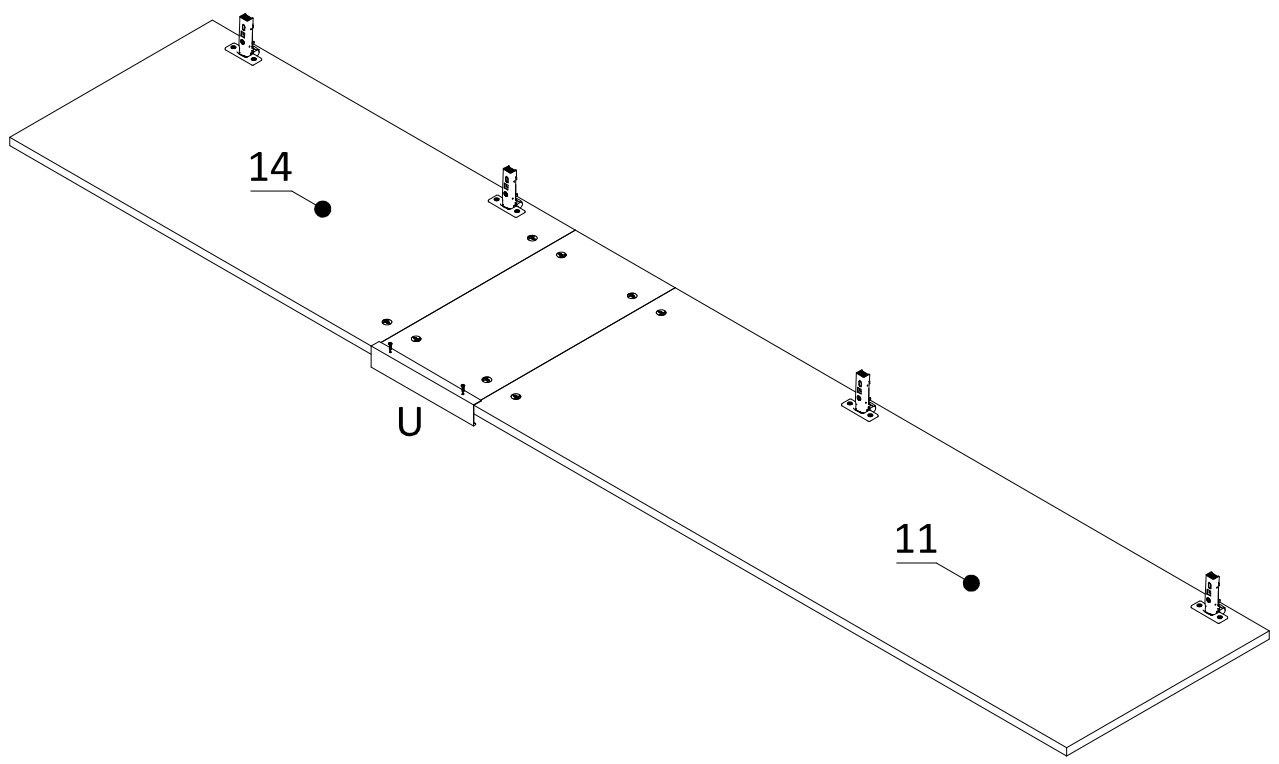
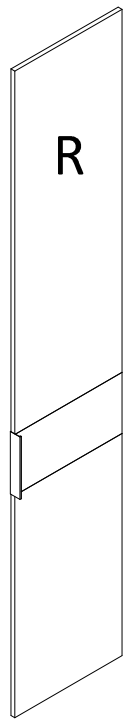


13 Option L

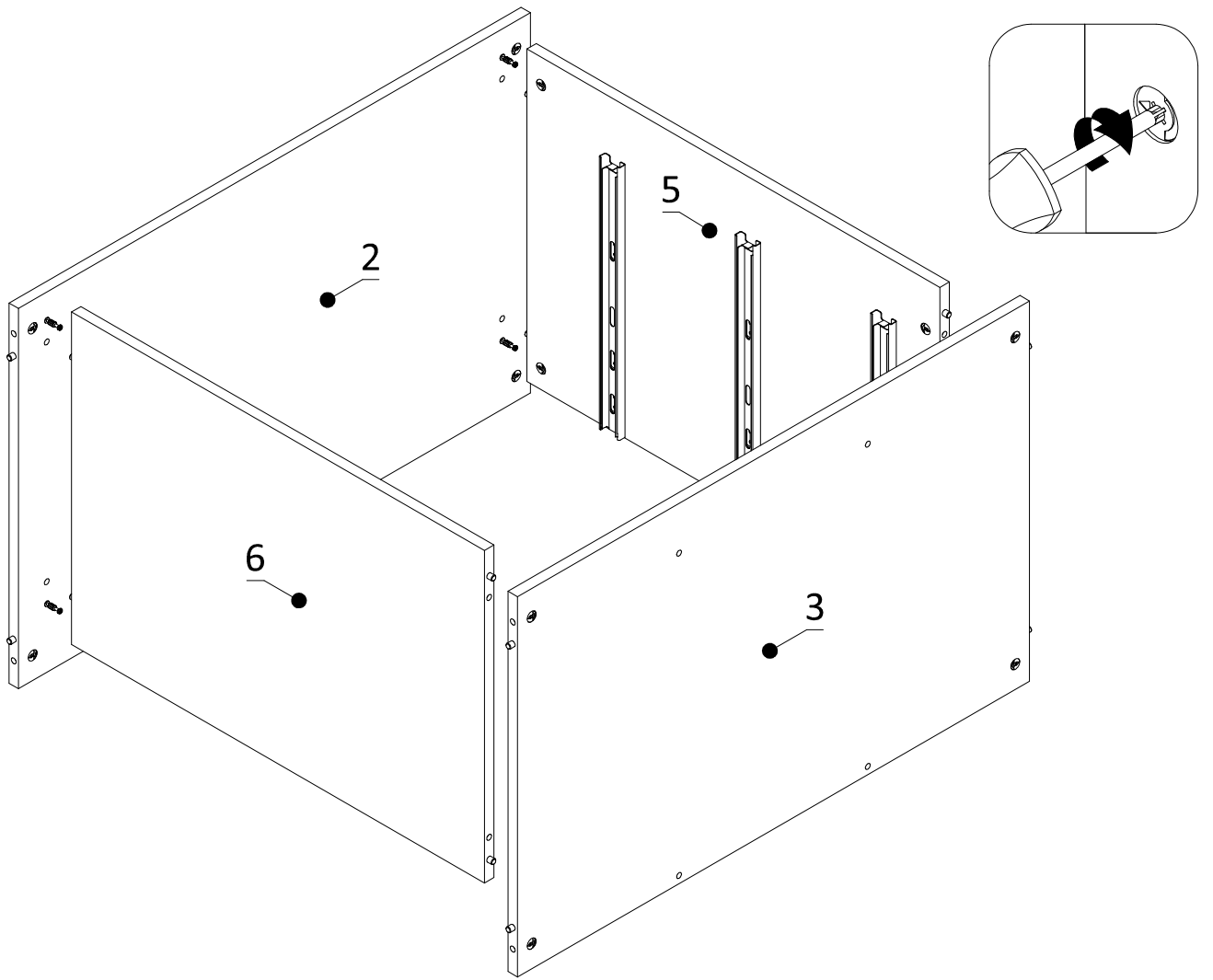
	
W1	U
2x	1x



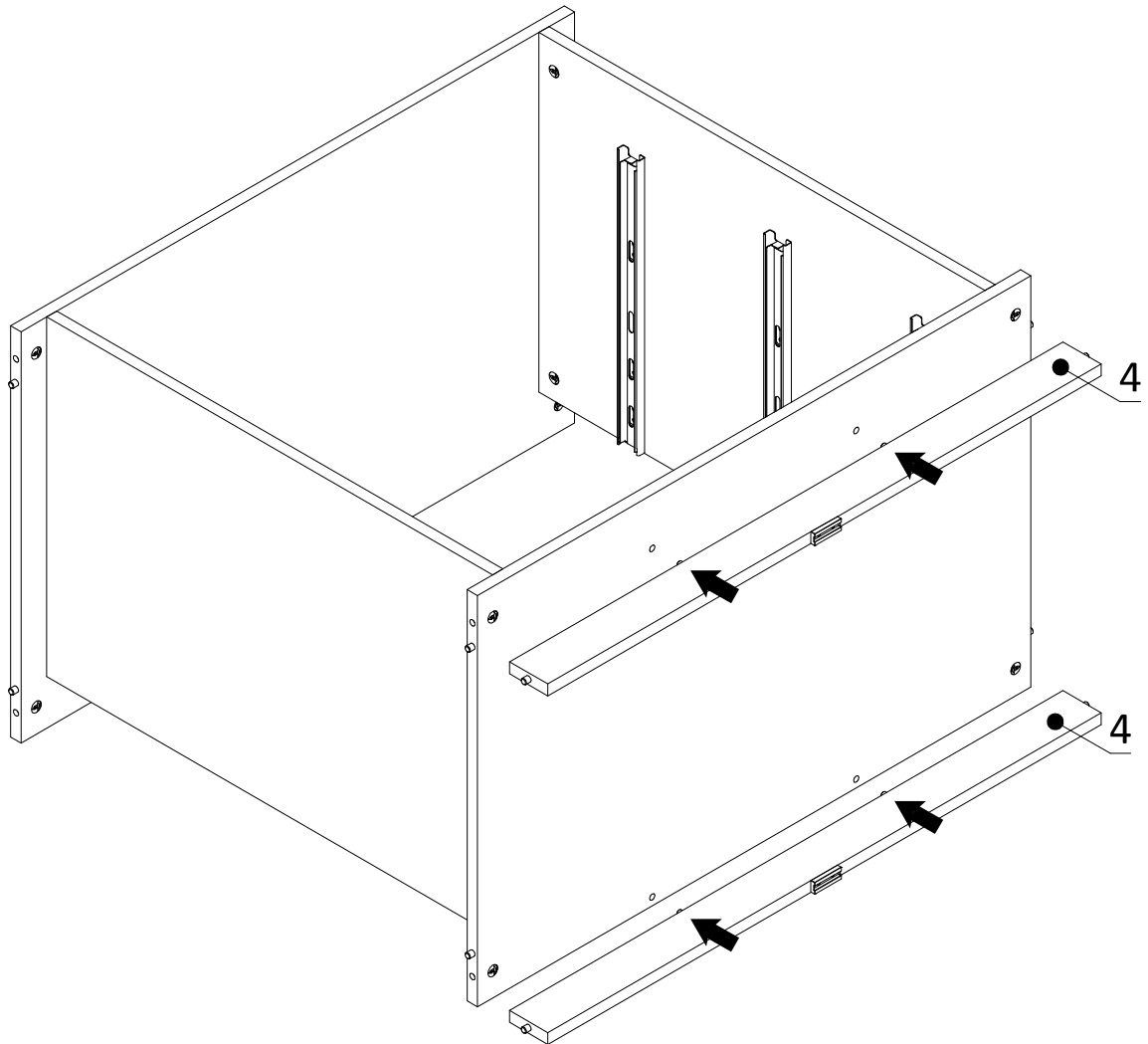
Option R



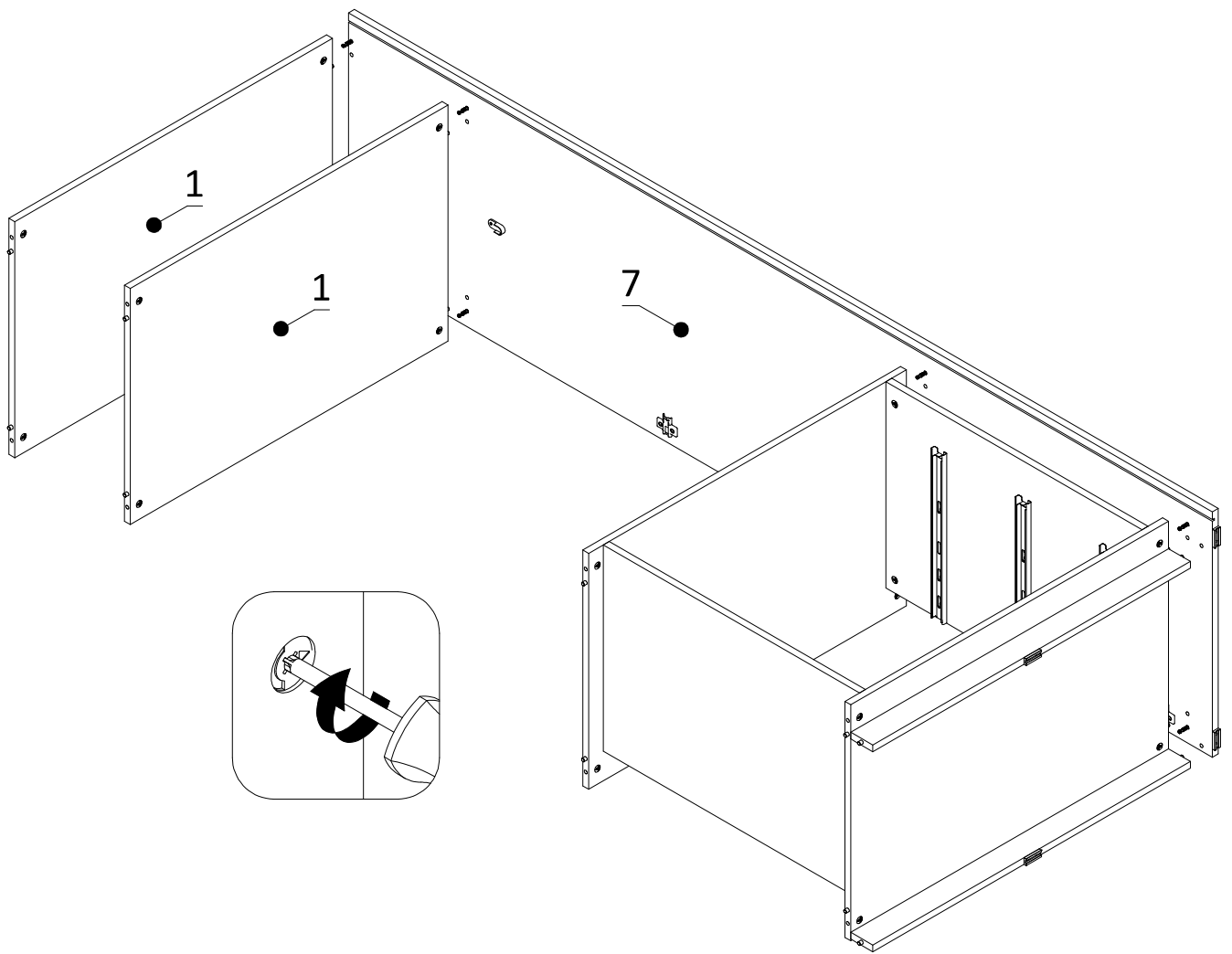
14



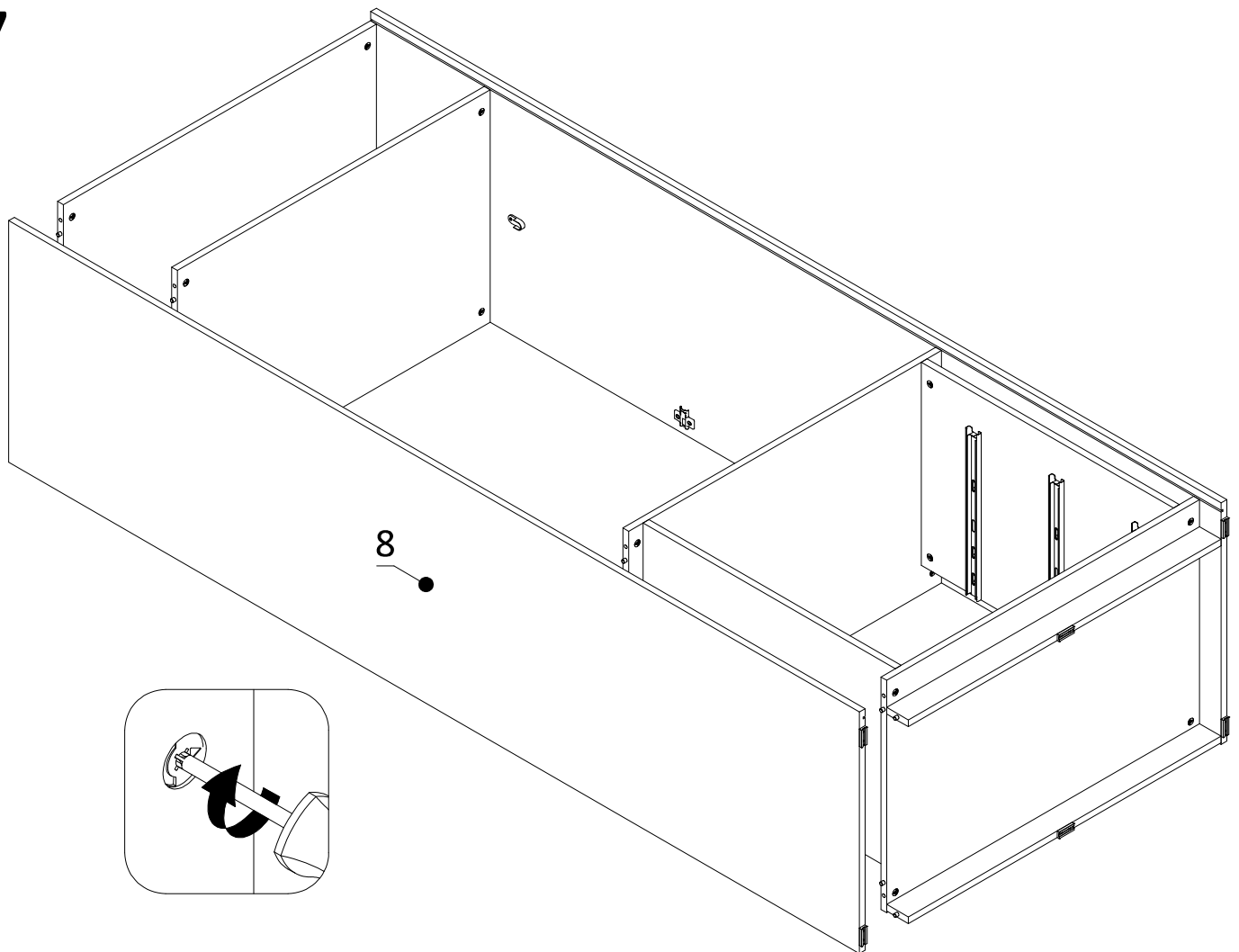
15



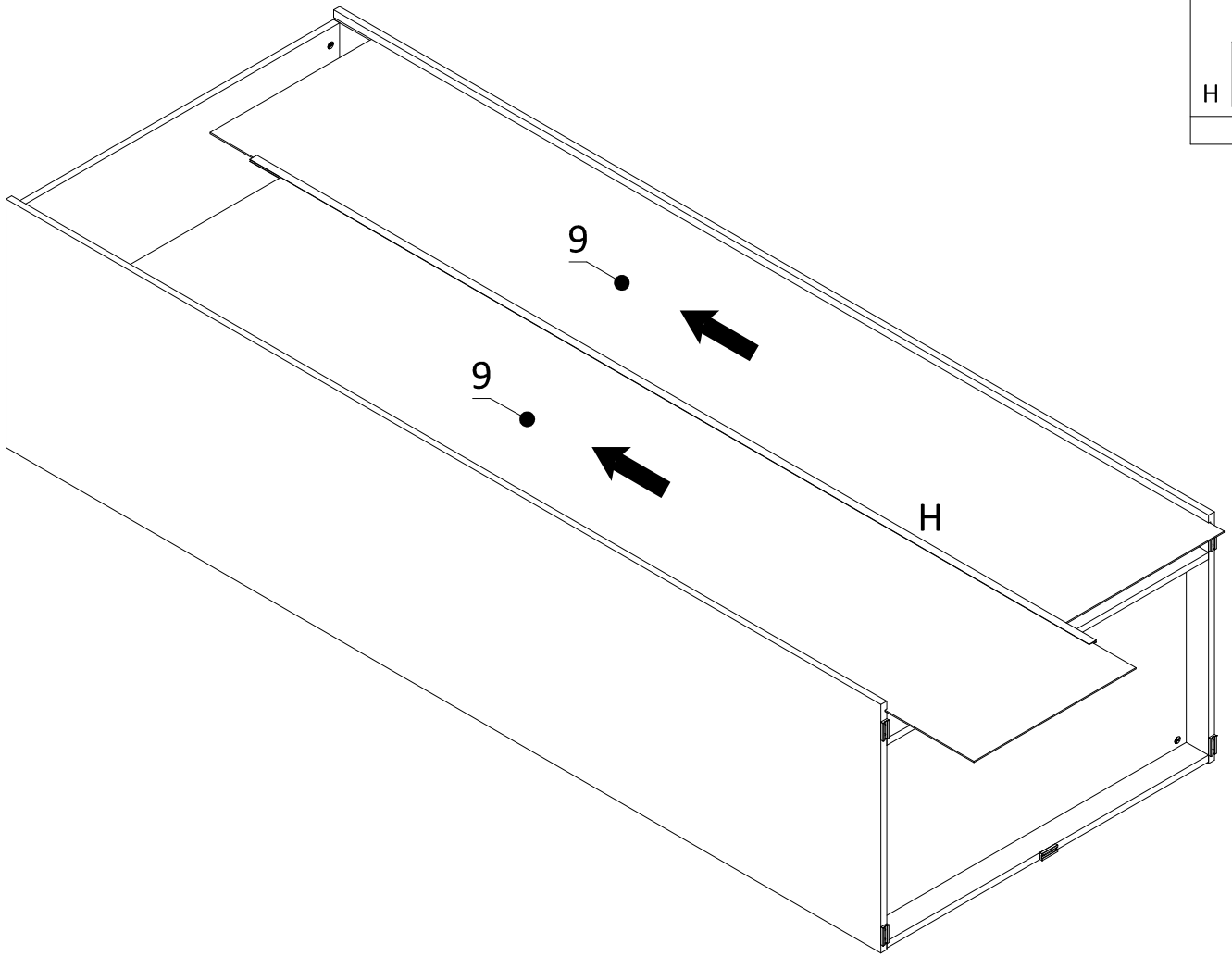
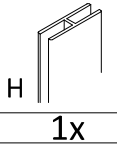
16



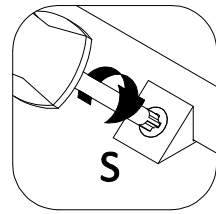
17



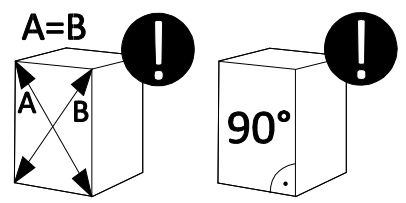
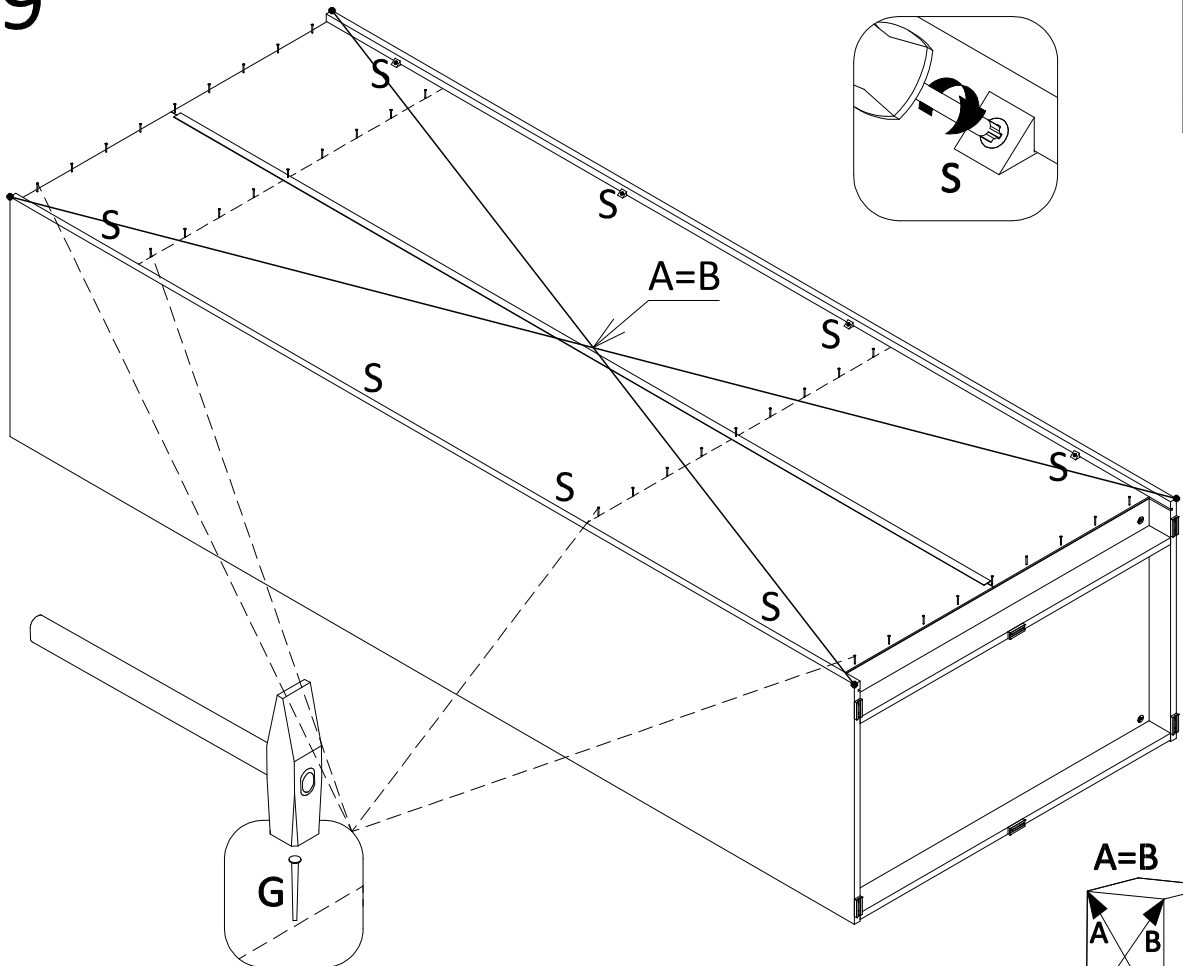
18



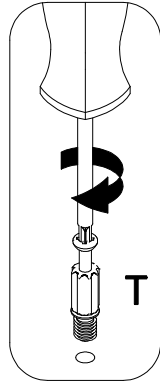
19


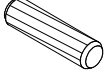


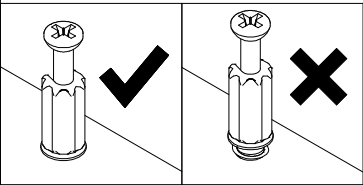
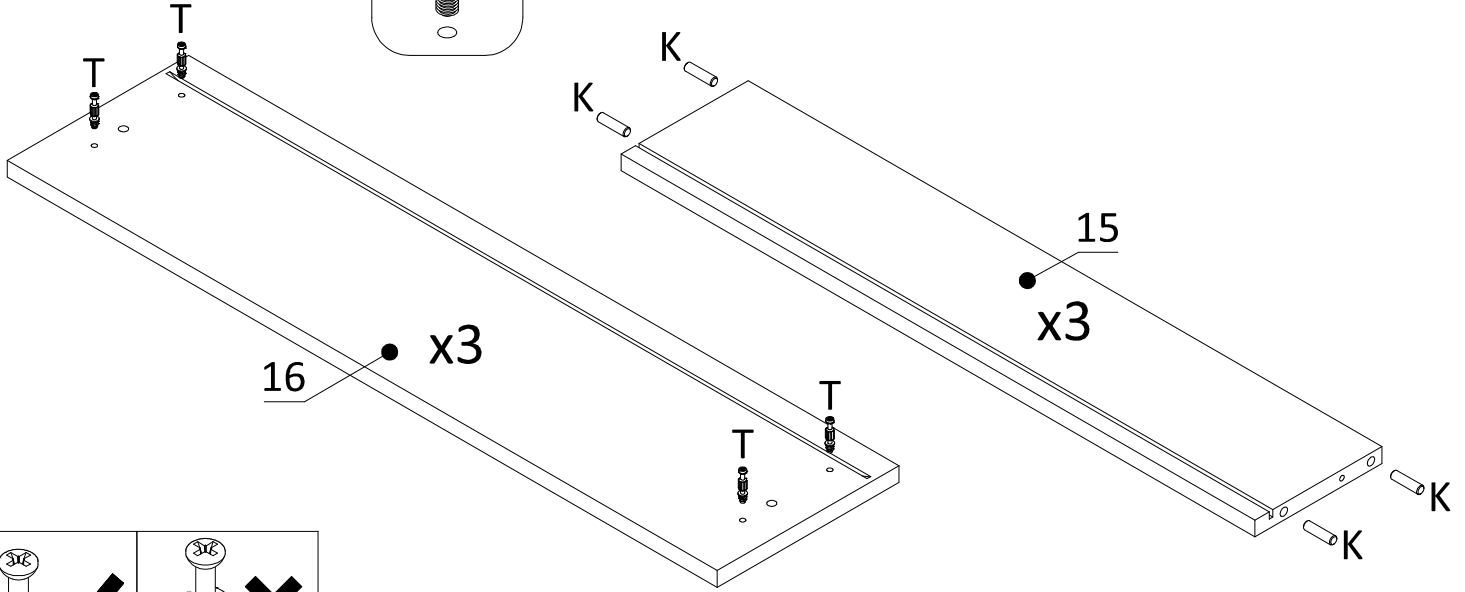
G	S
36x	8x



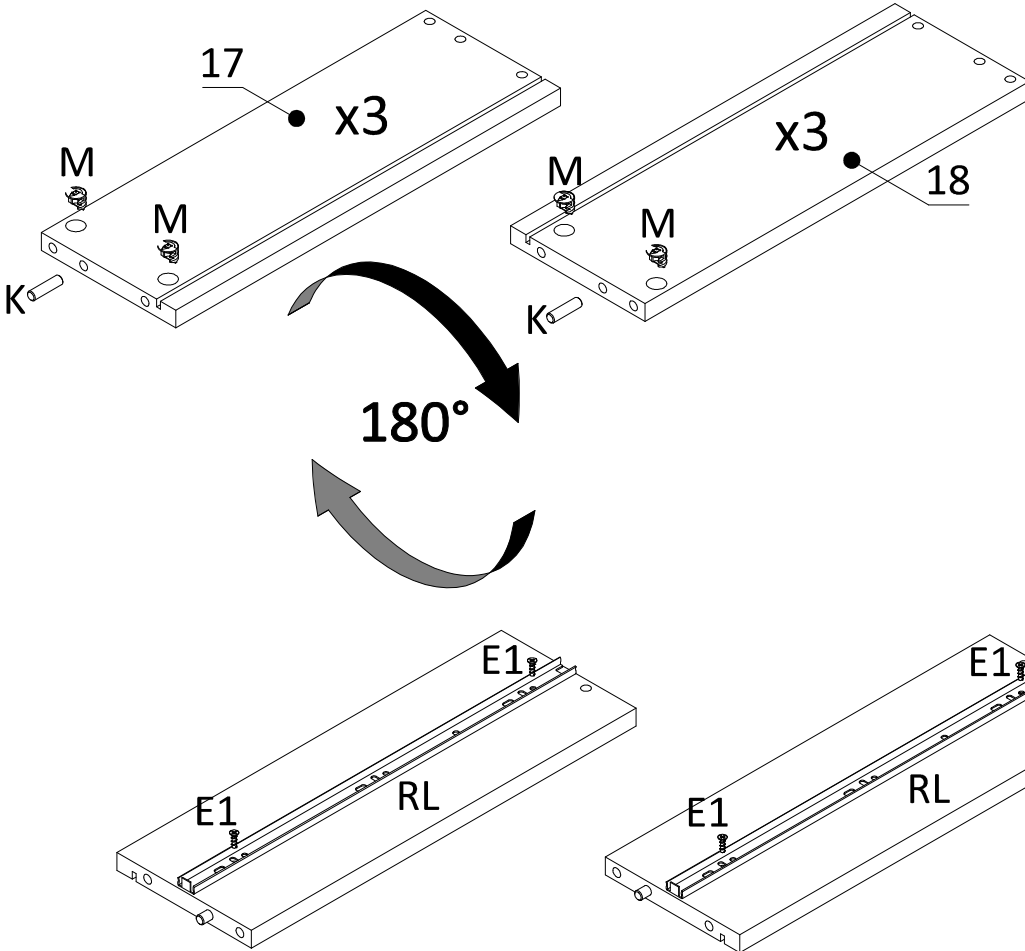
20



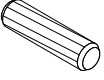
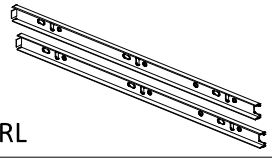


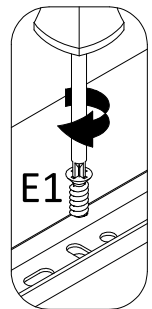
	
T	K
12x	12x



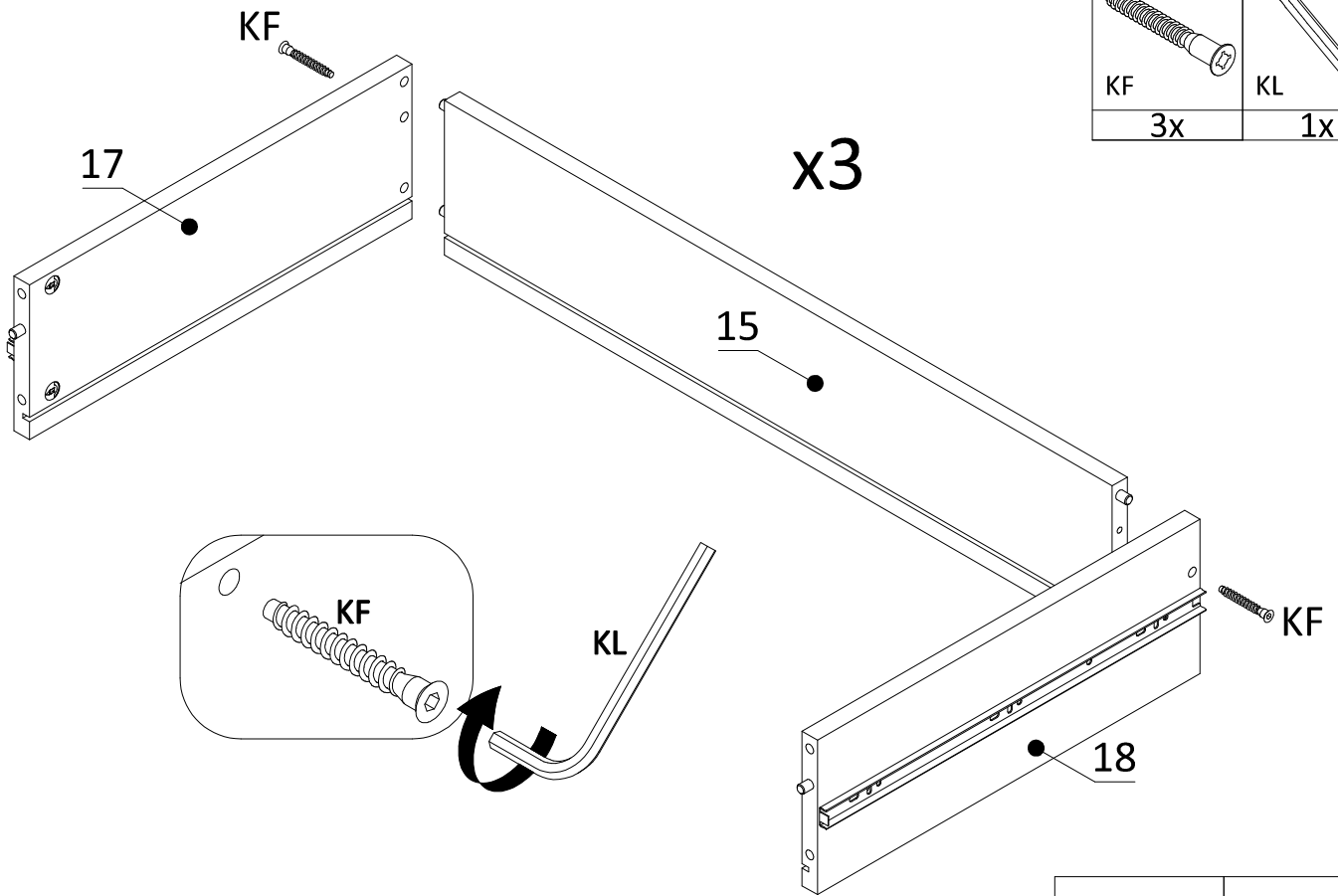
21



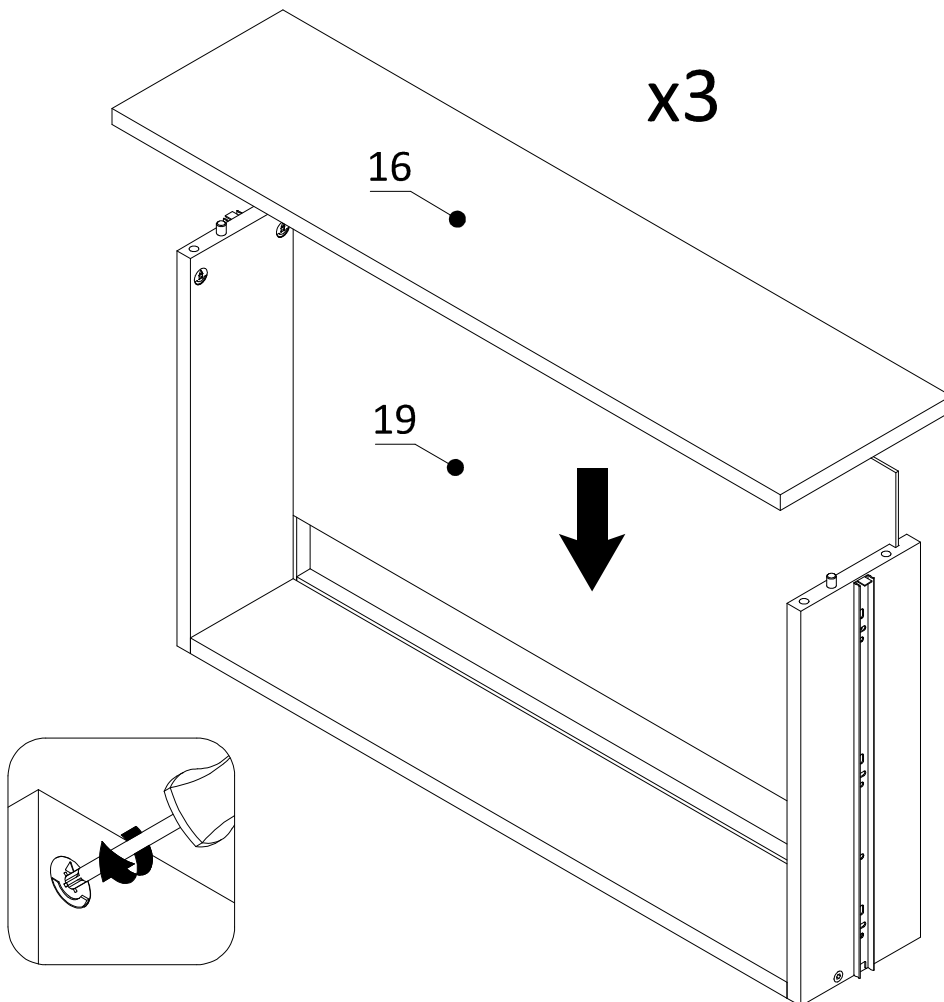
		
E1	M	K
12x	12x	6x
		
RL		
3x		



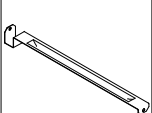

22



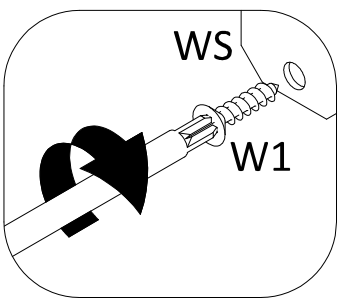
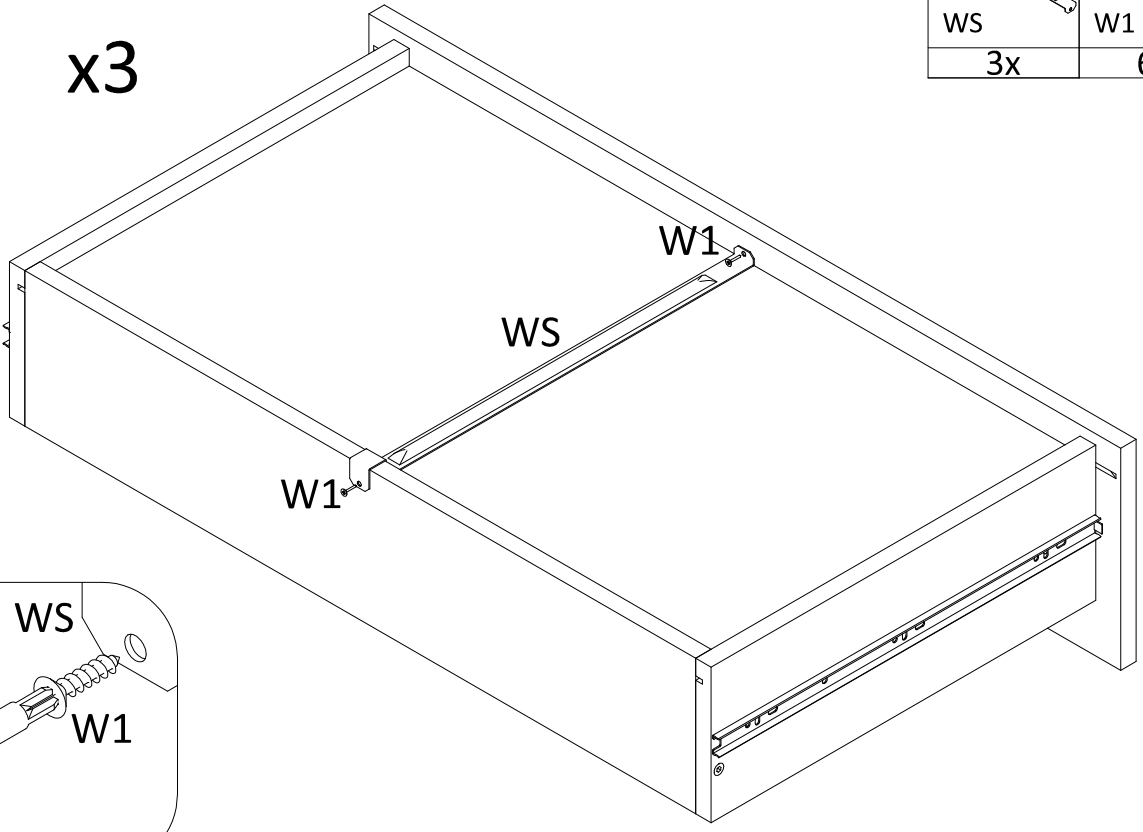
23



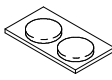



24

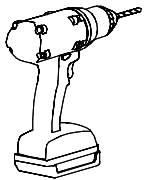
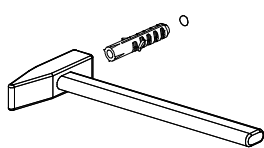
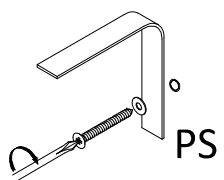
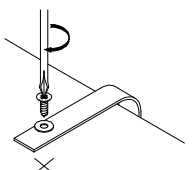
	
WS	W1
3x	6x

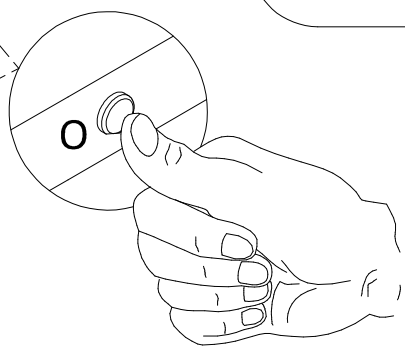
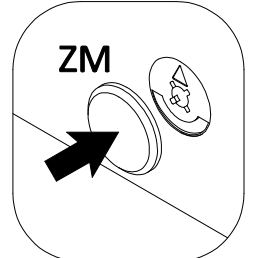
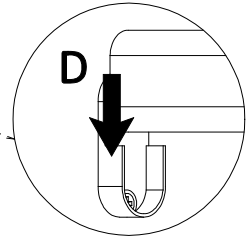
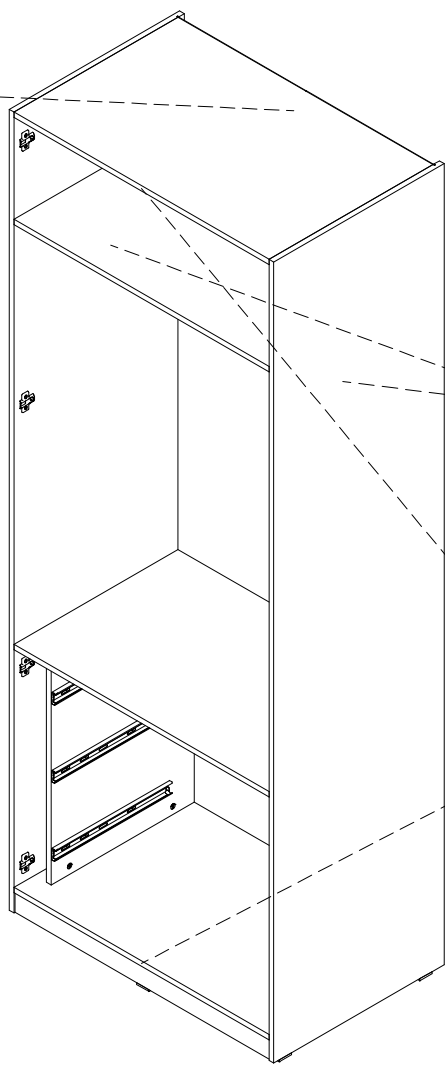
x3



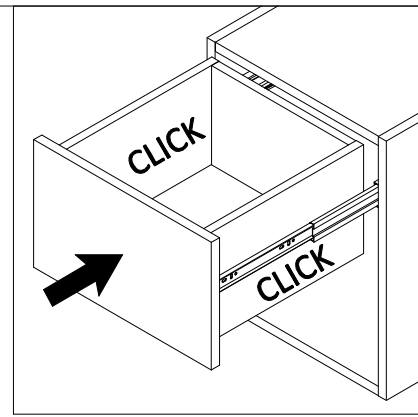
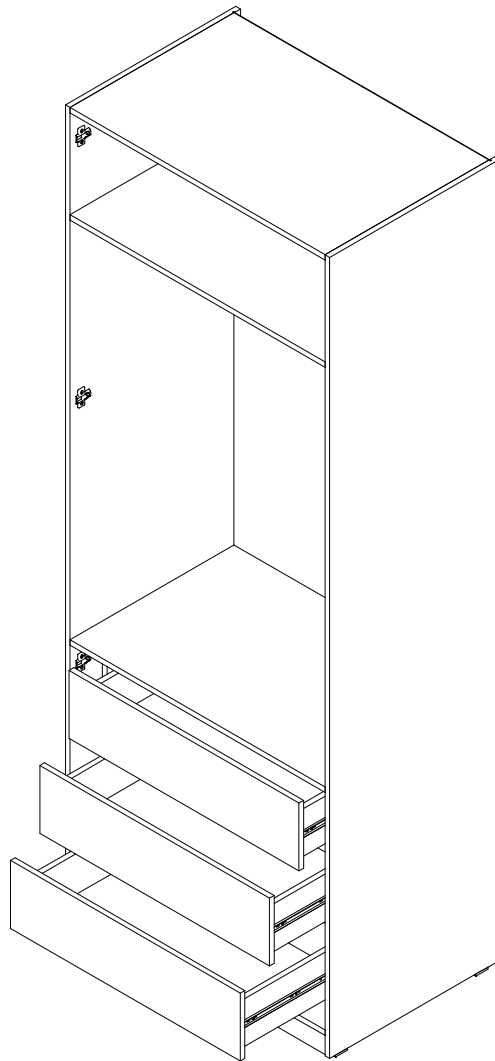
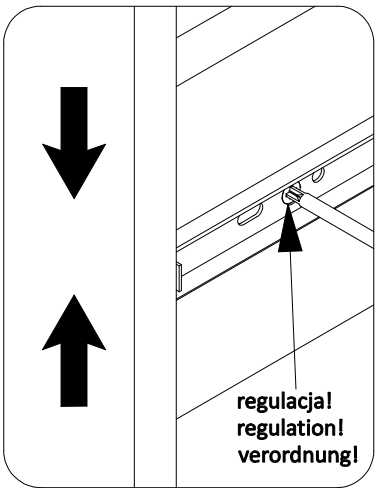
25

			
O	D	ZM	PS
4x	1x	36x	1x

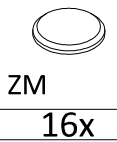
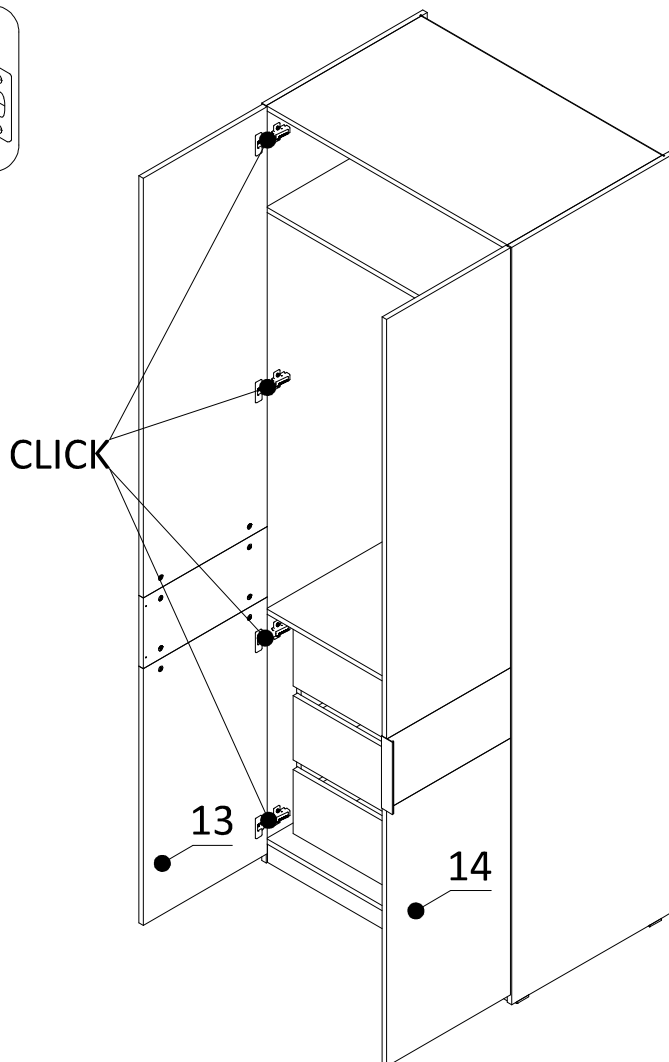
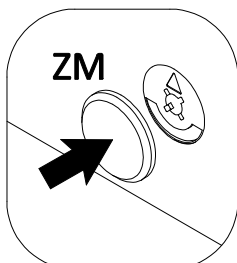
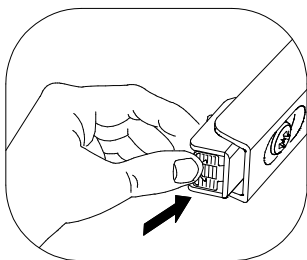
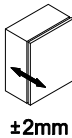
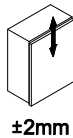
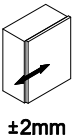
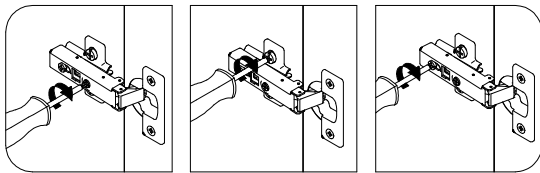
- 1 
- 2 
- 3 
- 4 



26



27



ZM
16x