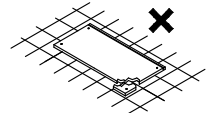
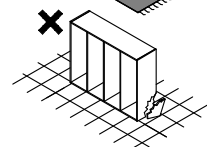
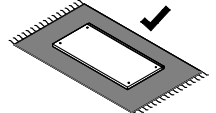
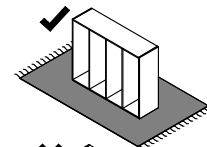
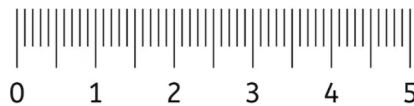
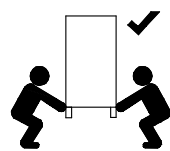
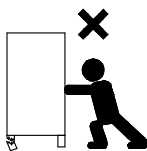
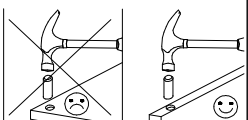
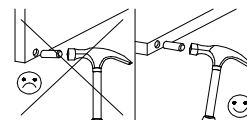
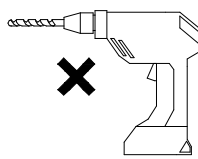
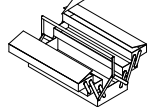
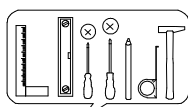
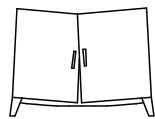
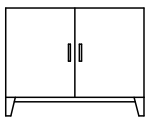
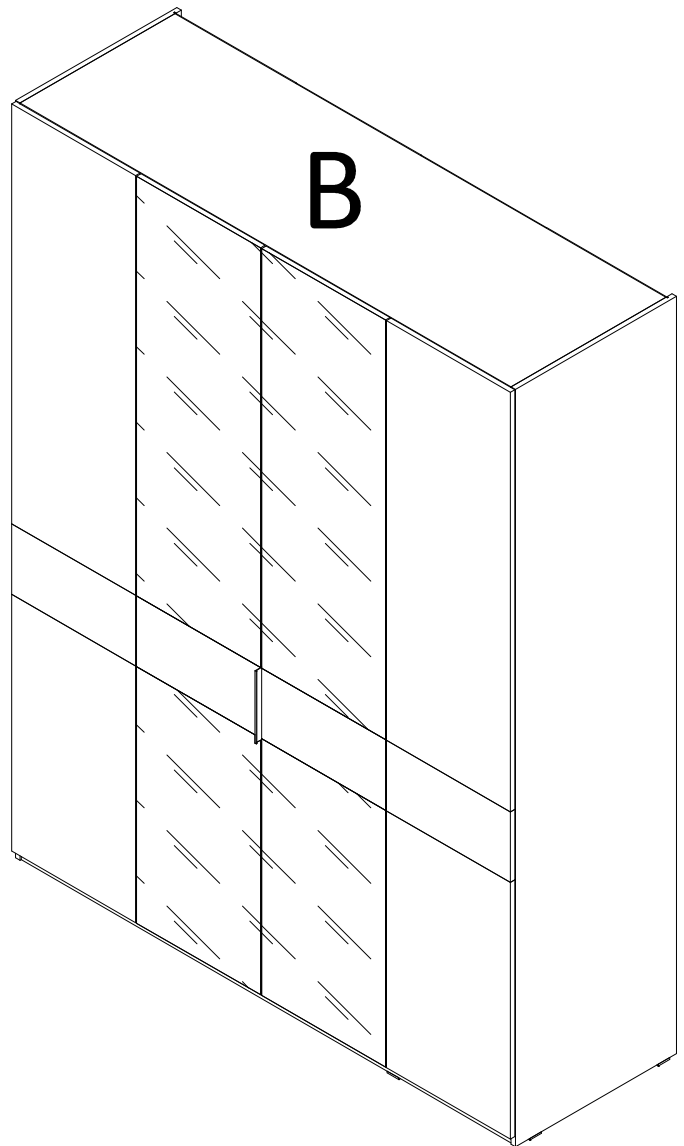
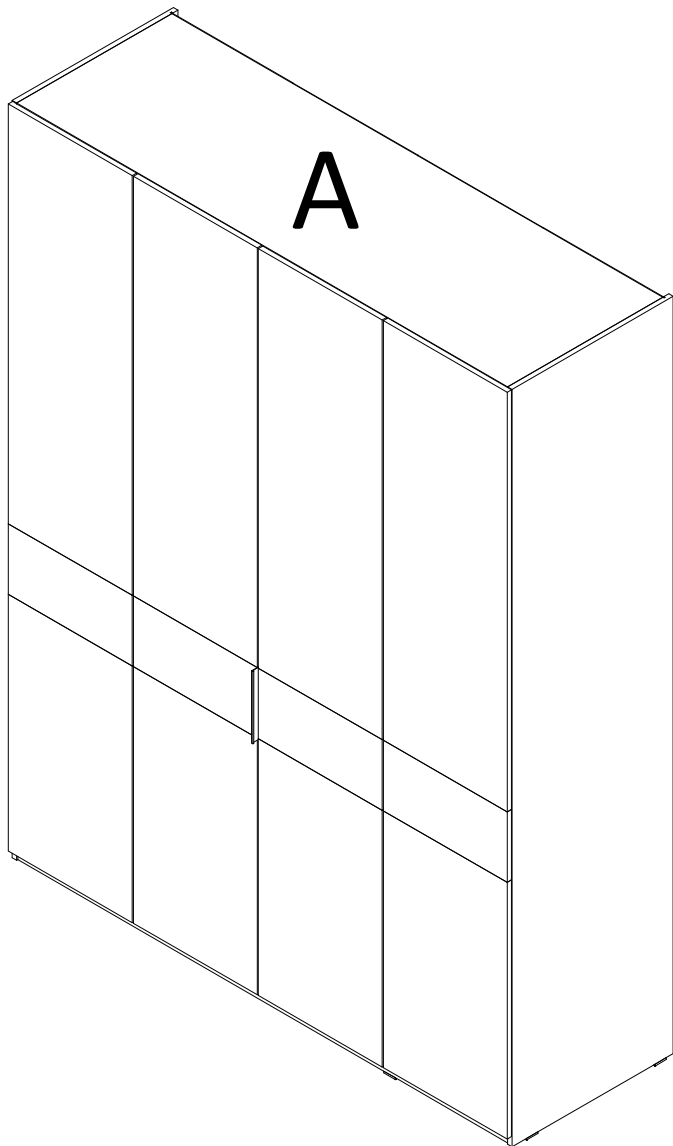
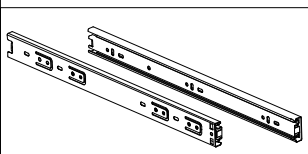
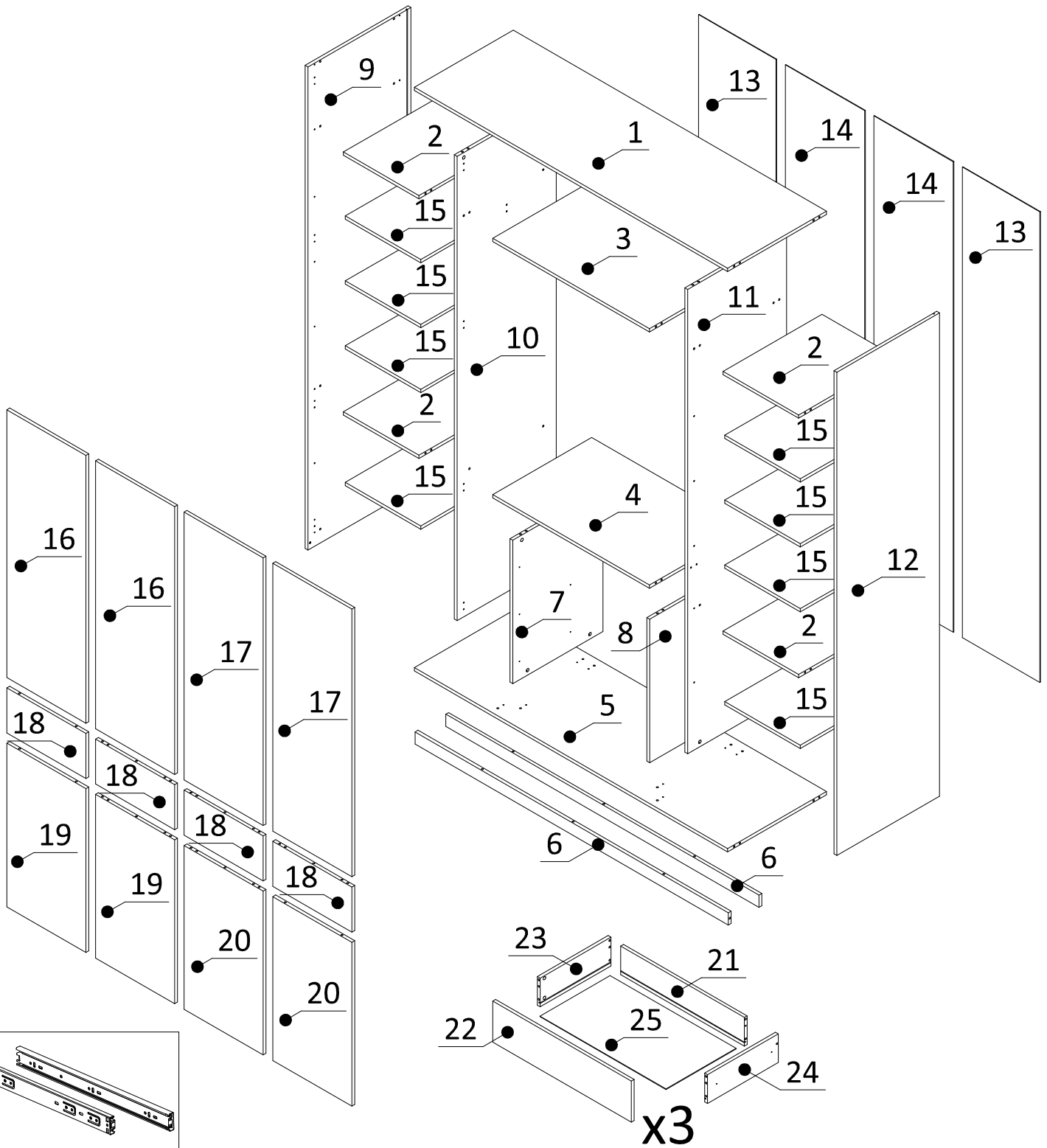


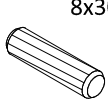
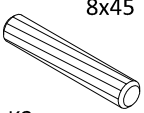

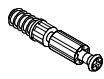
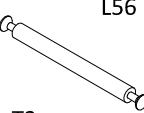
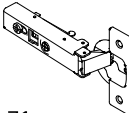
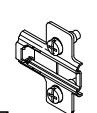
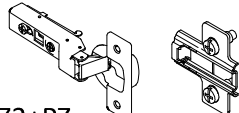
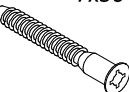





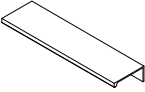
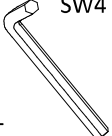
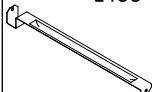
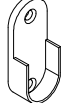
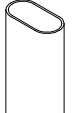
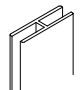

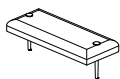

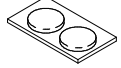
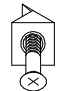



SORENO

Szafa 180

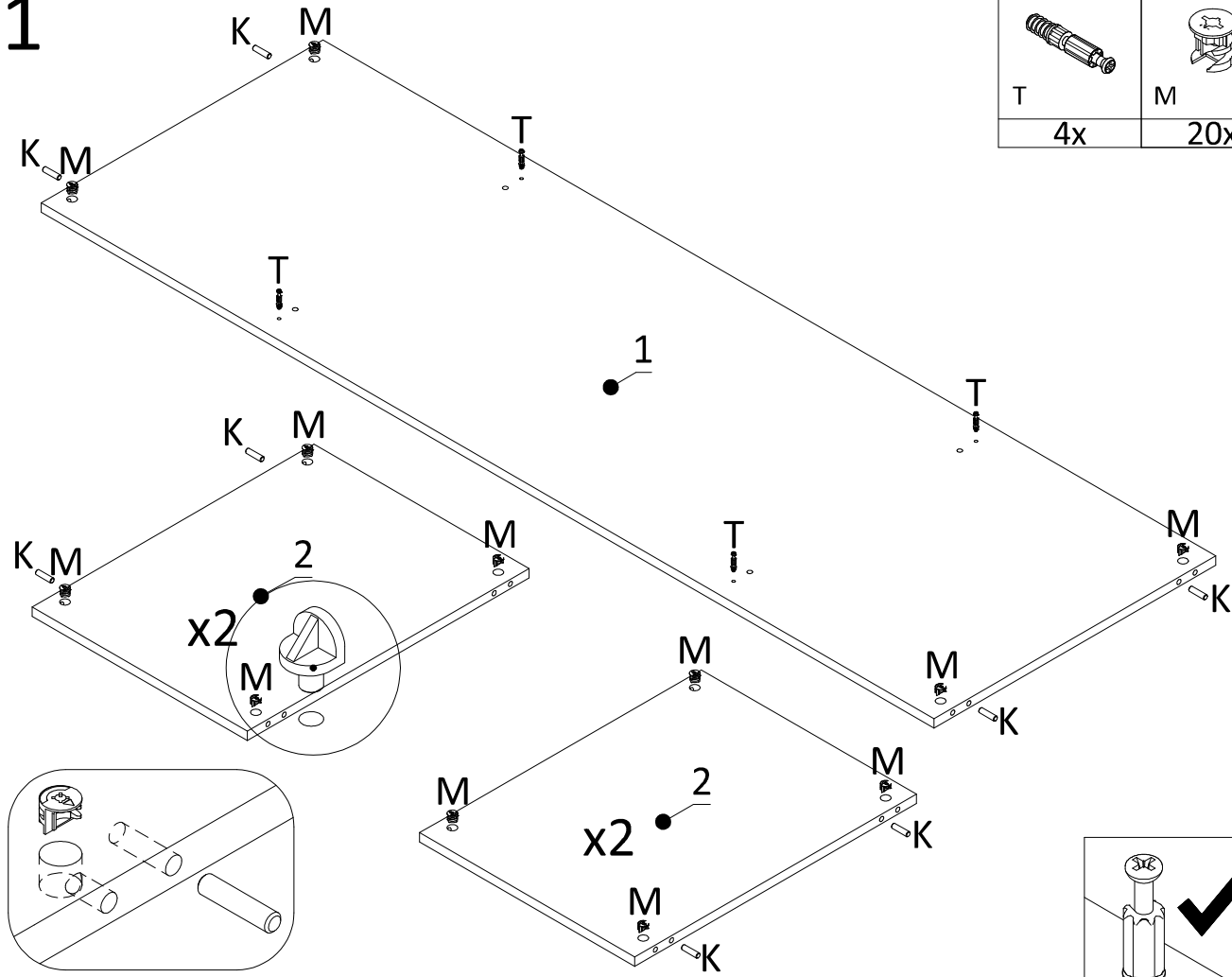


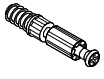

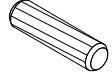


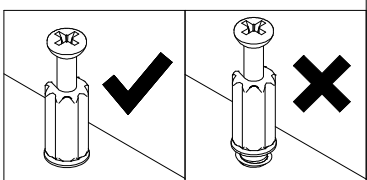
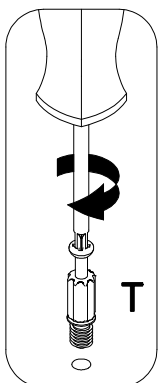
3x PH-0H35-400

 K	 K2	 M	 T	 T2	 Z1	 PZ	 Z2+PZ			
68x	28x	92x	52x	20x	8x	8x	8x			
 KF	 E1	 W4	 W2	 W1	 TP	 U	 KL	 WS	 R	
6x	24x	36x	46x	2x	2x	2x	1x	3x	1x	
 D	 H	 ZM	 SL	 P	 O	 S	 PM	 G	 PS	
1x	1x	92x	8x	32x	4x	8x	40x	80x	1x	

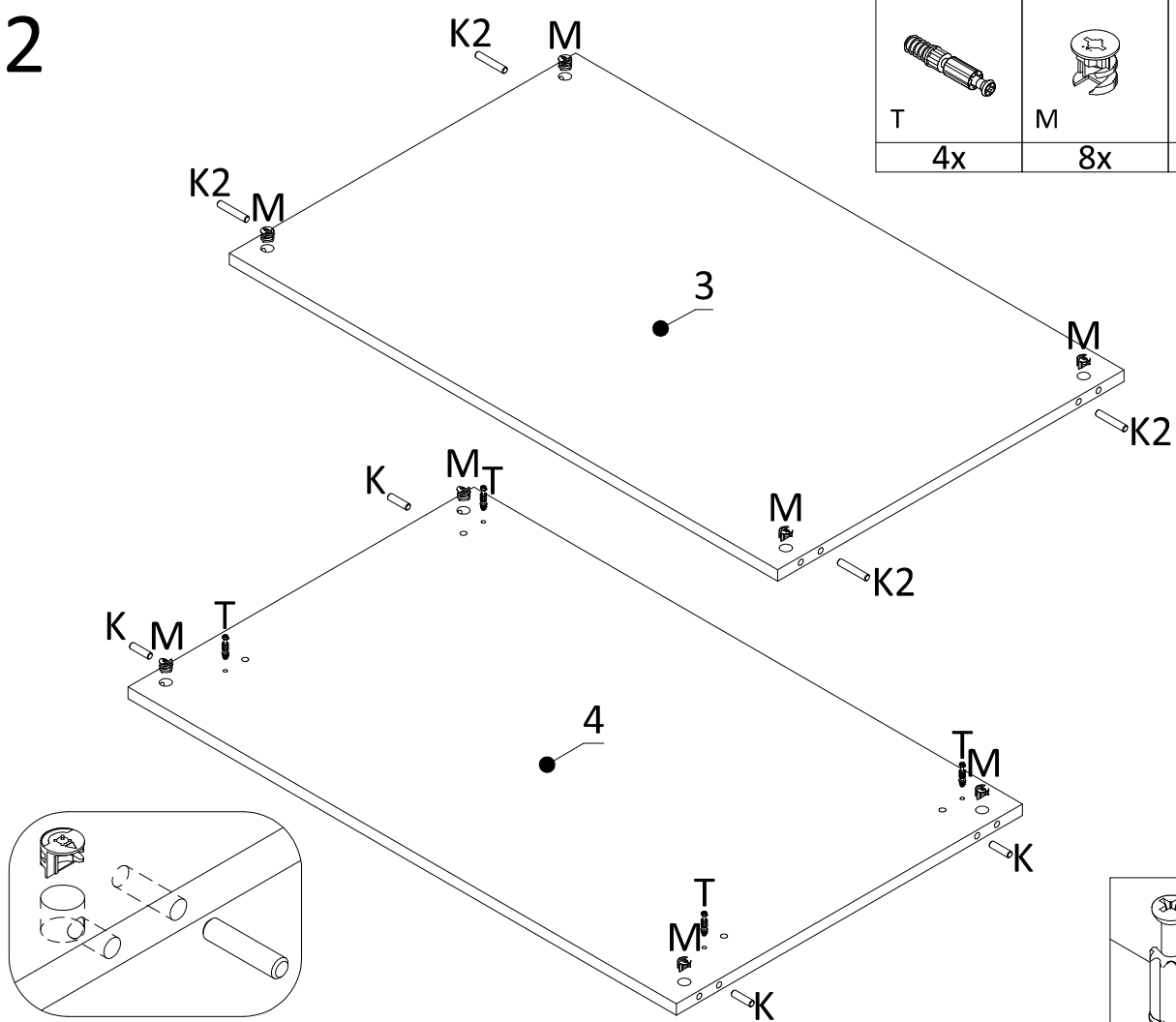
1

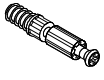

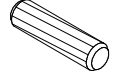



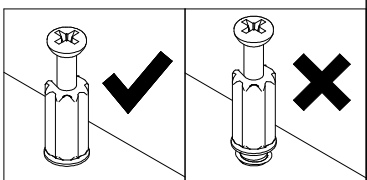
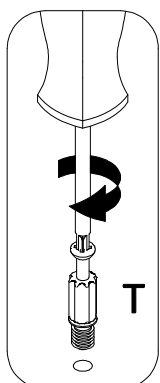
		
T	M	K
4x	20x	12x



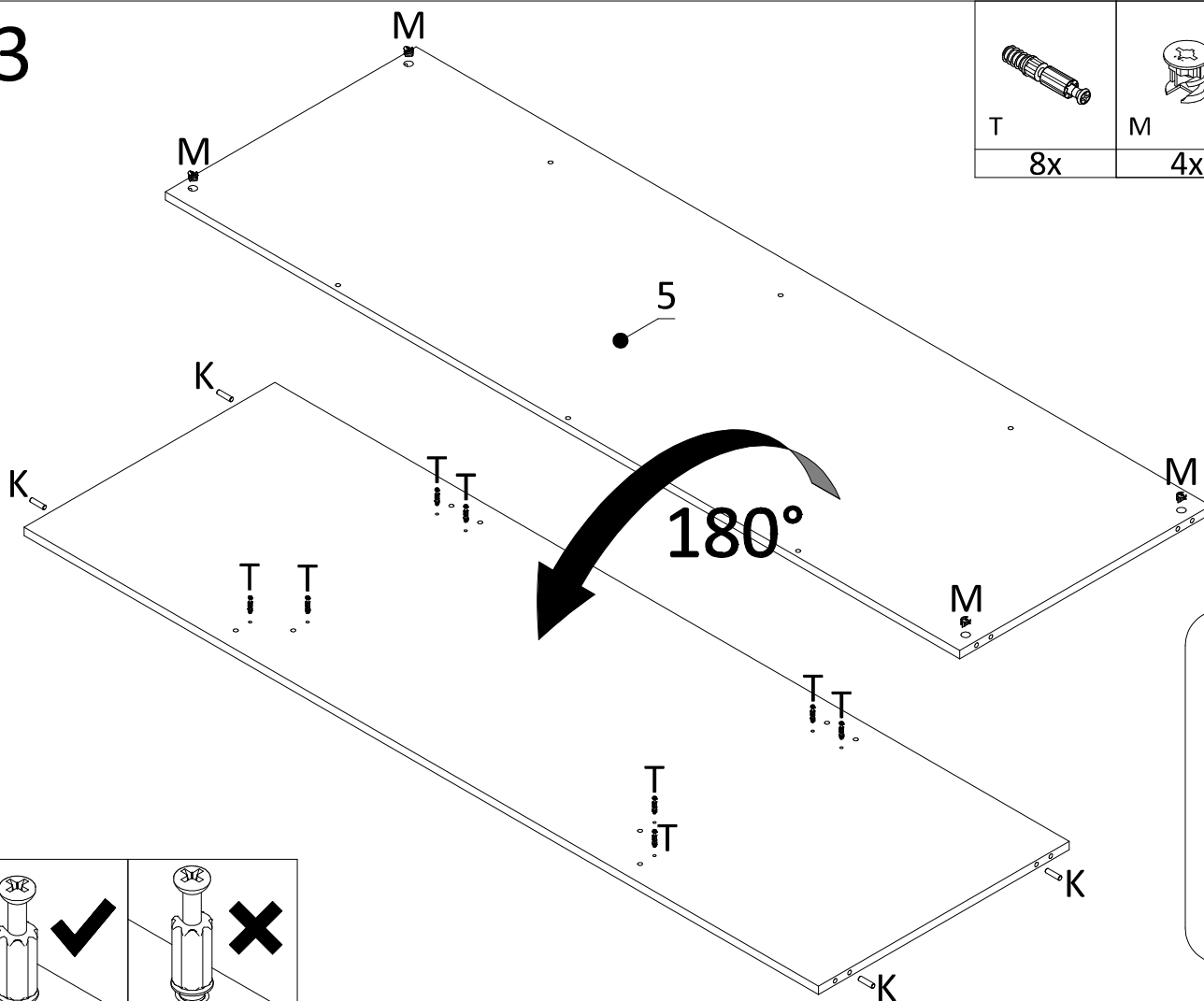
2

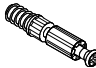

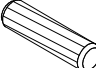


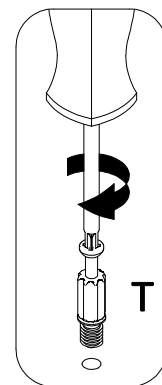
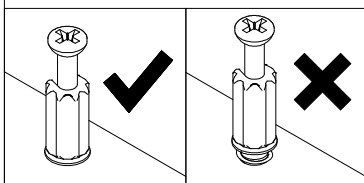
			
T	M	K	K2
4x	8x	4x	4x



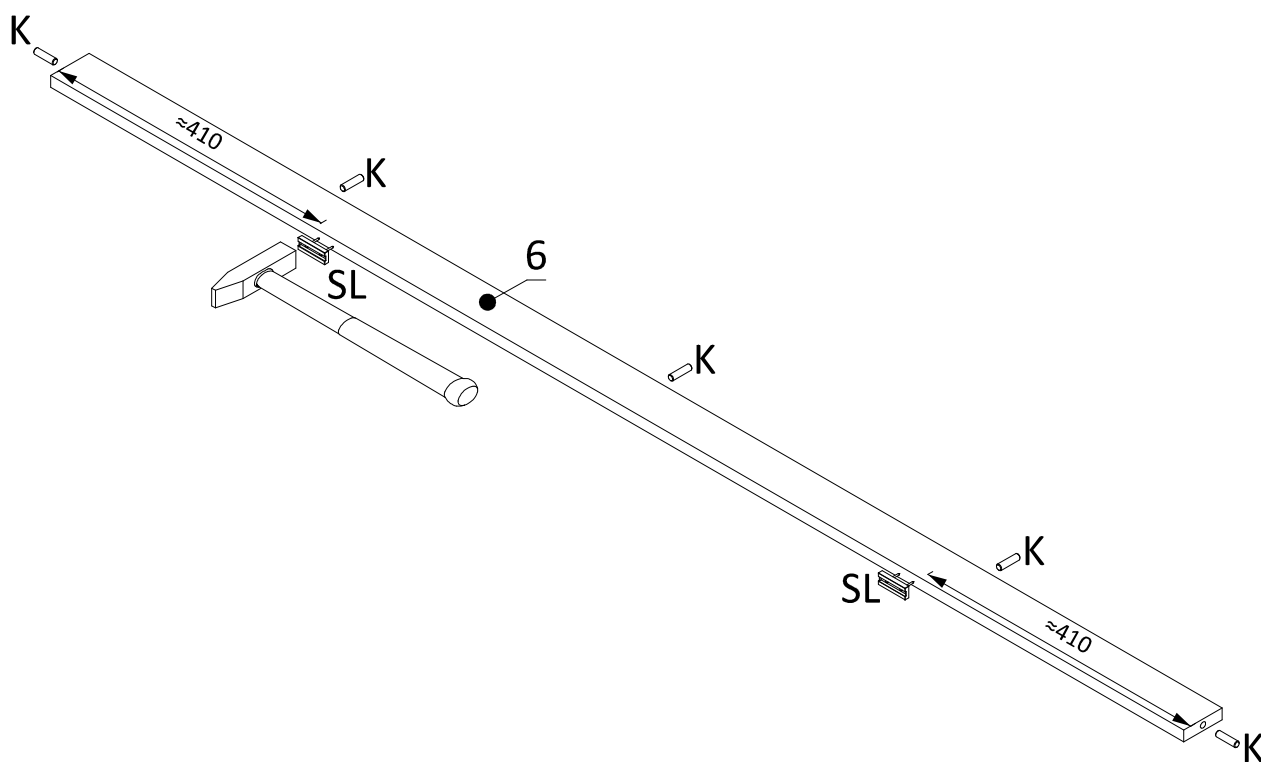
3

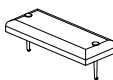
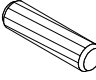


		
T	M	K
8x	4x	4x

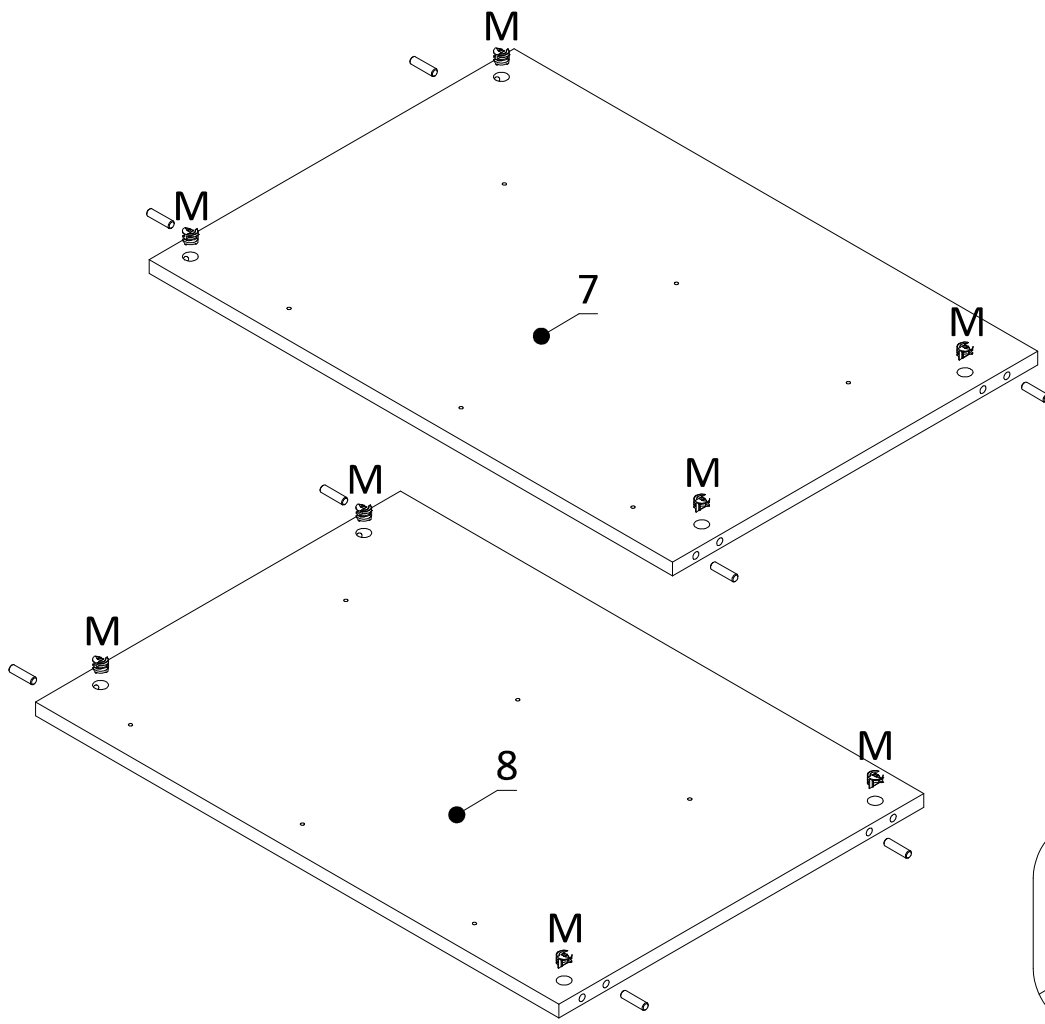


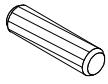

4

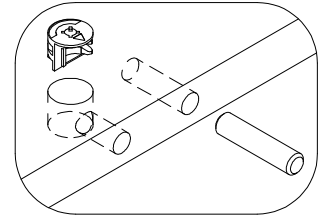


	
SL	K
4x	10x

5




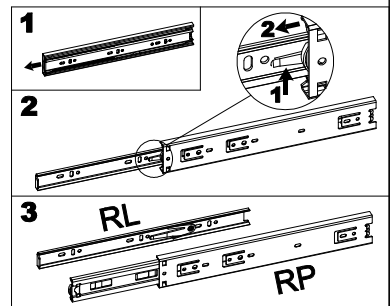
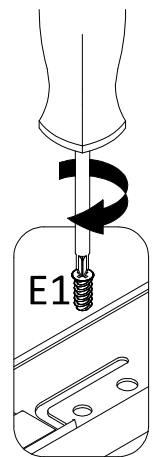
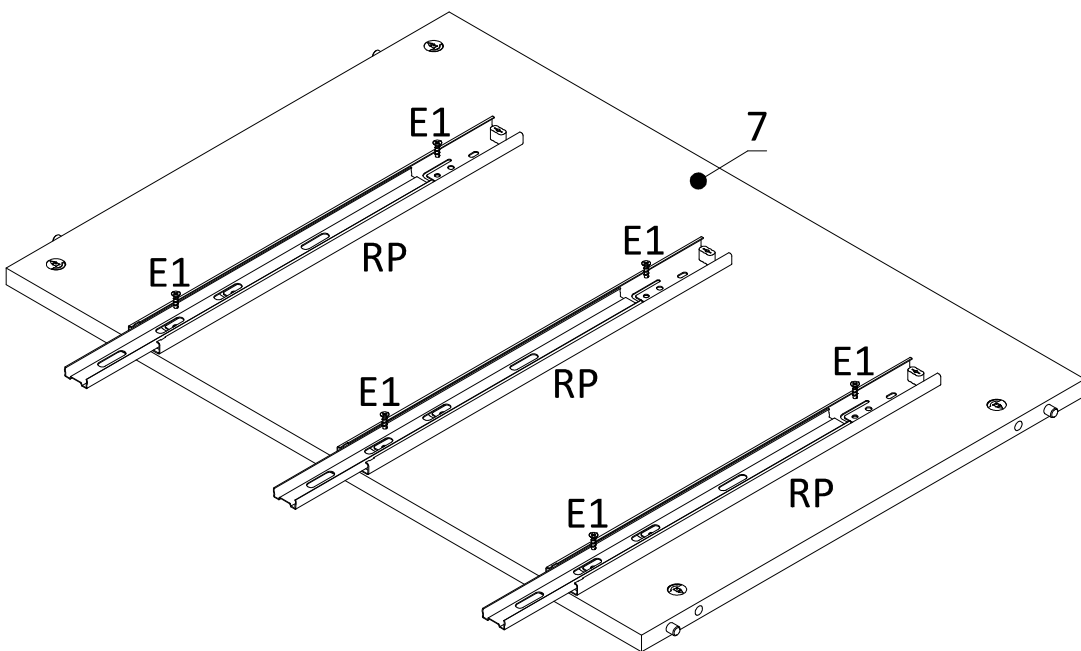
	
K	M
8x	8x



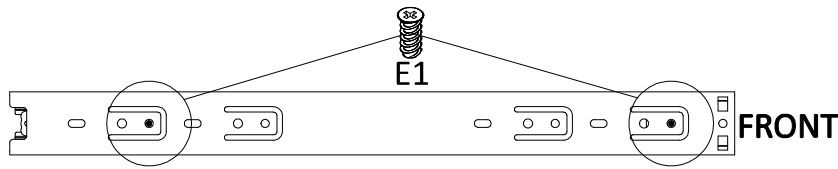
6



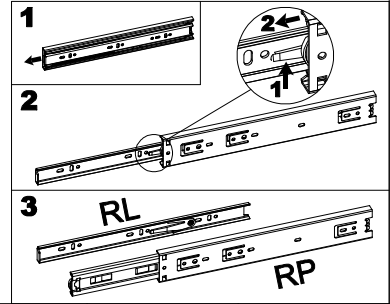
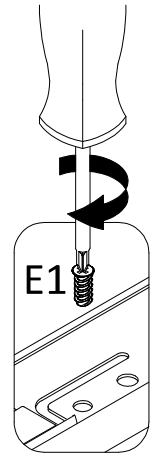
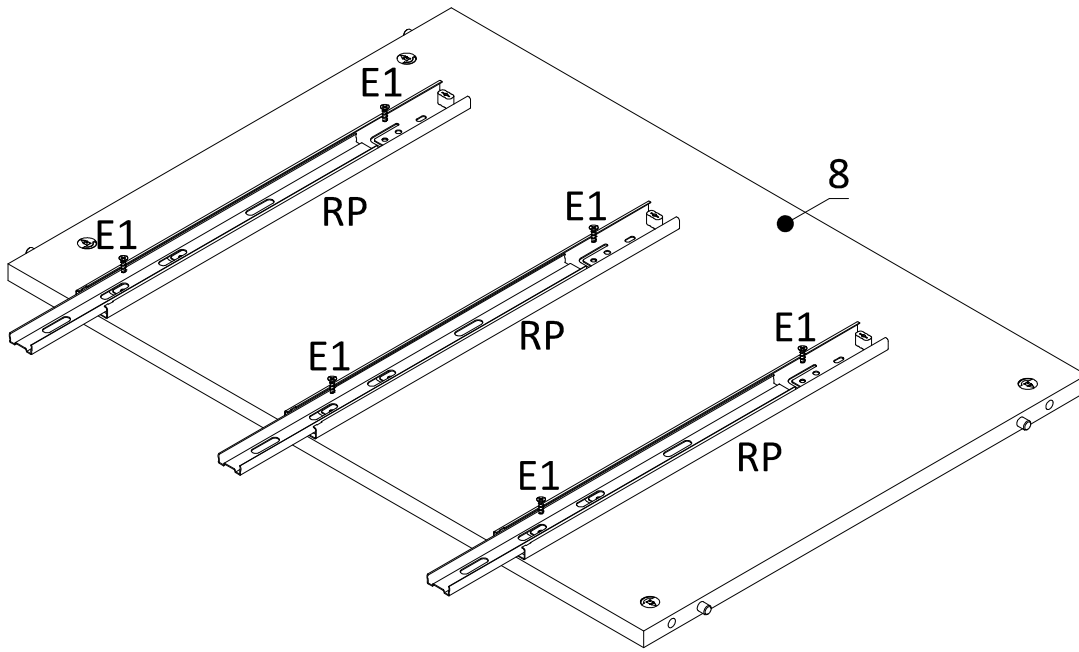

E1
6x



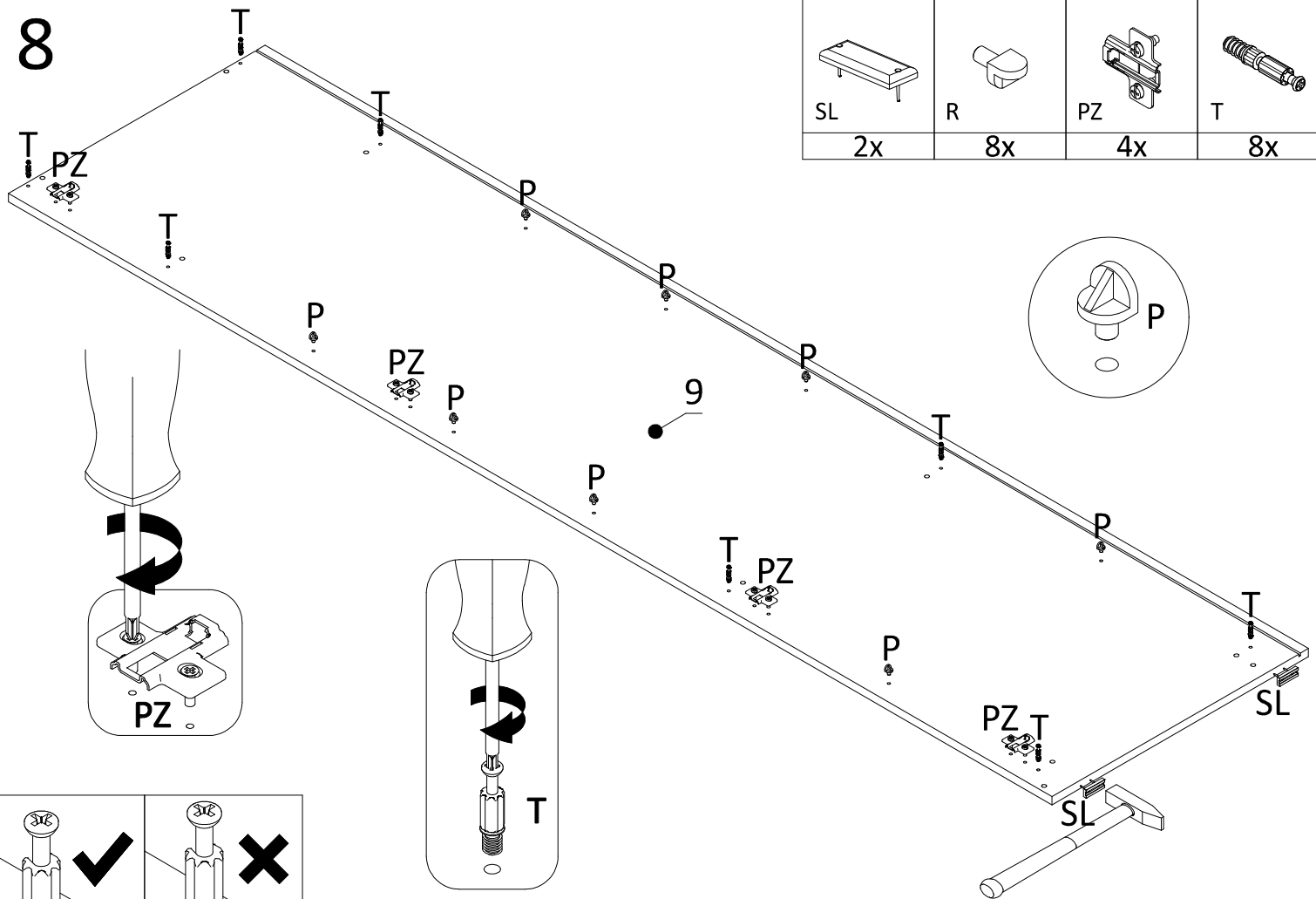
7



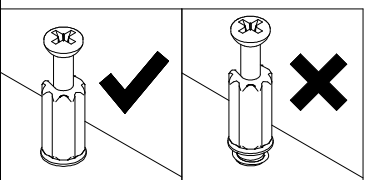
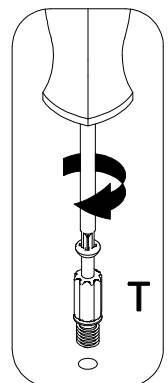
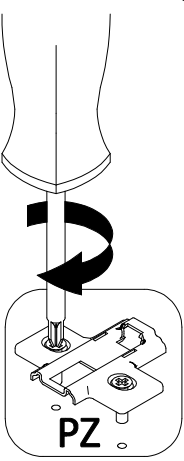
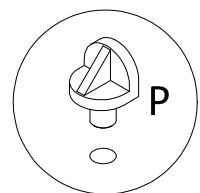
E1
6x



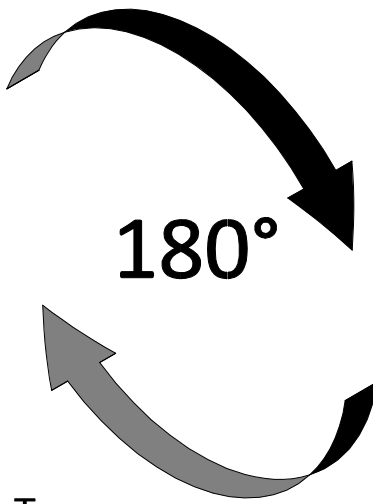
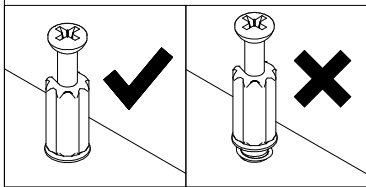
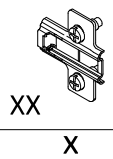
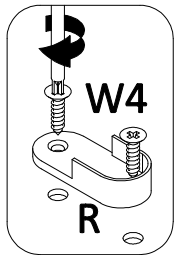
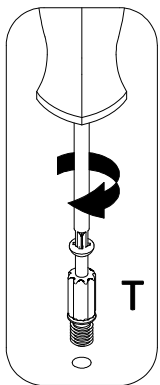
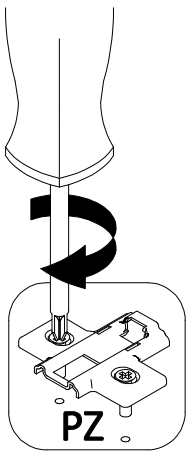
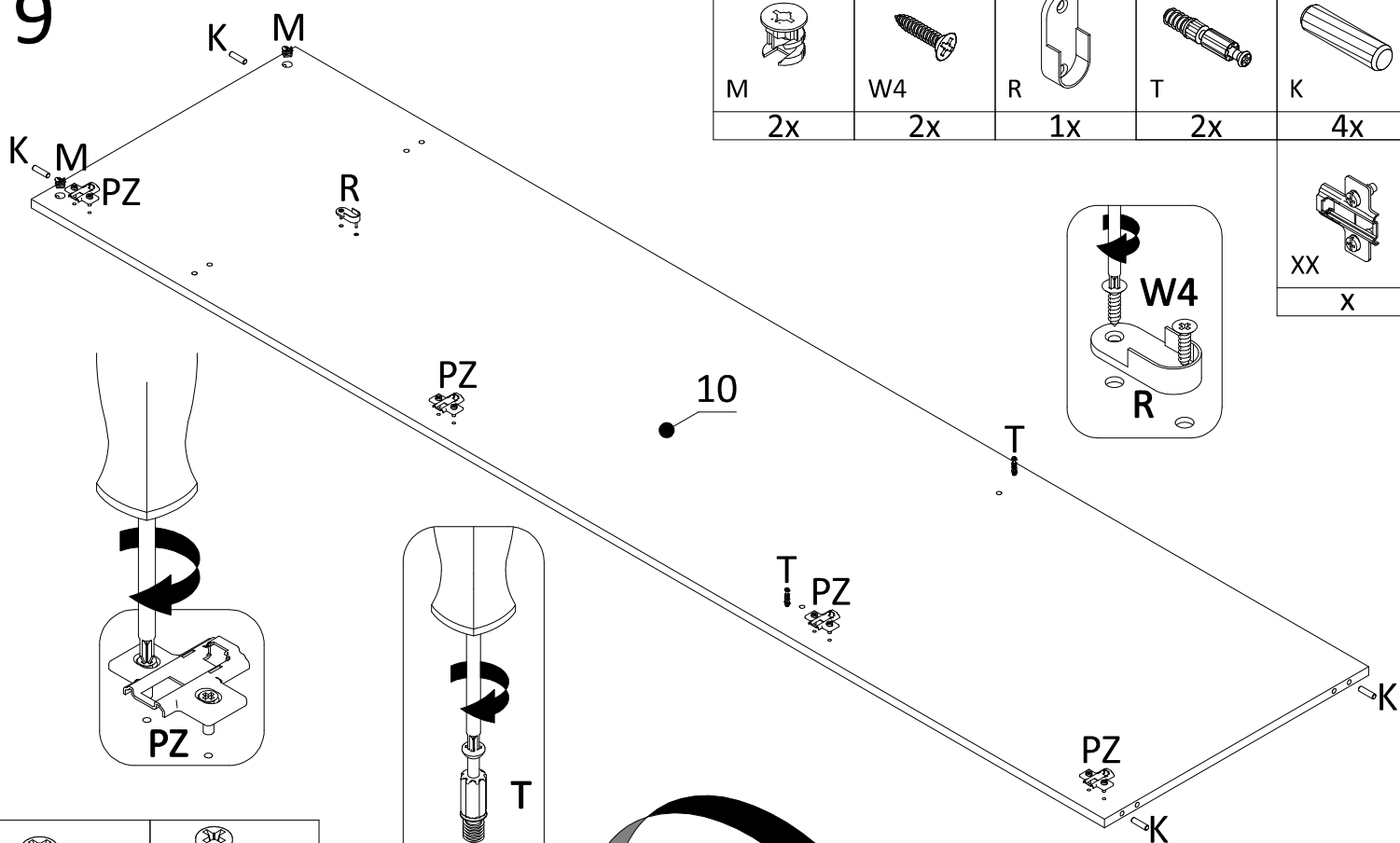
8



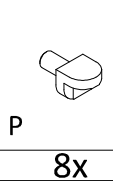
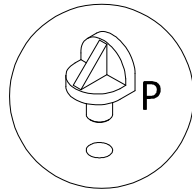
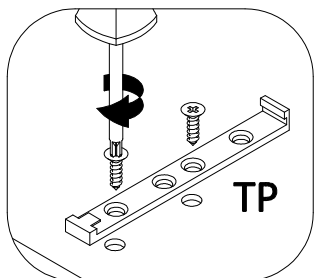
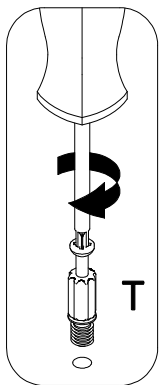
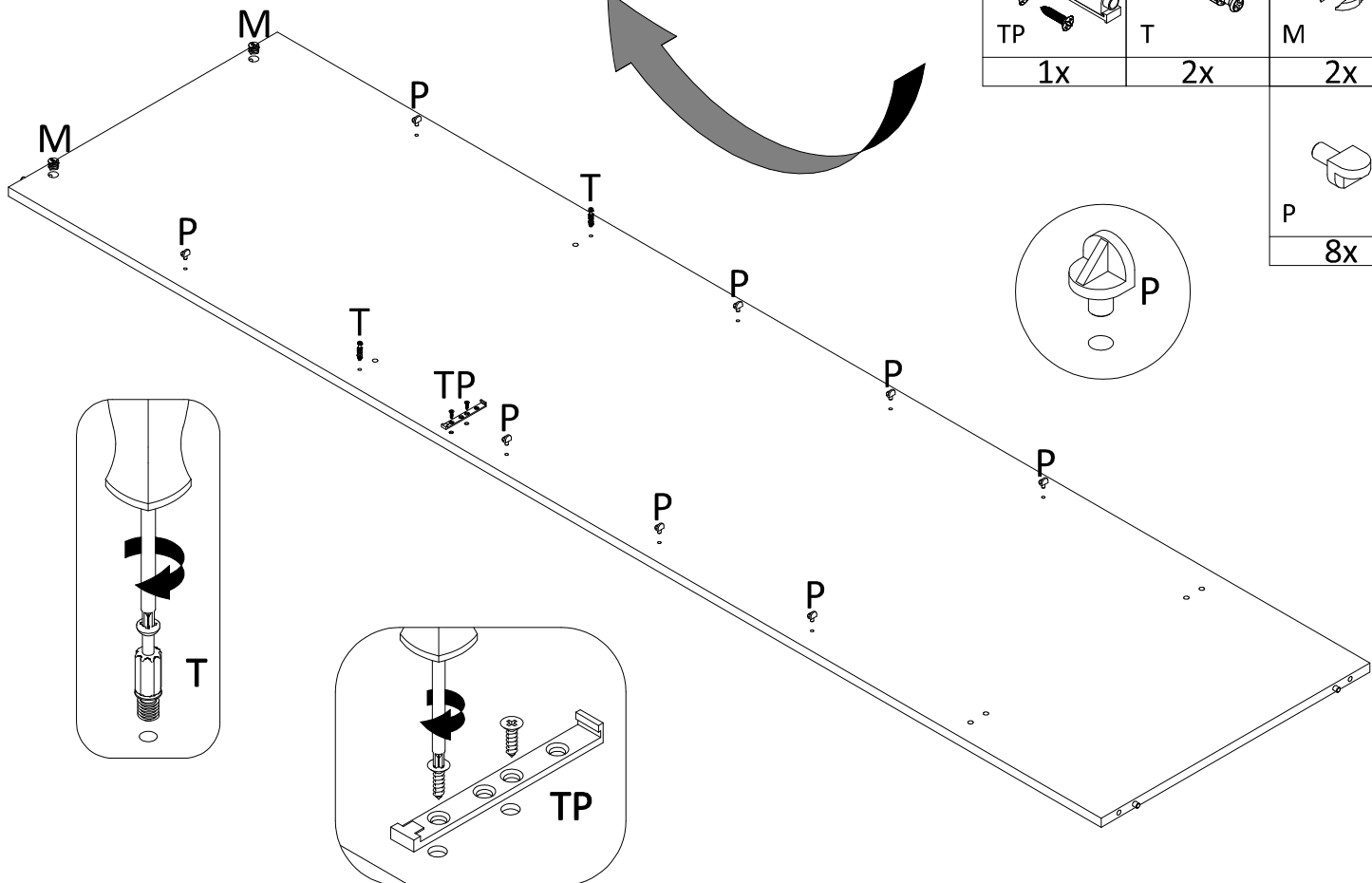
SL	R	PZ	T
2x	8x	4x	8x



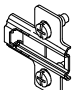

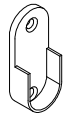
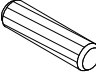
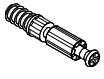

9

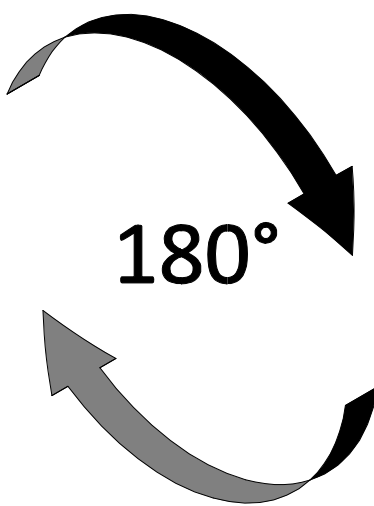
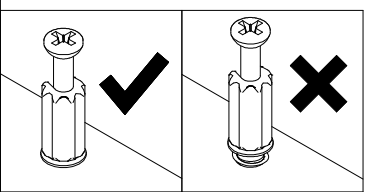
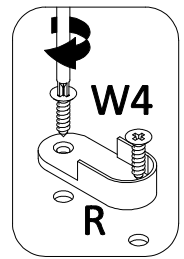
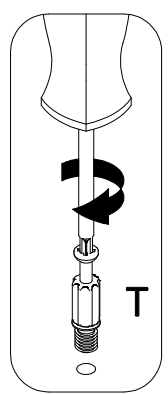
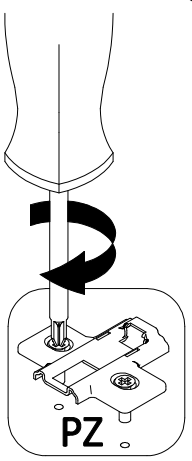
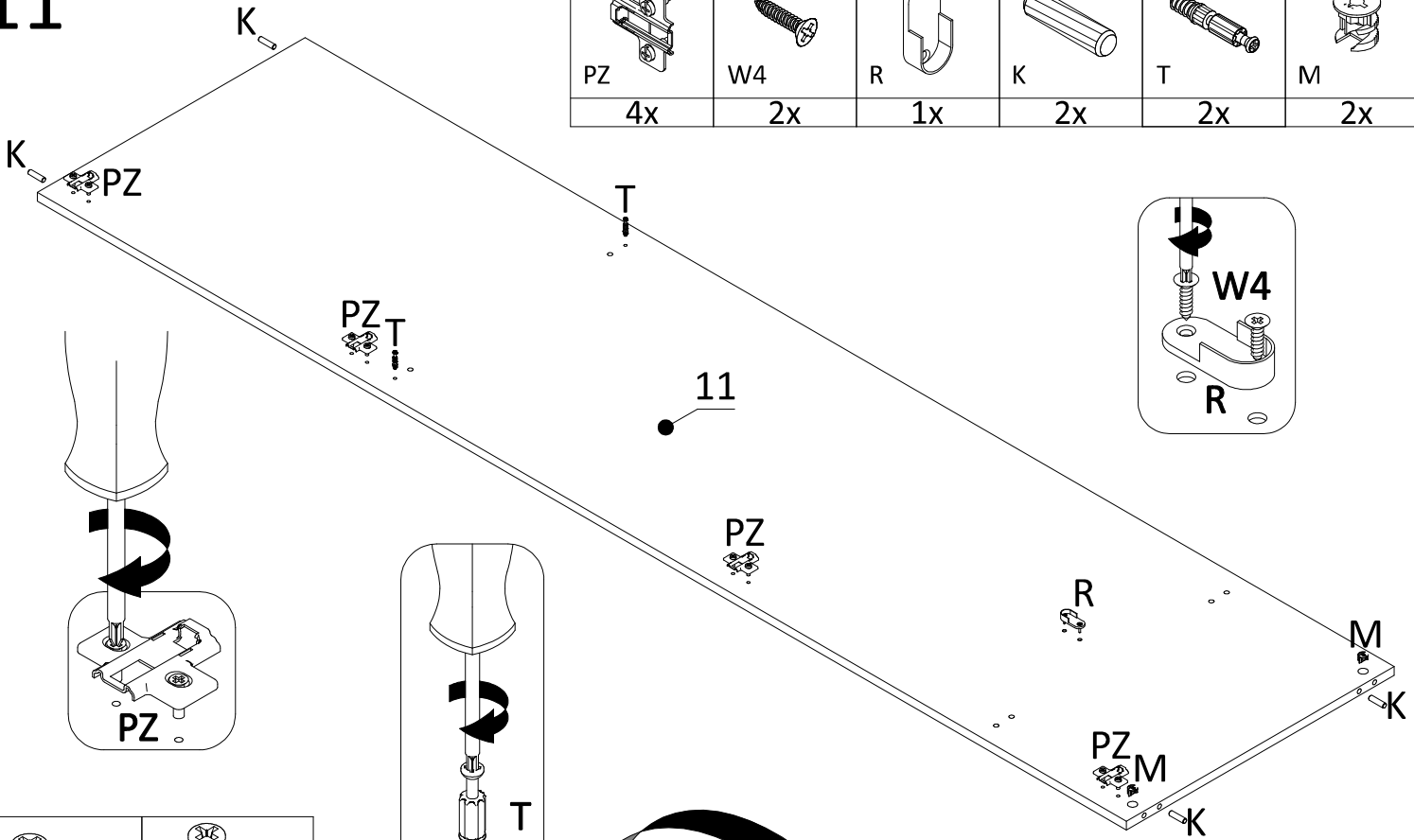


10

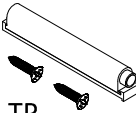
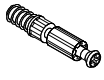




11

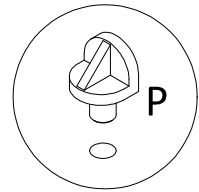
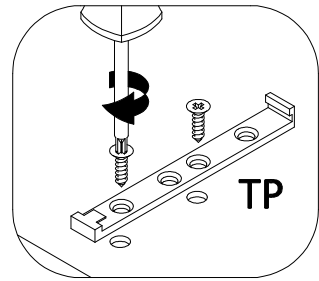
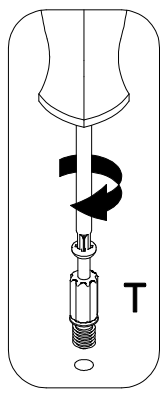
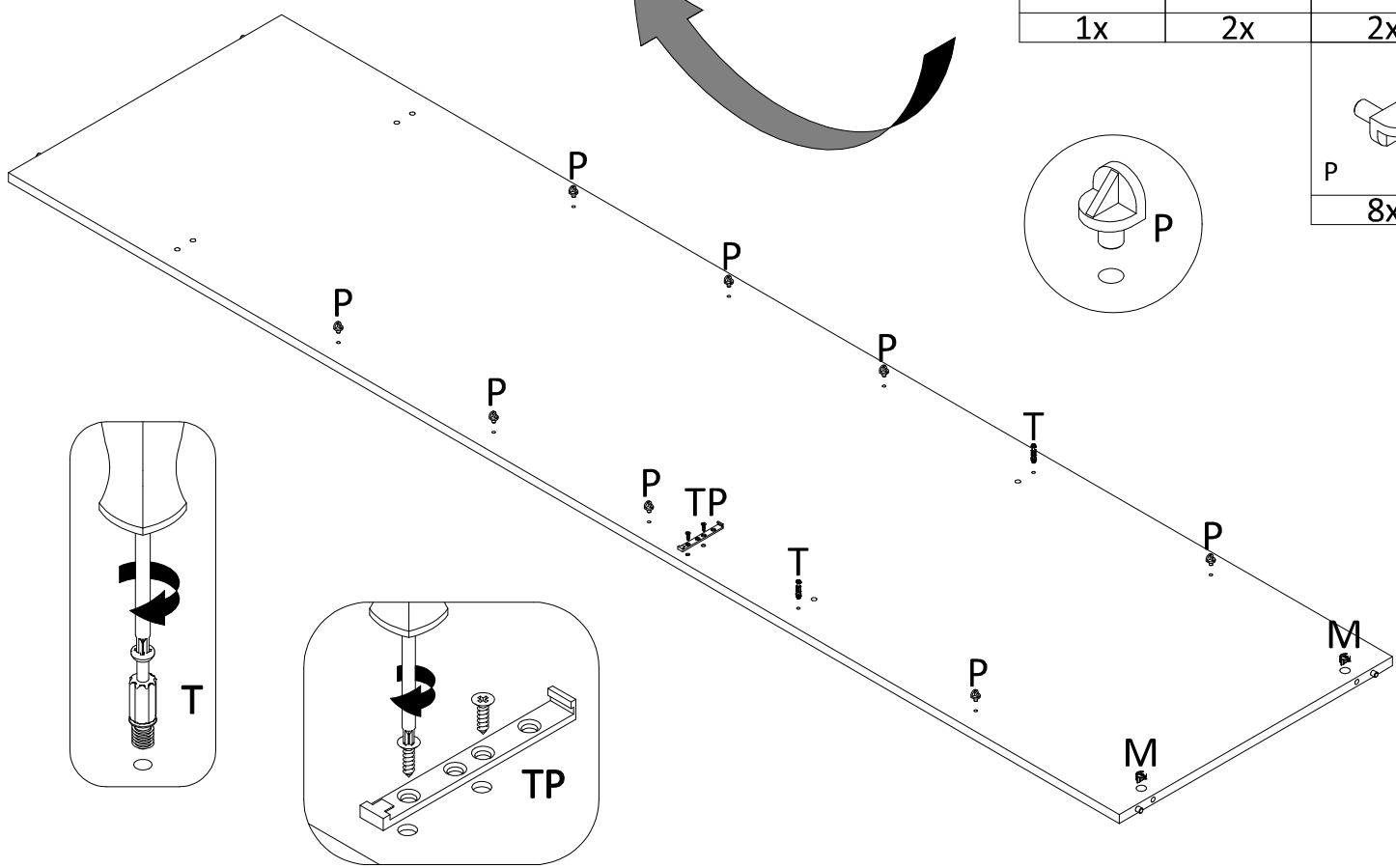
					
PZ	W4	R	K	T	M
4x	2x	1x	2x	2x	2x



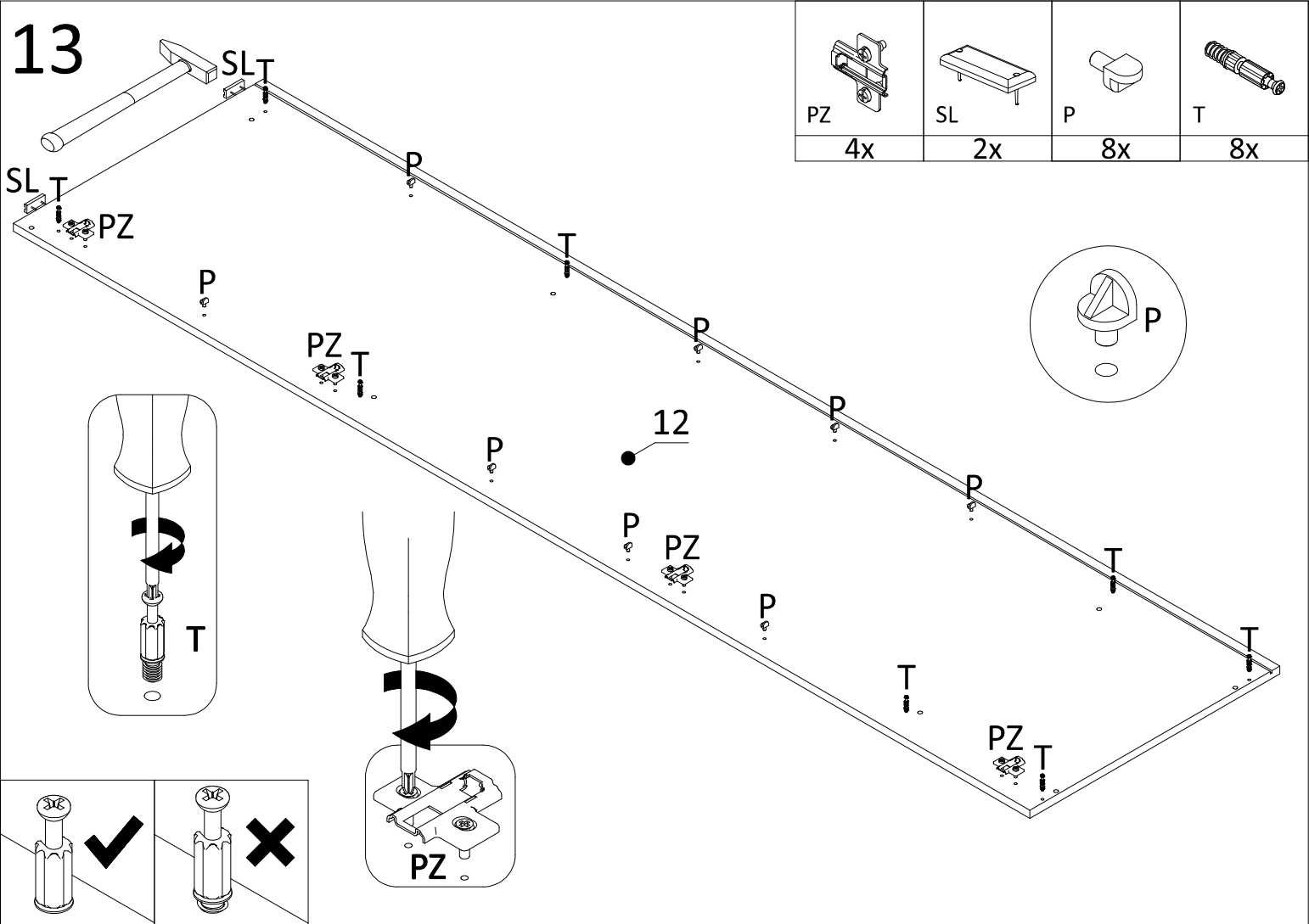
12

		
TP	T	M
1x	2x	2x

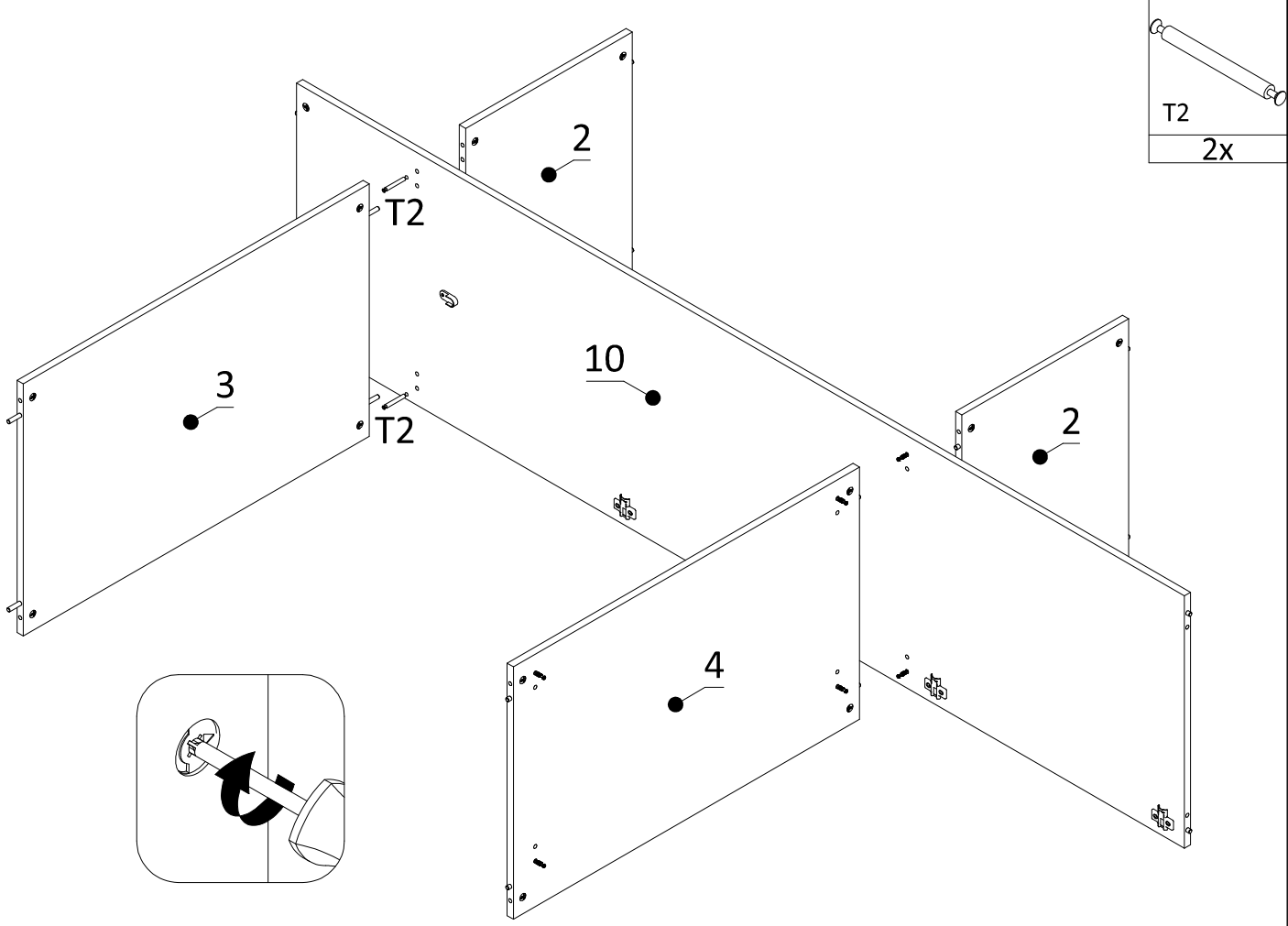

P
8x



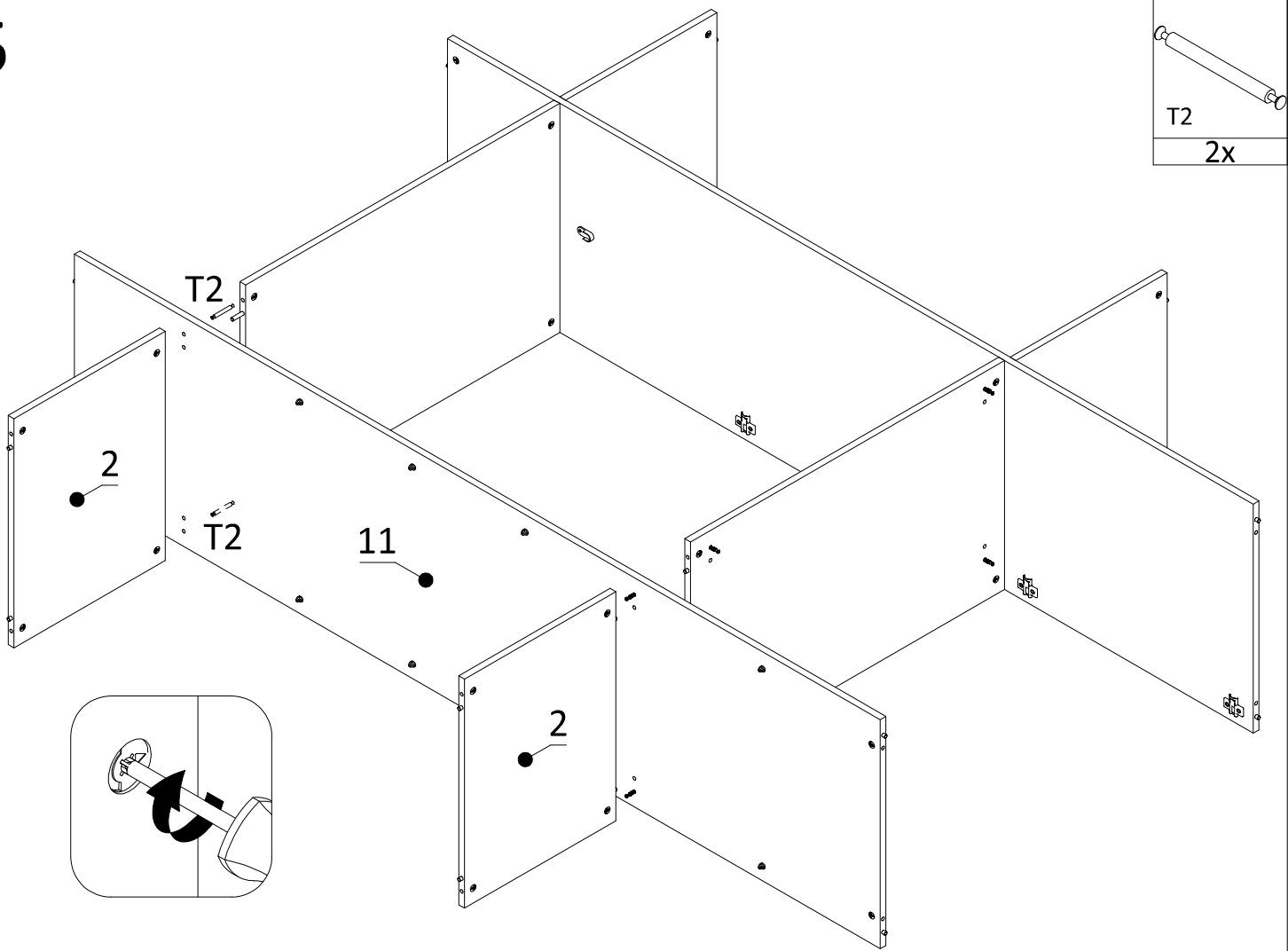
13



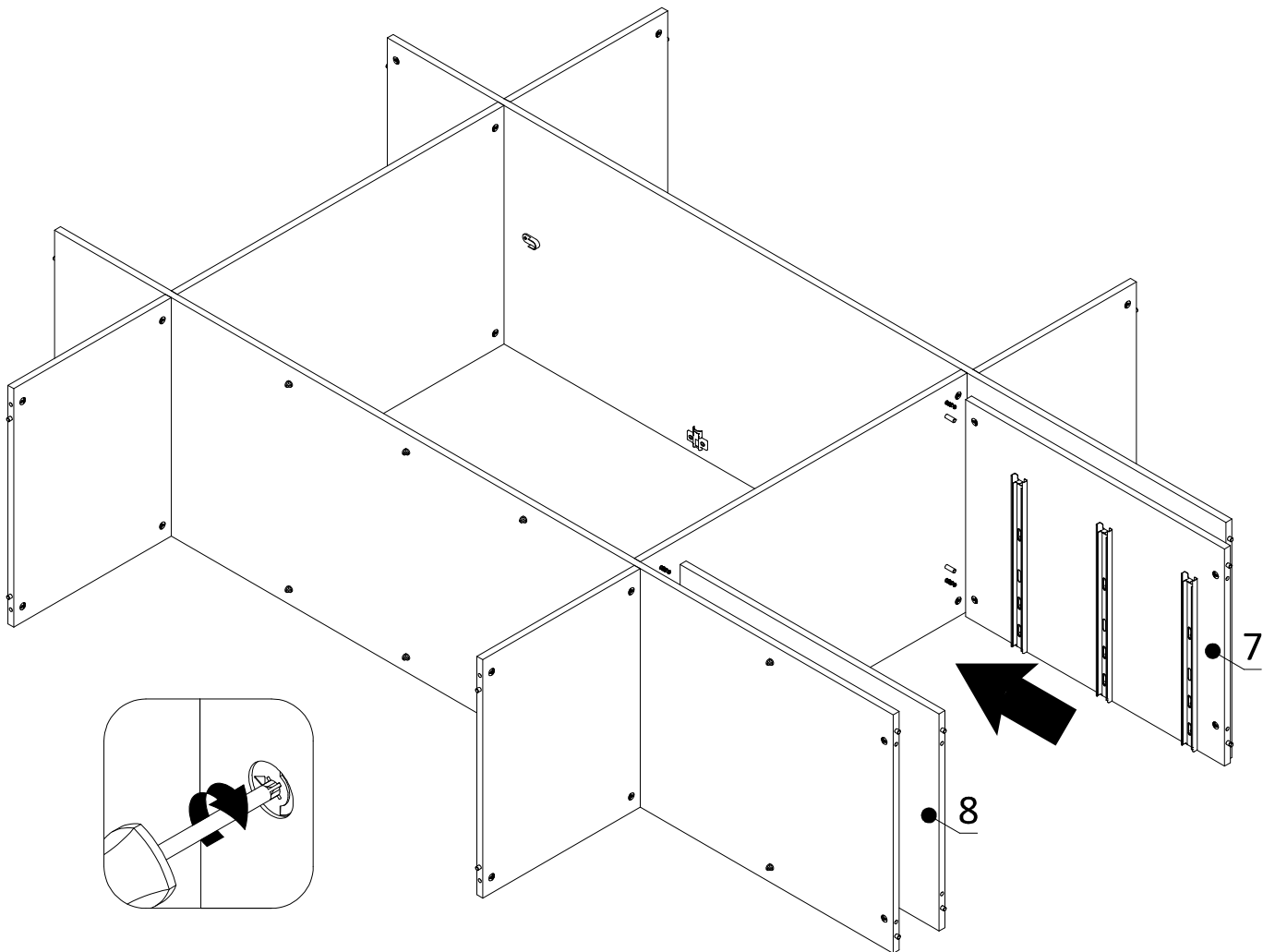
14



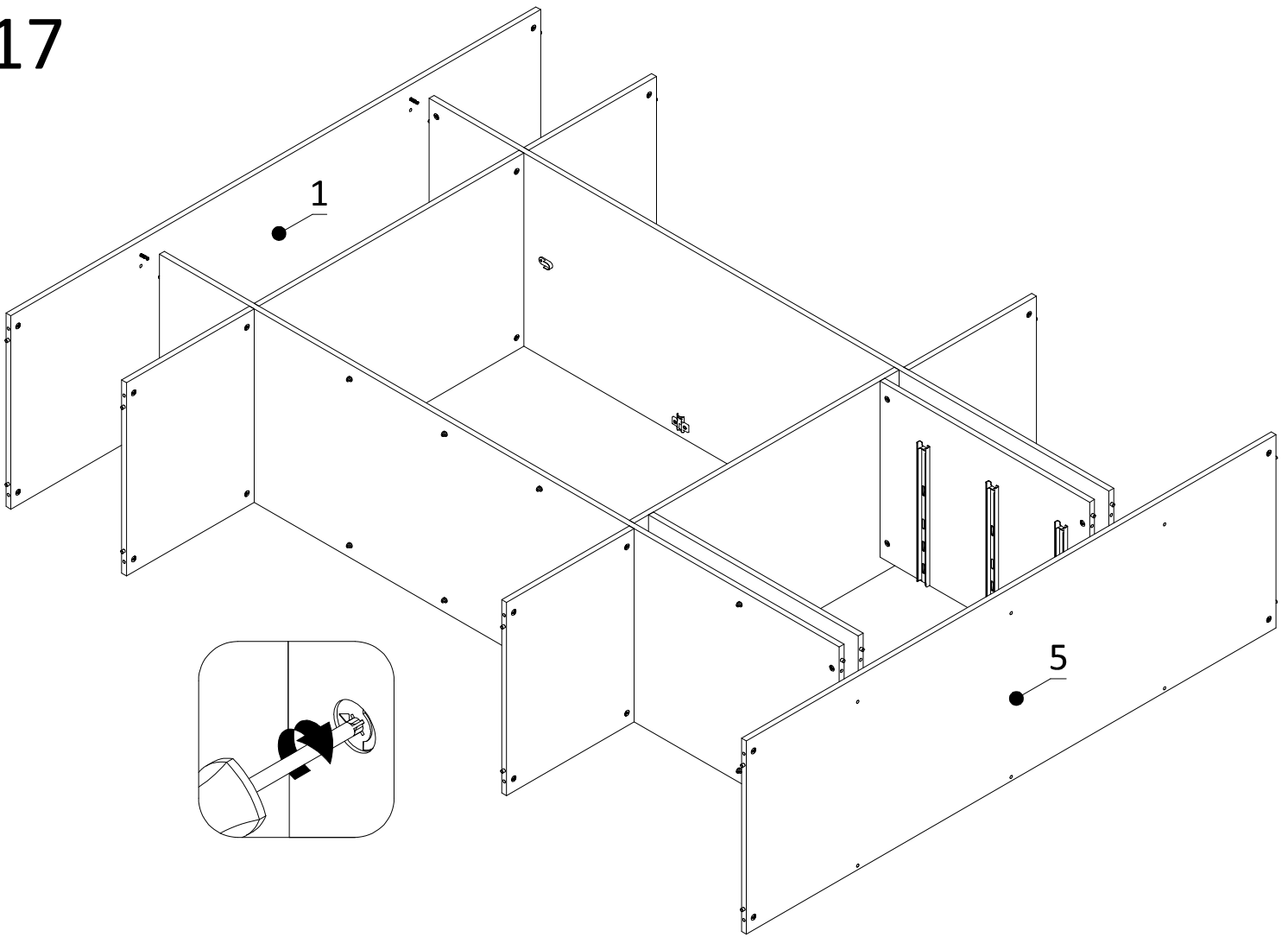
15



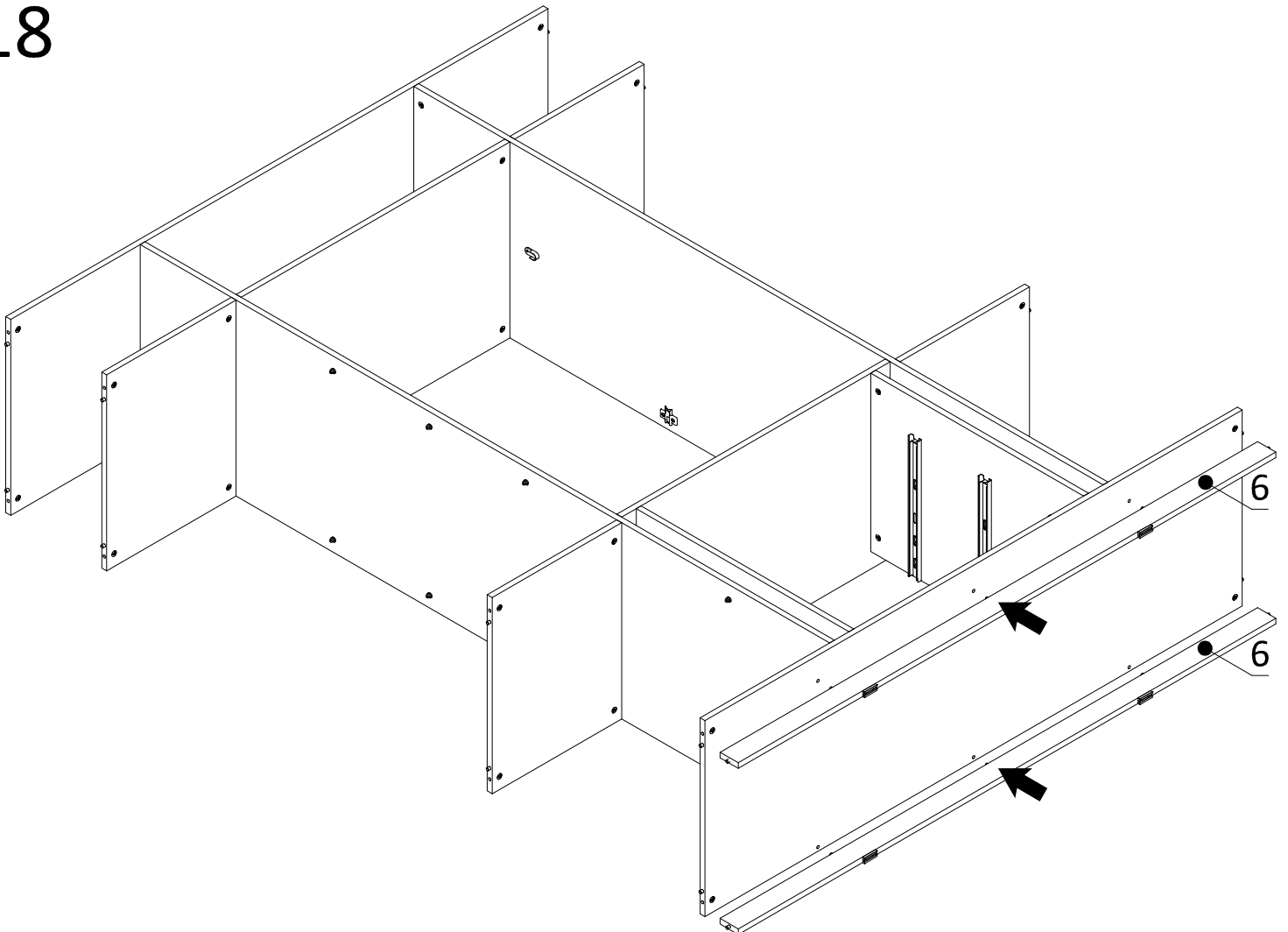
16



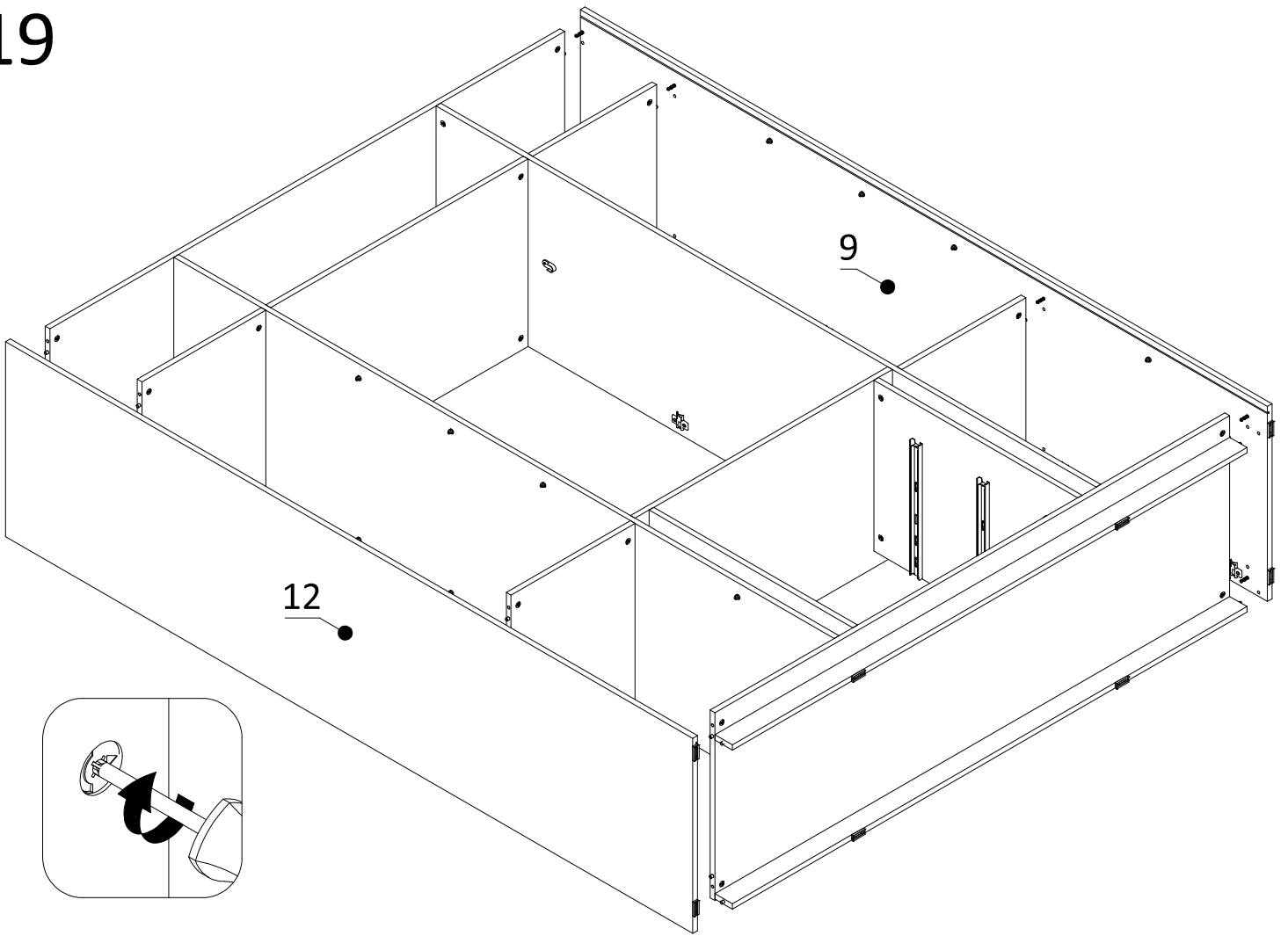
17



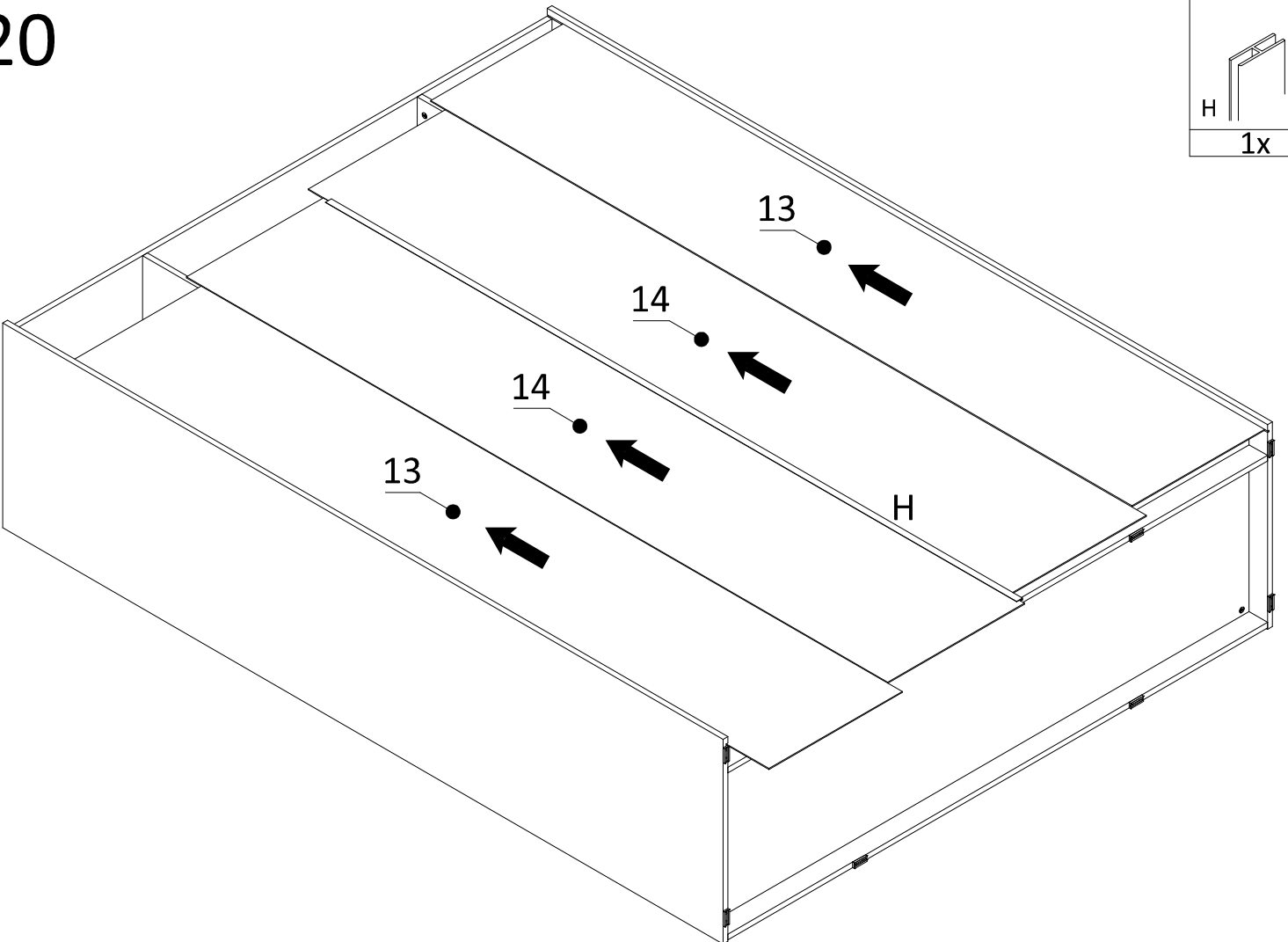
18



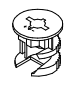
19

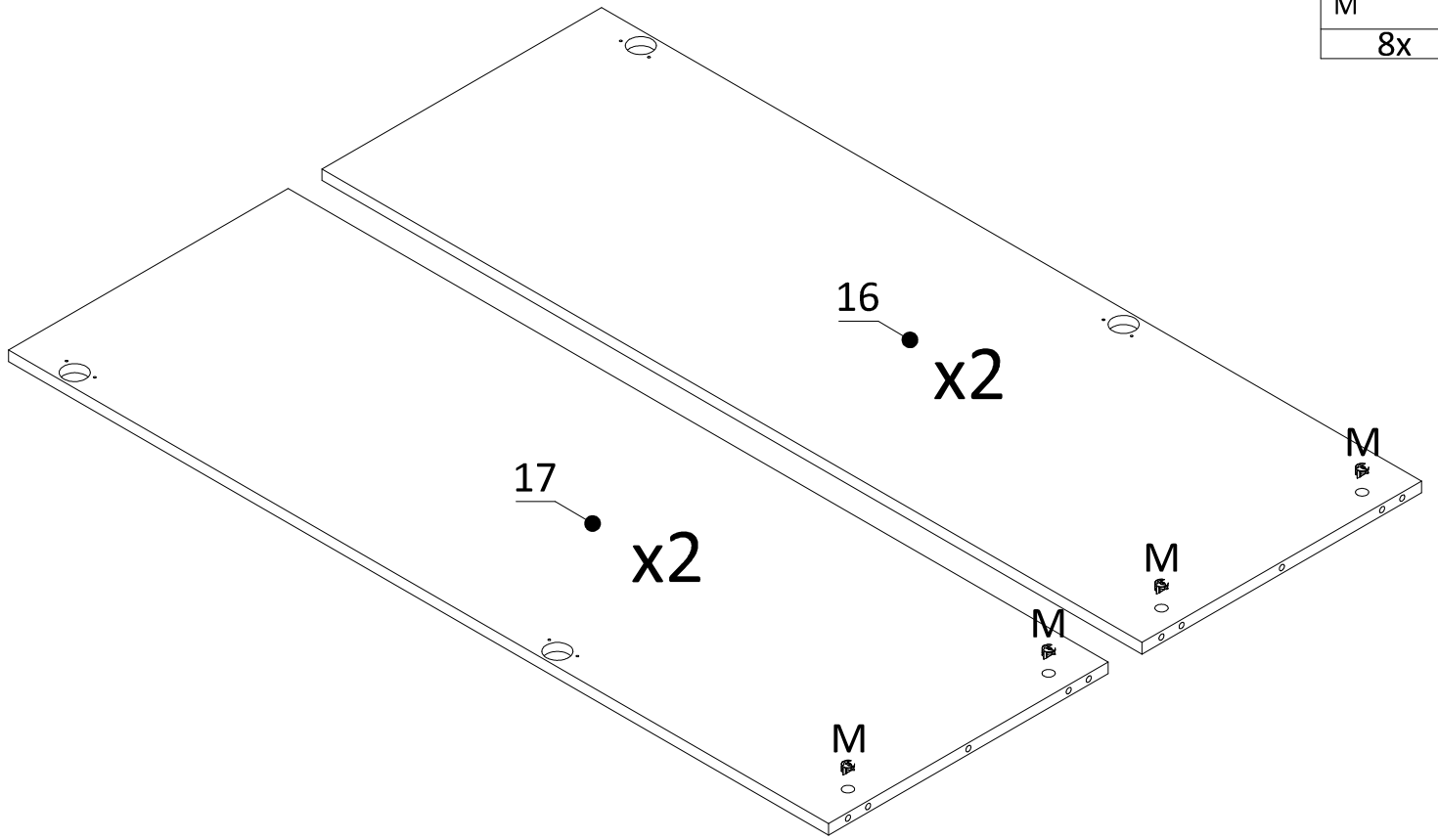


20

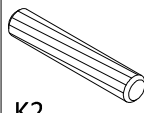



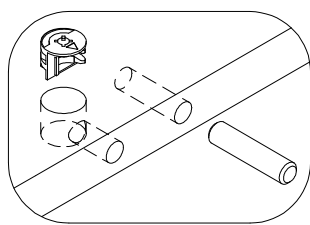
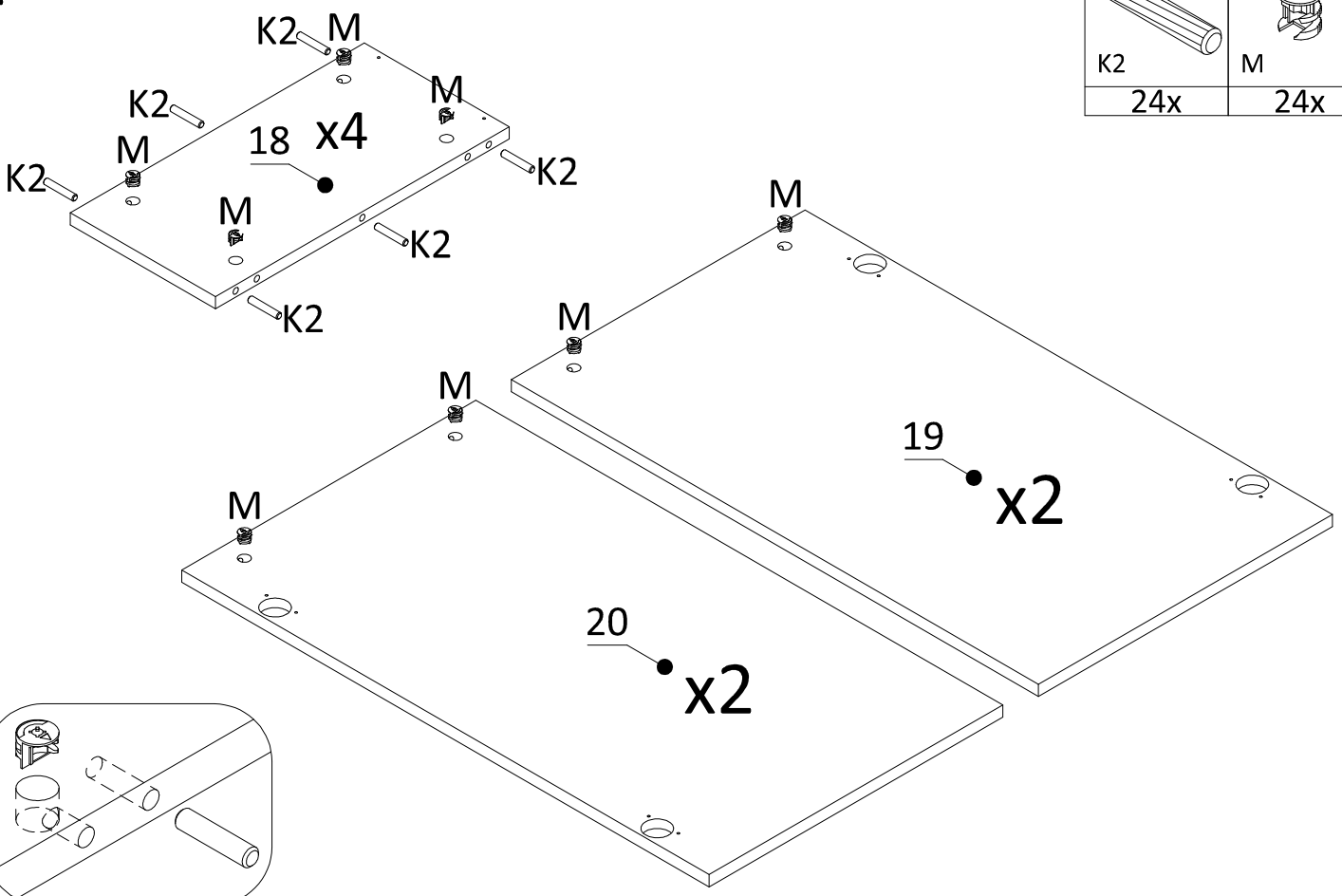
23


M
8x

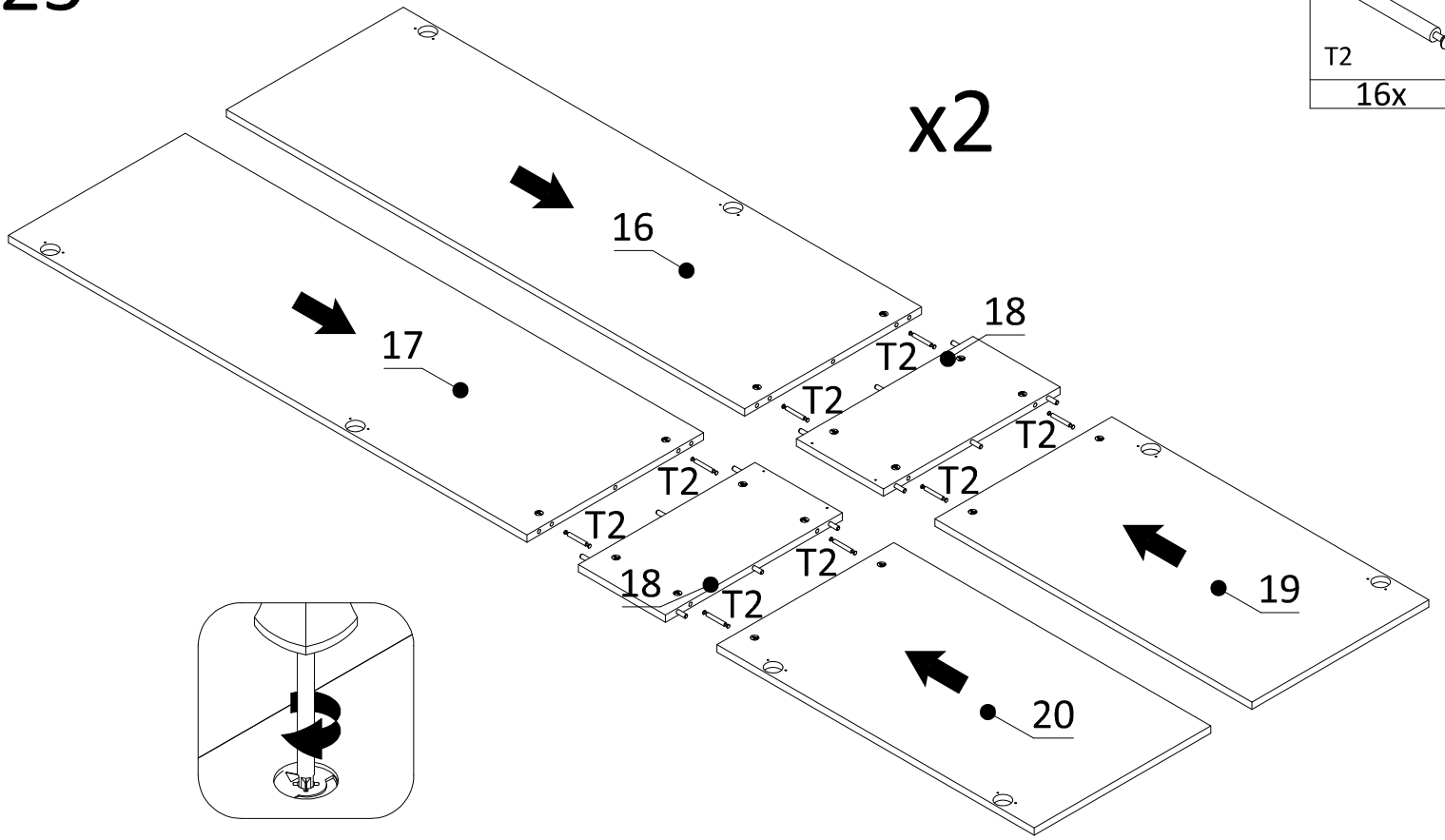


24

	
K2	M
24x	24x

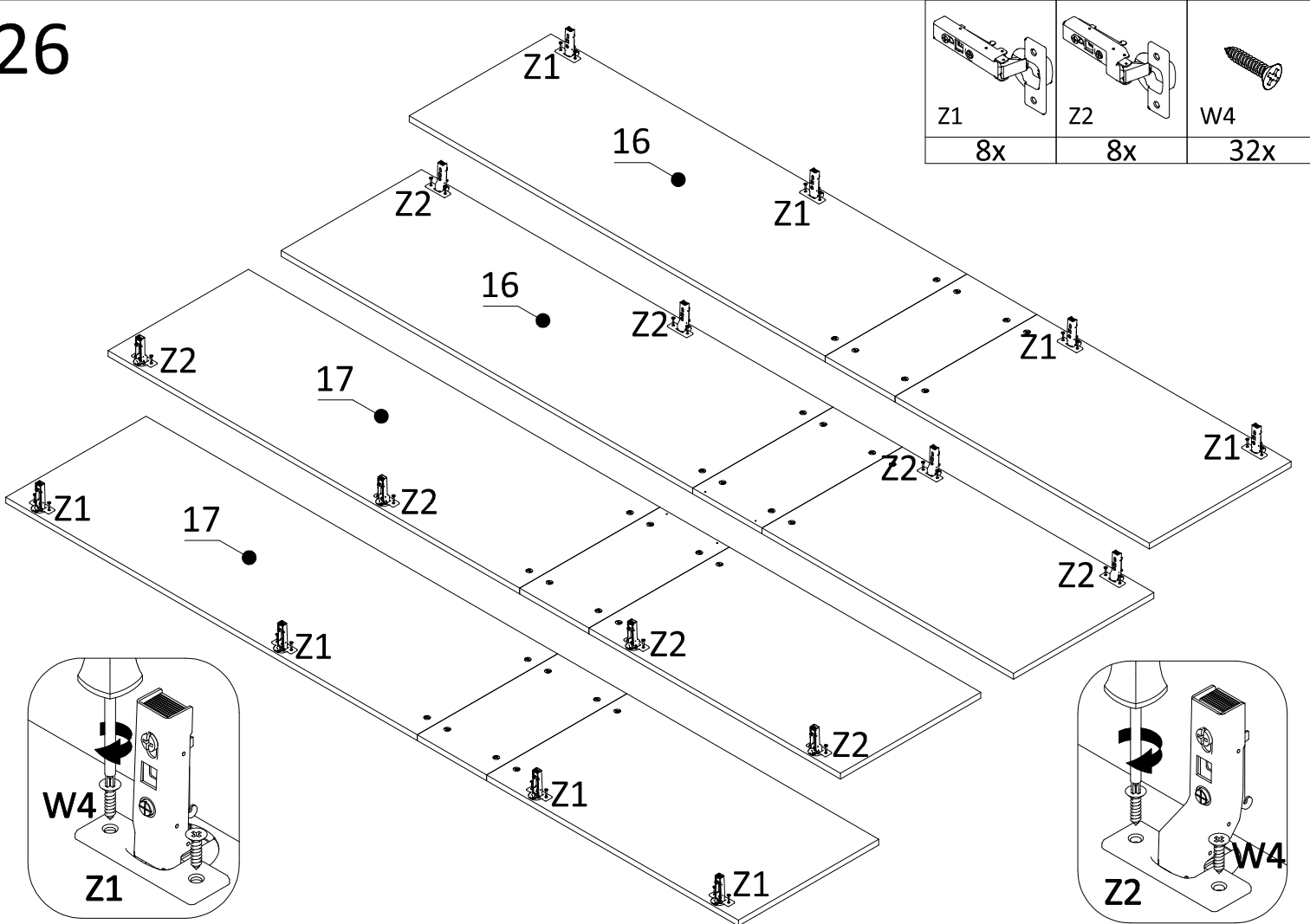


25

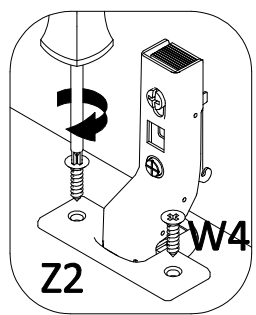
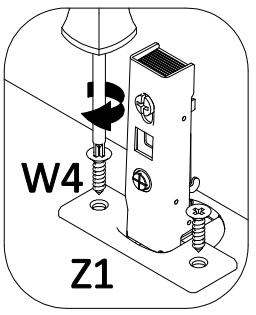


T2
16x

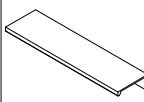

26

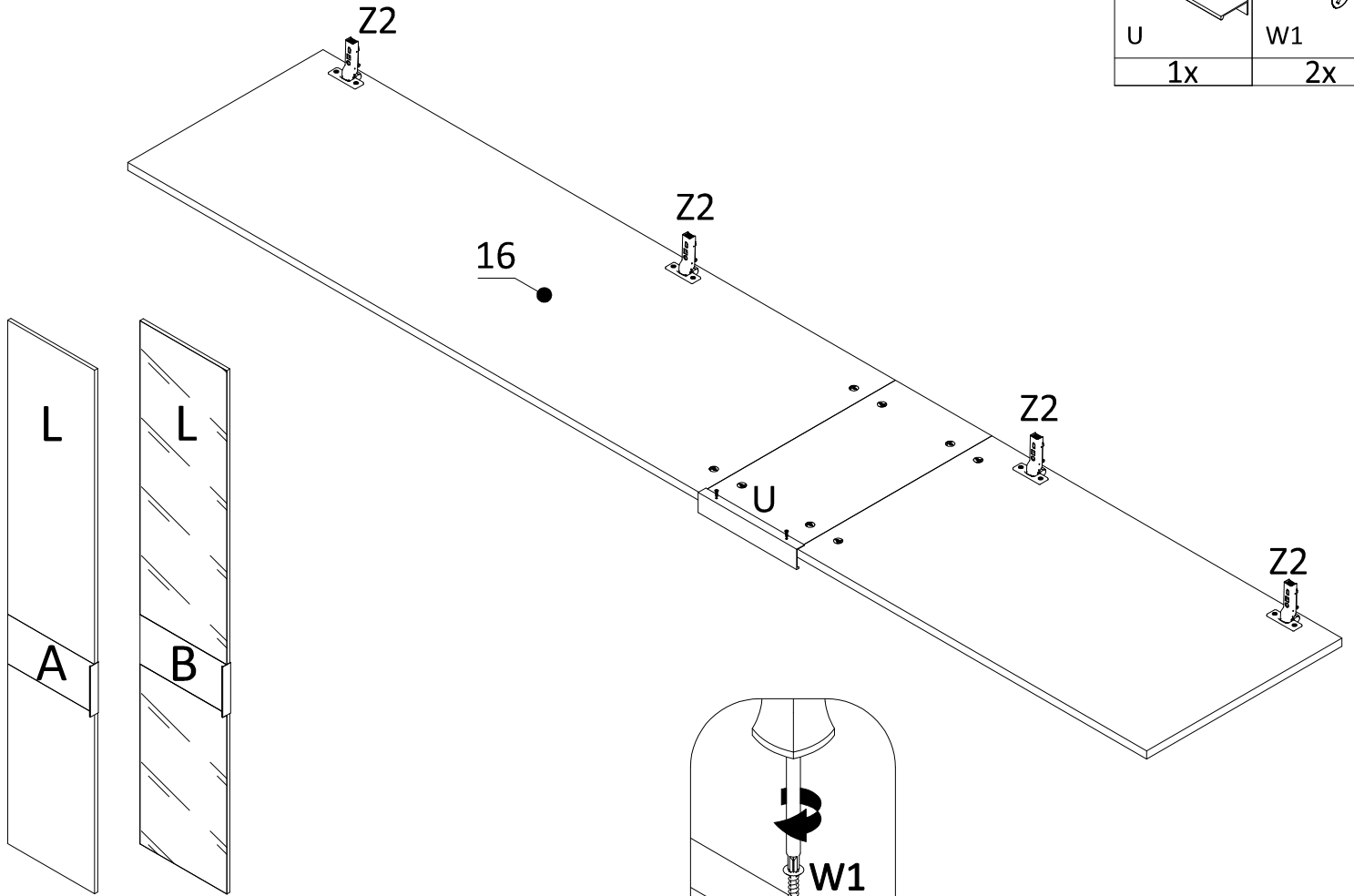


Z1	Z2	W4
8x	8x	32x

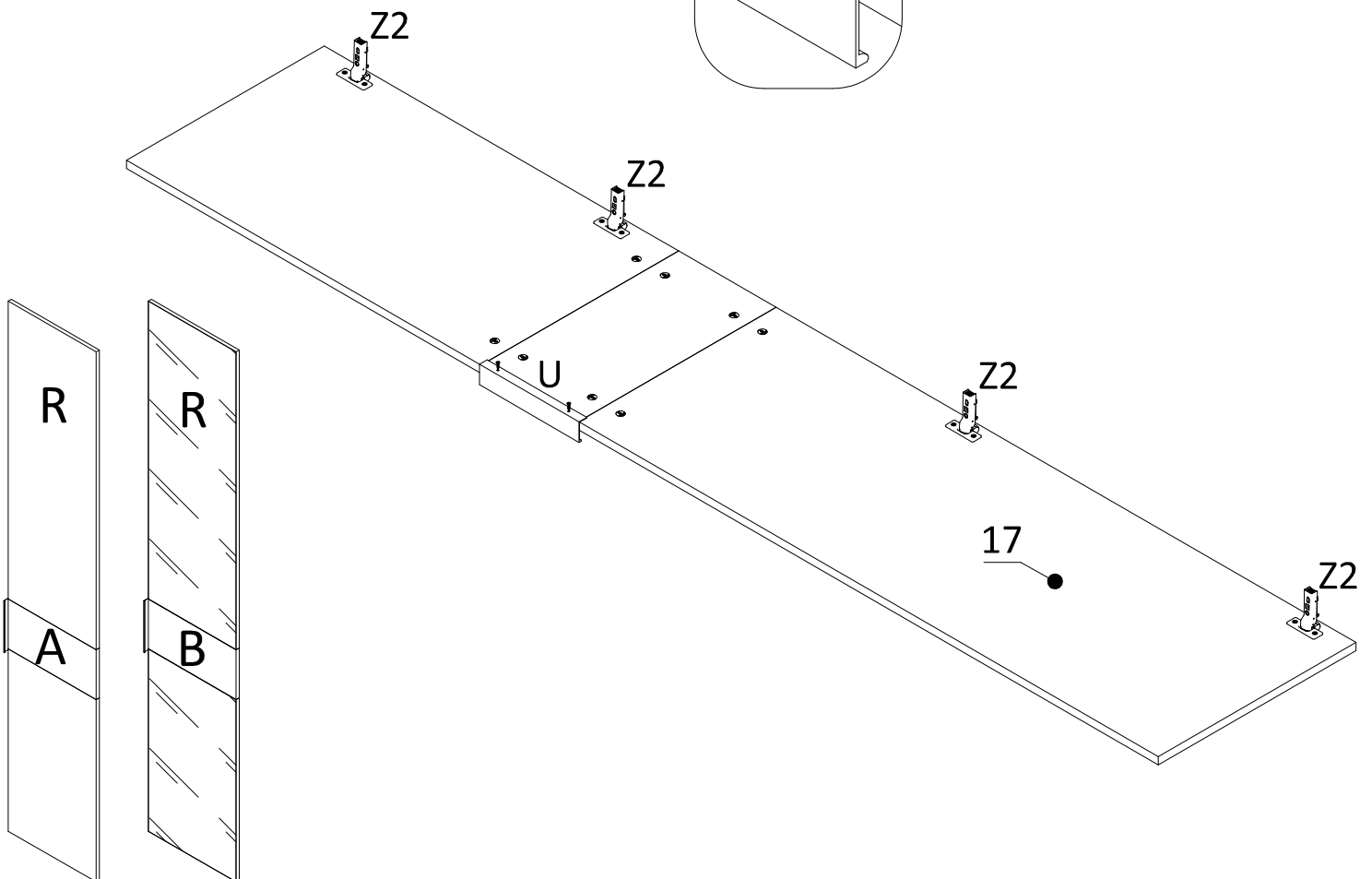


27 Option L-A, L-B

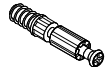
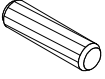
 U	 W1
1x	2x

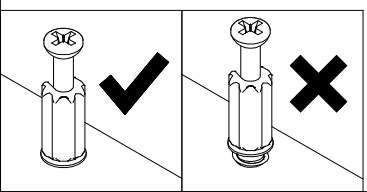
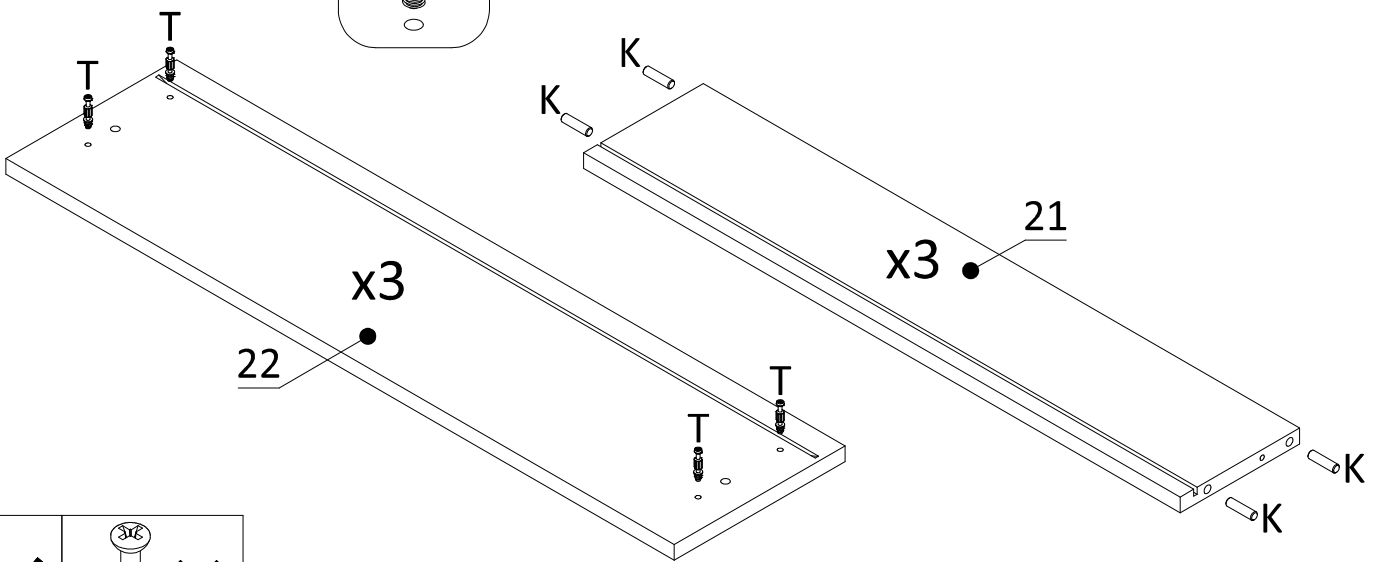
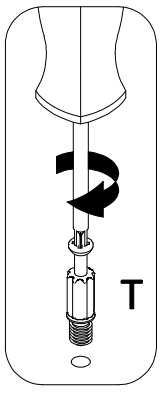


Option R-A, R-B



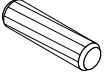


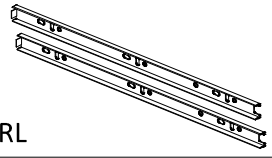
28

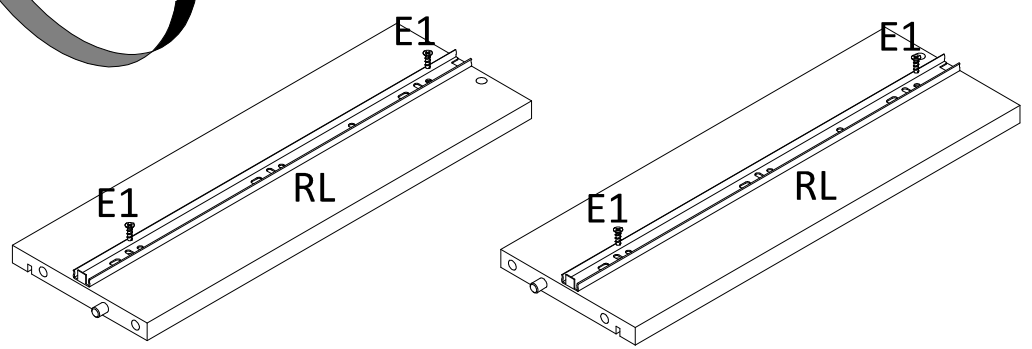
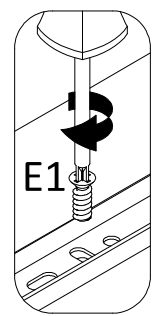
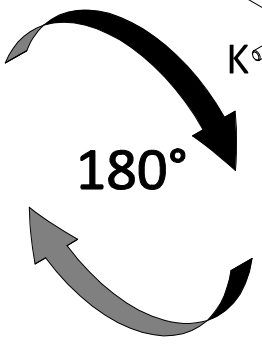
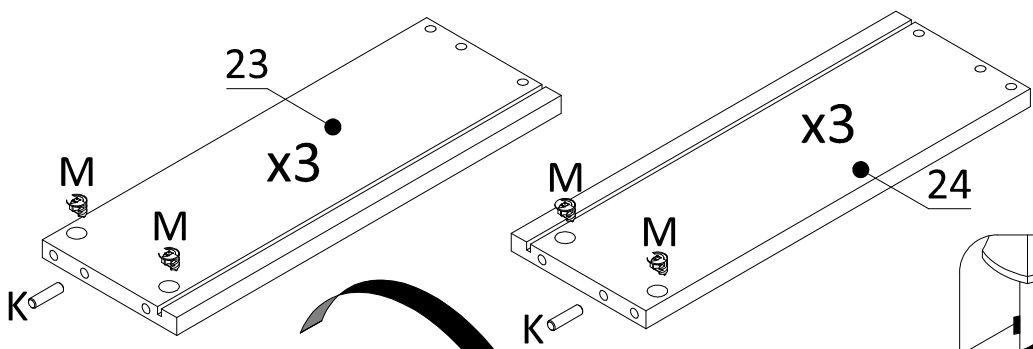
	
T	K
12x	12x



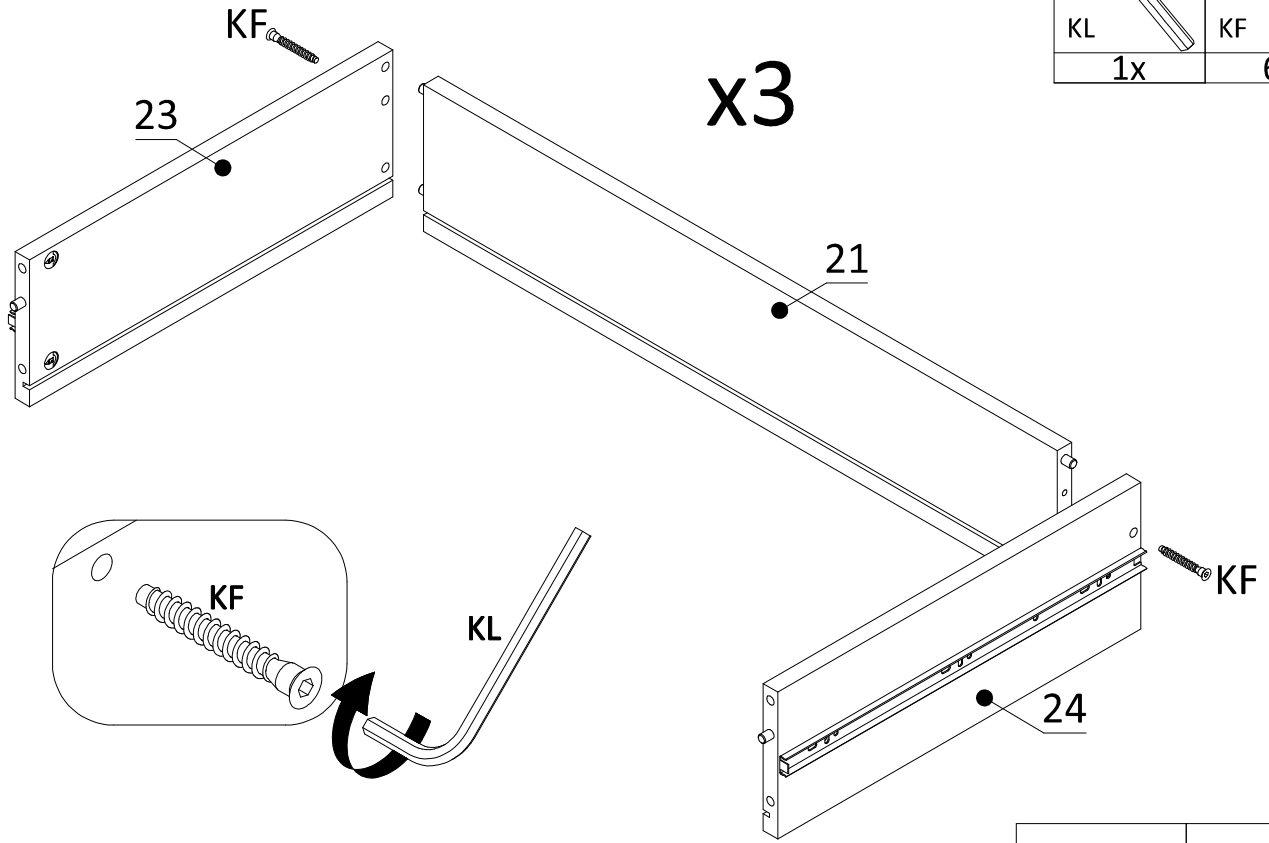
29

		
E1	M	K
12x	12x	6x

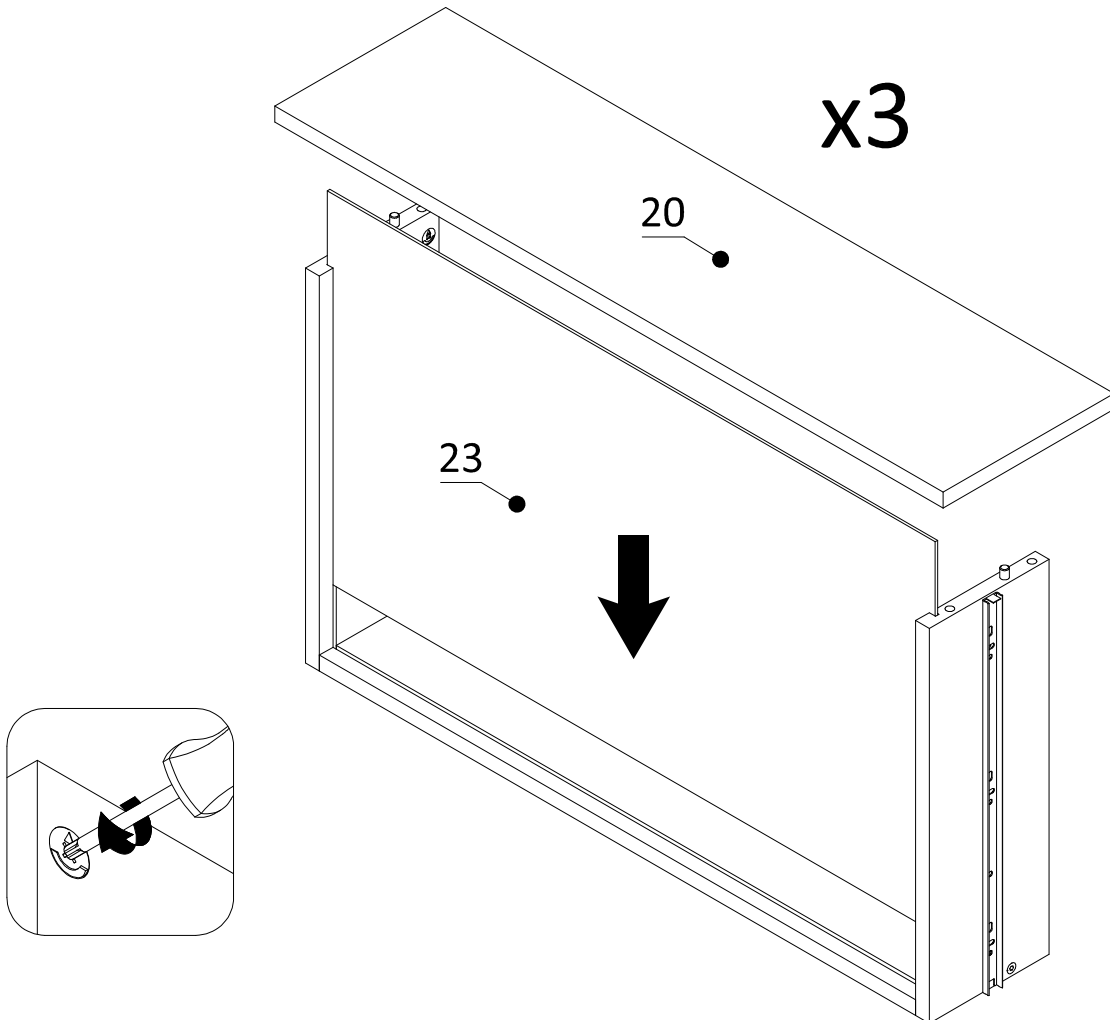

RL
3x



30

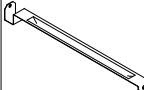



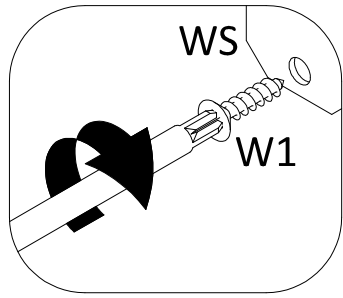
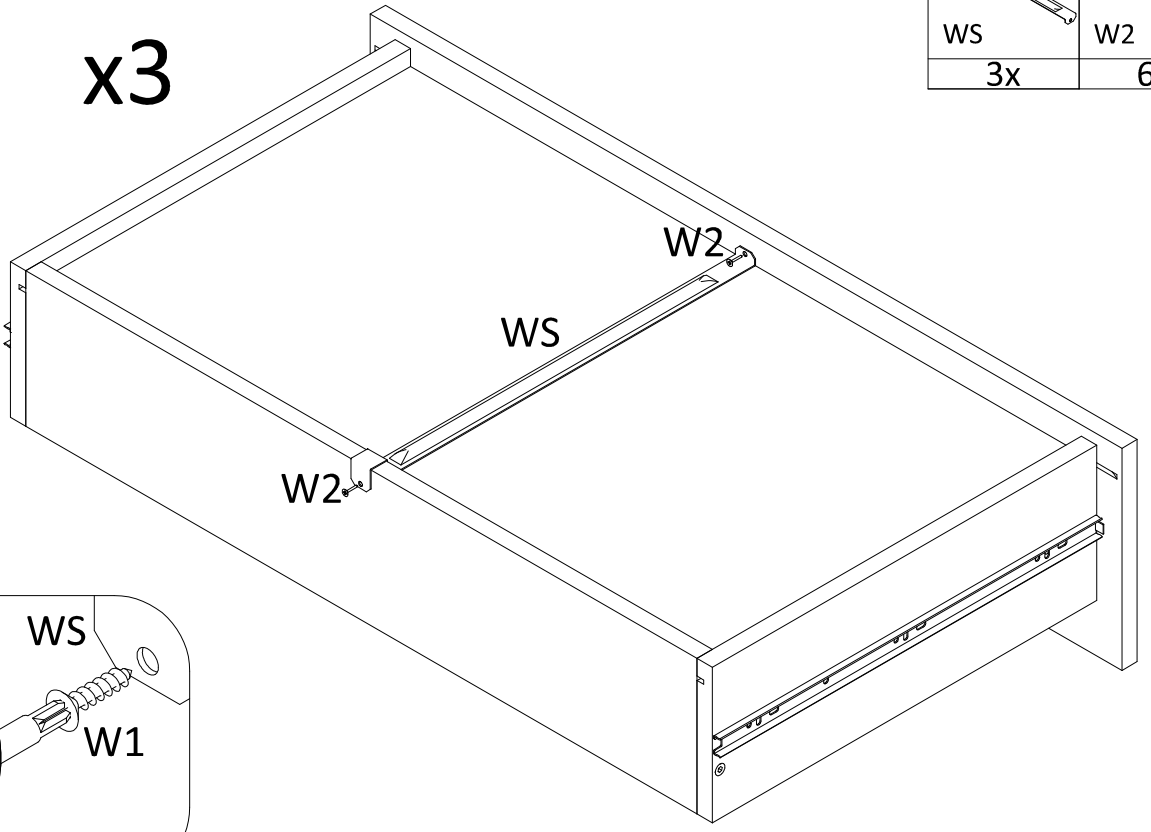
31







32

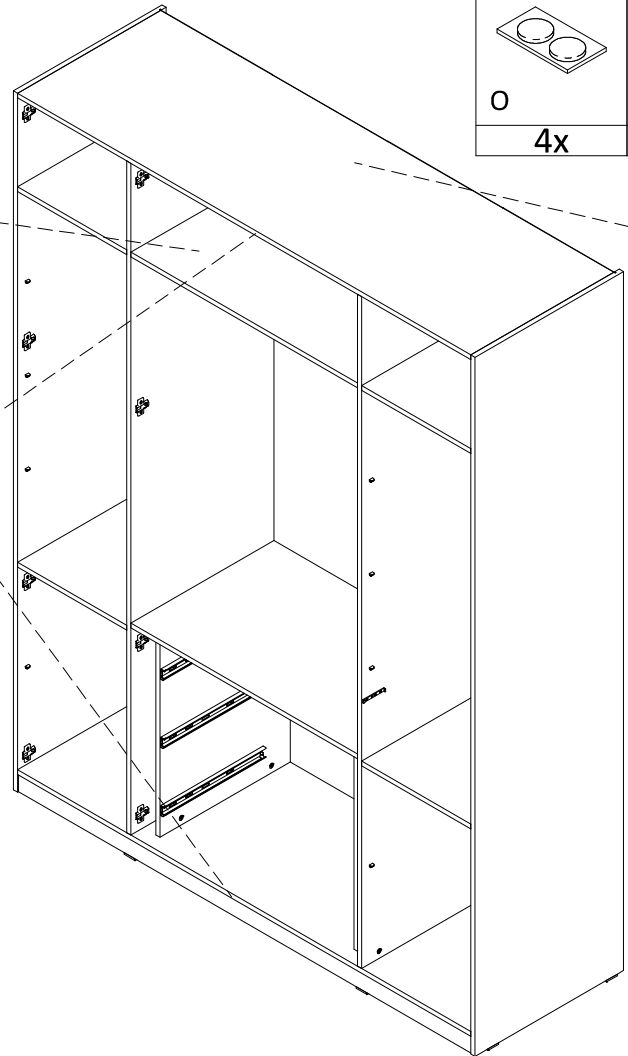
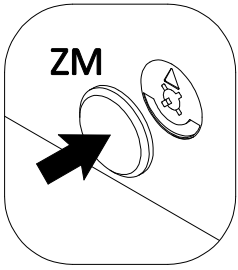
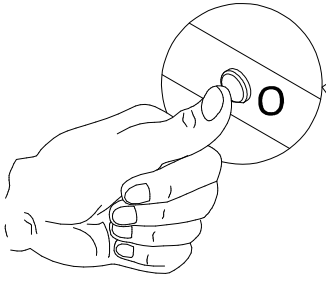
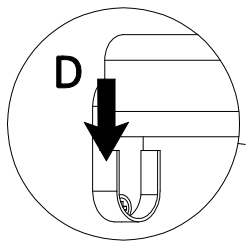
x3

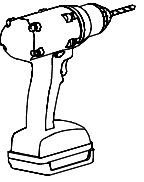
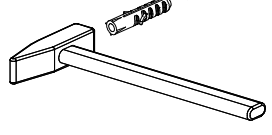
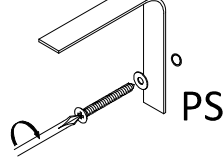
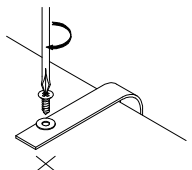
	
WS	W2
3x	6x



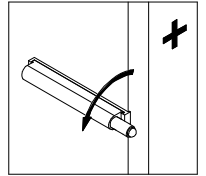
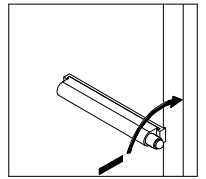
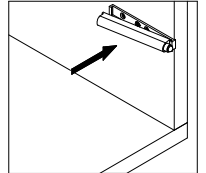
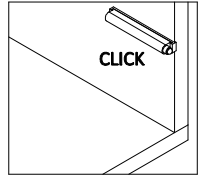
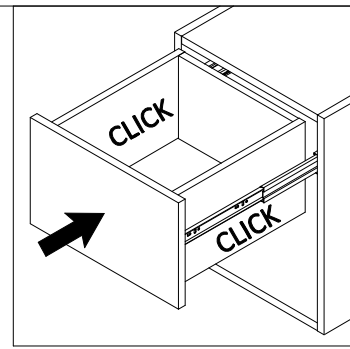
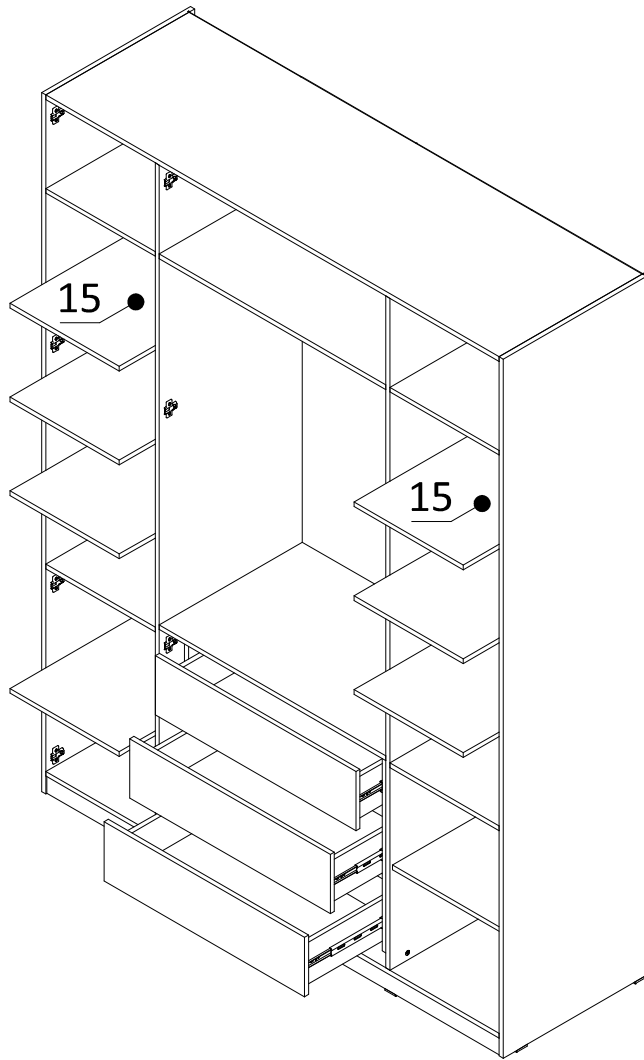
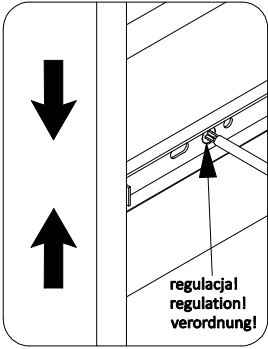
33

			
O	ZM	D	PS
4x	60x	1x	1x



- 1 
- 2 
- 3 
- 4 

34



35

