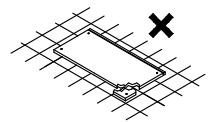
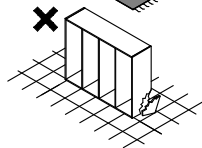
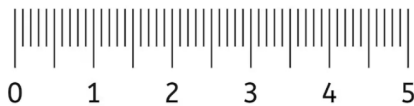
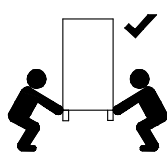
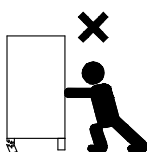
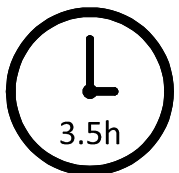
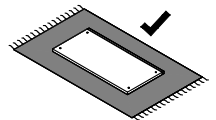
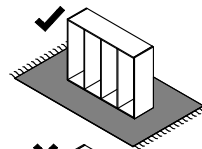
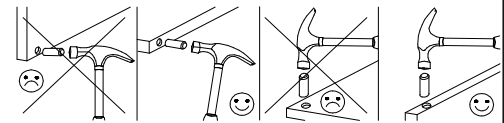
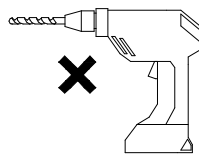
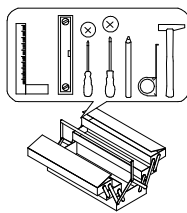
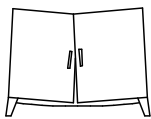
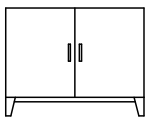
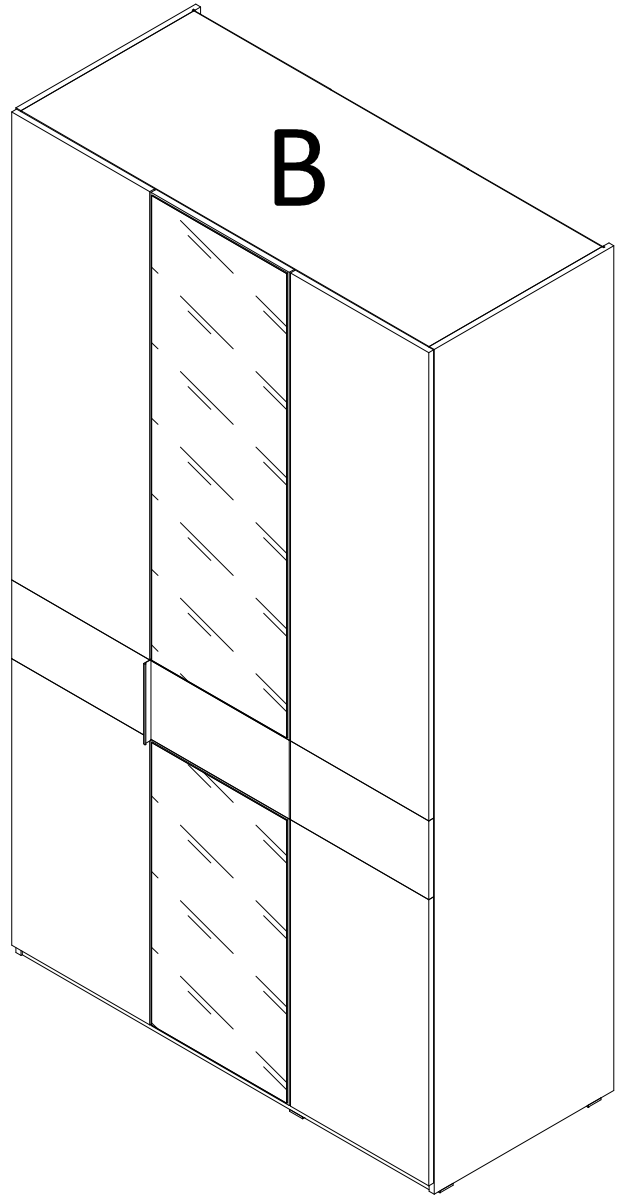
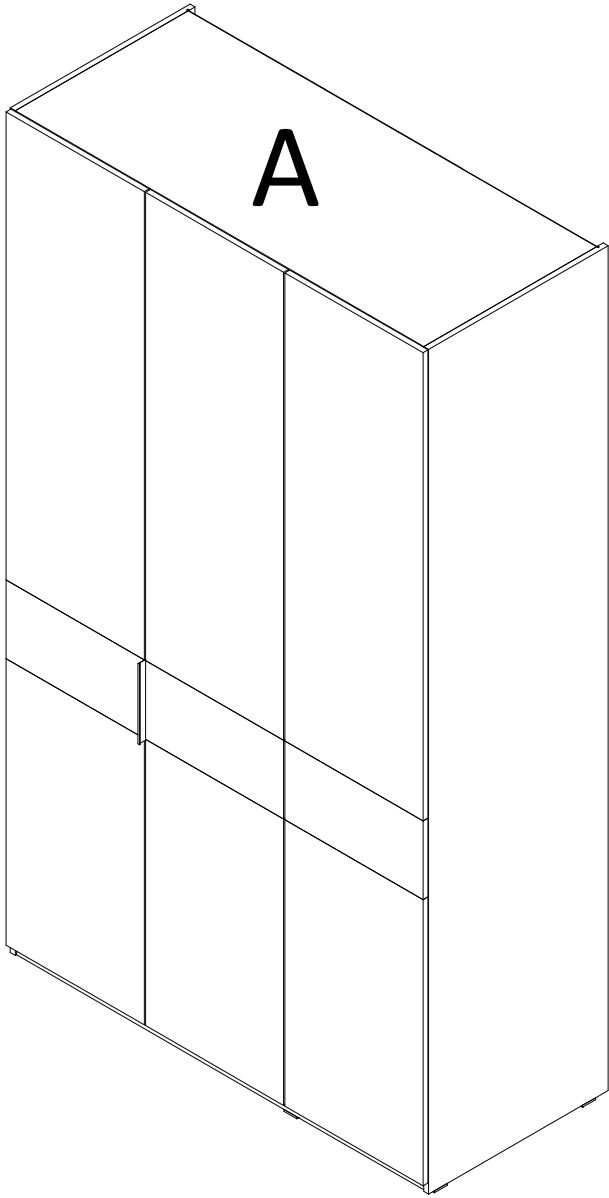
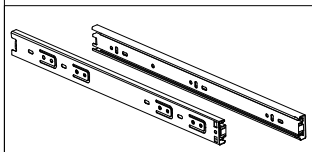
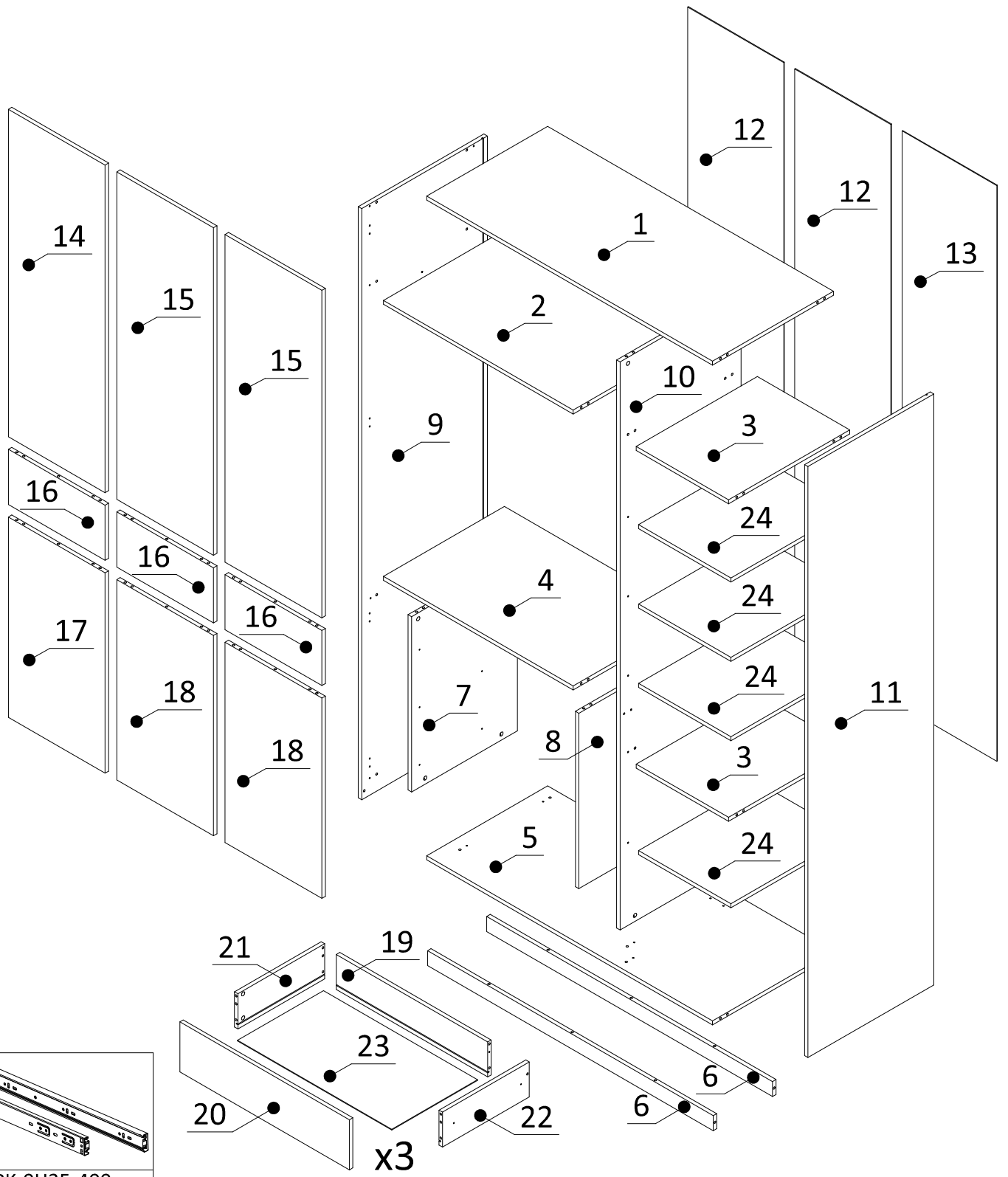


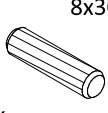
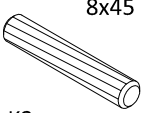

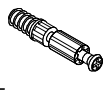
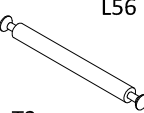
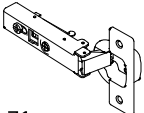
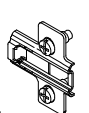
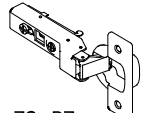
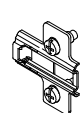
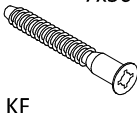




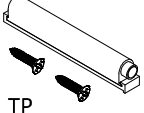
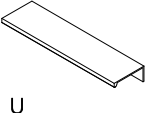
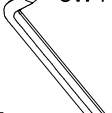
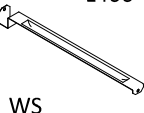
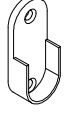
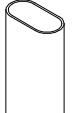
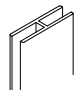
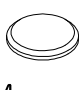
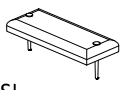

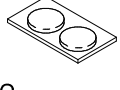
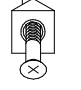
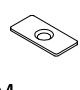


SORENO

Szafa 135

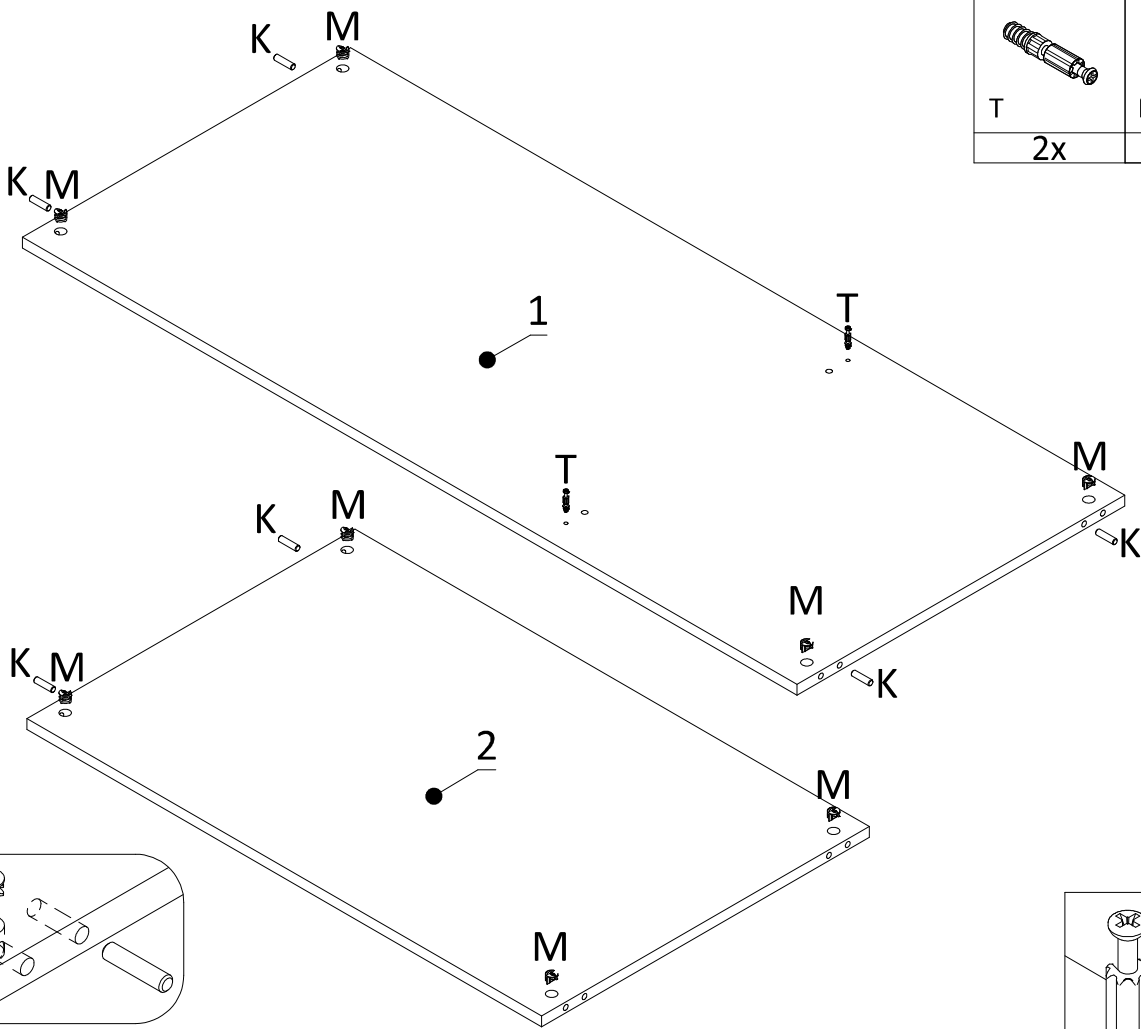




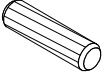


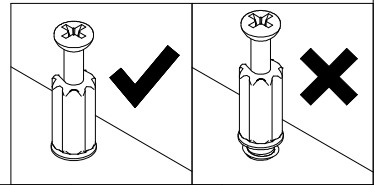
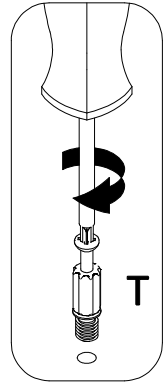
3x PK-0H35-400

 K	 K2	 M	 T	 T2	 Z1	 PZ	 Z2+PZ	 Z2+PZ		
60x	20x	72x	44x	14x	8x	8x	4x			
 KF	 E1	 W4	 W2	 W1	 TP	 U	 KL	 WS	 R	
6x	24x	28x	26x	2x	1x	2x	1x	3x	1x	
 D	 H	 ZM	 SL	 P	 O	 S	 PM	 G	 PS	
1x	1x	72x	6x	16x	4x	8x	20x	56x	1x	

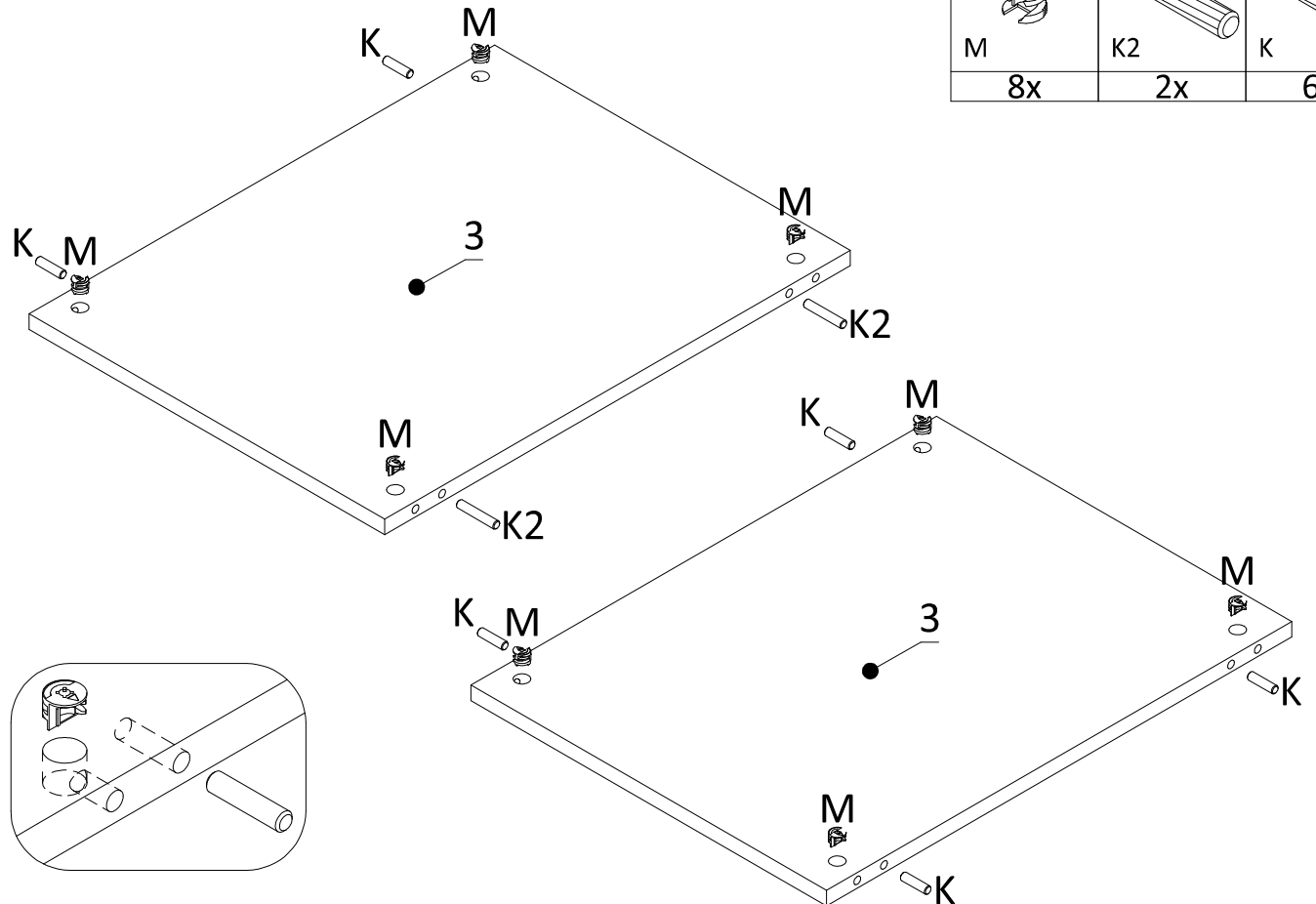
1



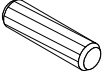


		
T	M	K
2x	8x	6x

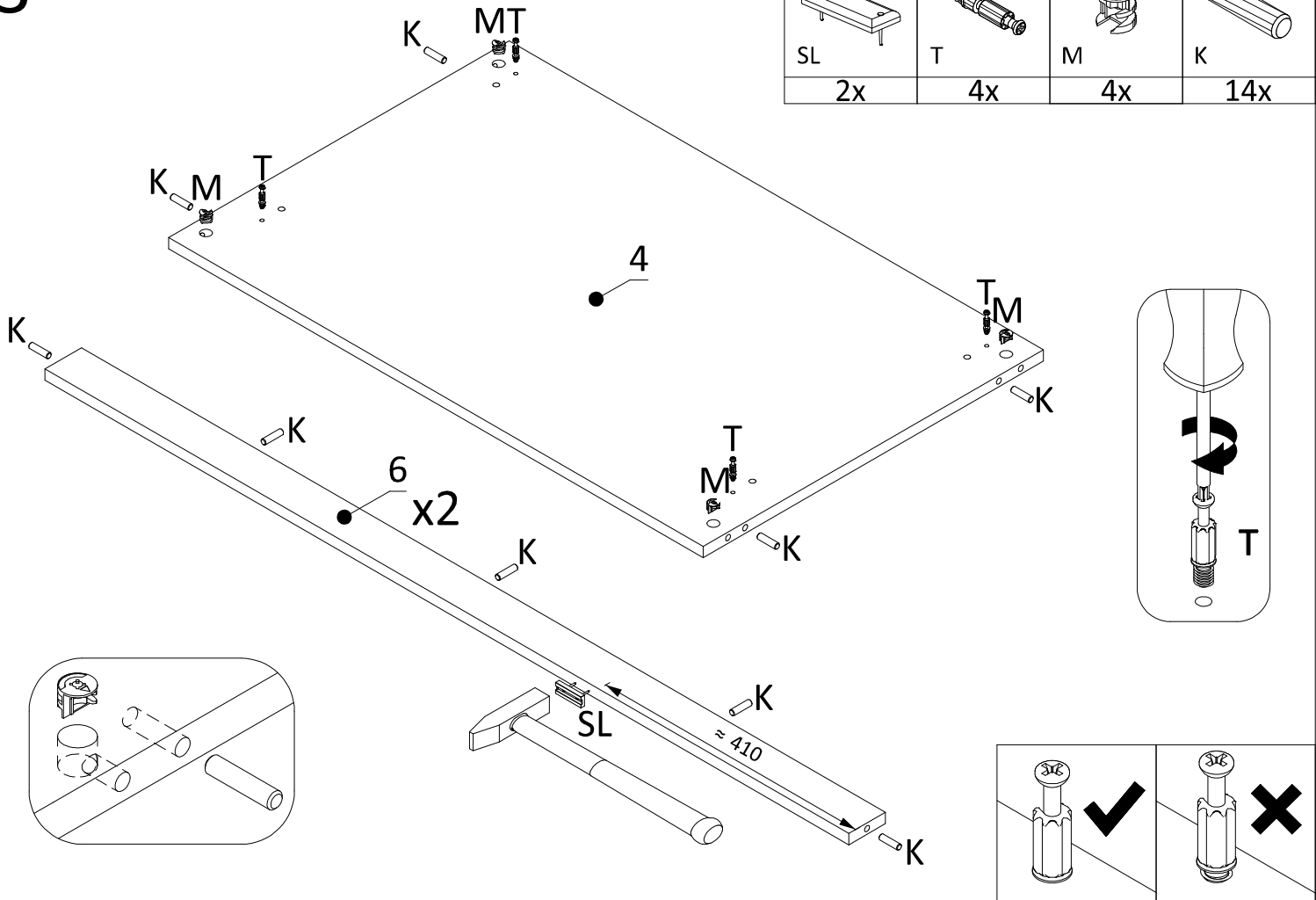


2

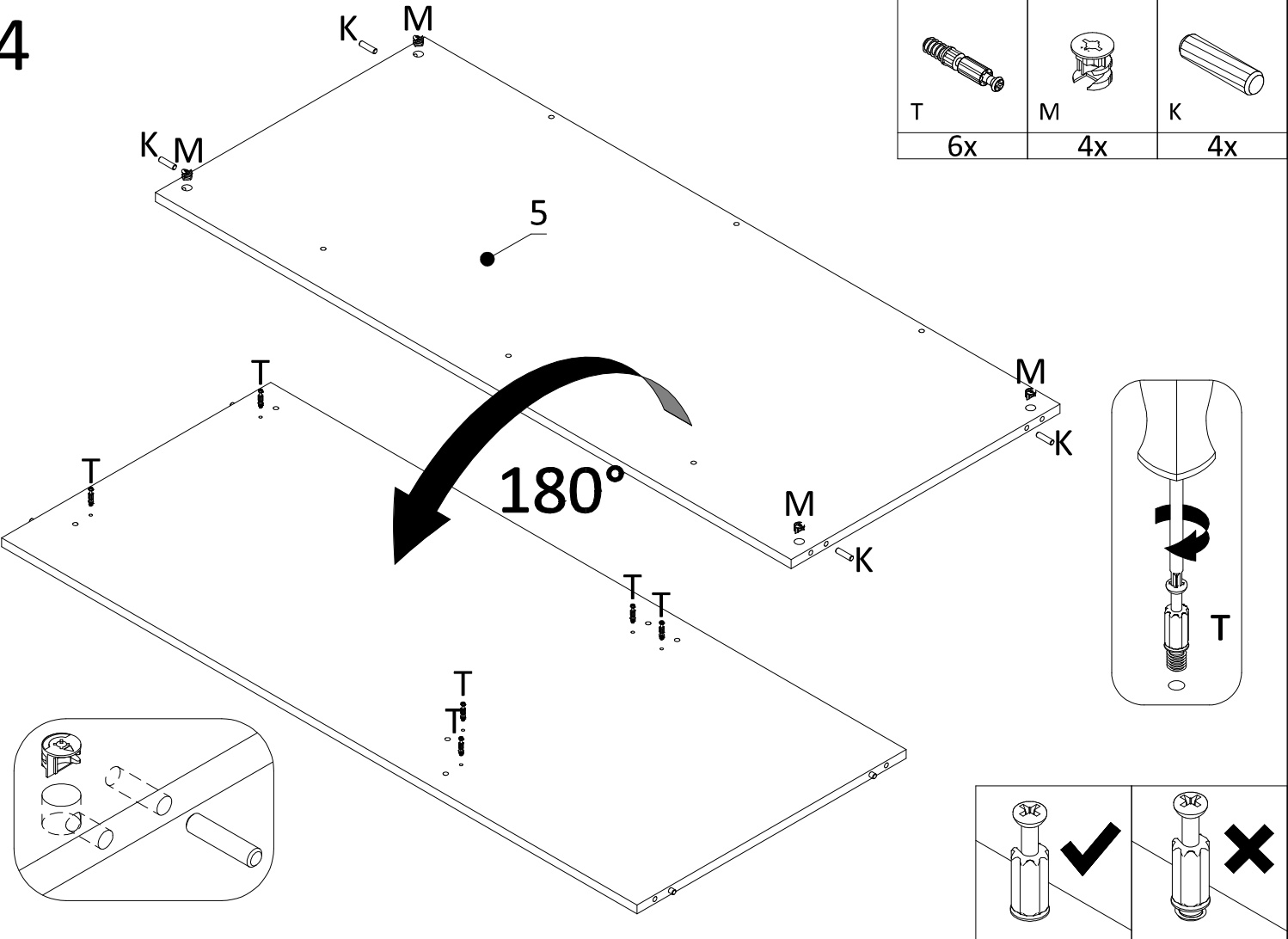


		
M	K2	K
8x	2x	6x

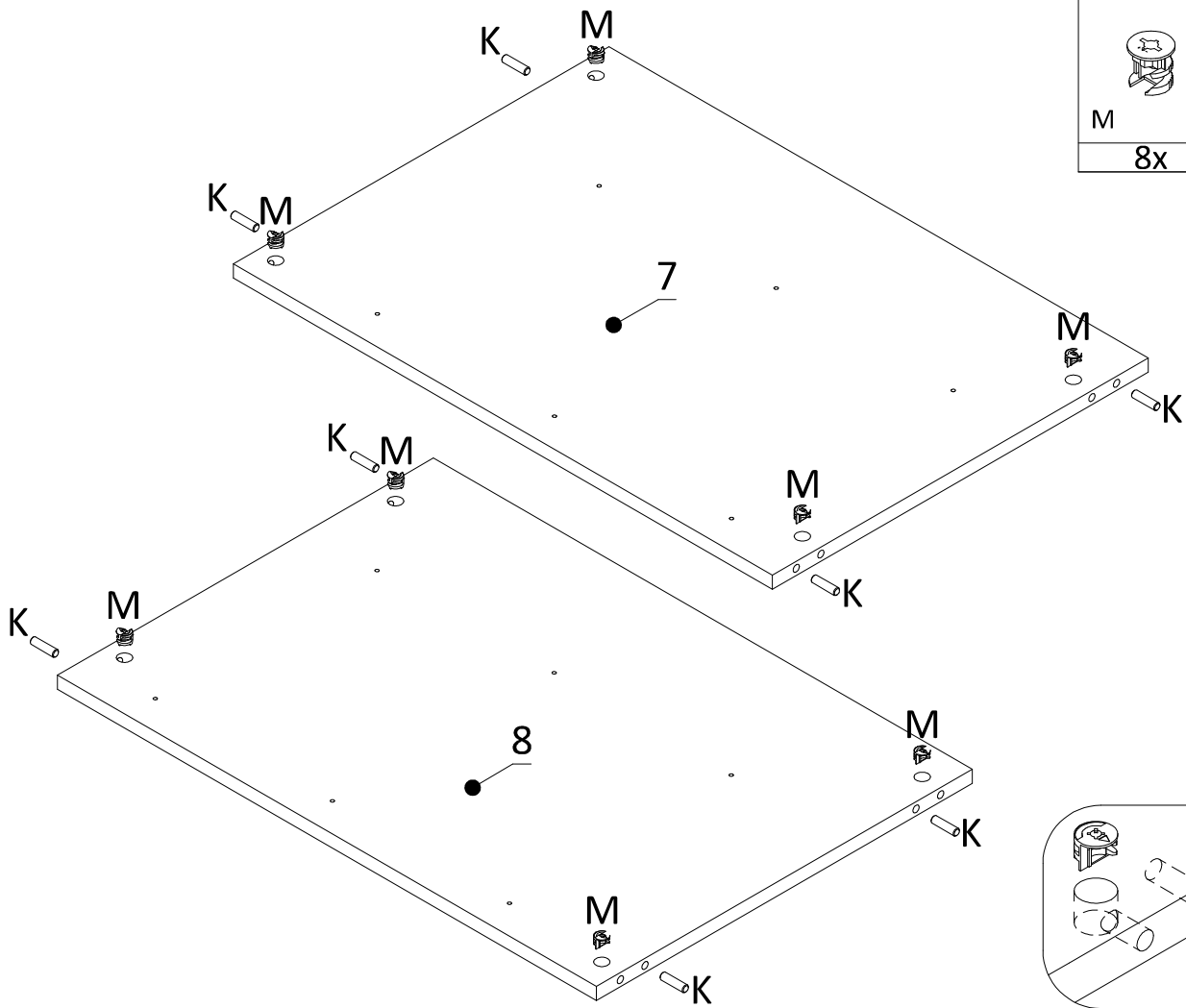
3


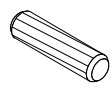


4

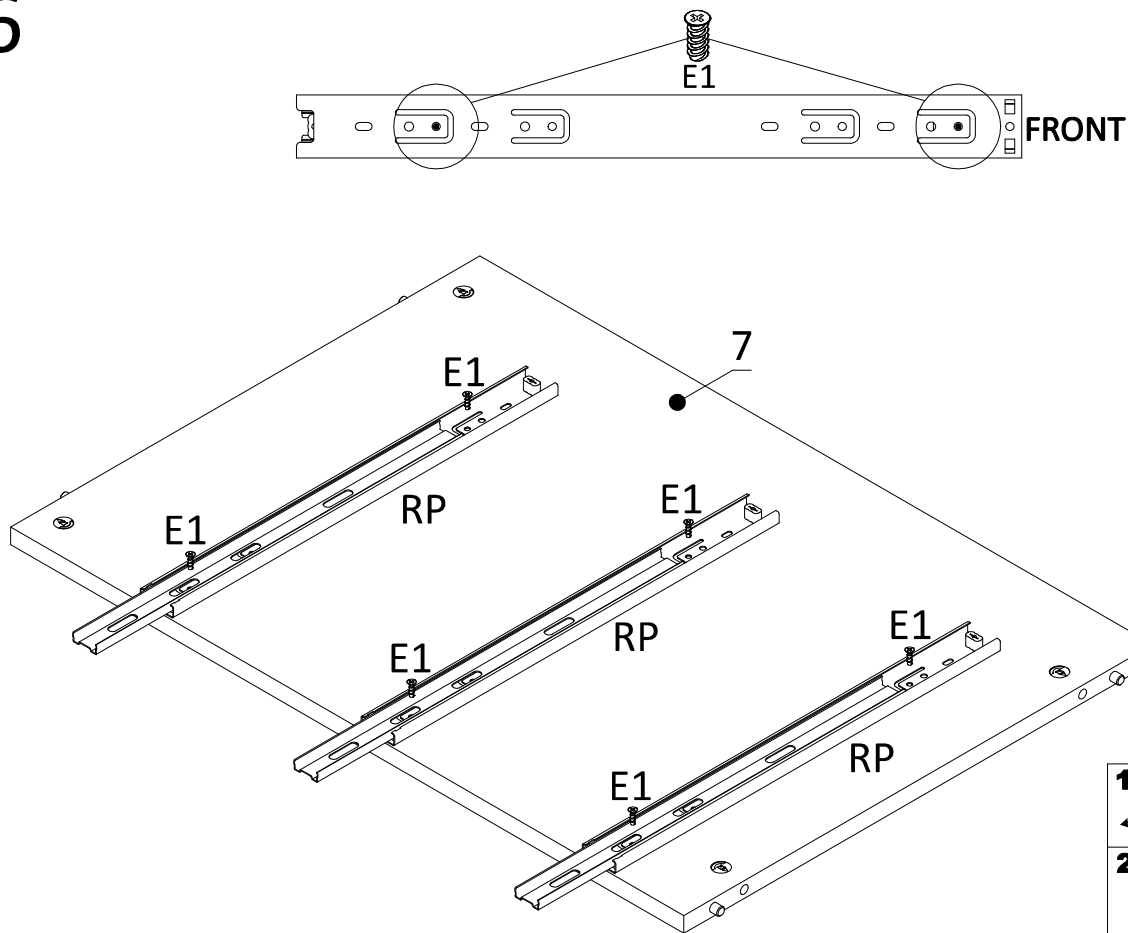



5

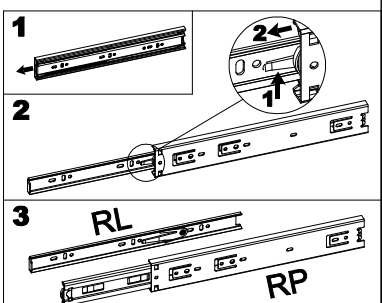


	
M	K
8x	8x

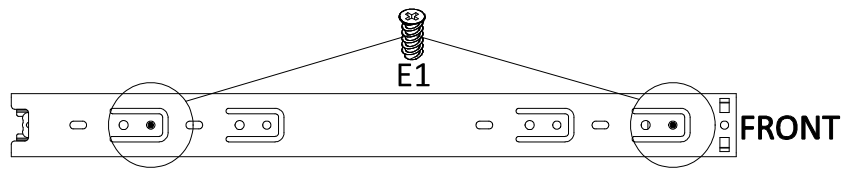
6



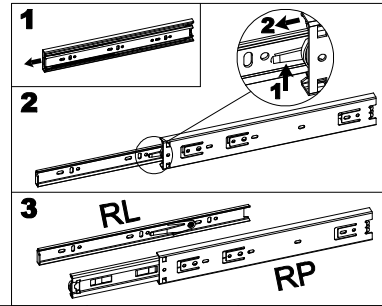
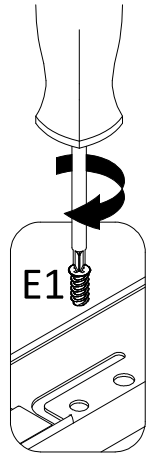
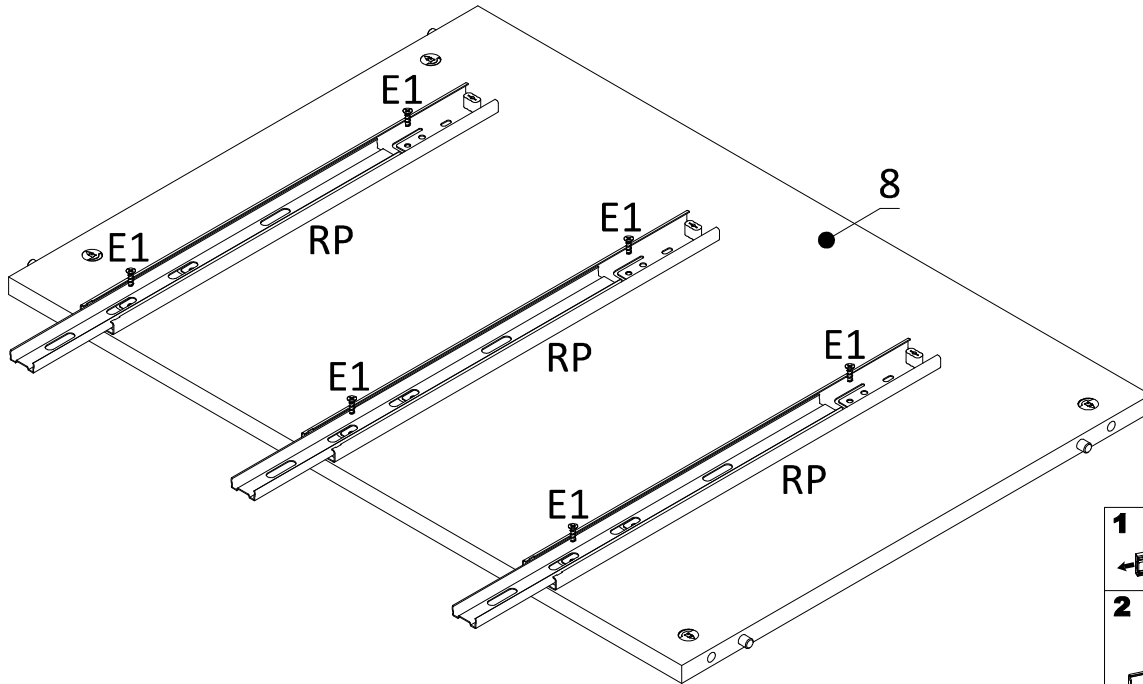

E1
6x



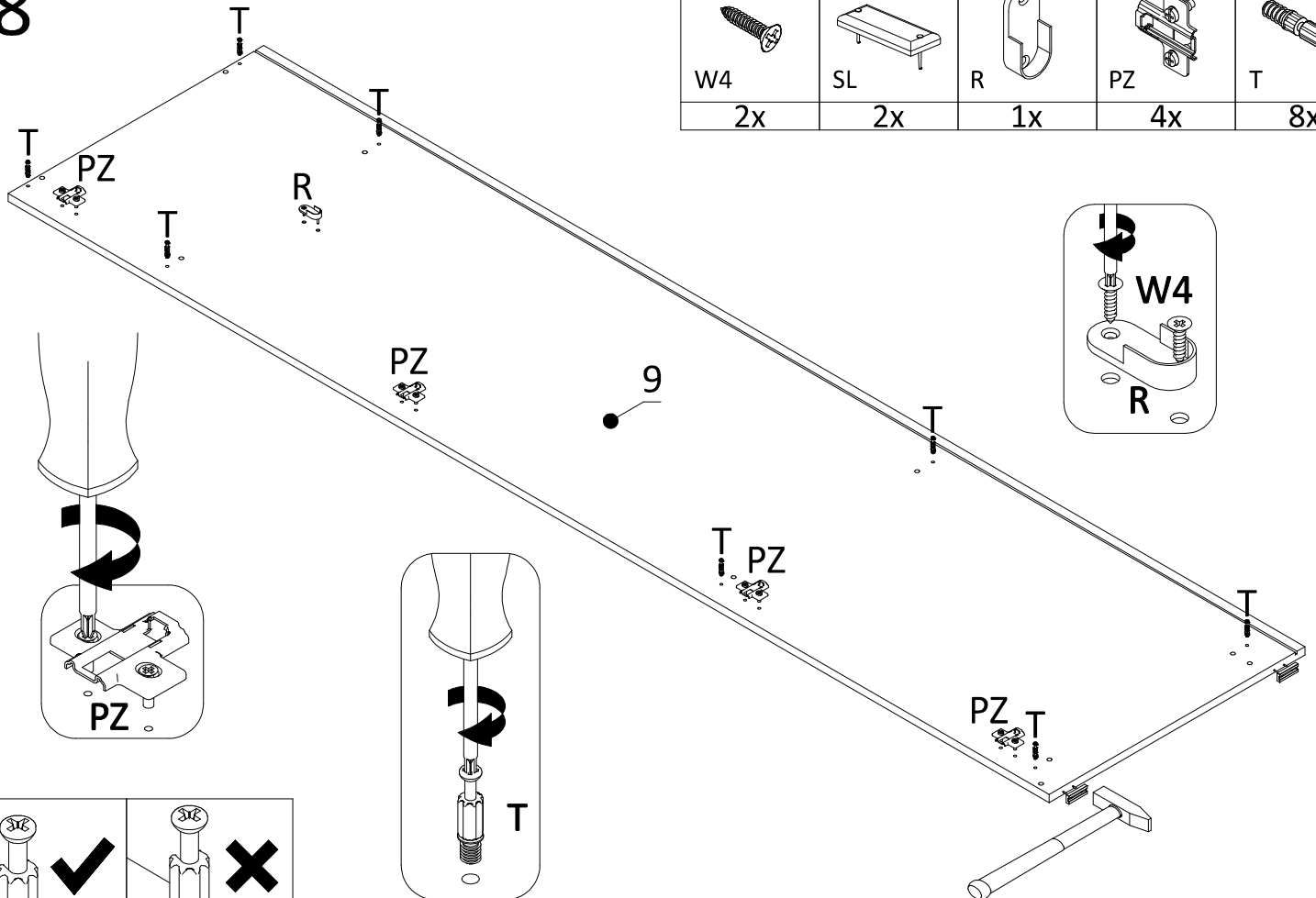
7



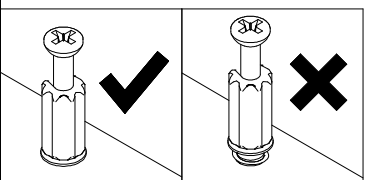
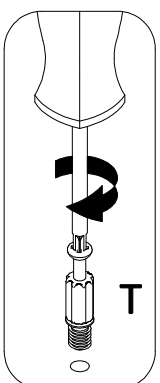
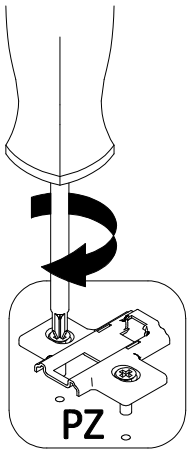
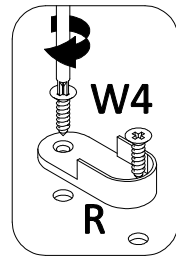
E1
6x



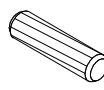

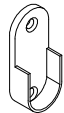
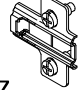
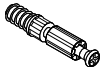
8

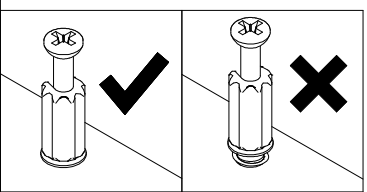
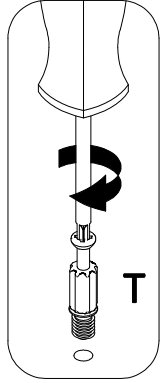
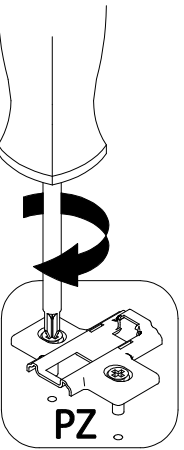
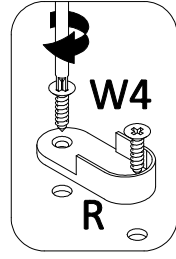
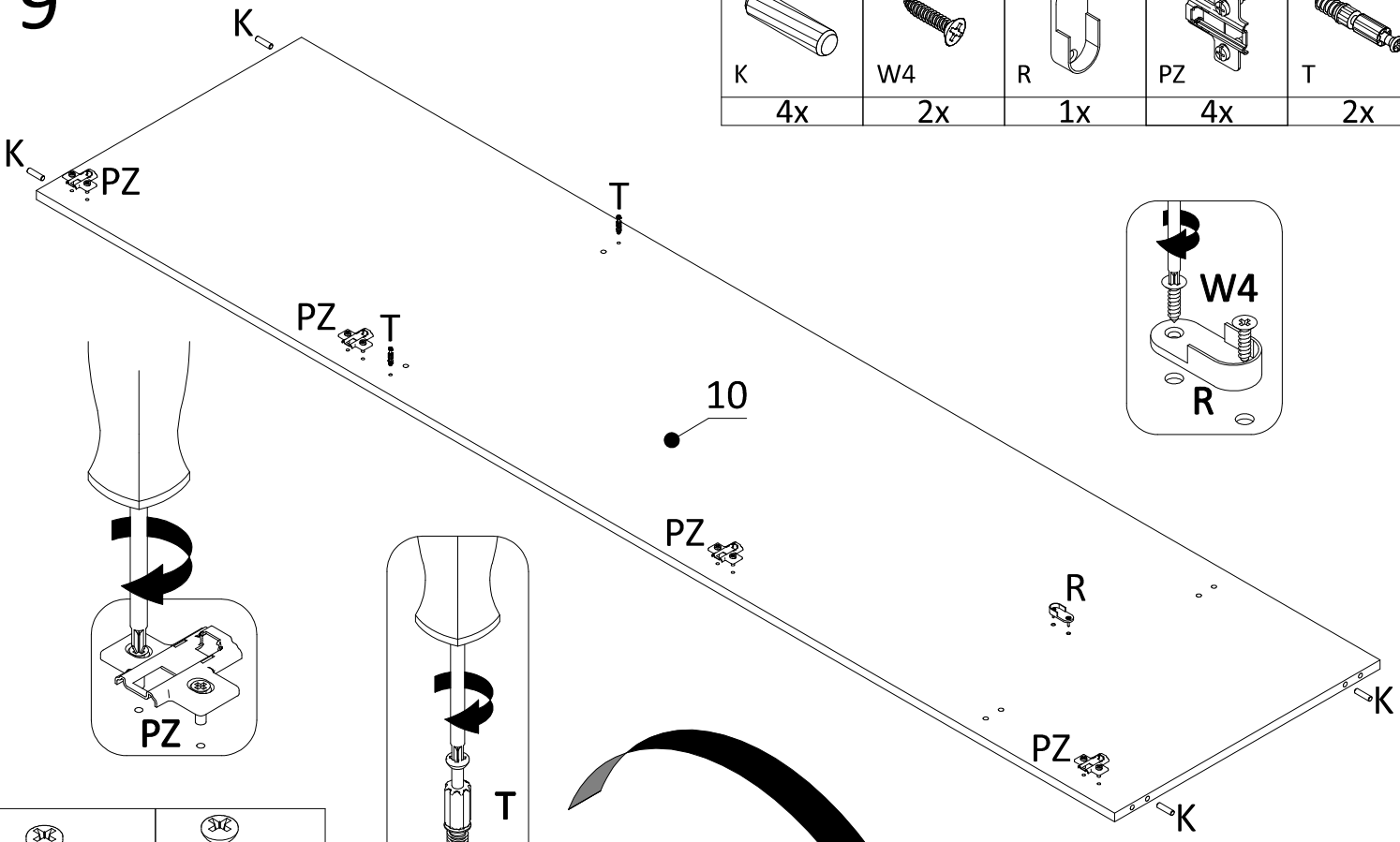


W4	SL	R	PZ	T
2x	2x	1x	4x	8x




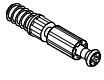

9

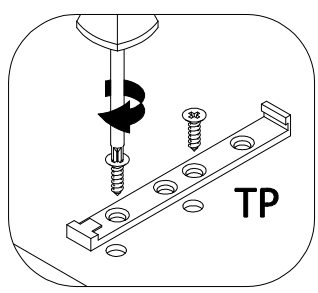
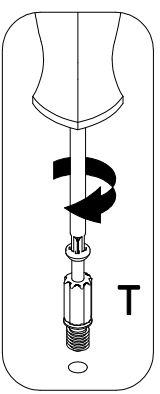
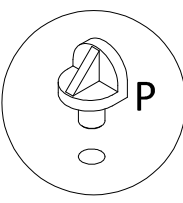
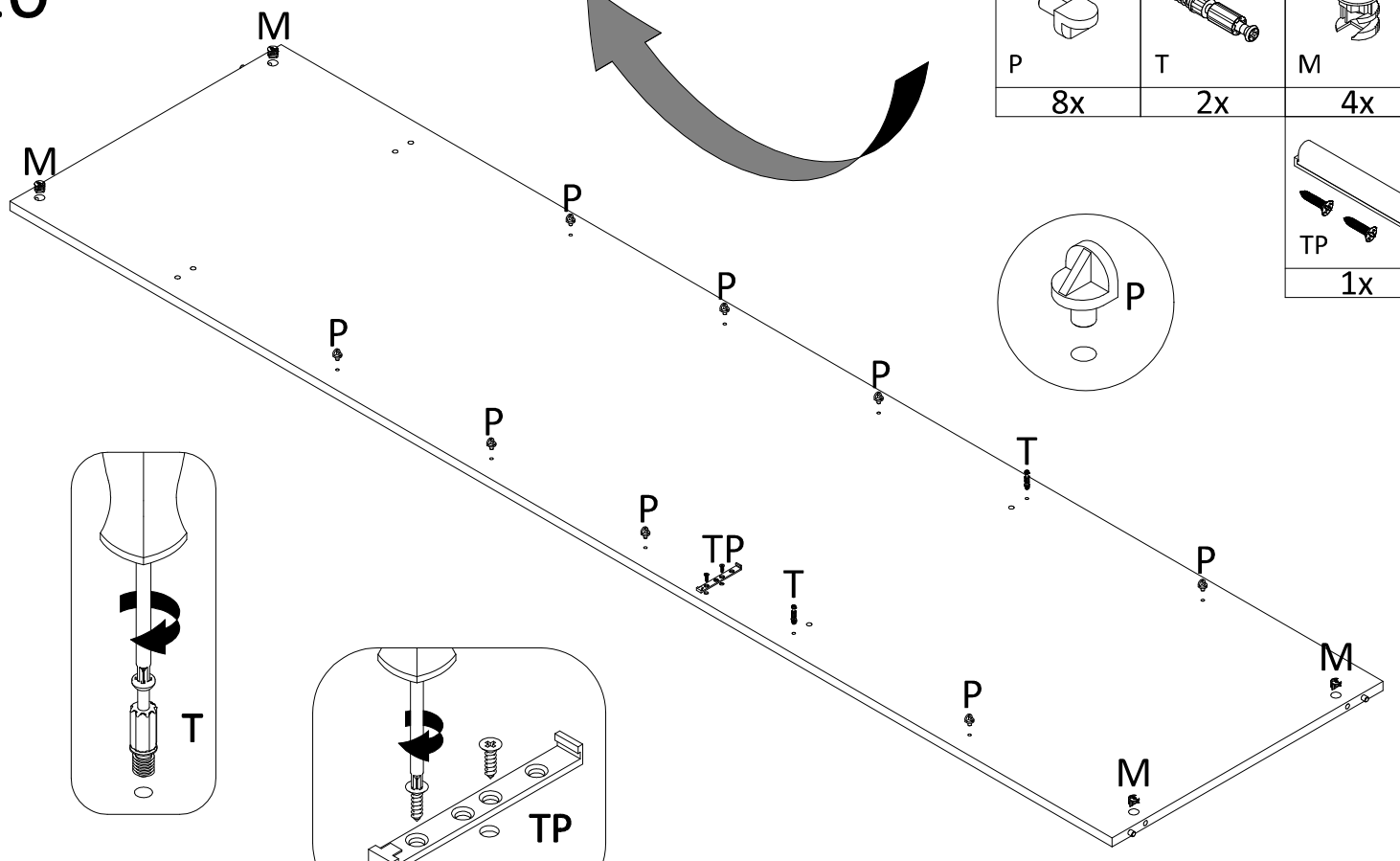
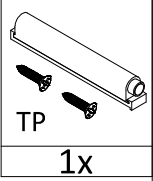
				
K	W4	R	PZ	T
4x	2x	1x	4x	2x



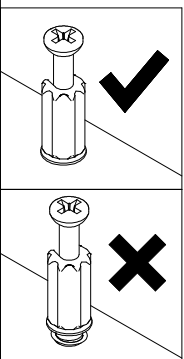
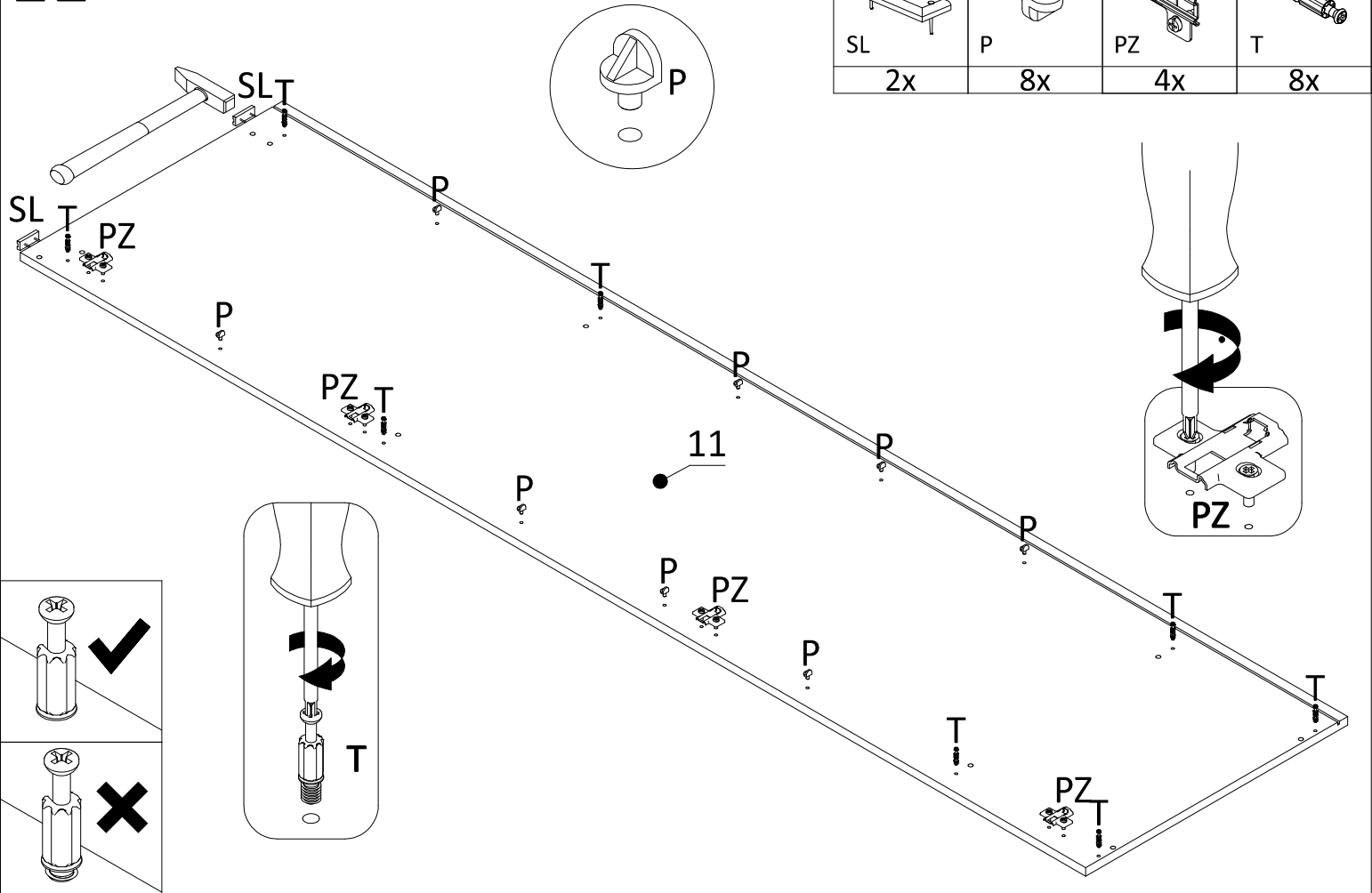
180°

10

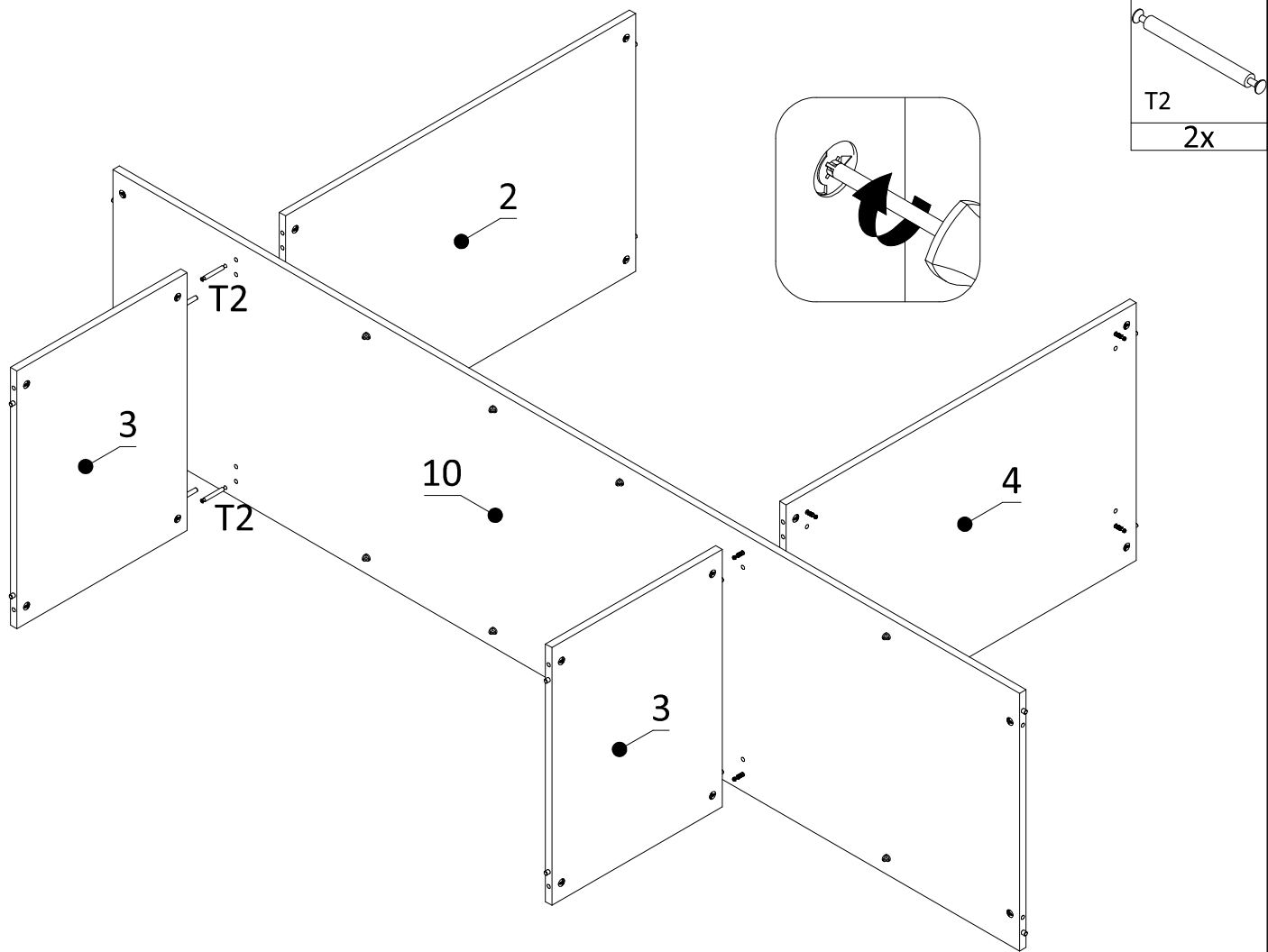
		
P	T	M
8x	2x	4x



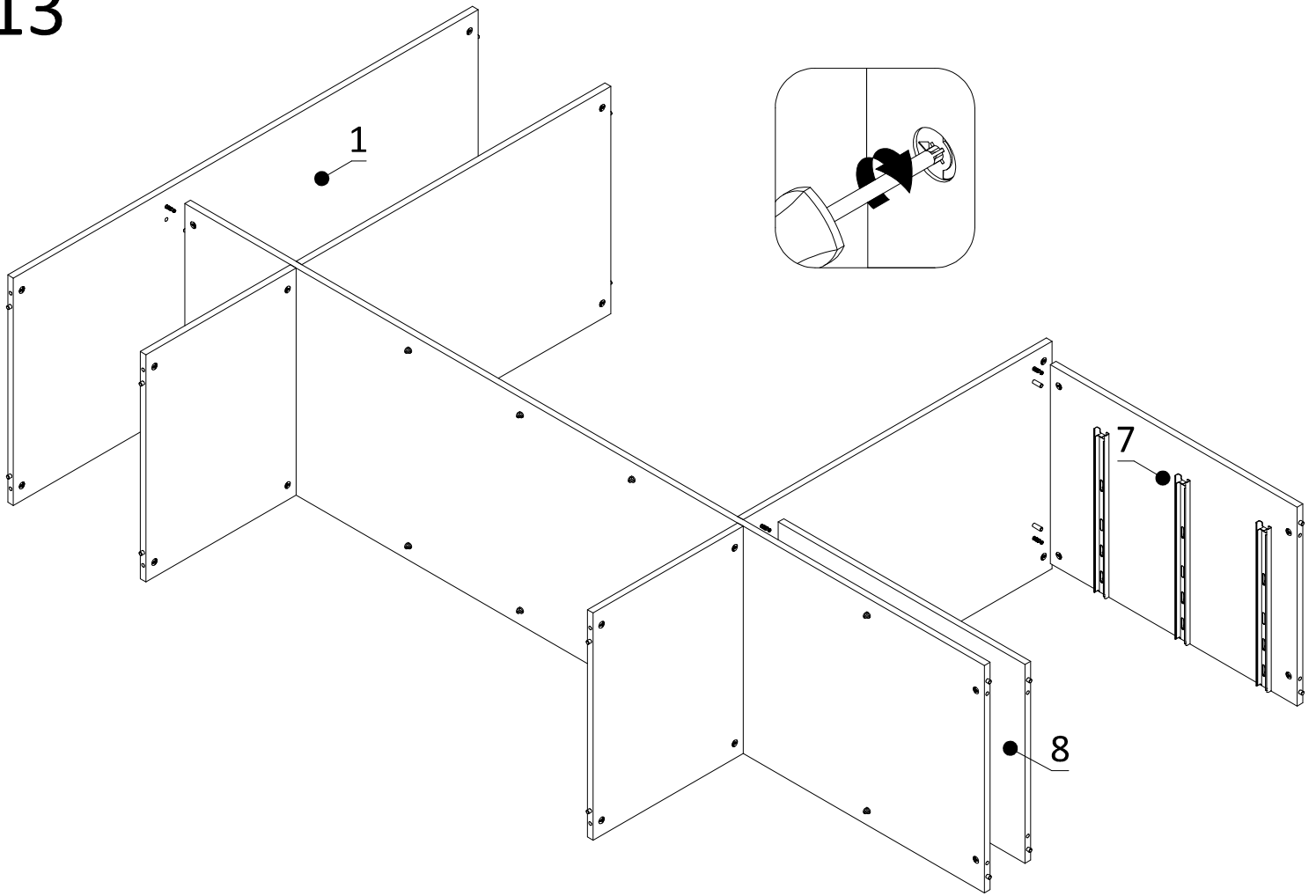
11



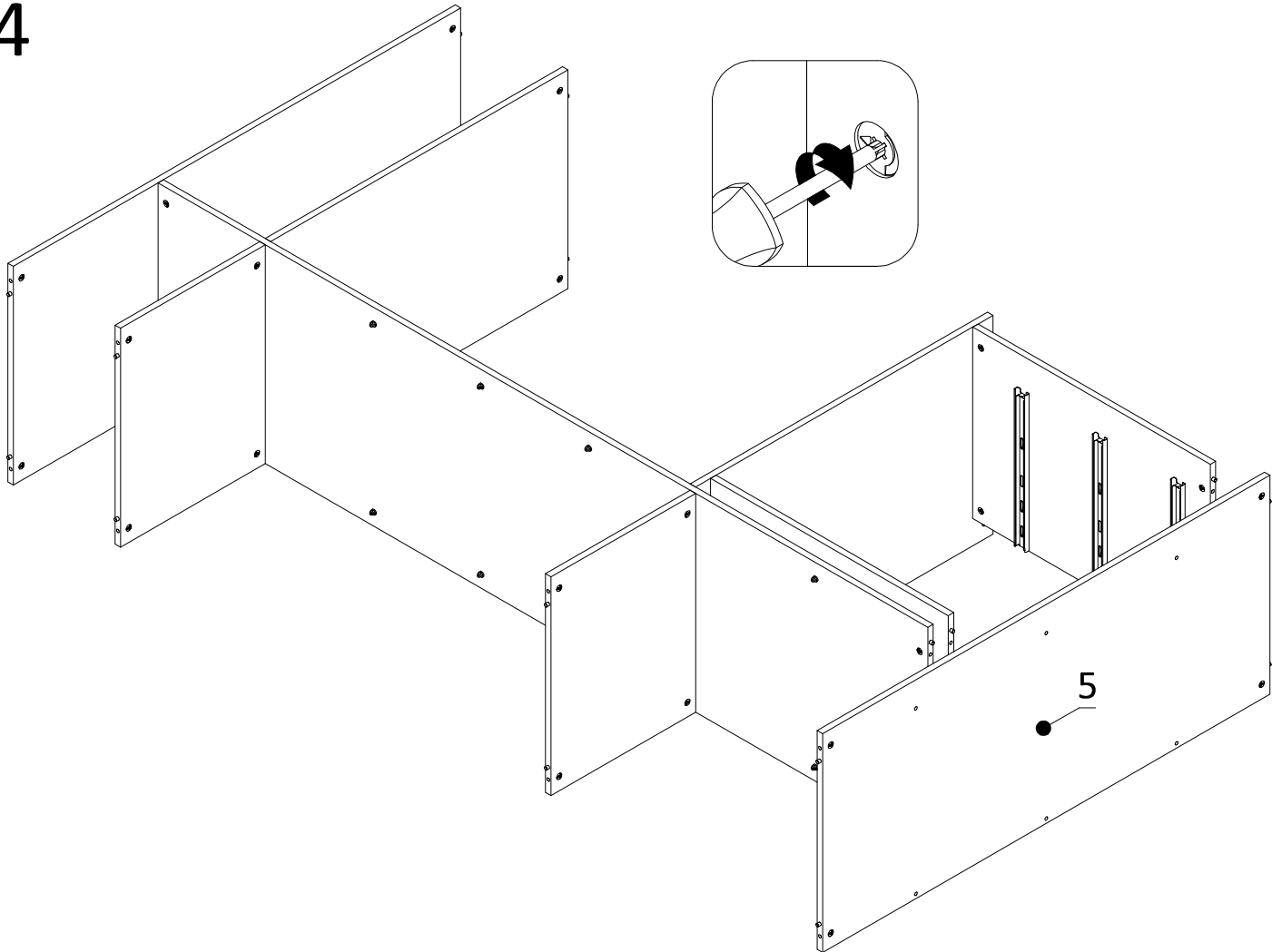
12



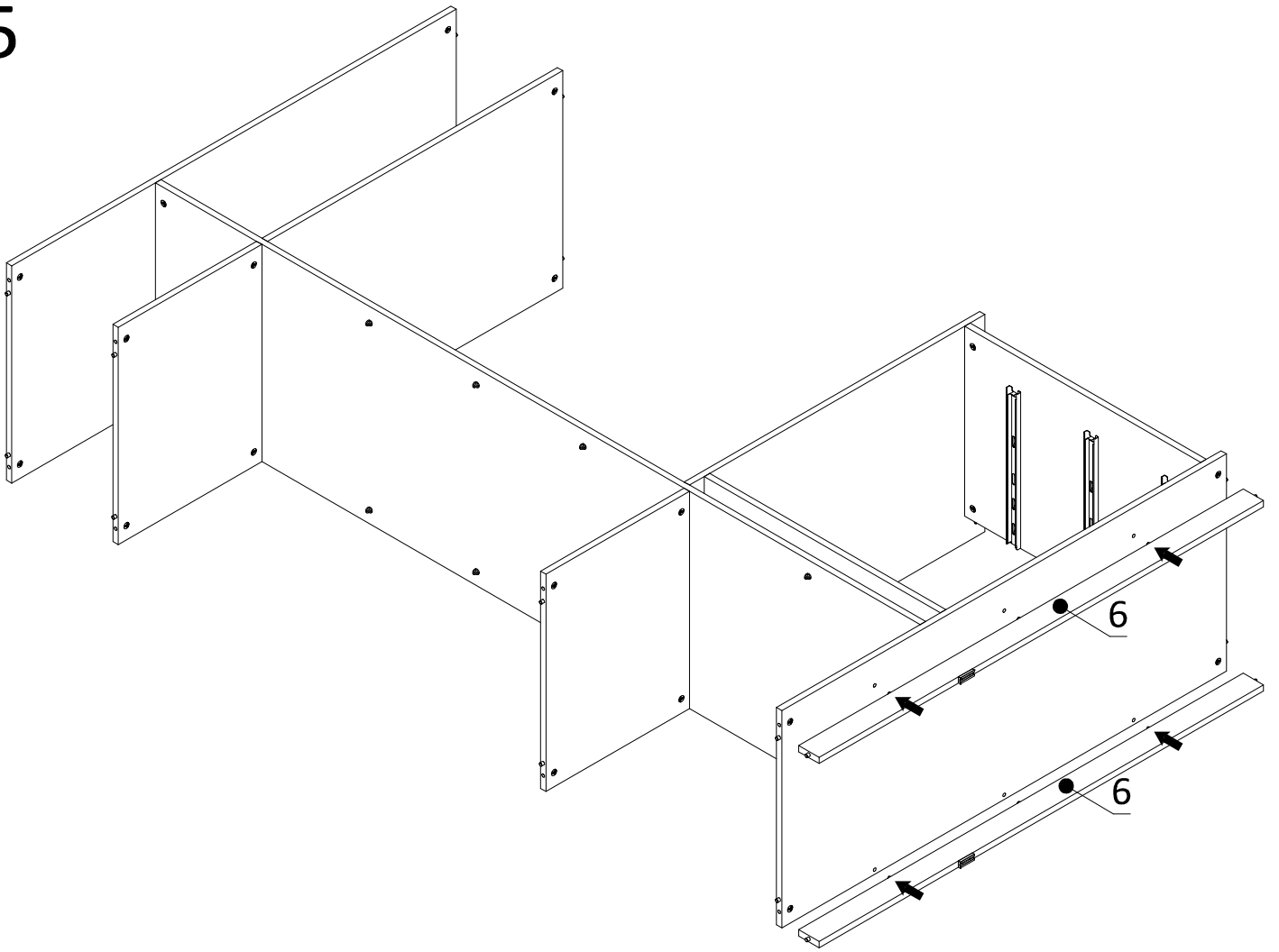
13



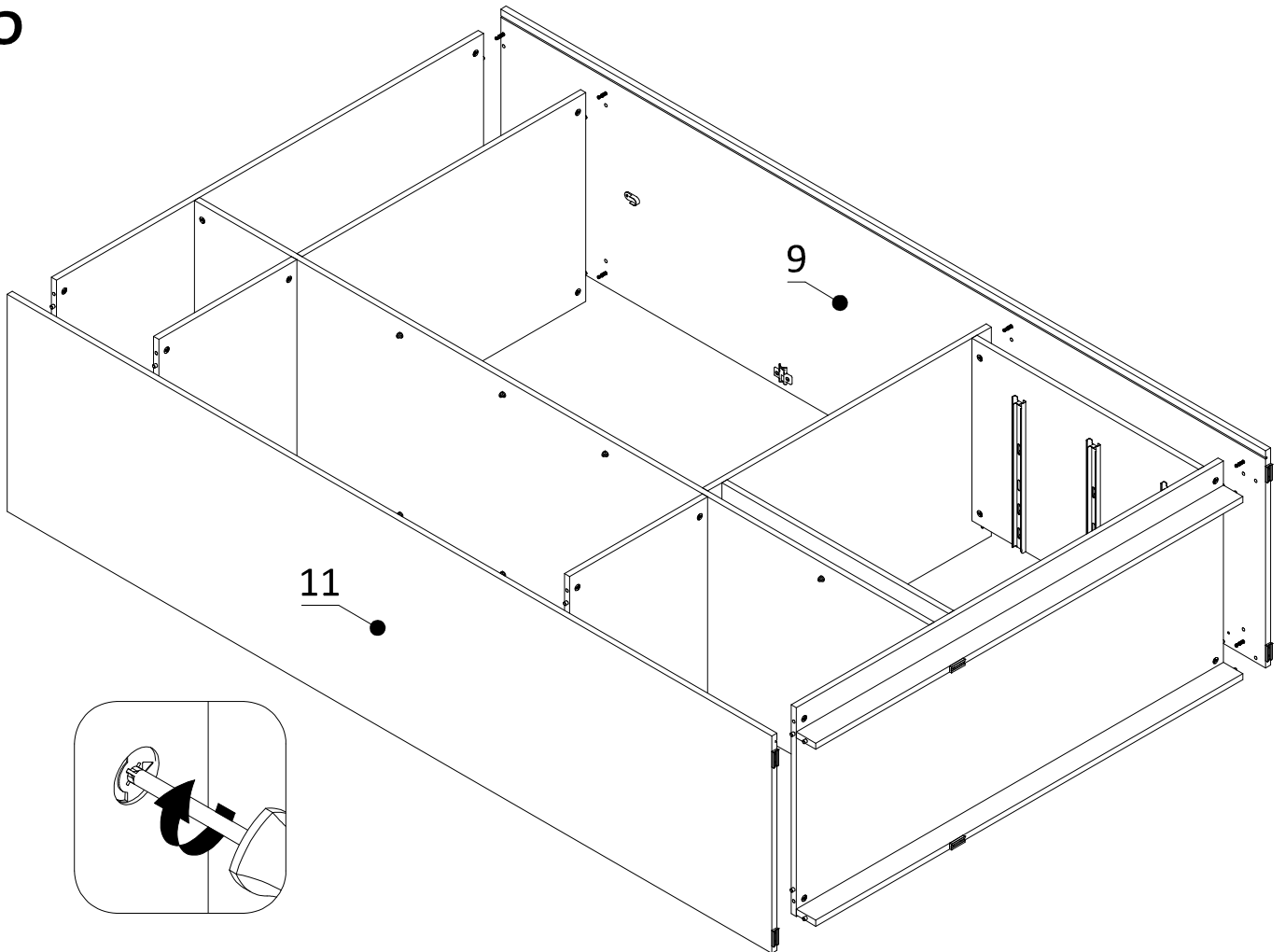
14



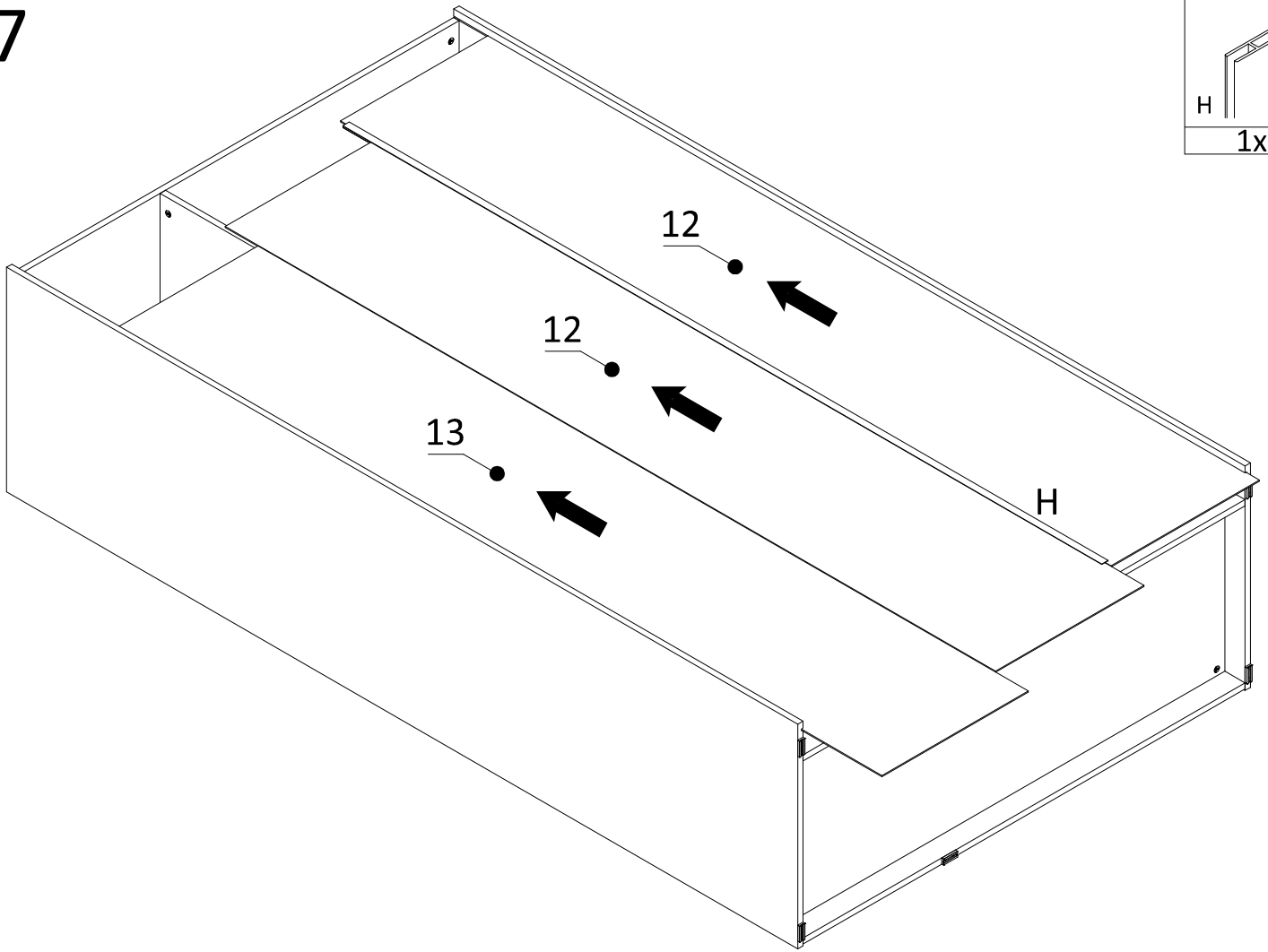
15




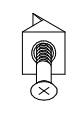

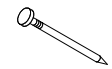
16



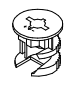
17

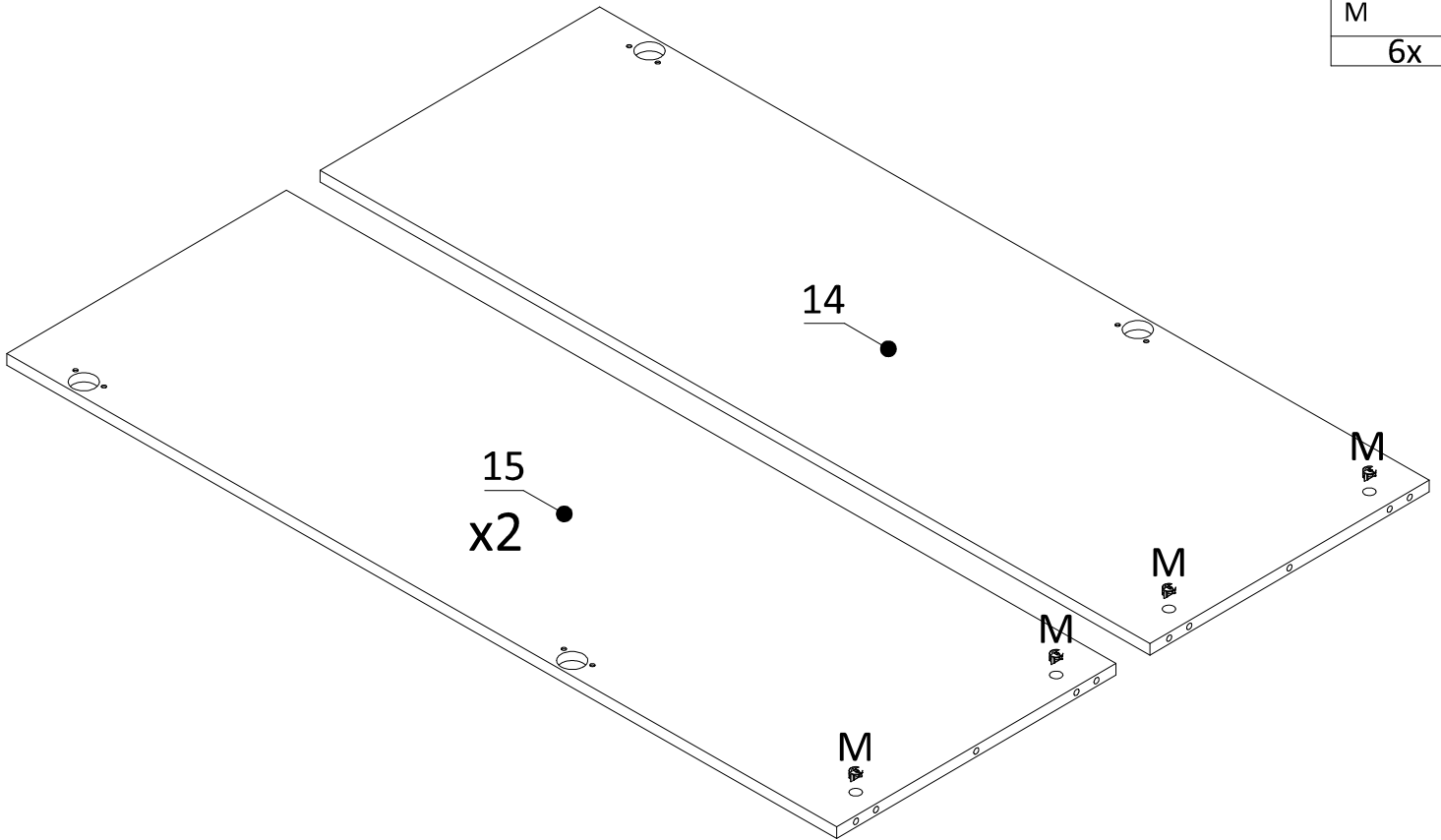


18

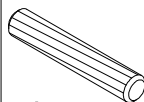

			
W2	S	PM	G
20x	8x	20x	56x

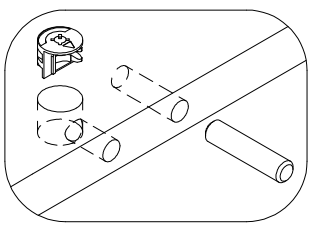
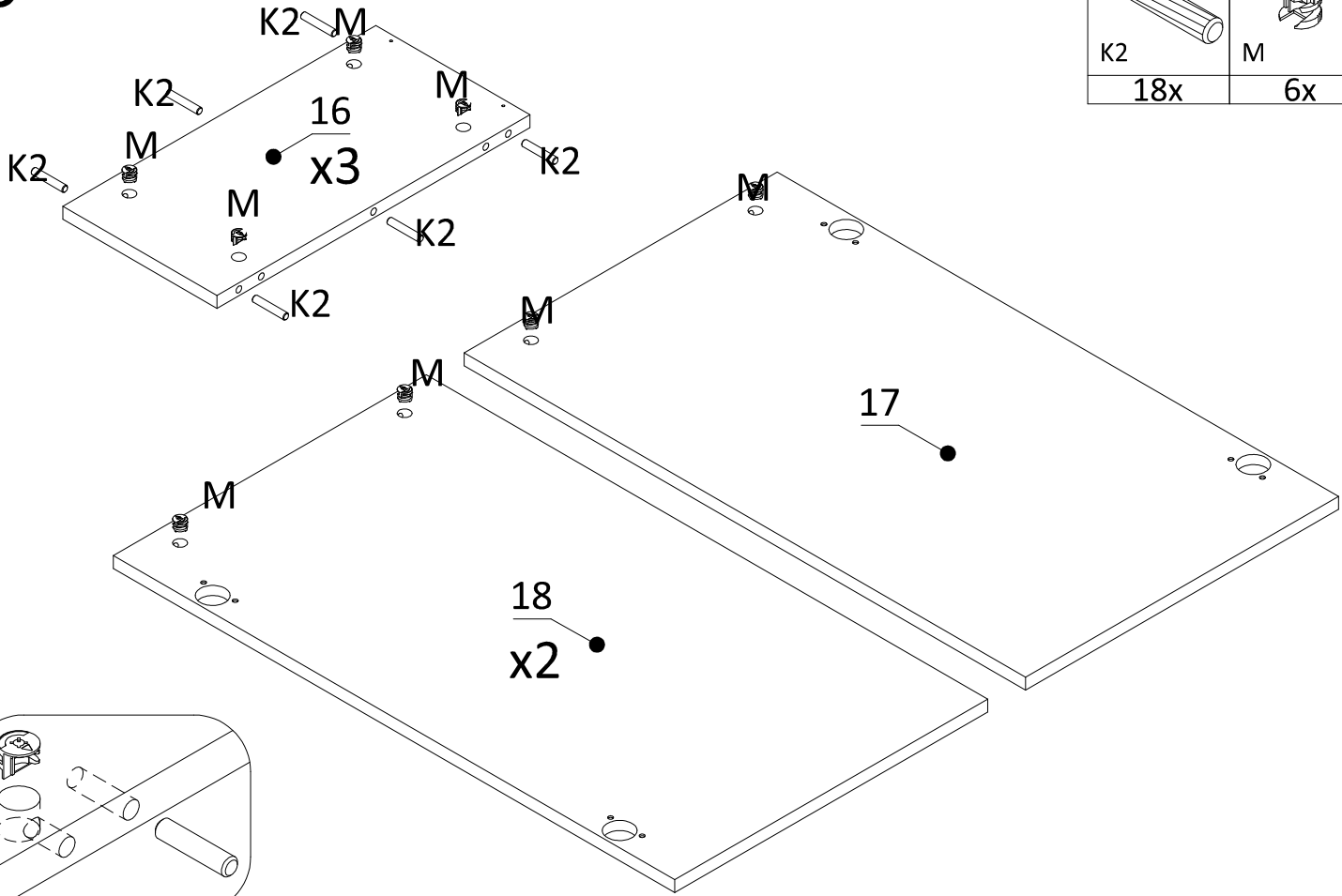
19


M
6x


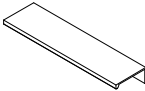


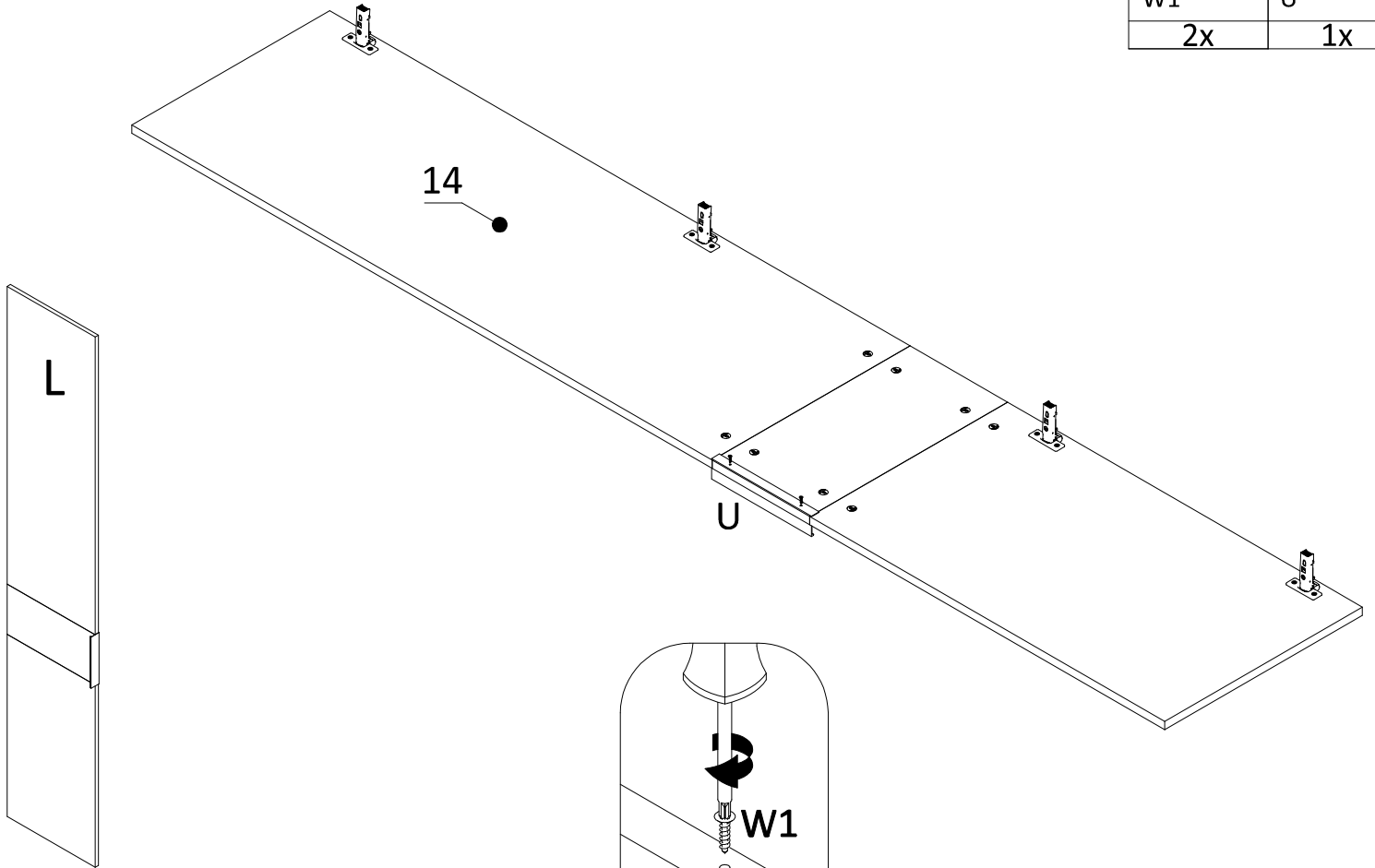
20

	
K2	M
18x	6x

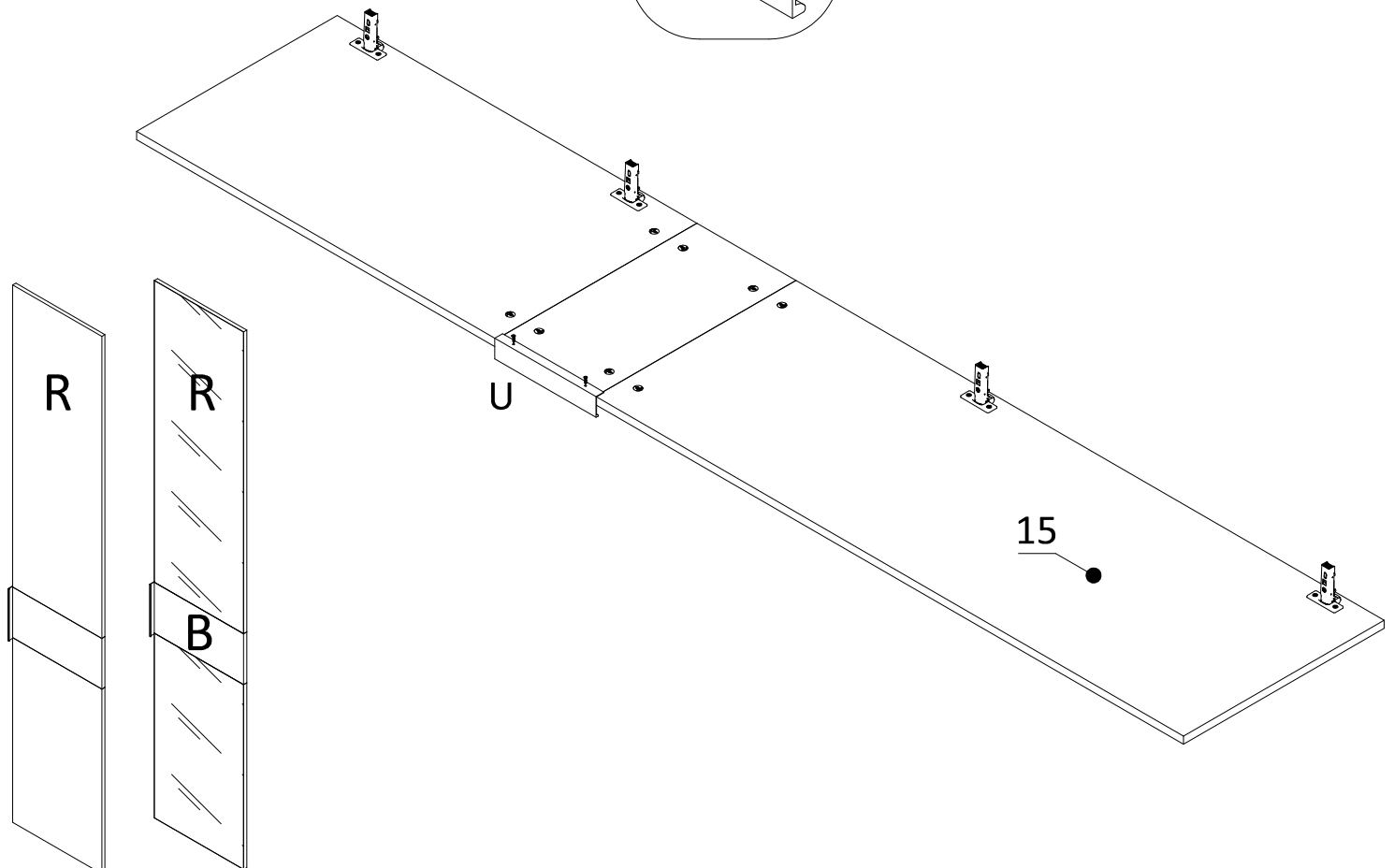
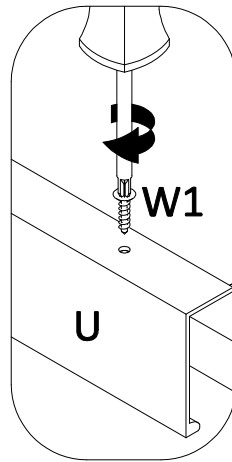


23 Option L

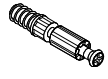
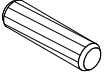
	
W1	U
2x	1x

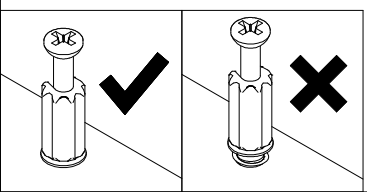
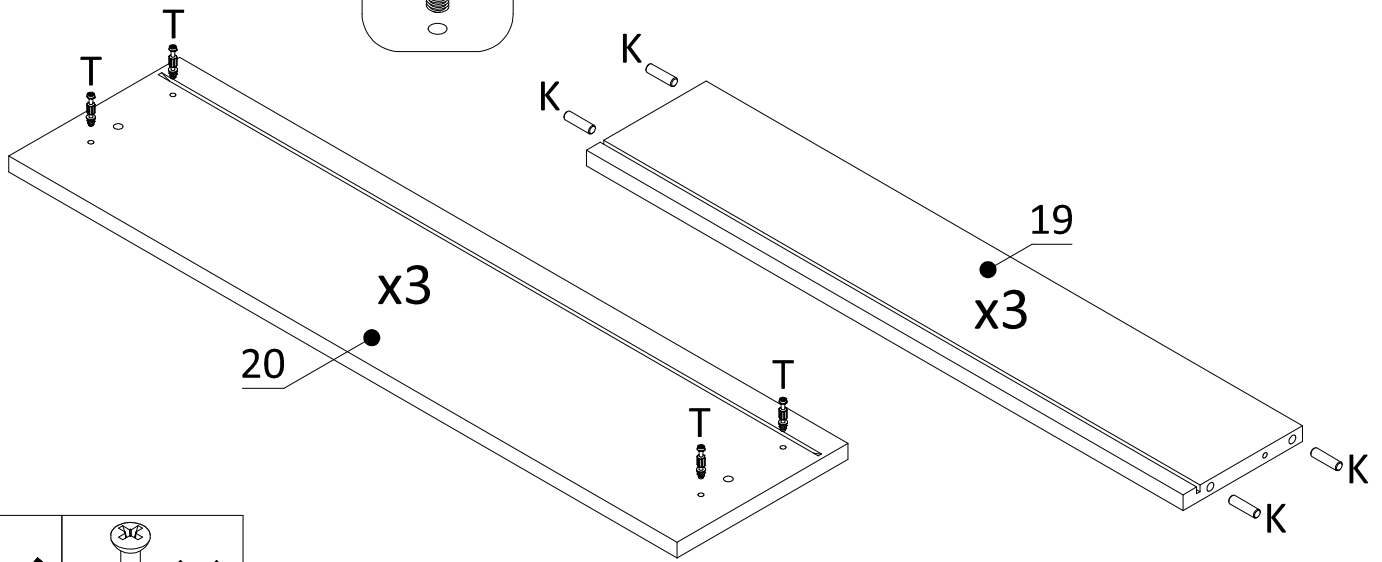
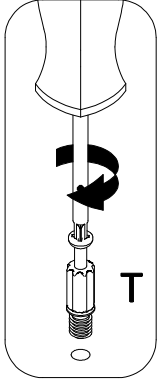


Option R, R-B



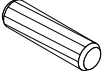
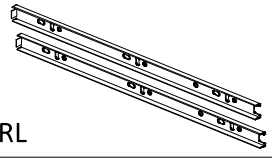


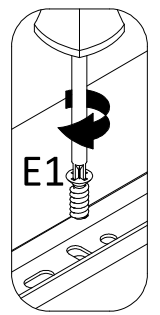
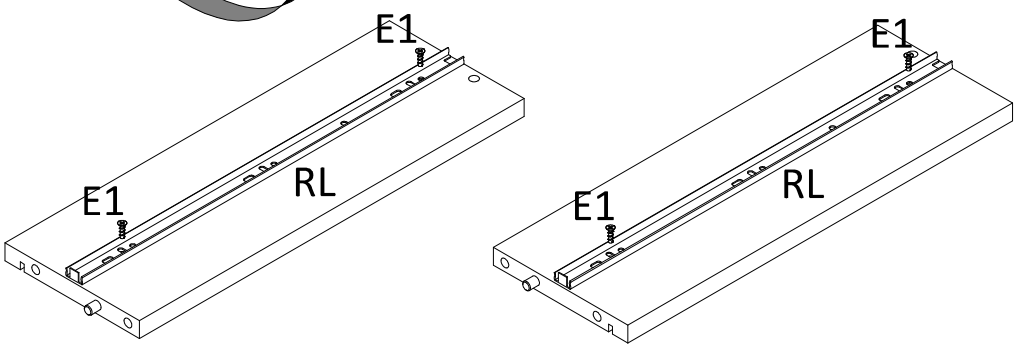
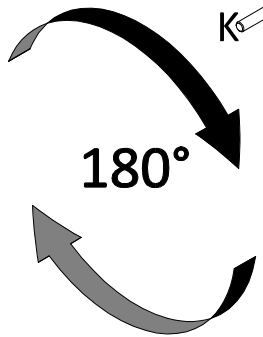
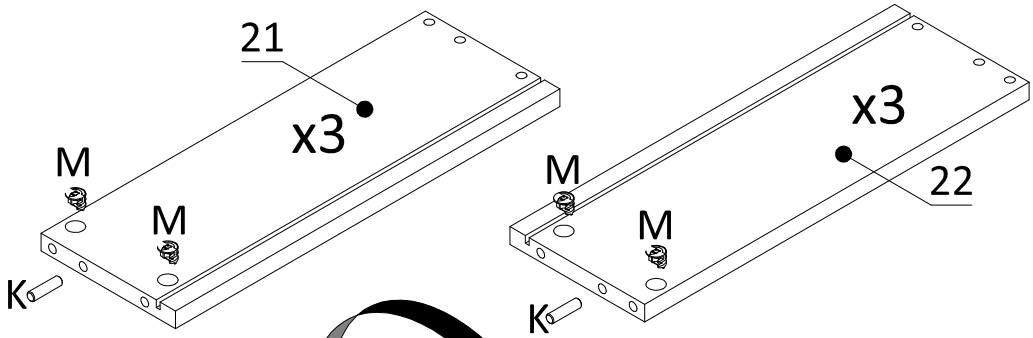
24

	
T	K
12x	12x

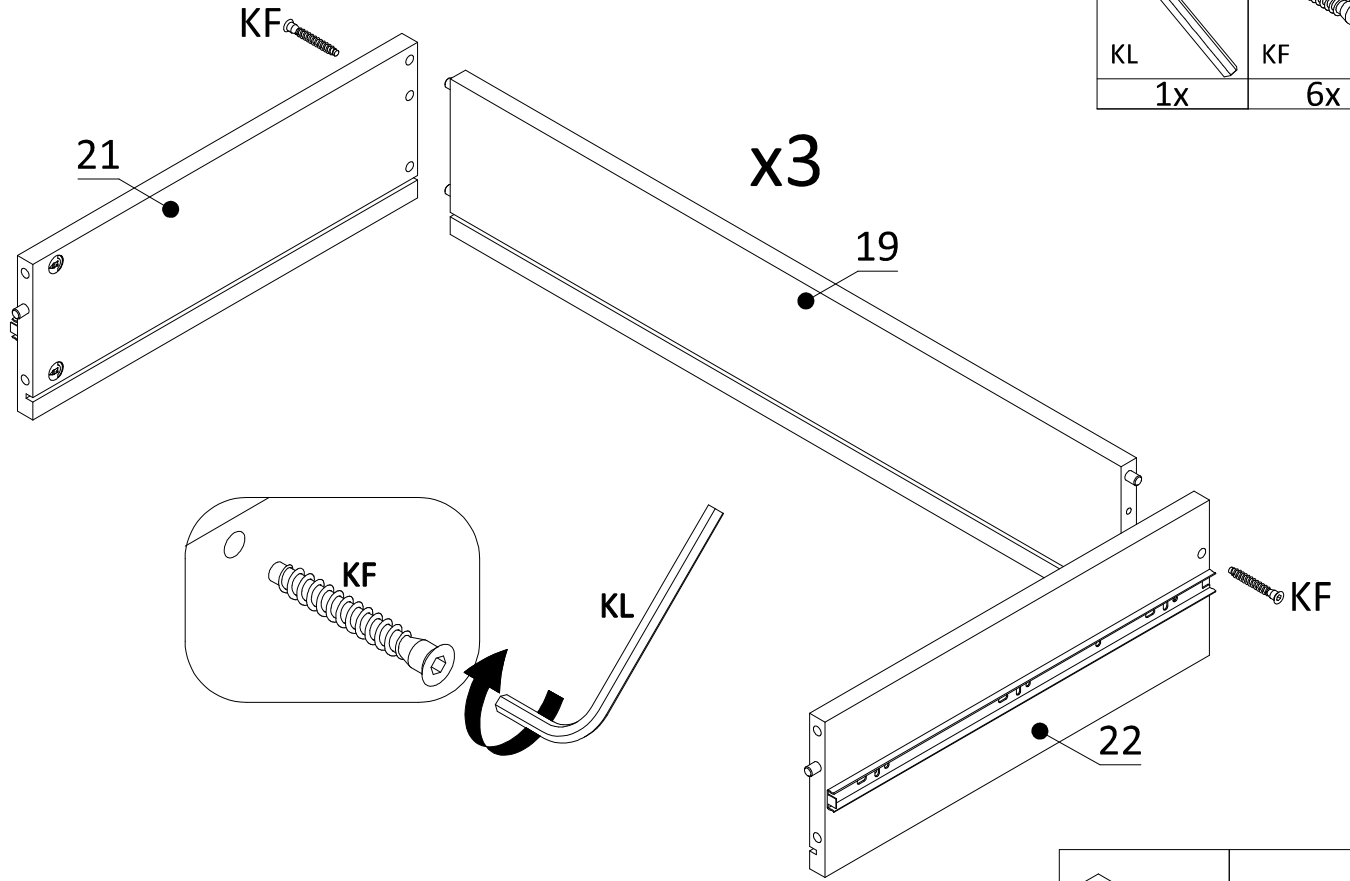


25

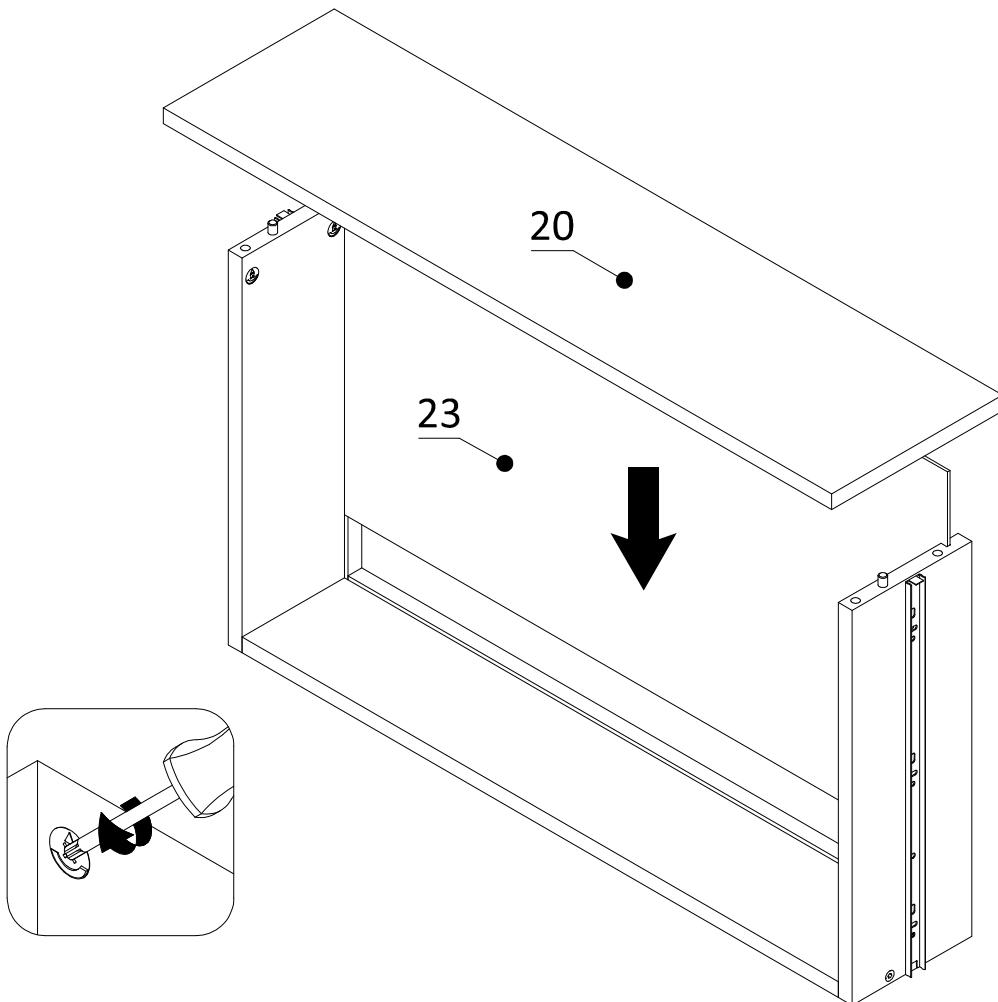
		
E1	M	K
12x	12x	6x
		
RL		
3x		



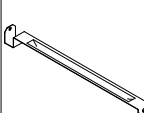

26



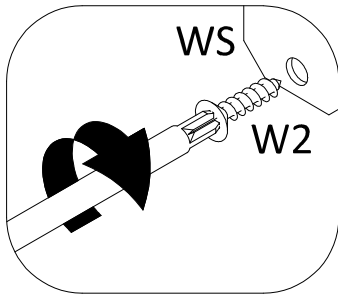
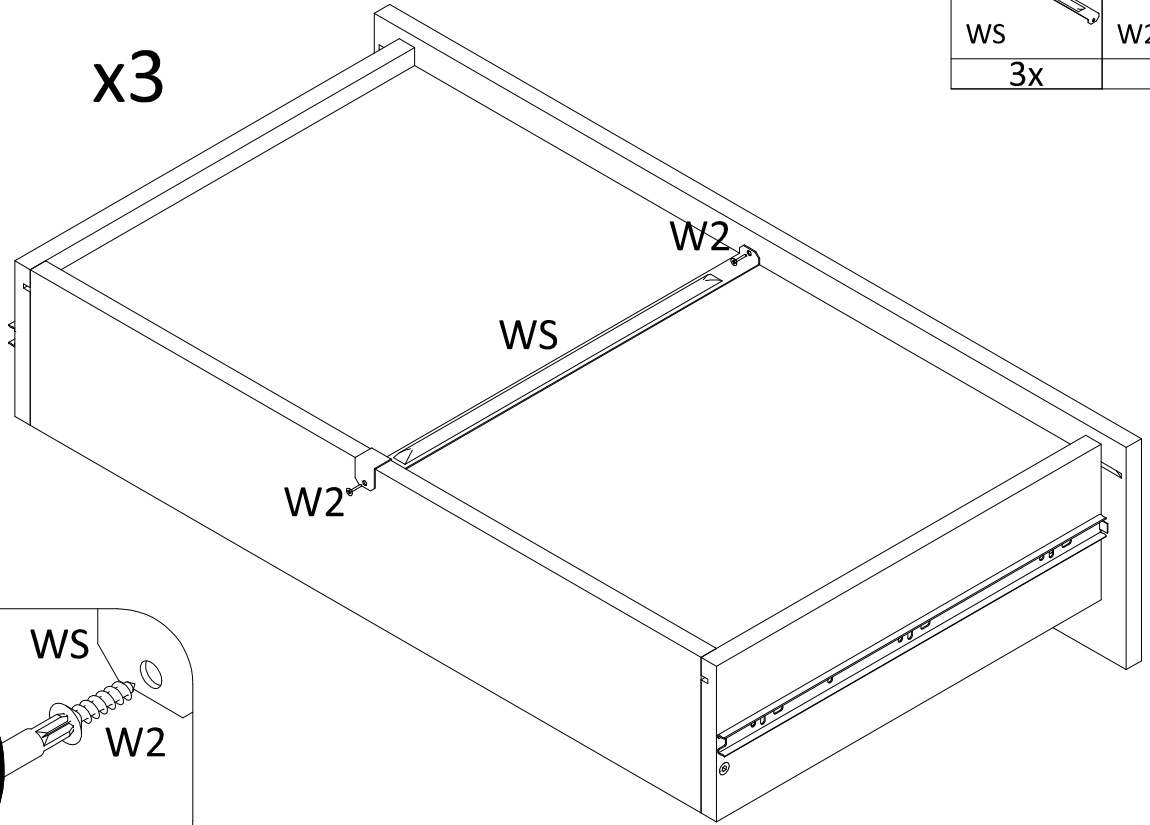
27



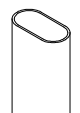
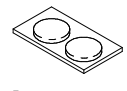


28

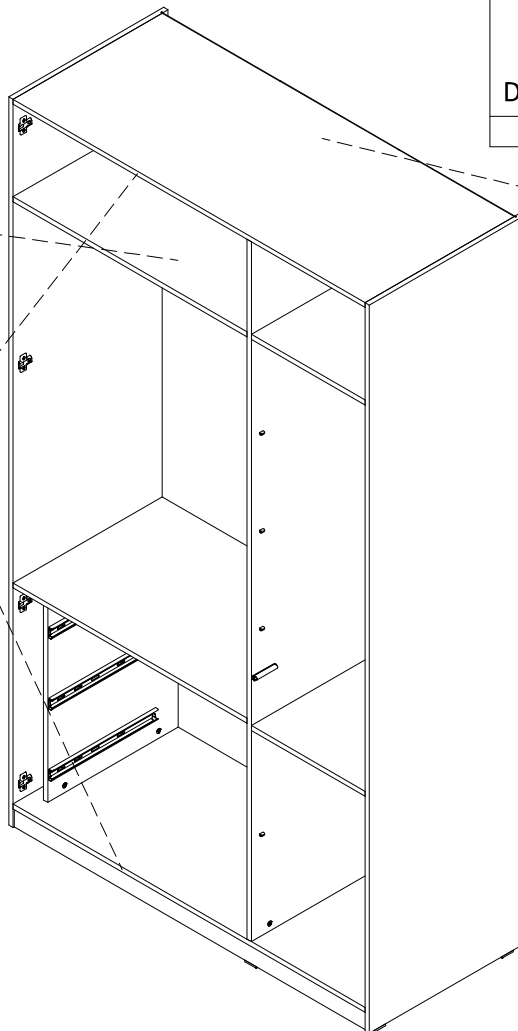
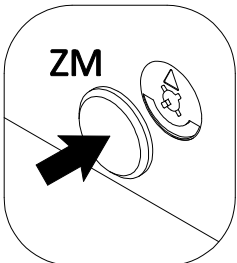
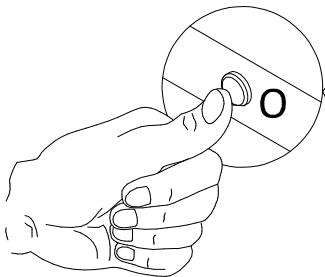
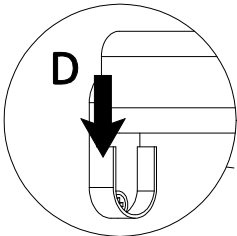
	
WS	W2
3x	6x

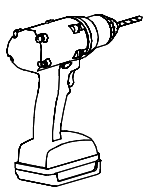
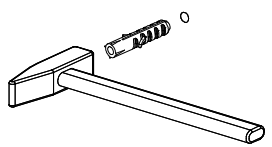
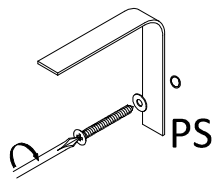
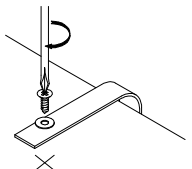
x3



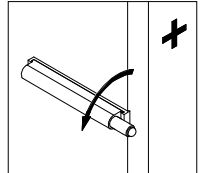
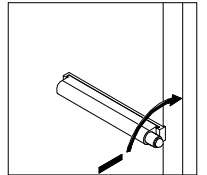
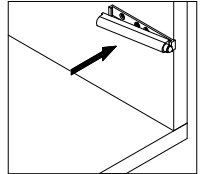
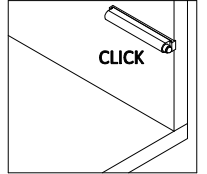
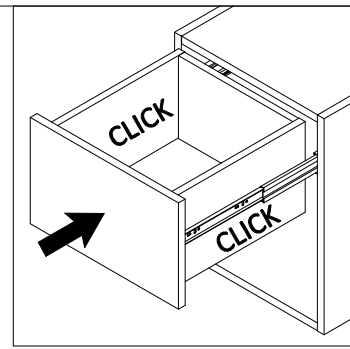
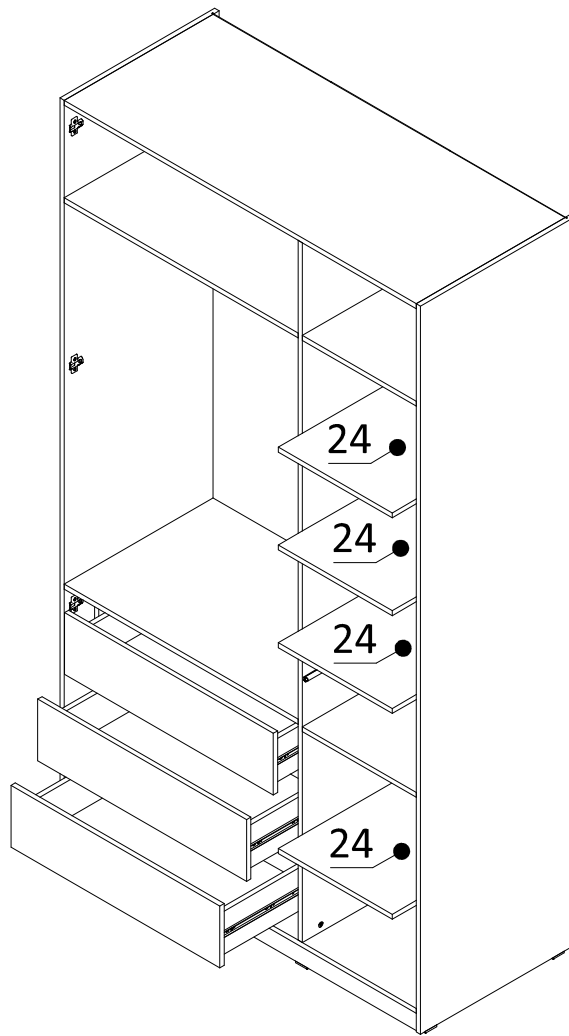
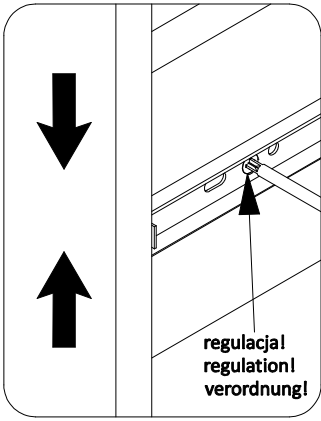
29

			
D	O	ZM	PS
1x	4x	24x	1x



- 1 
- 2 
- 3 
- 4 

30



31

