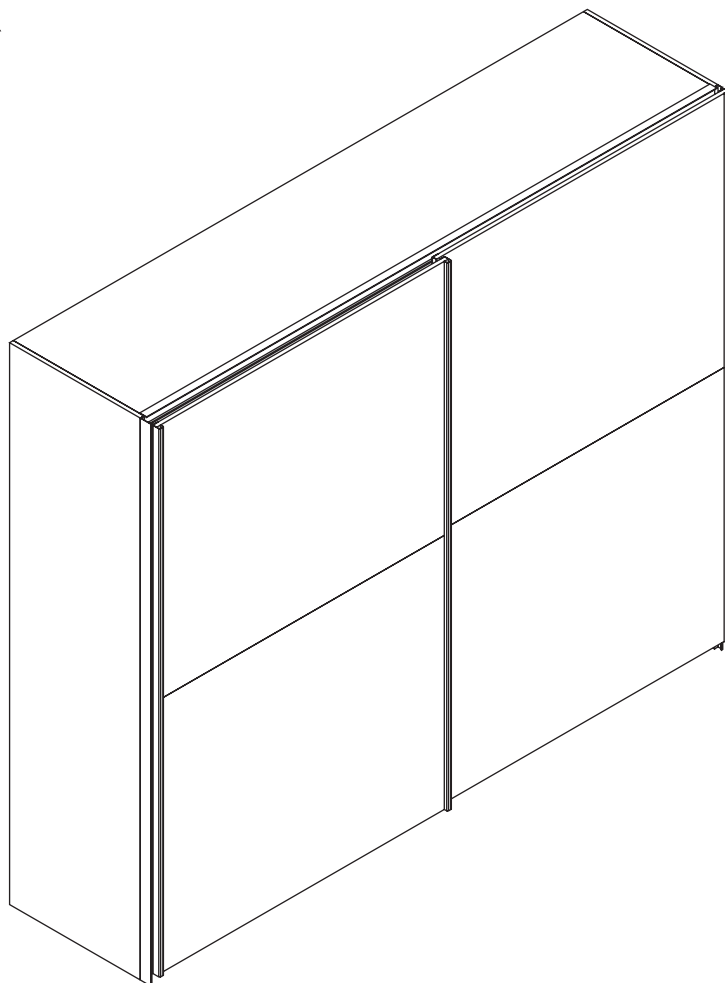
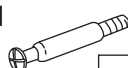






























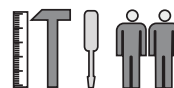


LUX

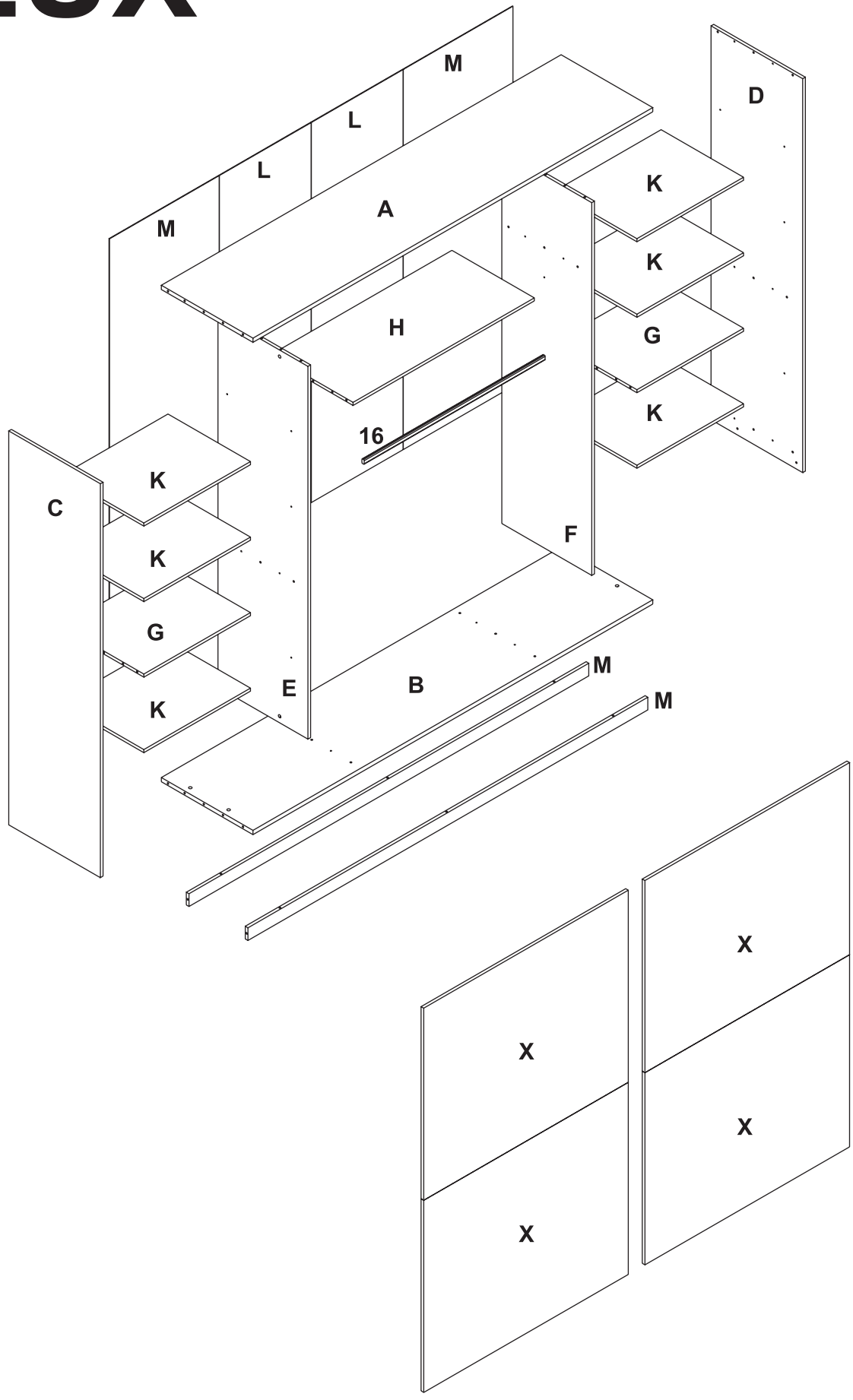


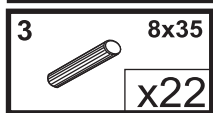
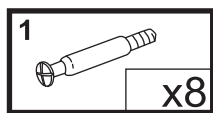
1  x28	2  x28	3 8x35  x52	4  x28	5  x150	6  x2
7  x24	8 3,5x15  x36	9  x1	10 3,5x30  x4	11 3x25  x12	12 4x15  x33
13 3x16  x13	14 4x15  x9	16  x1	17  x8		
15 4x14  x2	18  x2	19  x2	20  x2	21  x2	22  x2
23  x1	24  x2	25 L=2400  x1	26 L=2400  x1	27 L=2050  x1	28 L=2050  x1
29 L=2000  x3	30 L=2000  x1	31  x3			

Czas mont. - 180 min.

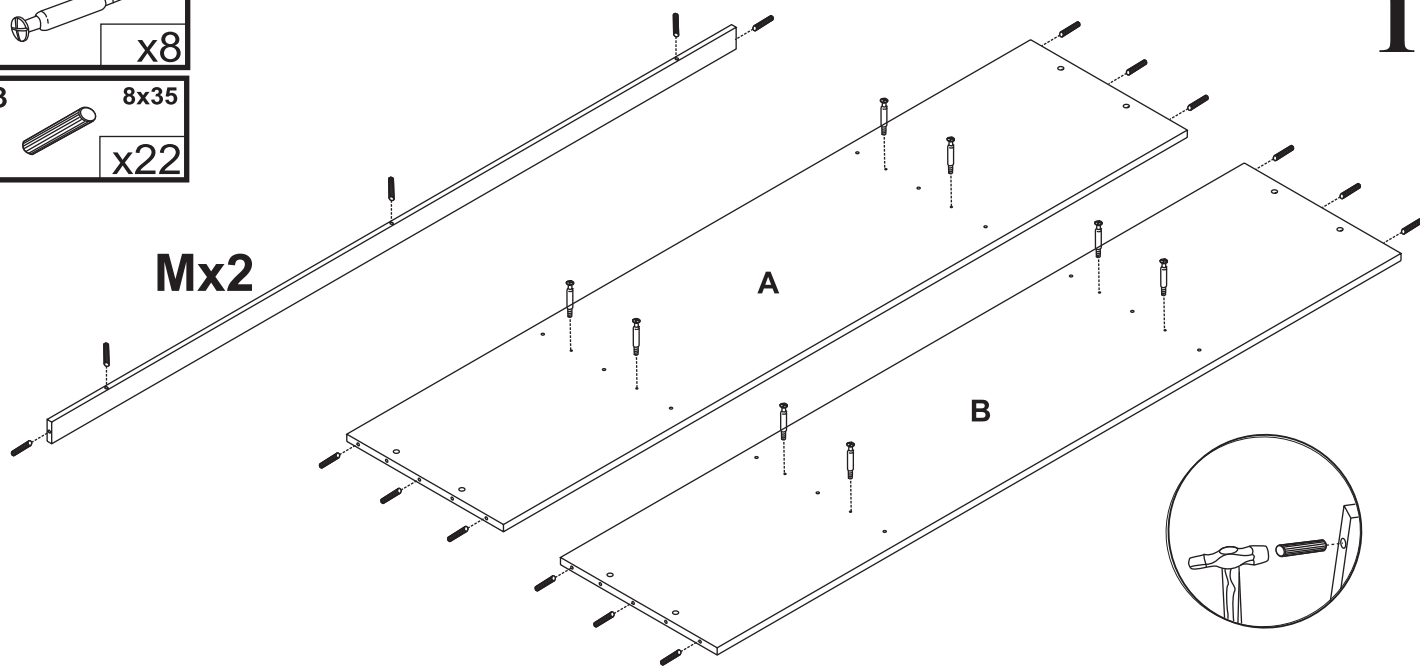


LUX





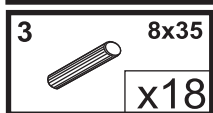
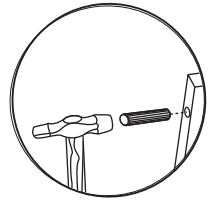
1



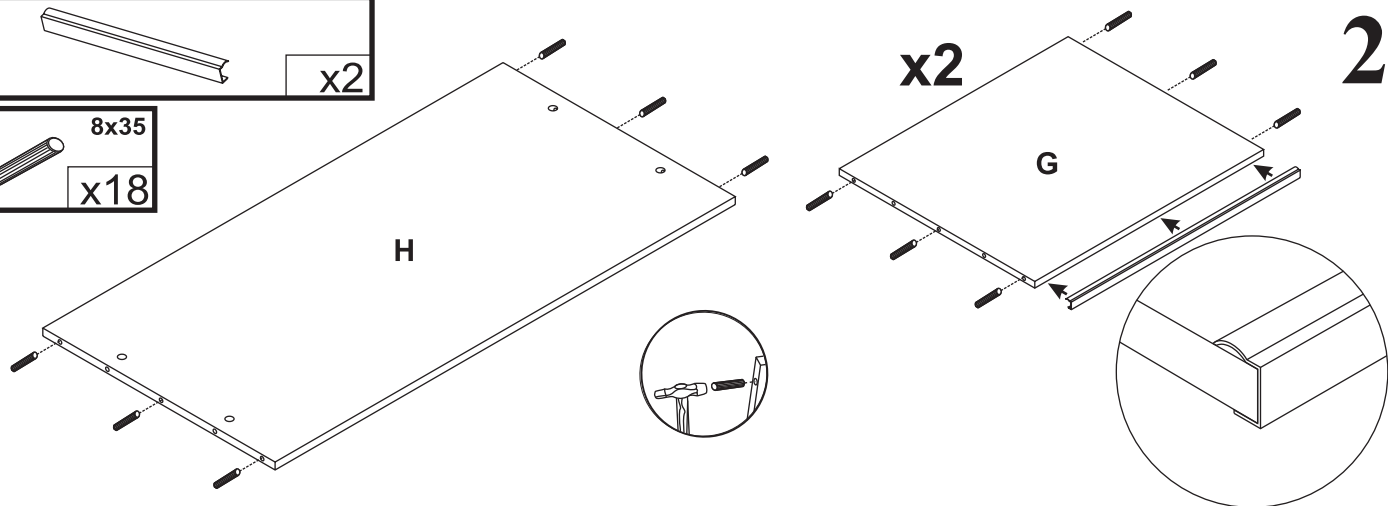
Mx2

A

B



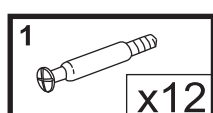
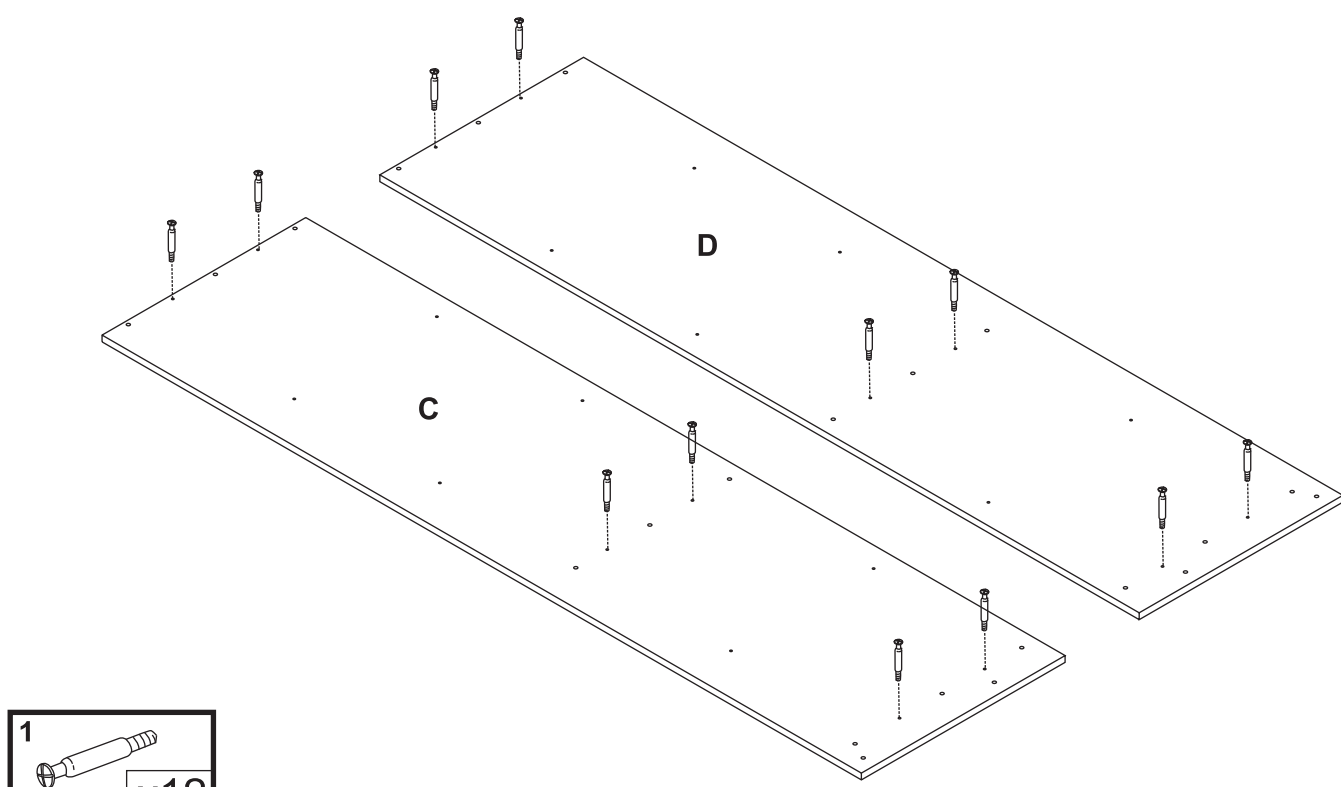
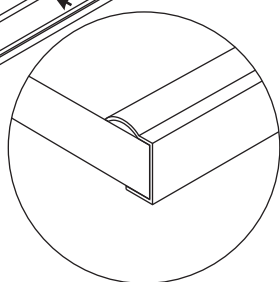
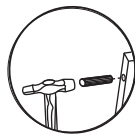
2



x2

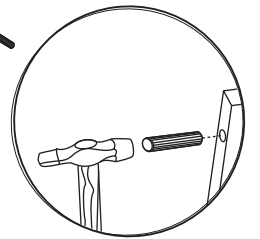
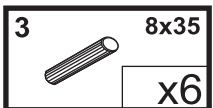
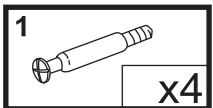
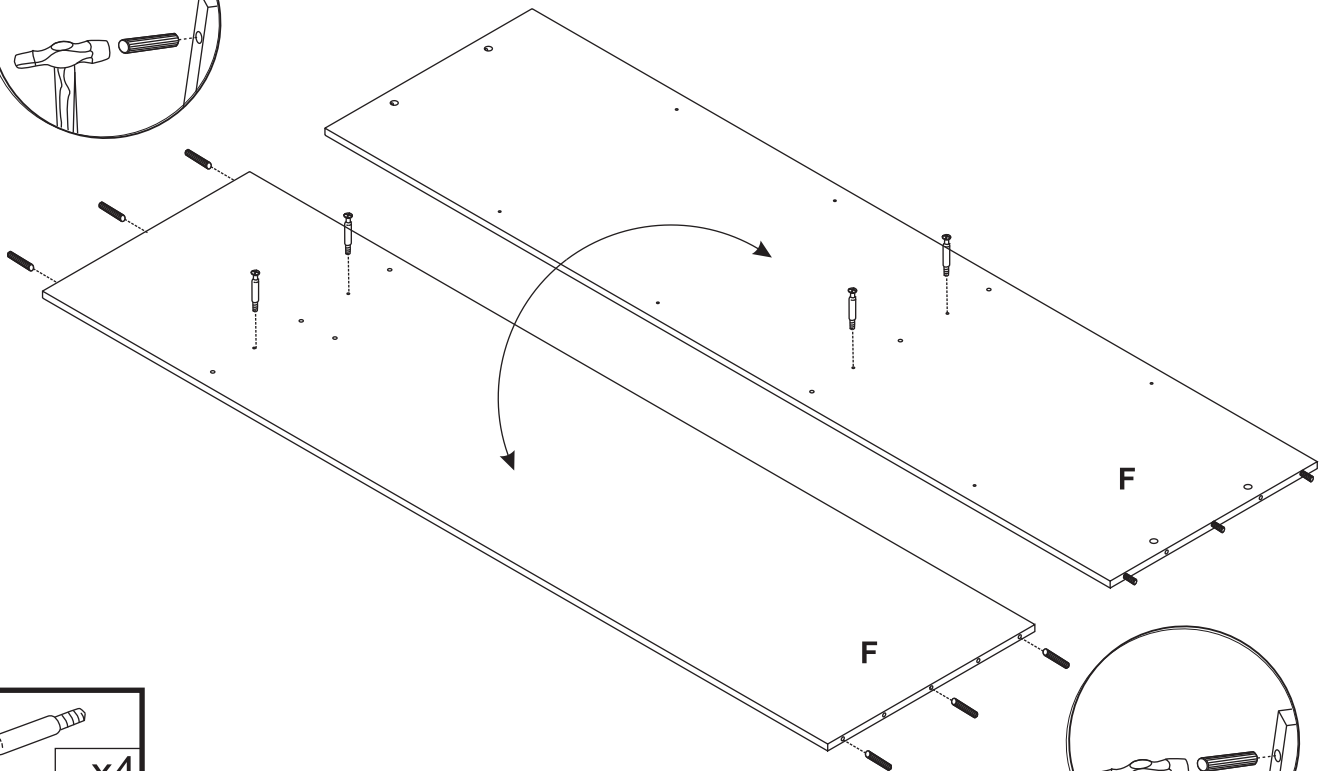
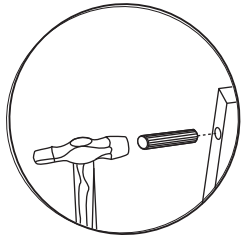
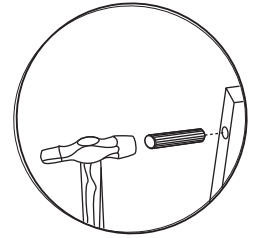
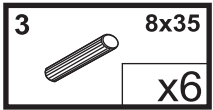
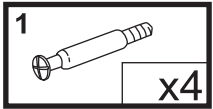
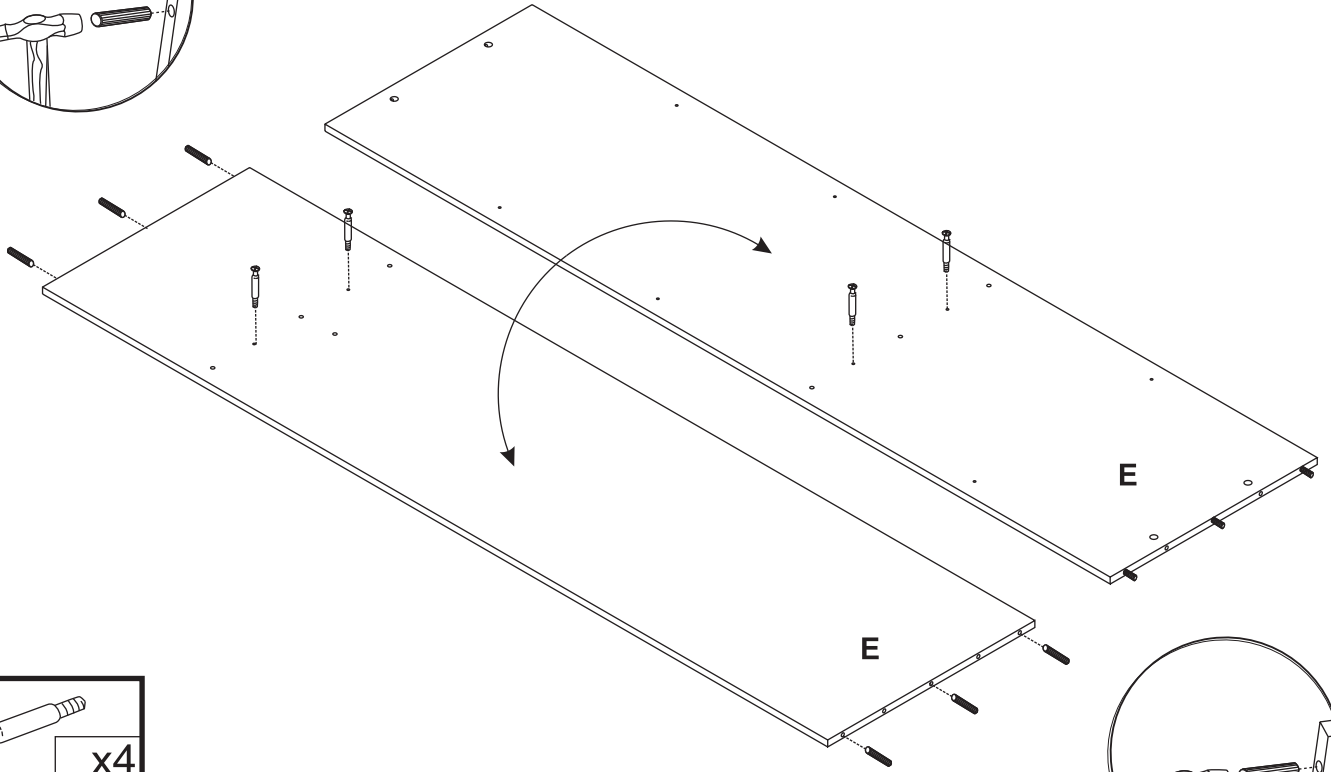
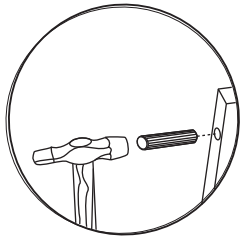
H

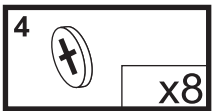
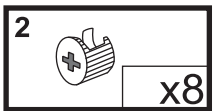
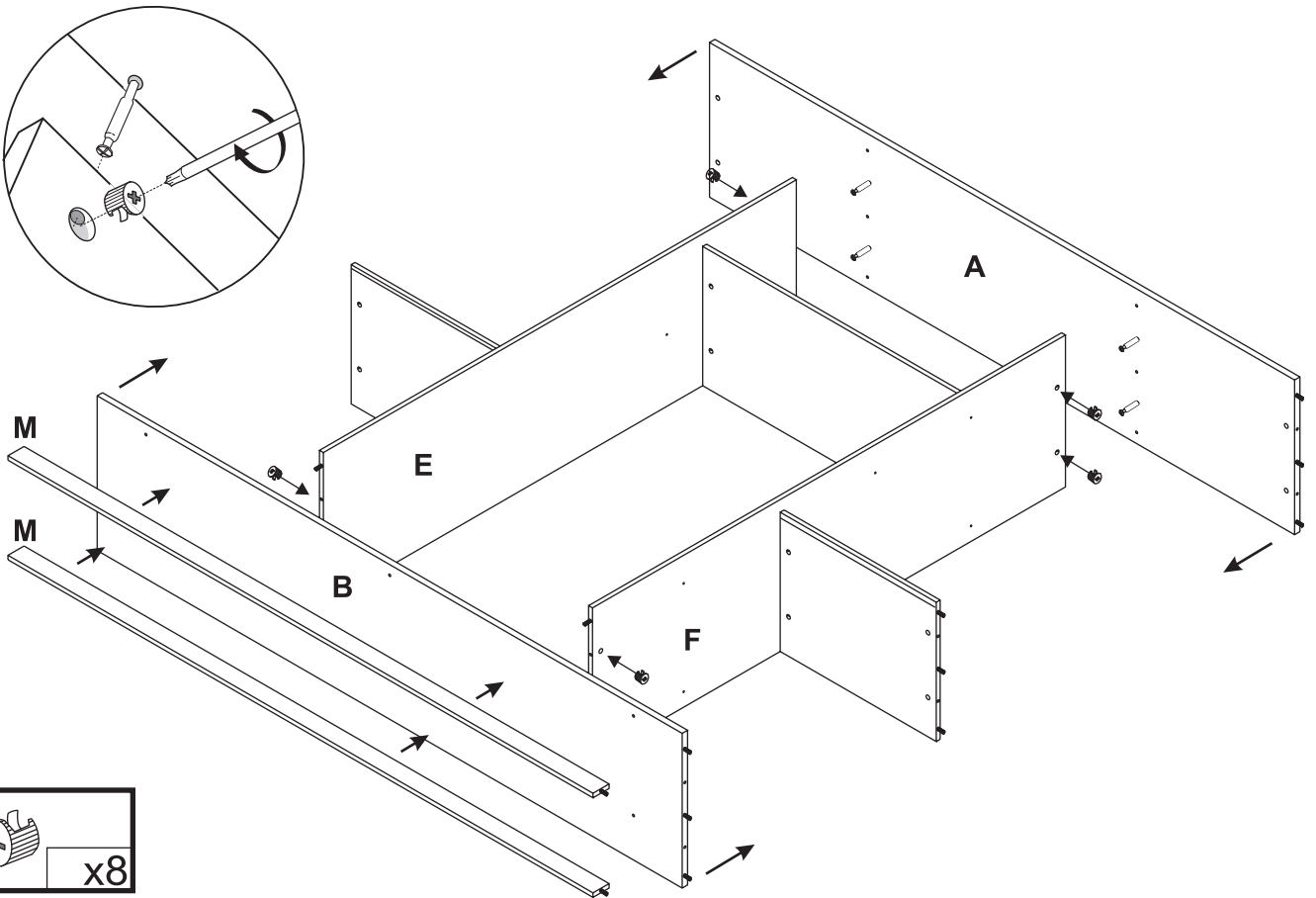
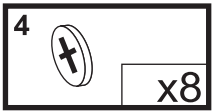
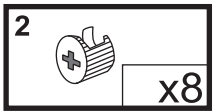
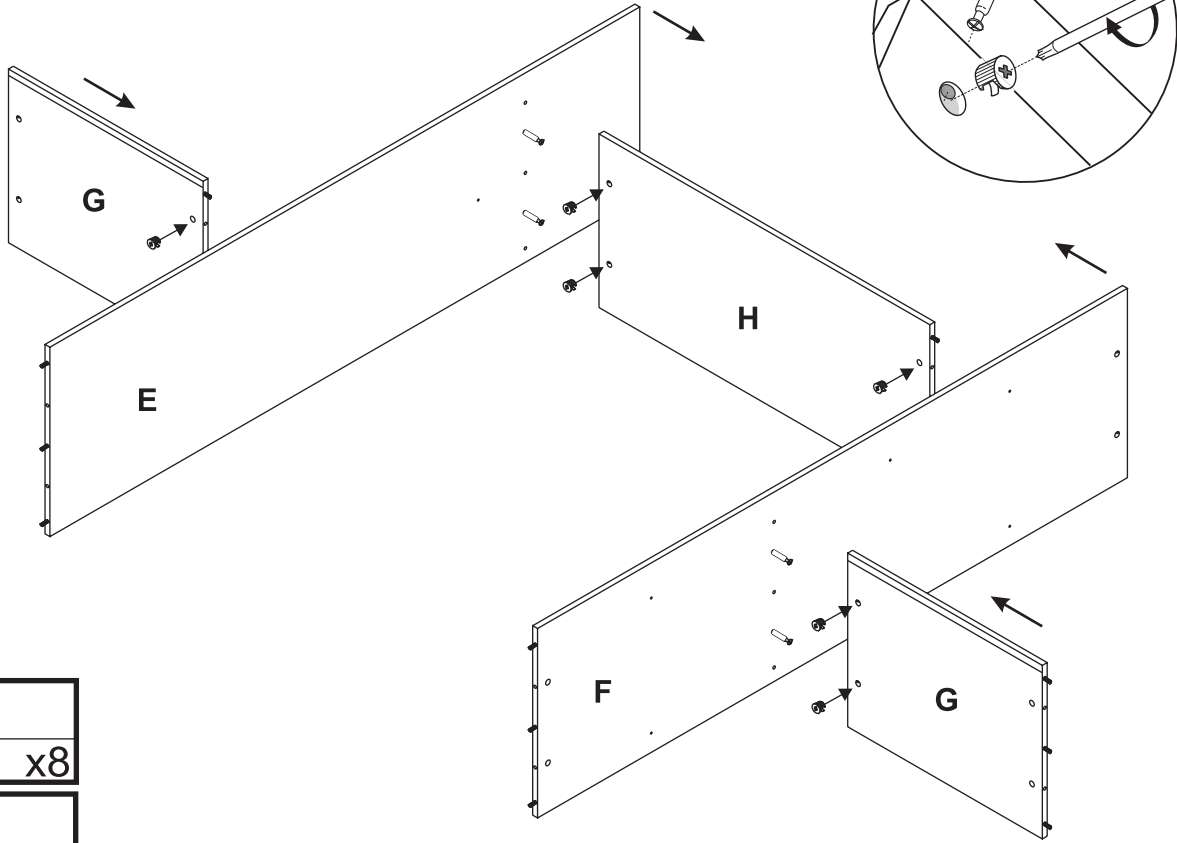
G



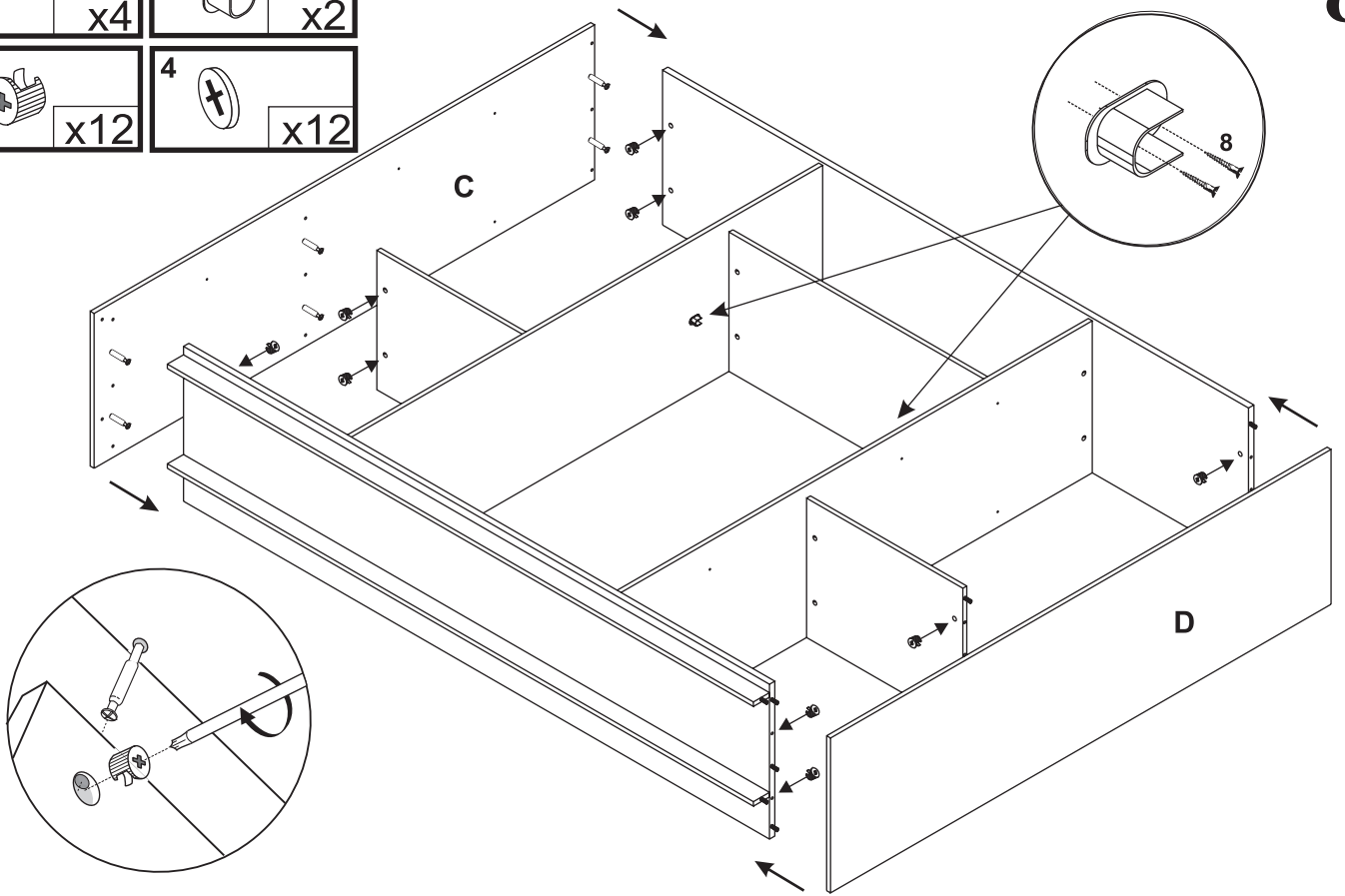
3

x12

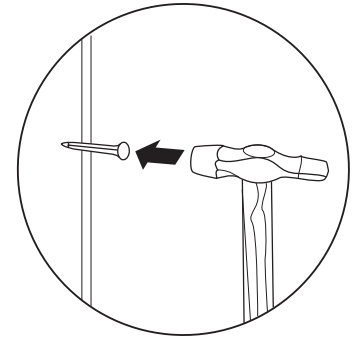
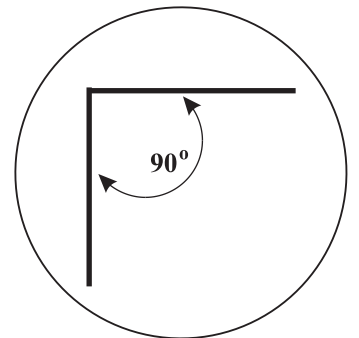
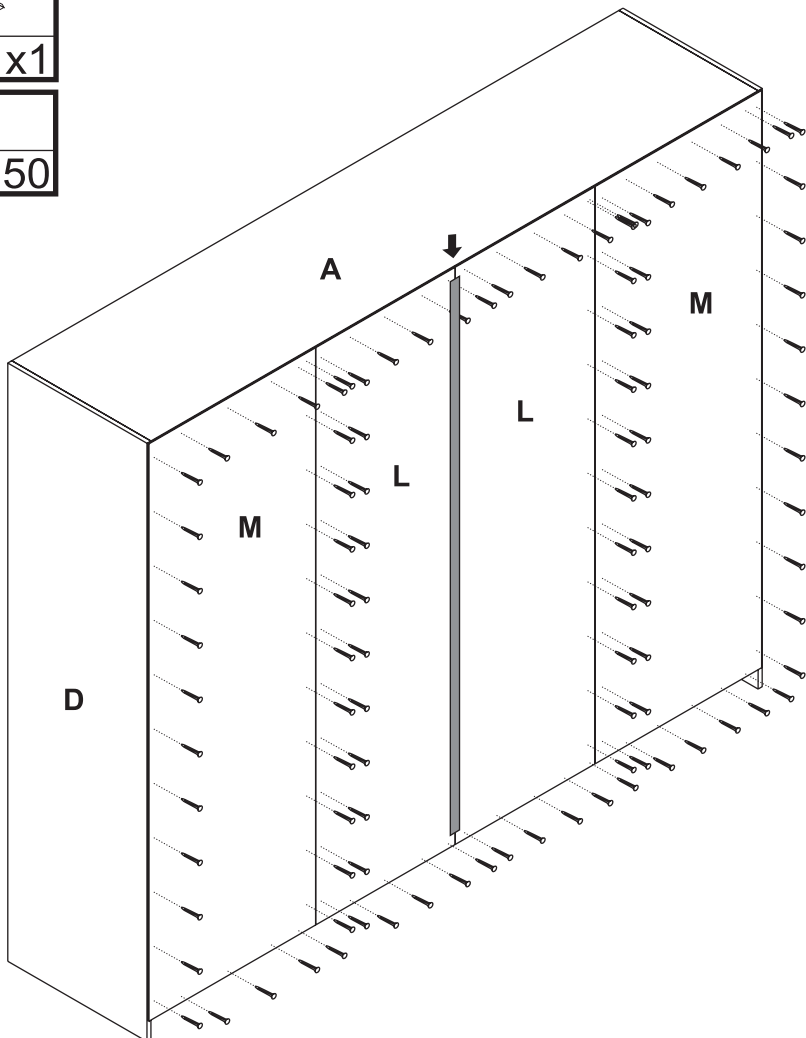


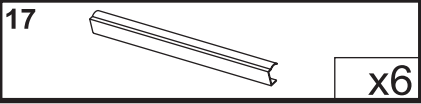


- 8 3,5x15 x4
- 6 x2
- 2 x12
- 4 x12

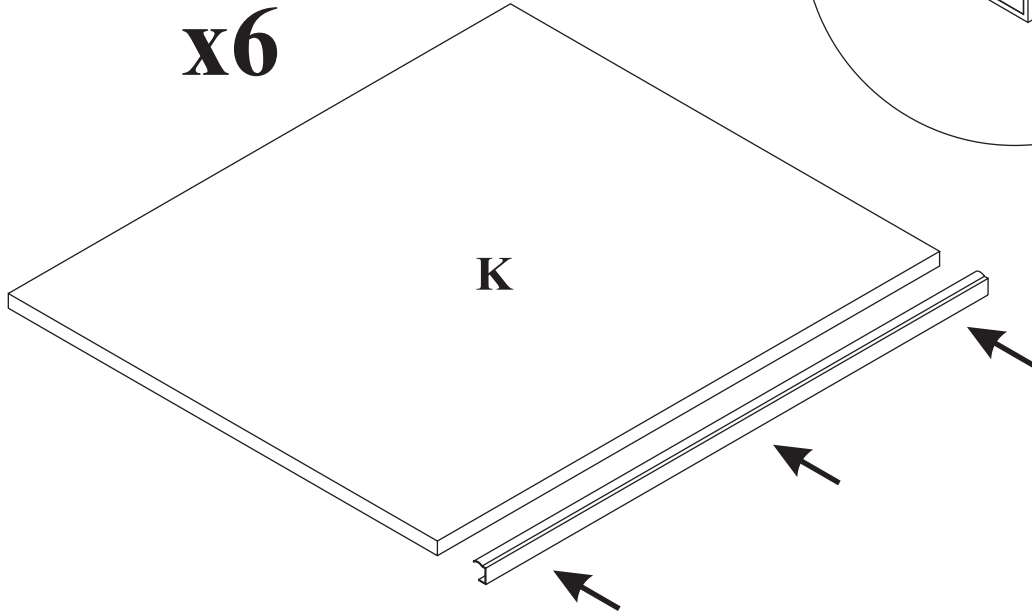


- 9 x1
- 5 x150



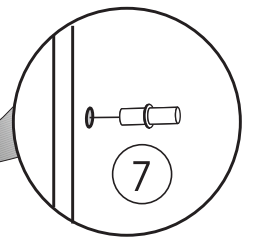
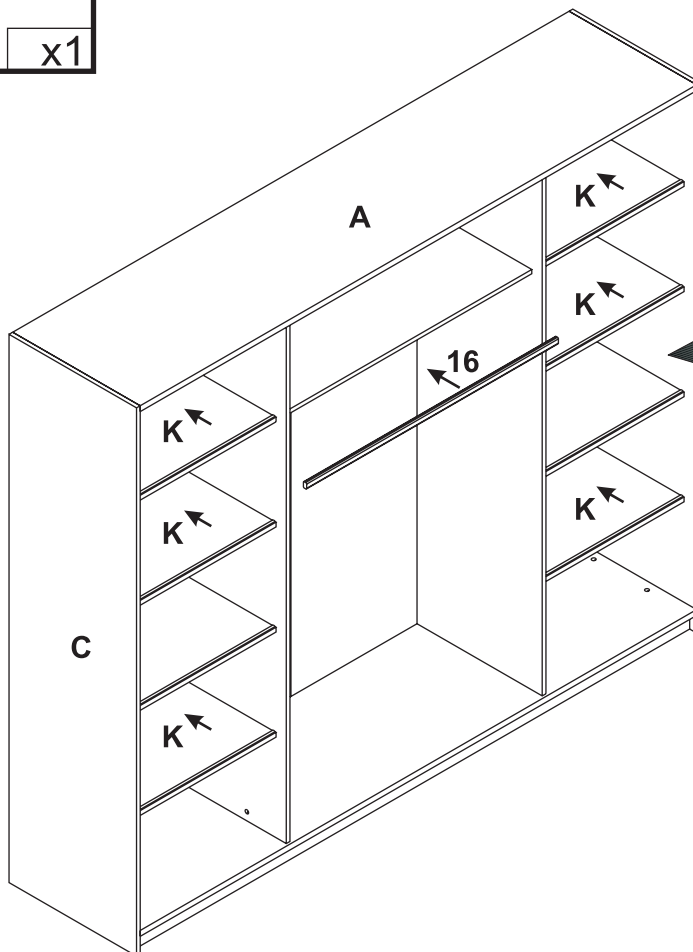
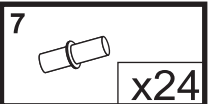


10

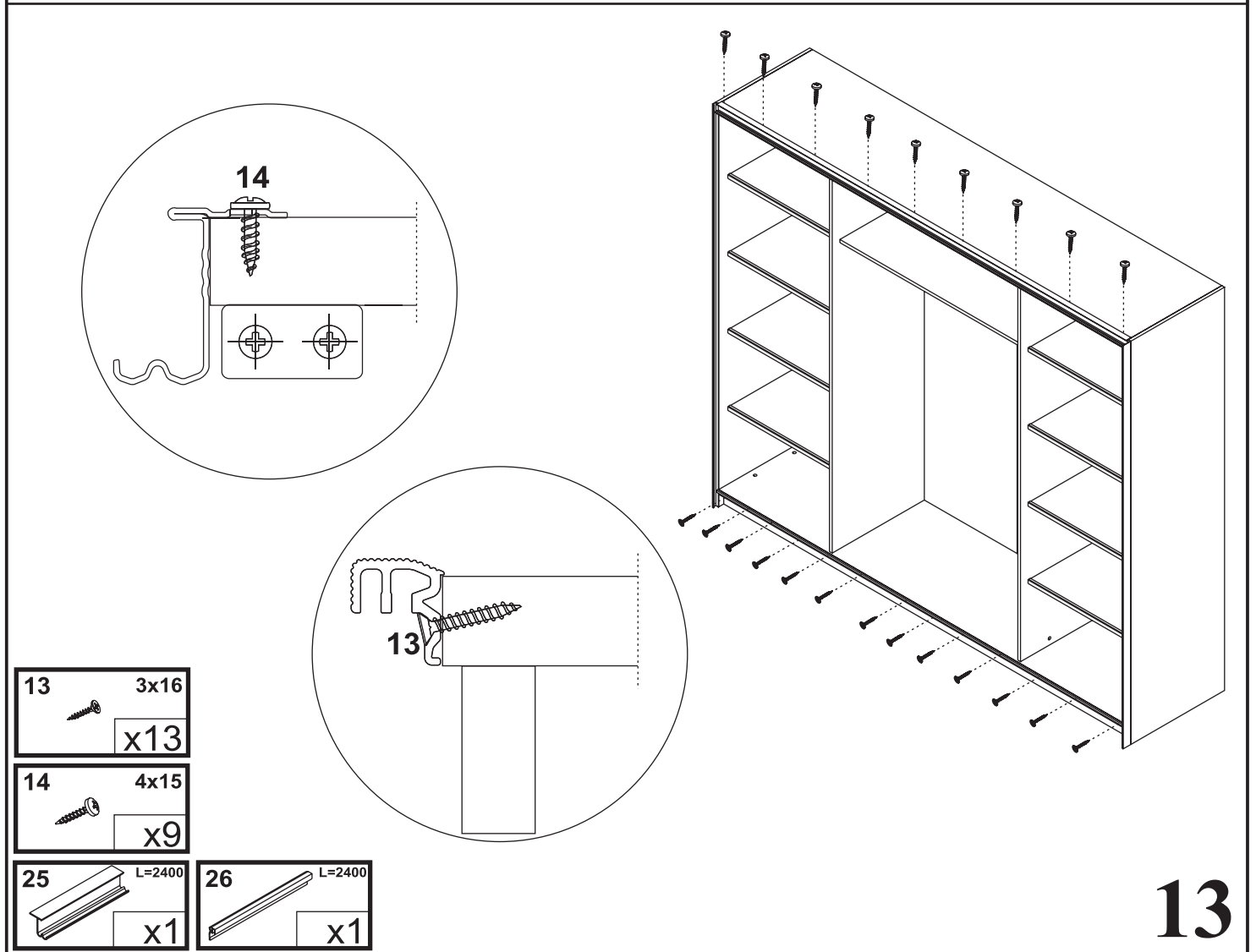
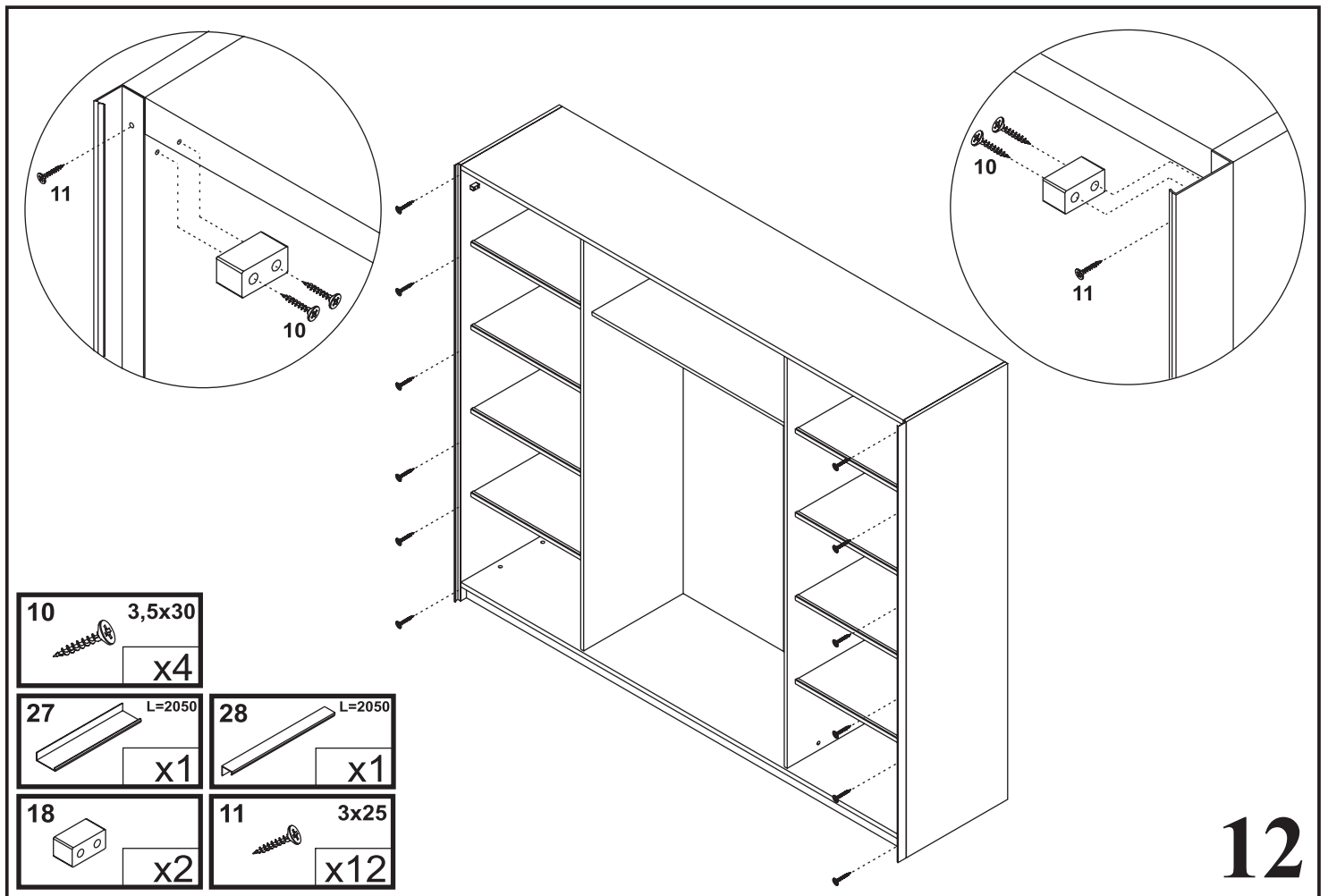


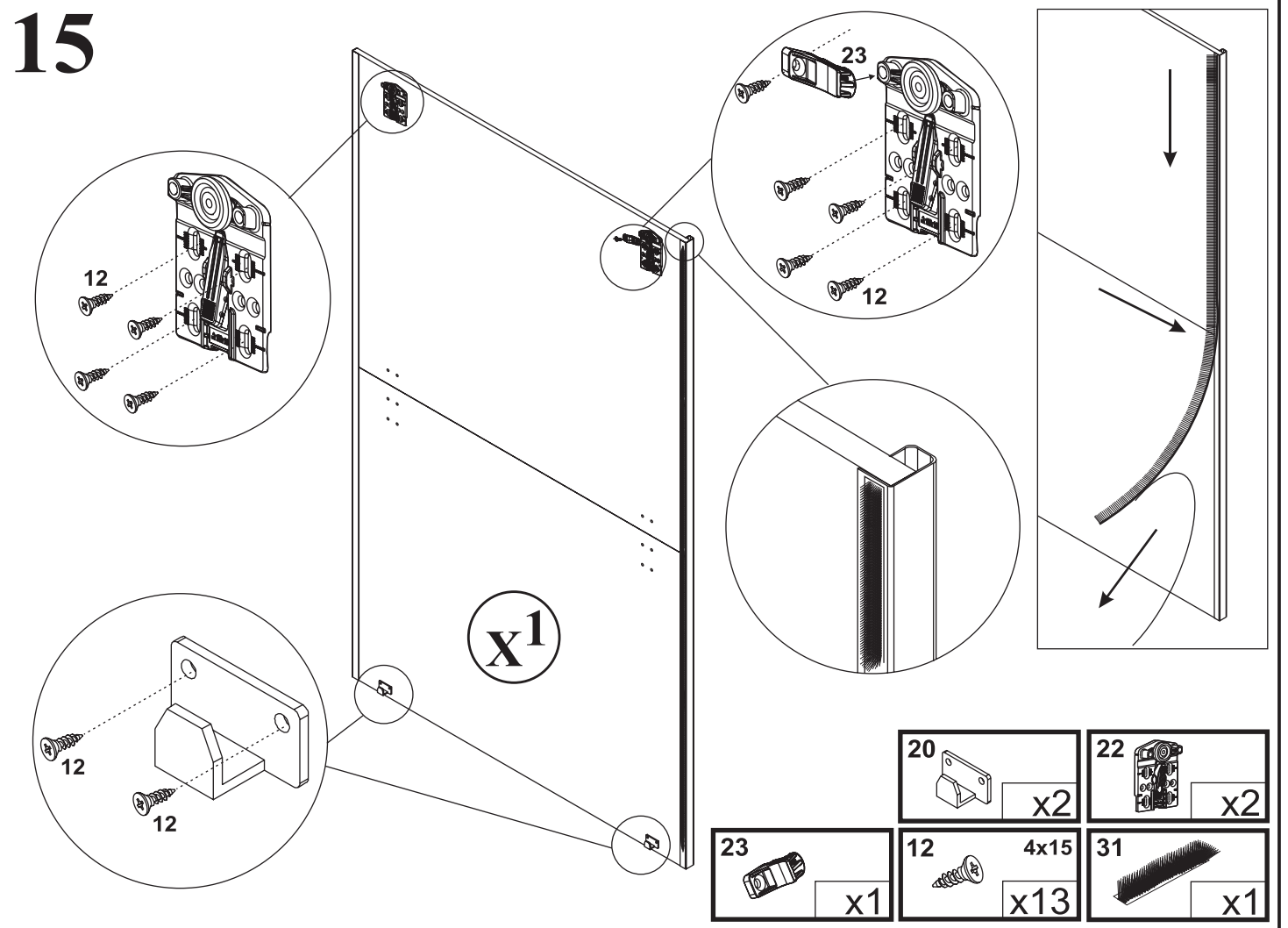
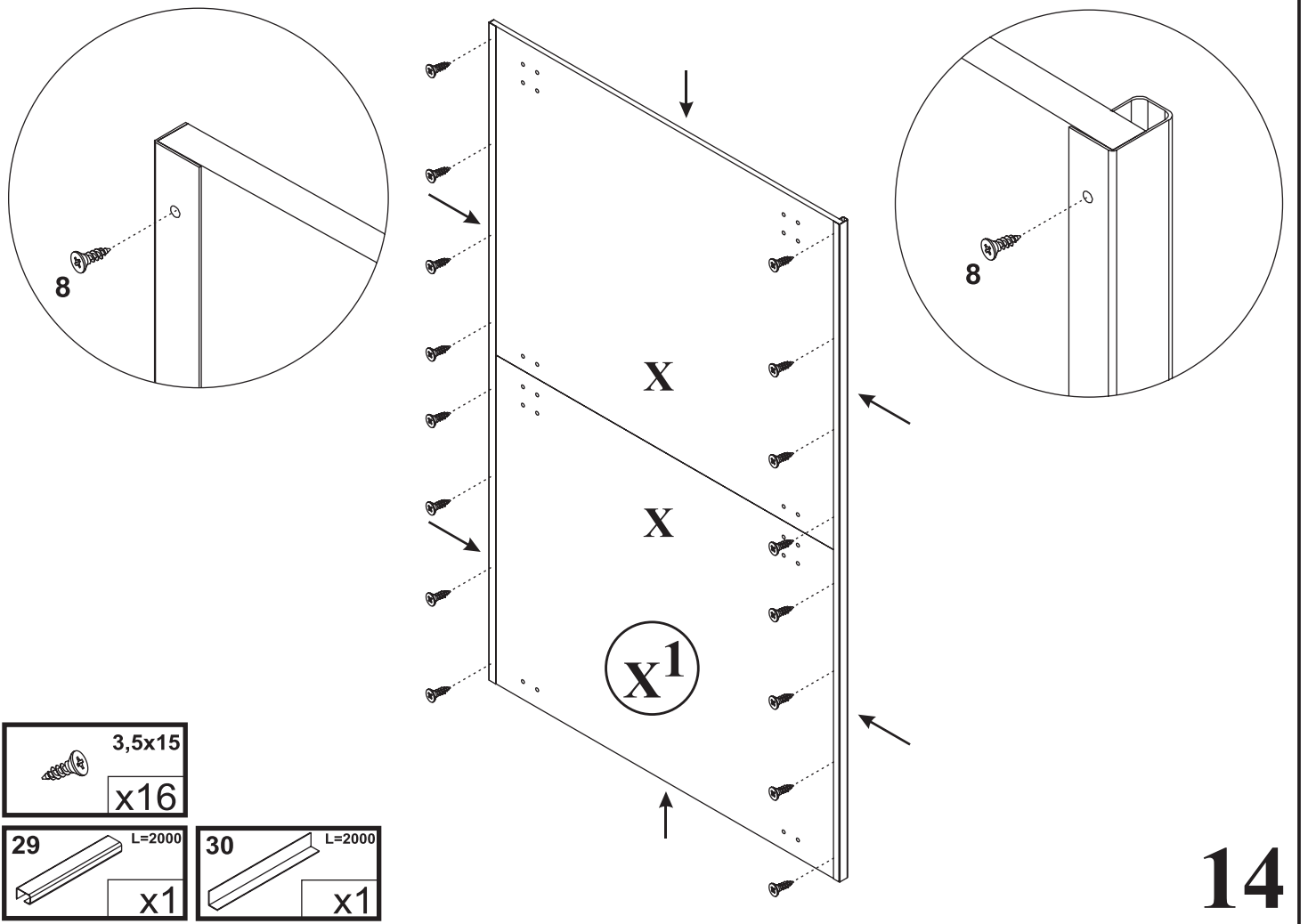
x6

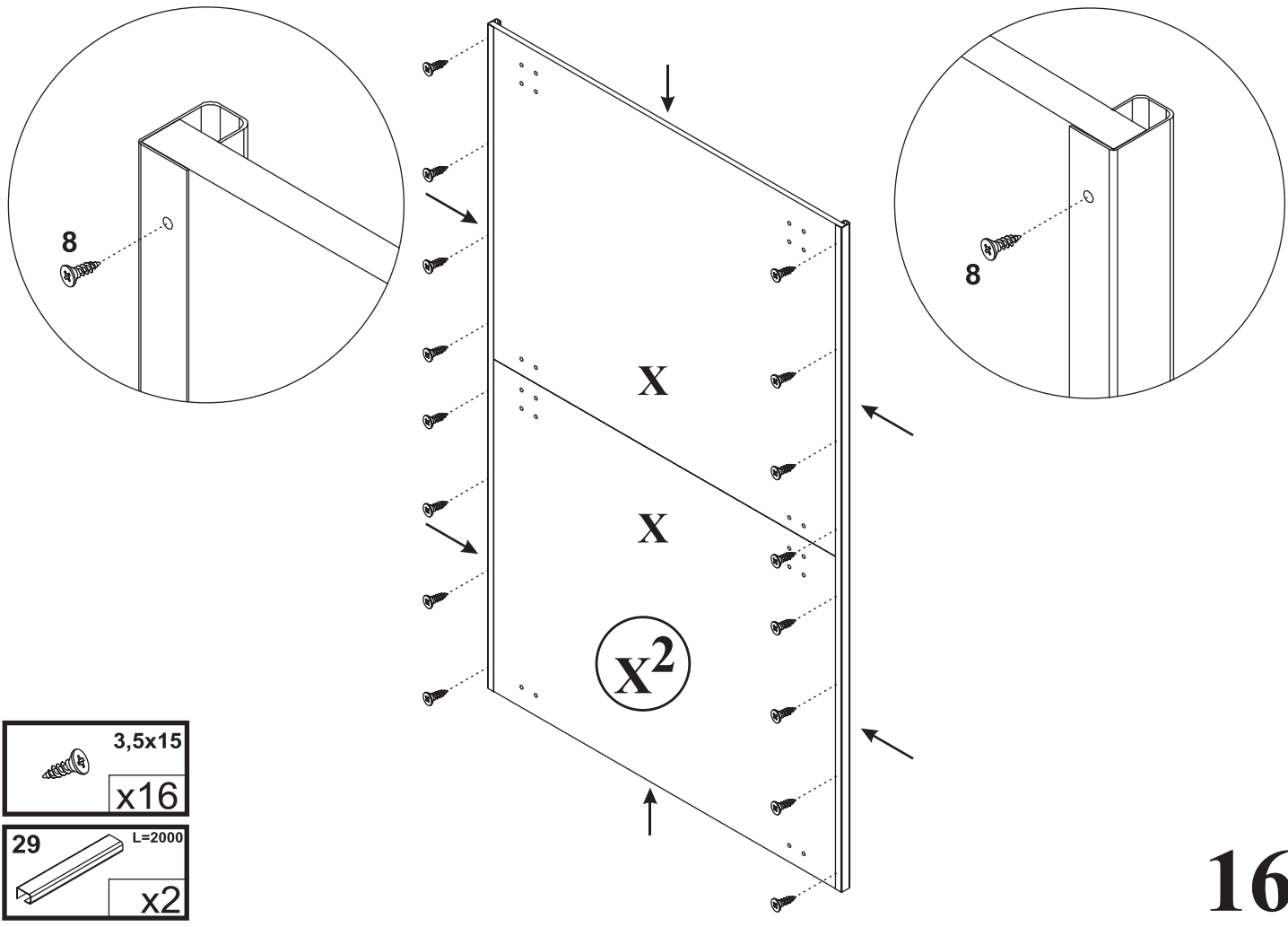
K



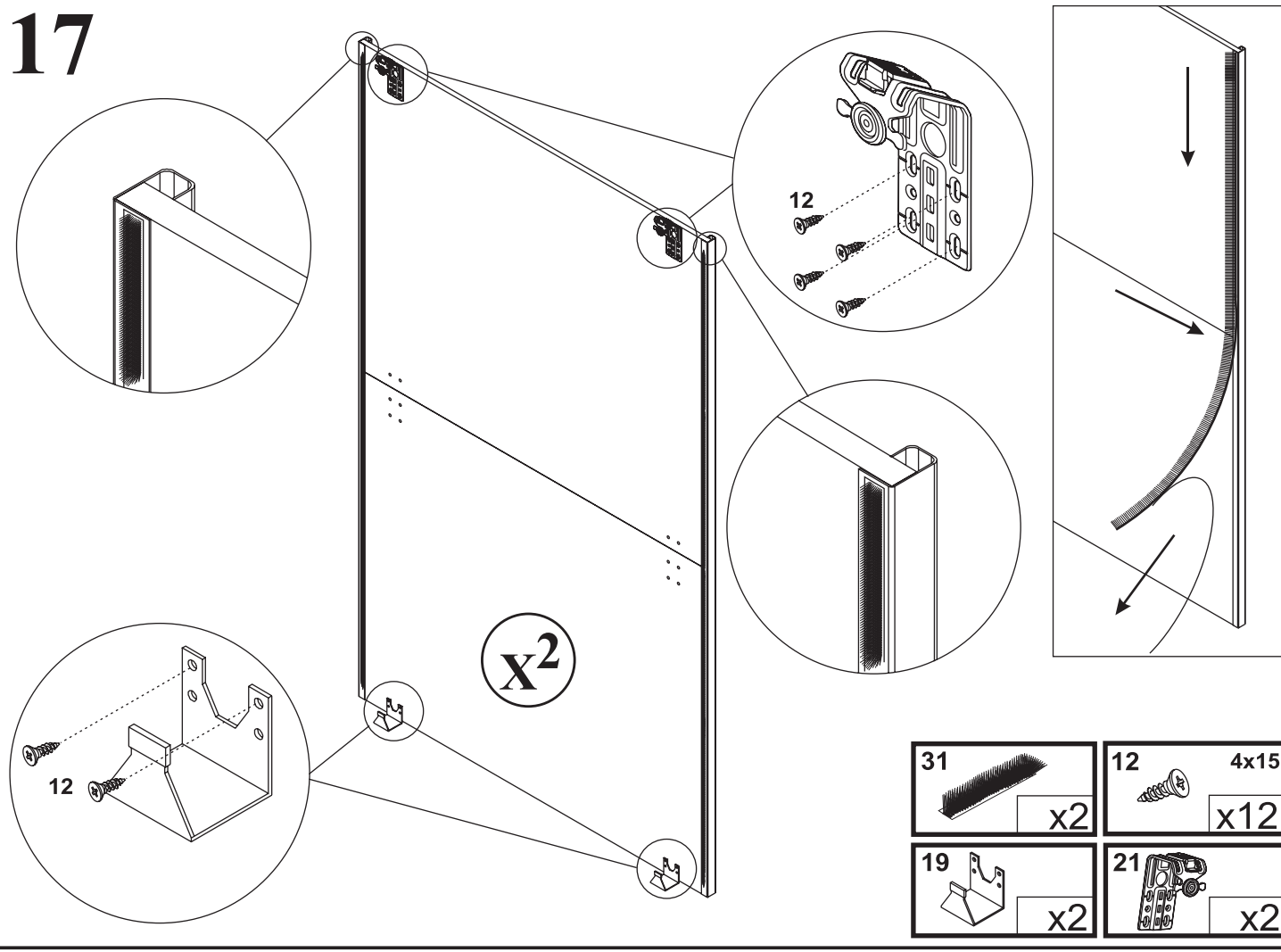
11



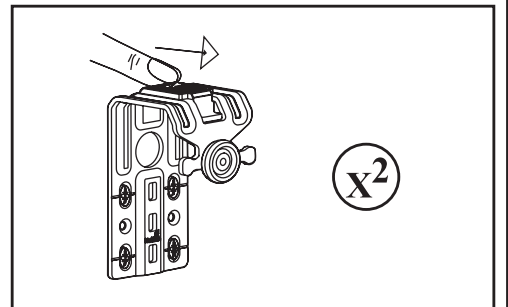
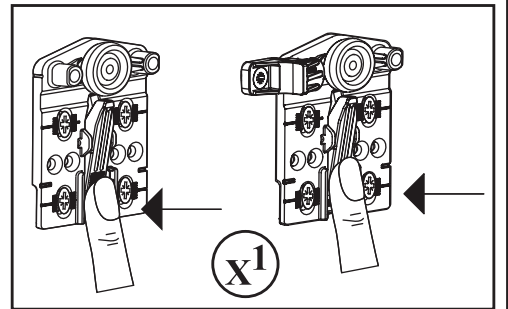
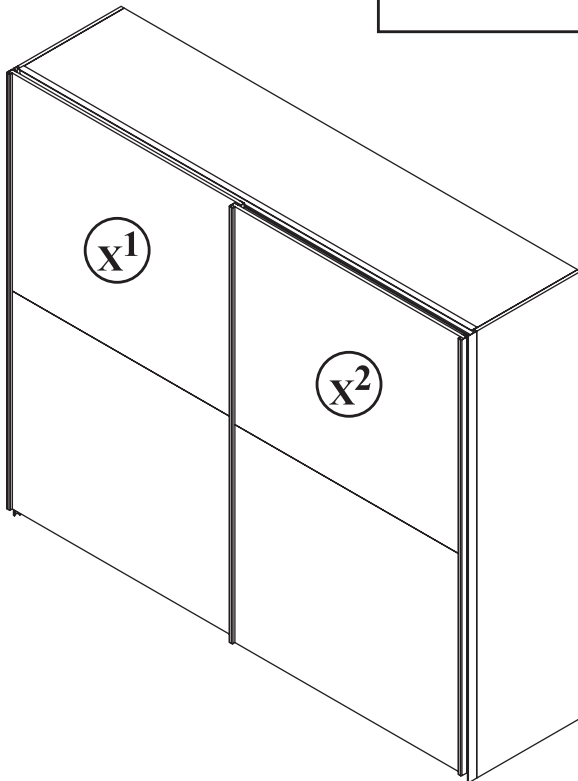
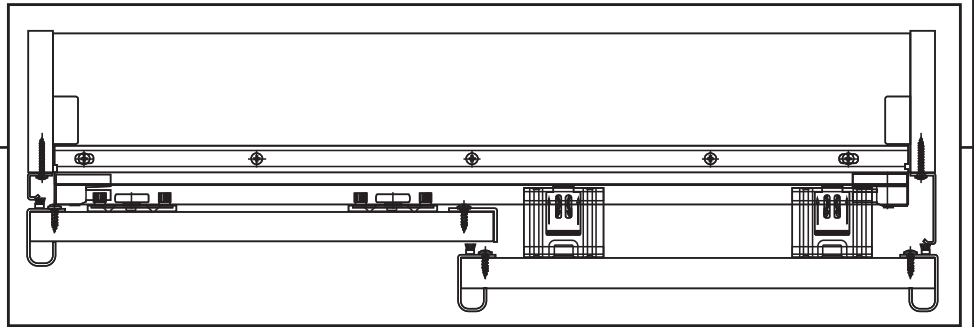
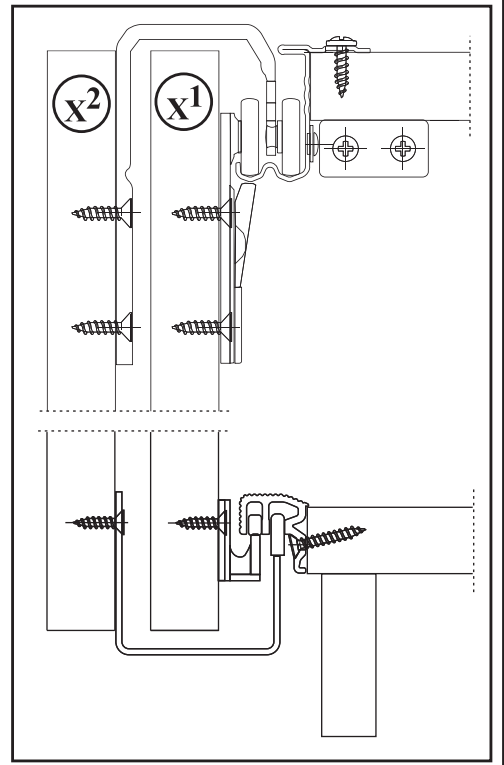
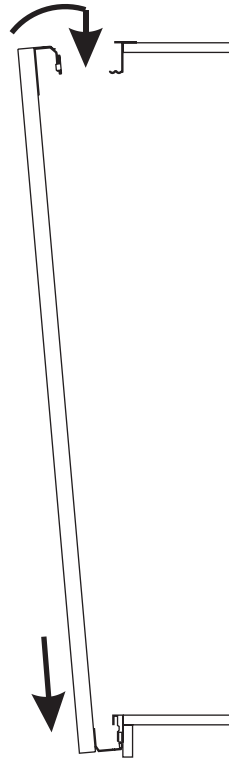
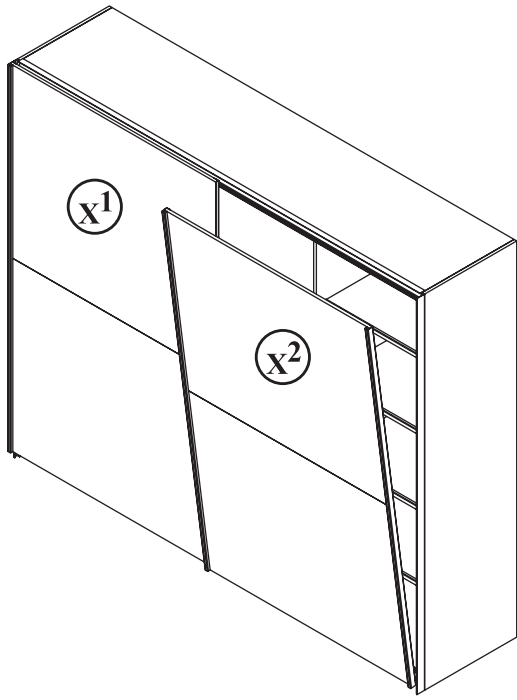




16

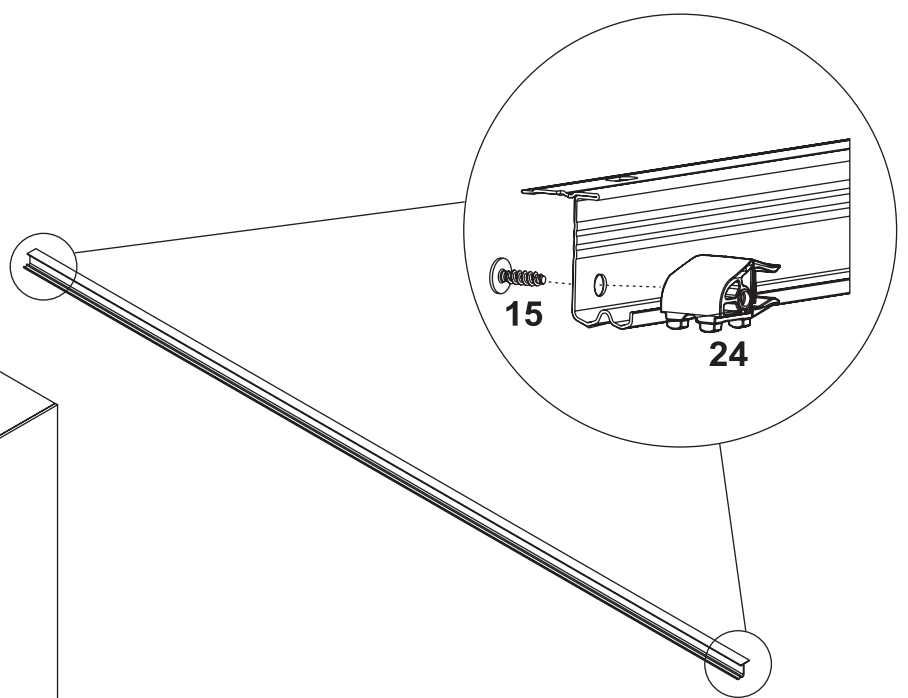
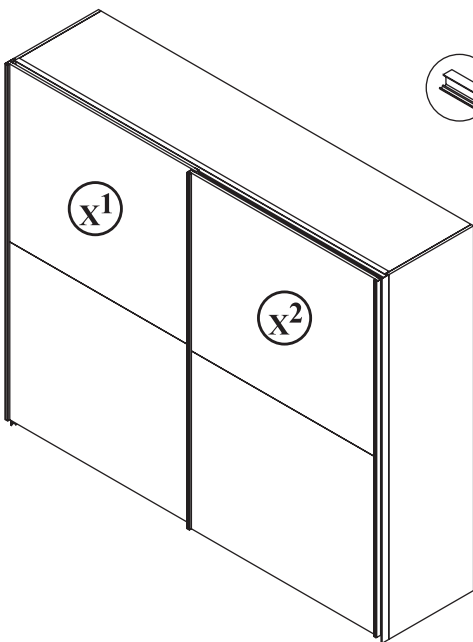
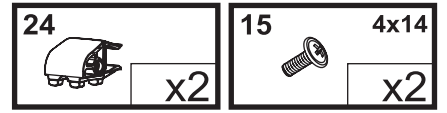
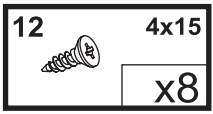
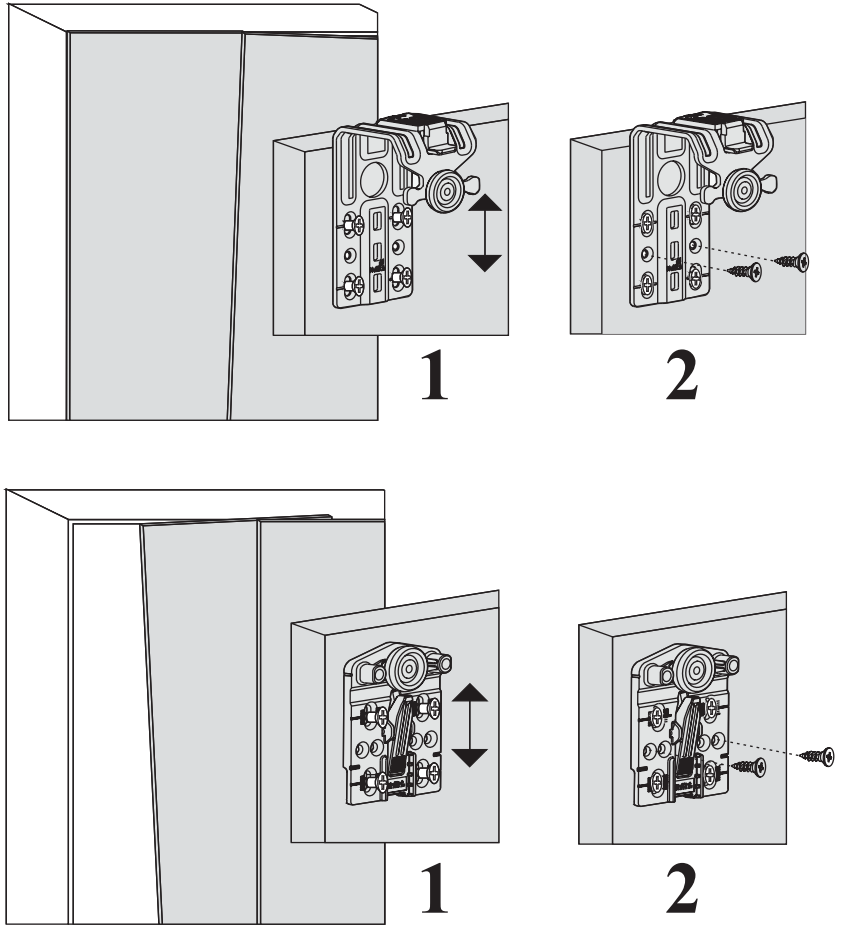
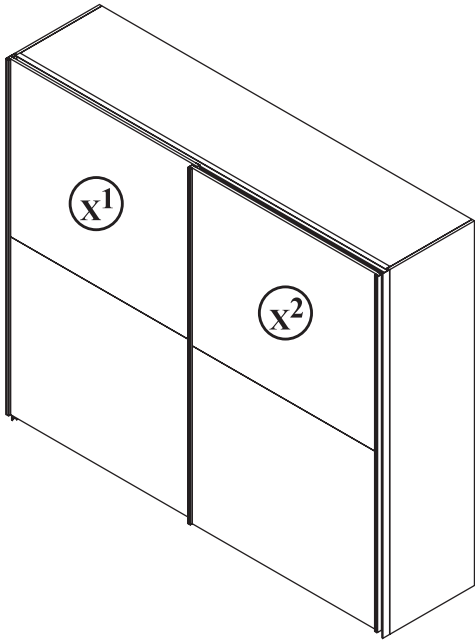


18



19

20



21