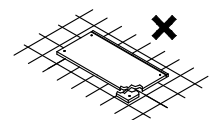
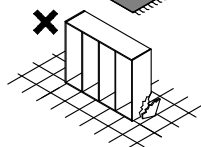
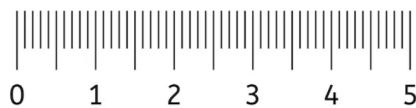
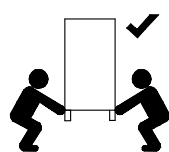
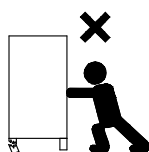
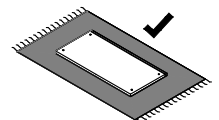
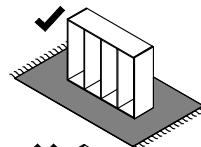
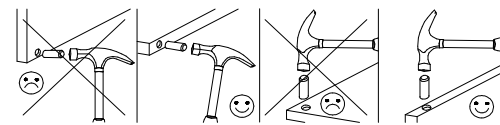
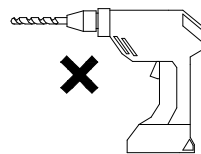
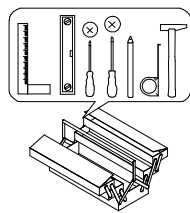
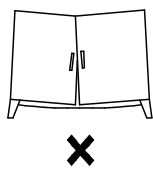
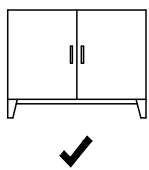
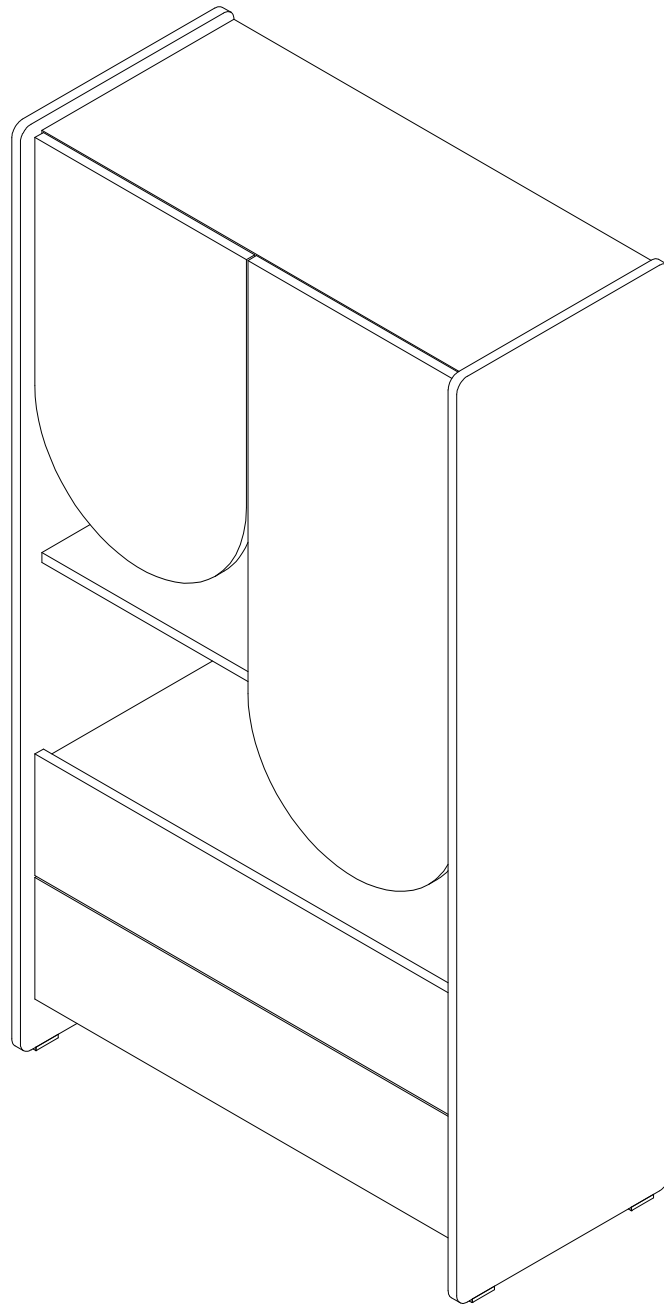
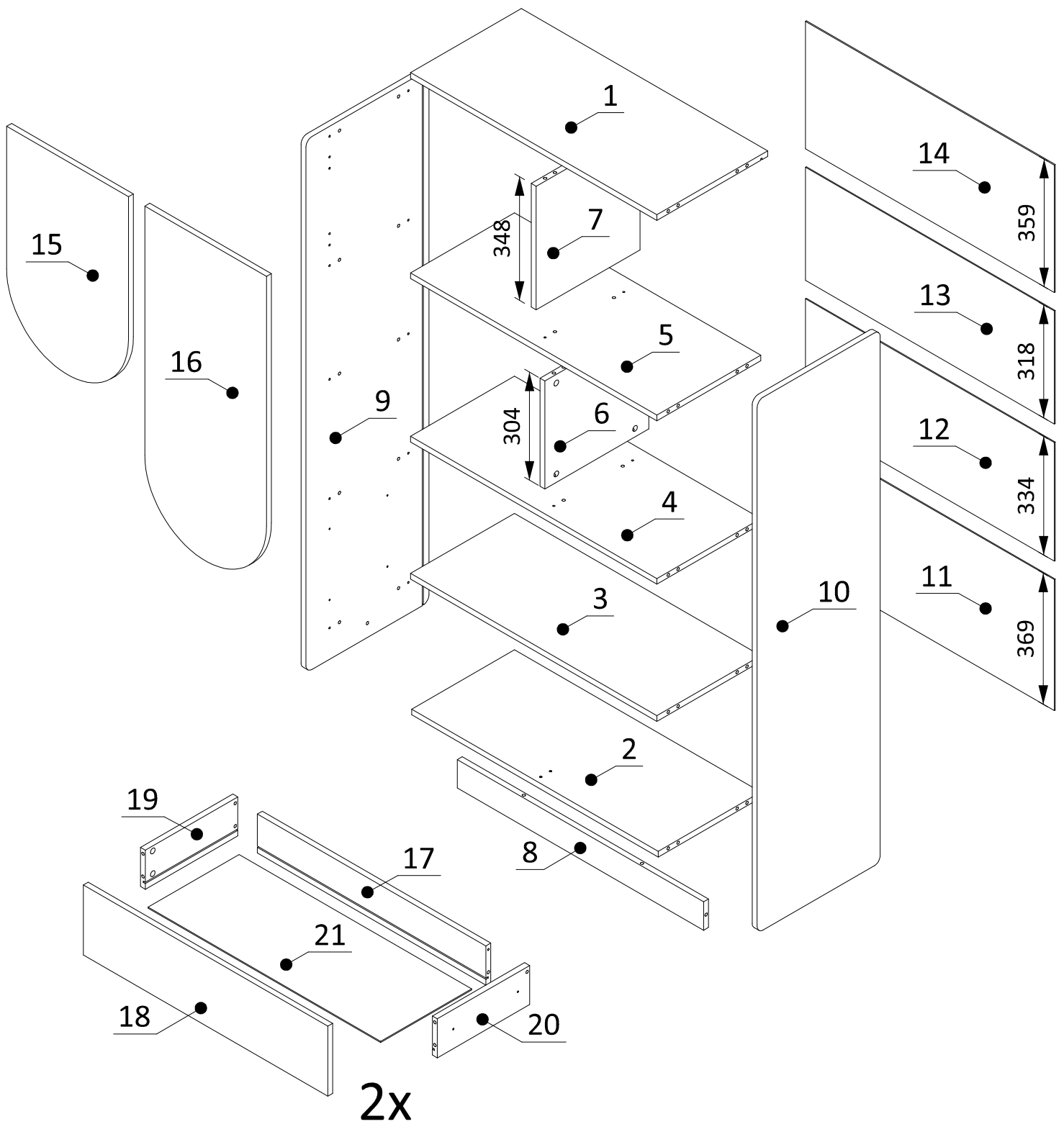


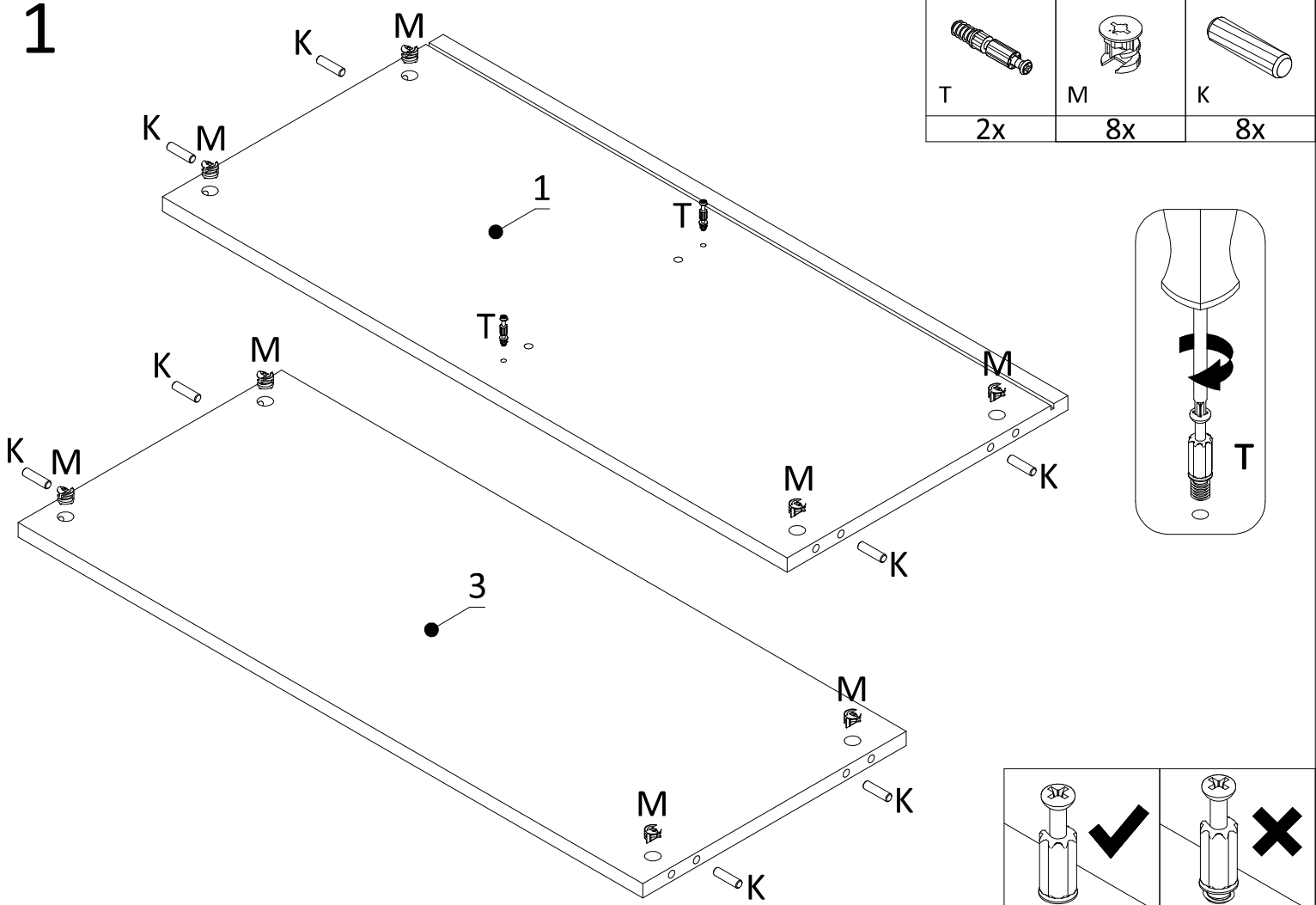
LEXI R-6



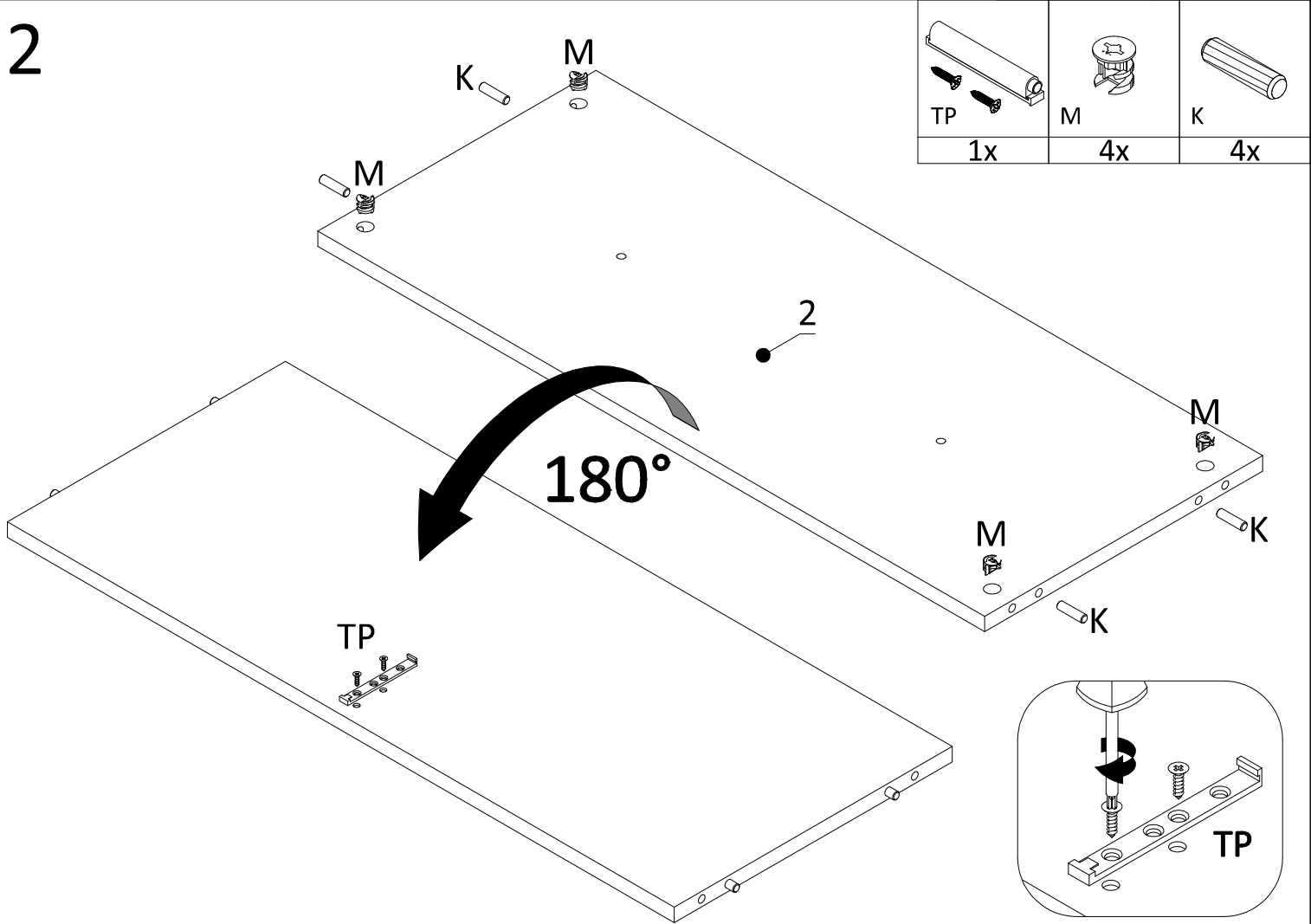


5x13 E1 16x	3x16 W2 28x	4x16 W4 8x	7x50 KF 4x	15/12 M 36x	L20,3 T 36x	8x30 K 36x	TP 1x	2x PK-0H35-300	
PZ 4x	Z2 4x	SW4 KL 1x	ZM 36x	L300 WS 2x	SL 5x	2x20 G 9x	PM 24x	S 10x	PS 1x

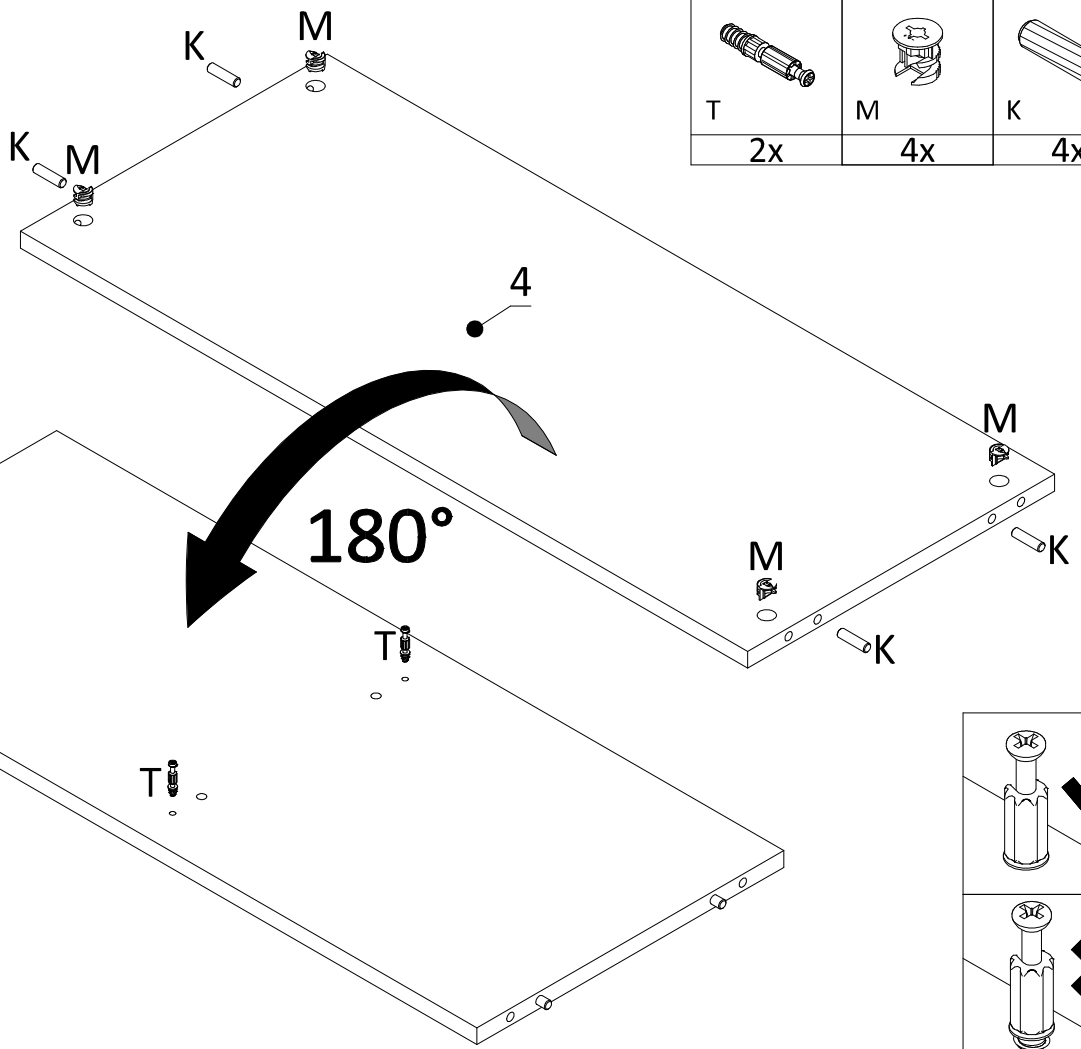
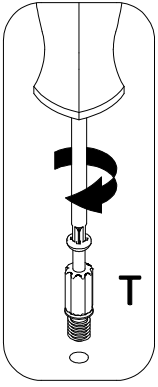
1



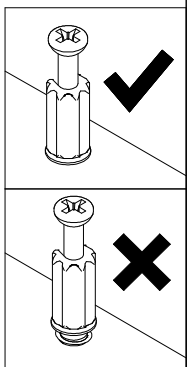
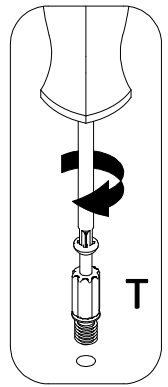
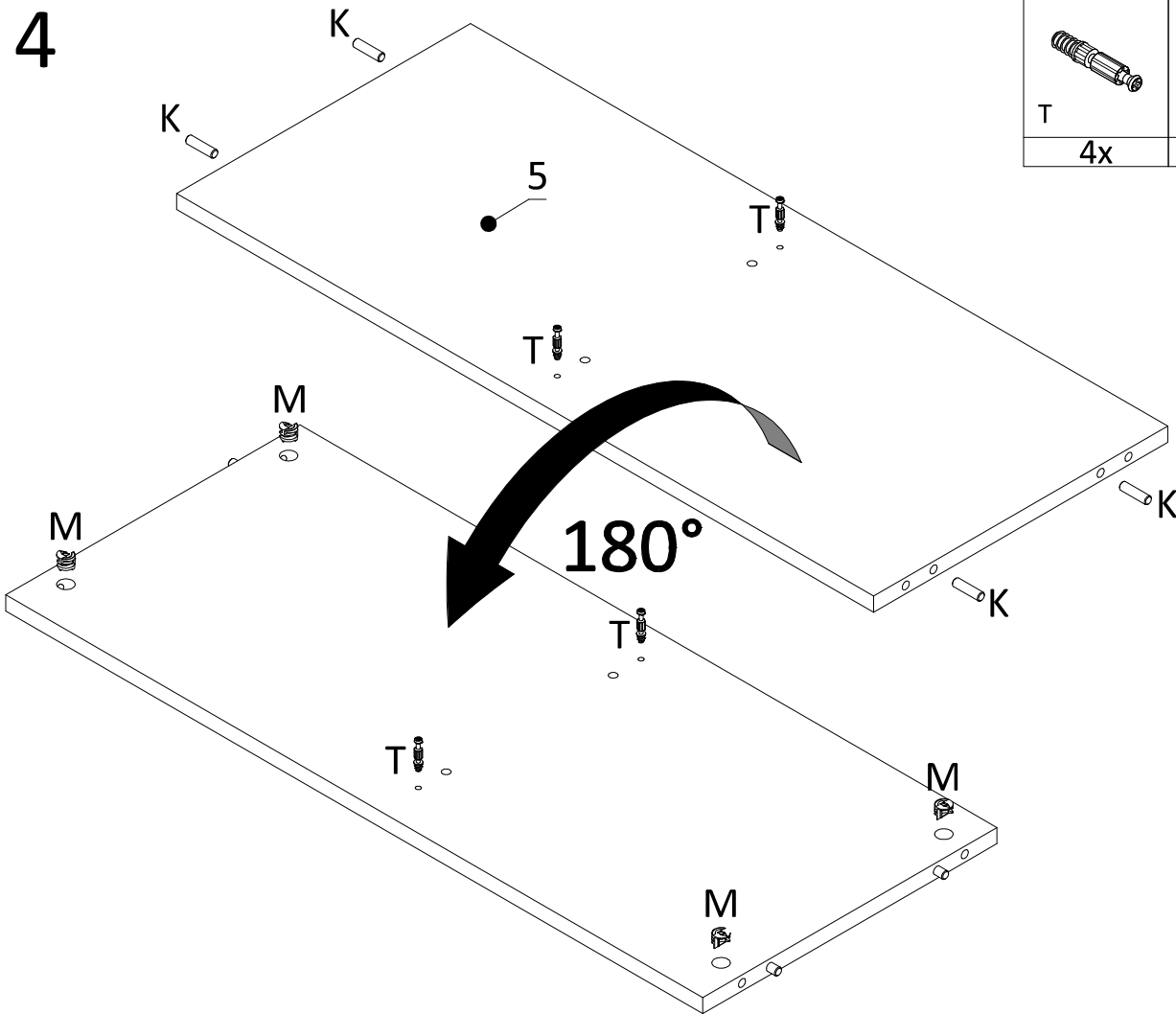
2



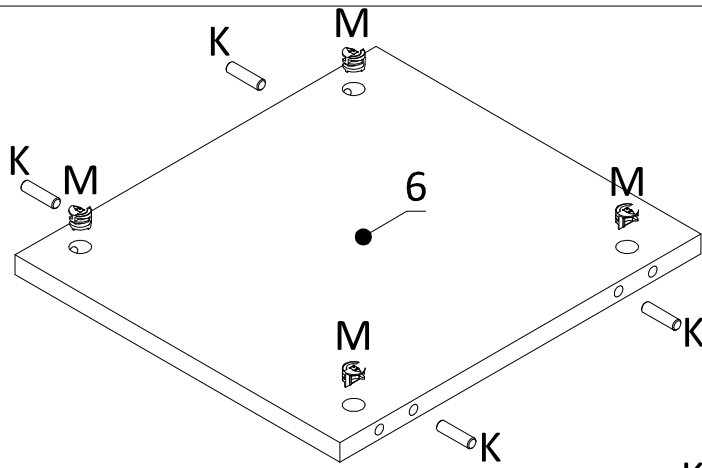
3

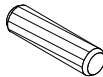



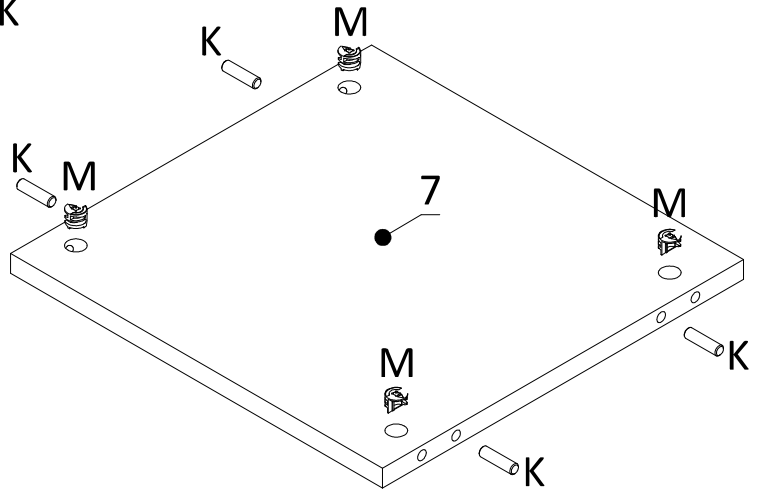
4



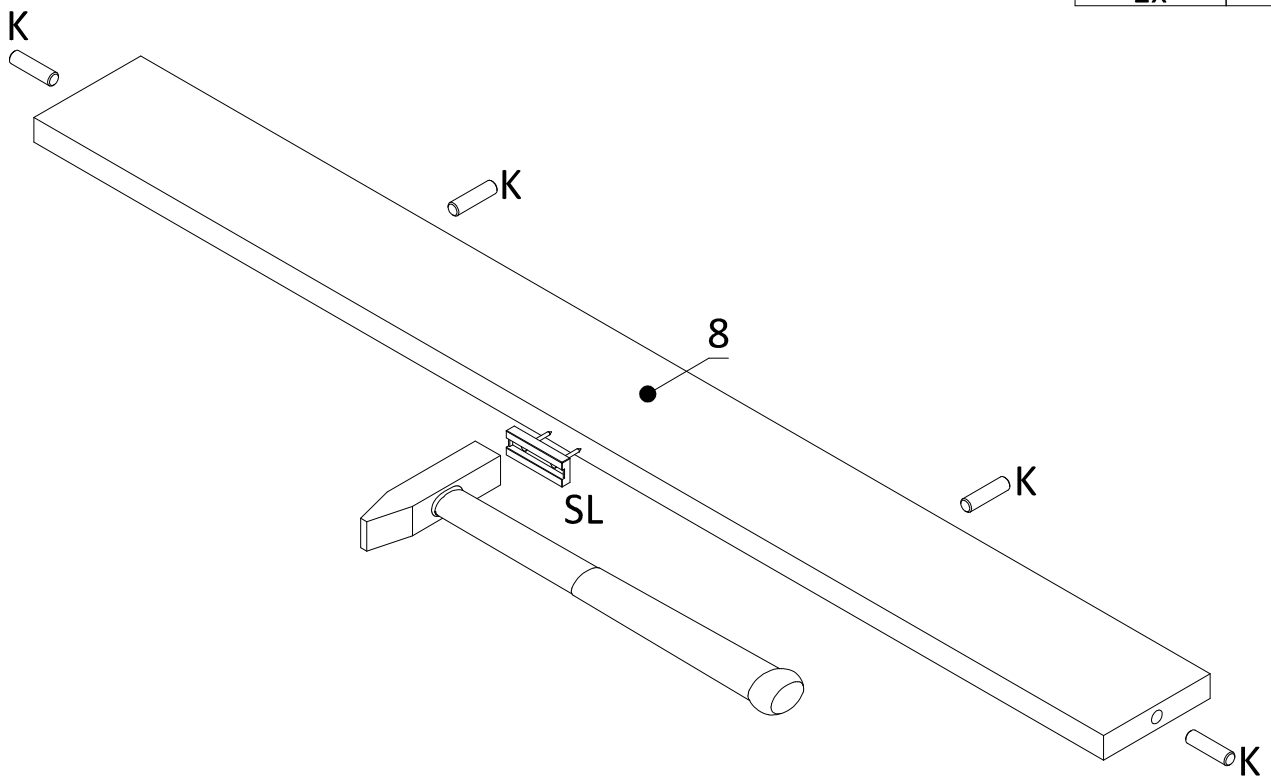
5

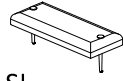
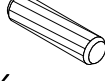


	
K	M
8x	8x

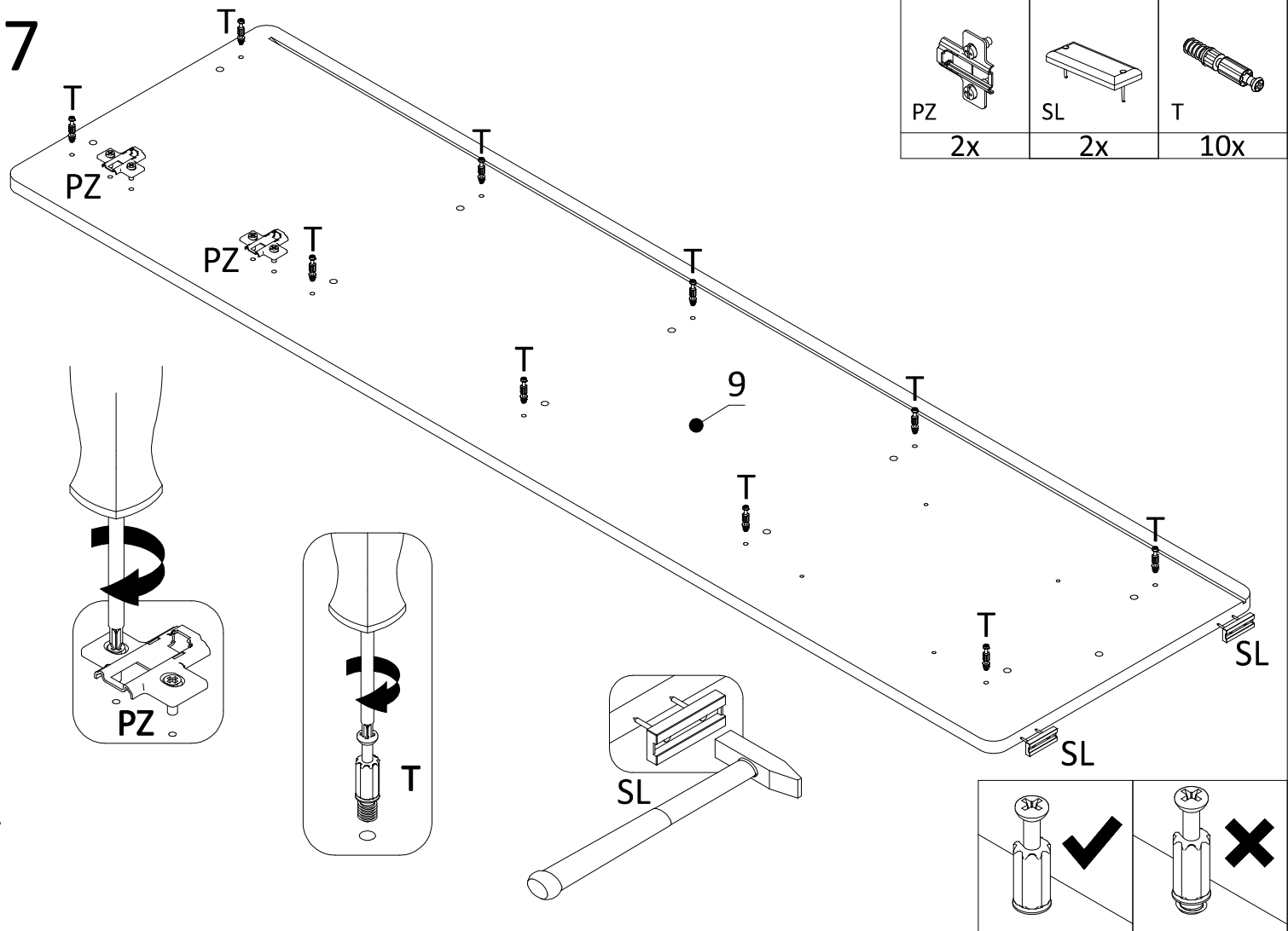


6

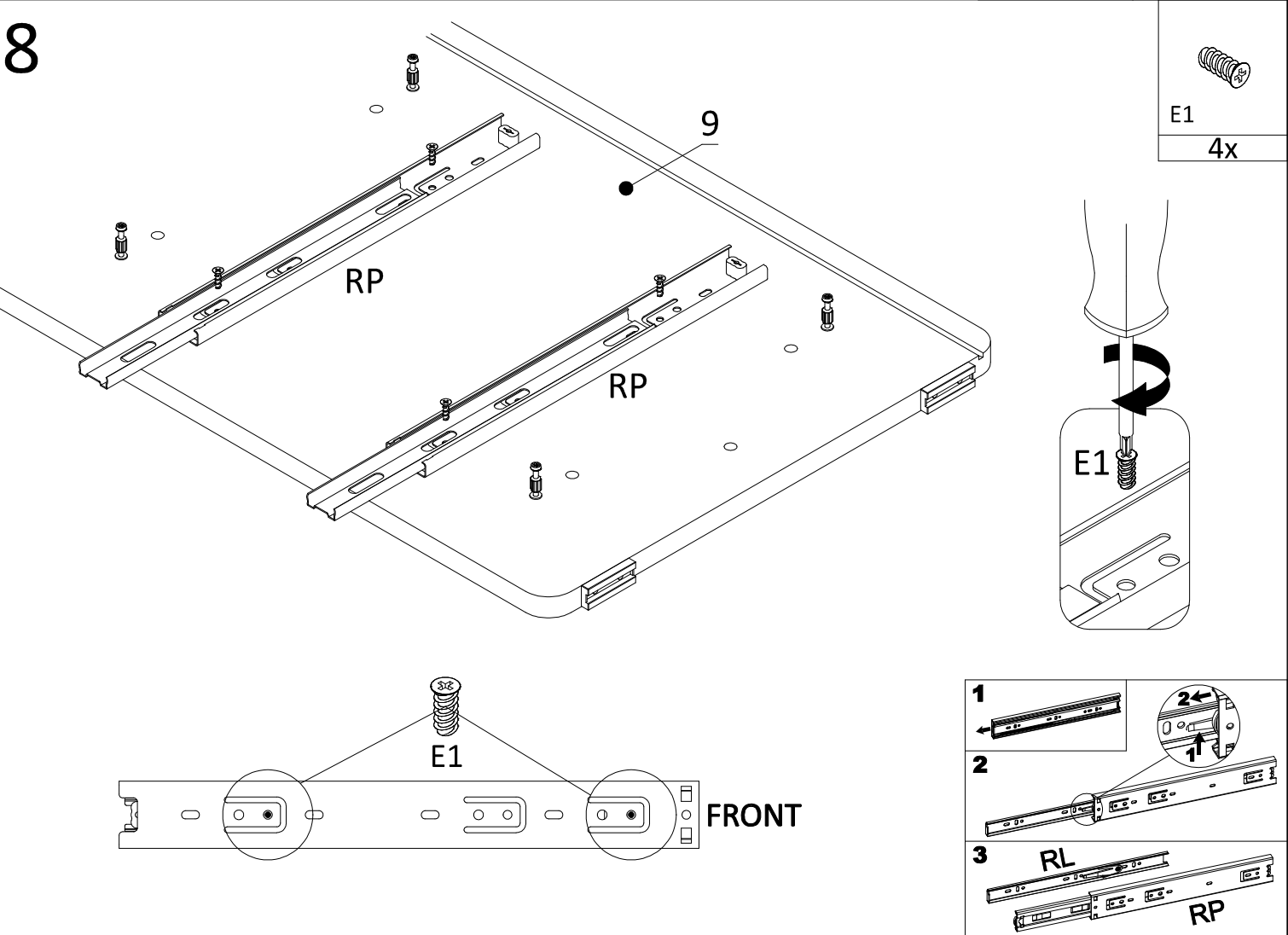


	
SL	K
1x	4x


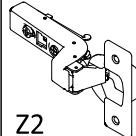
7

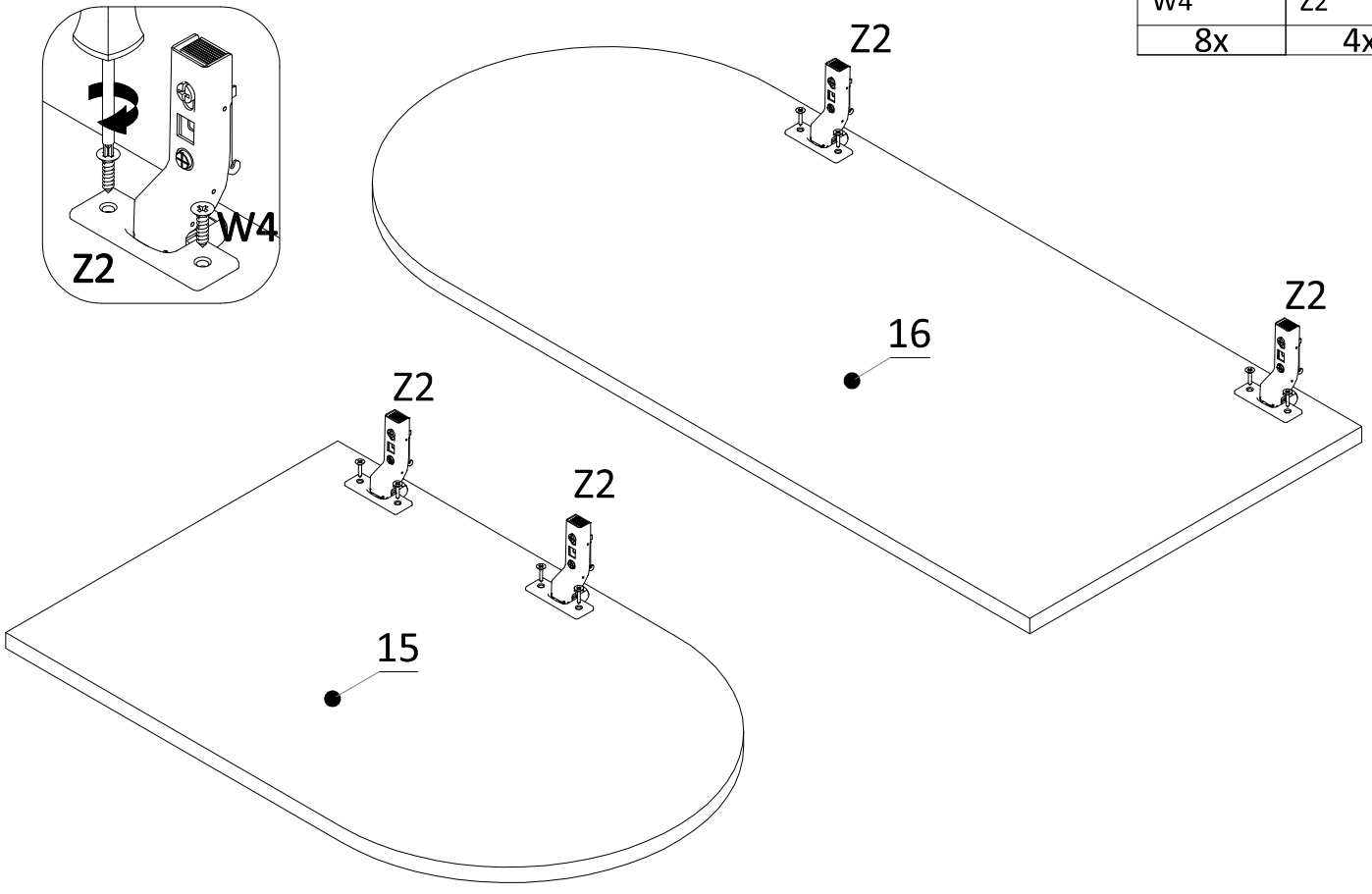


8

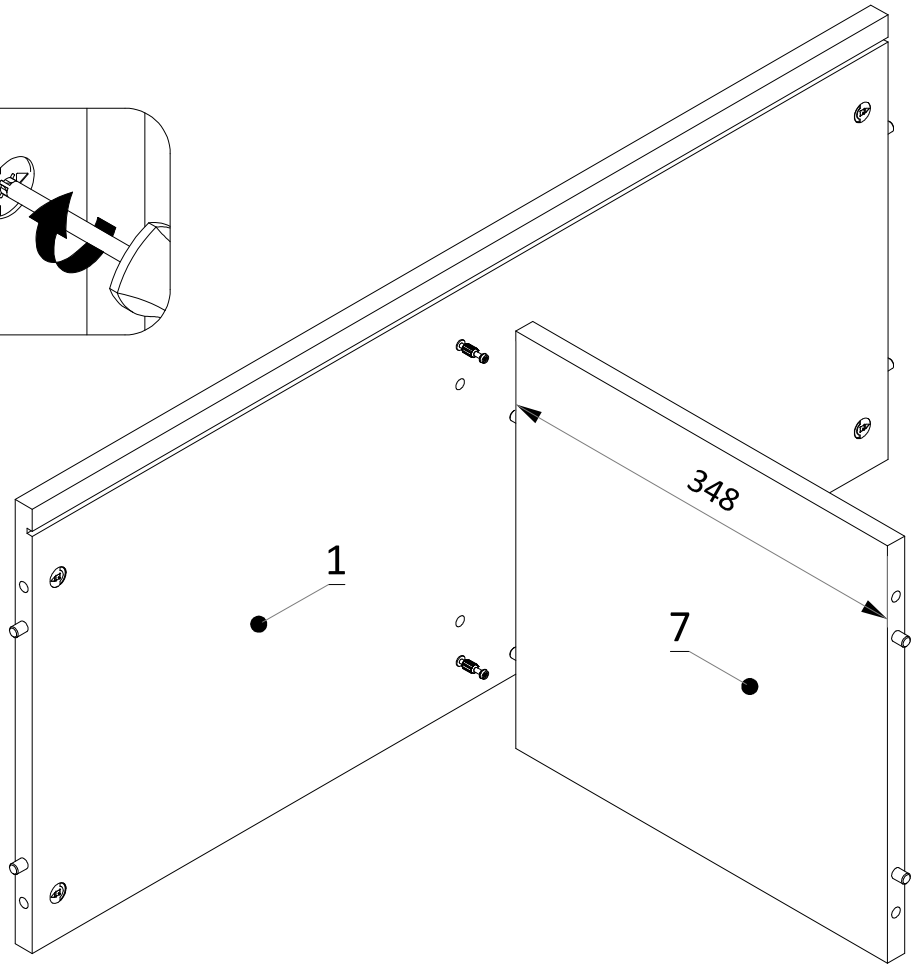


11

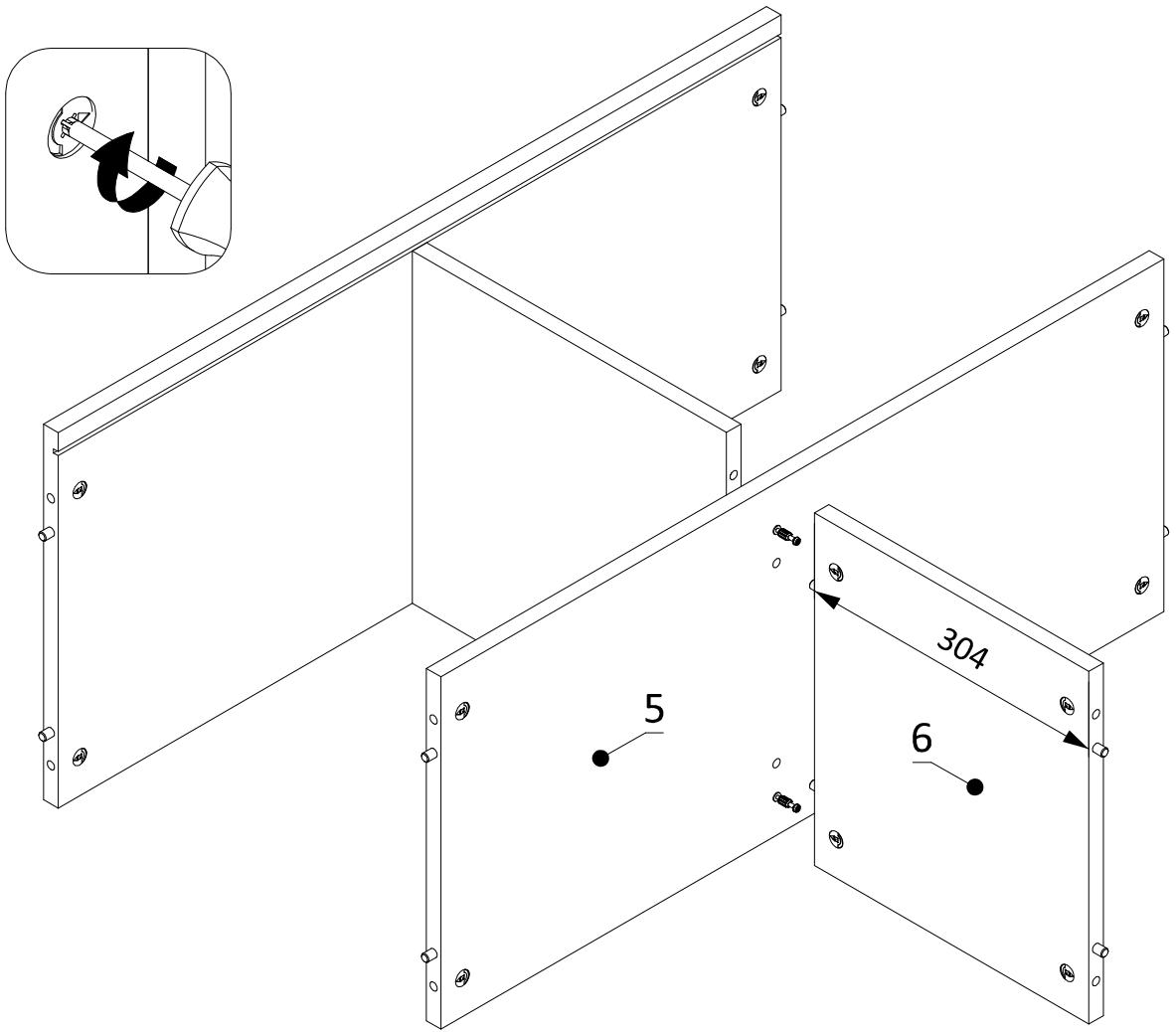
	
W4	Z2
8x	4x



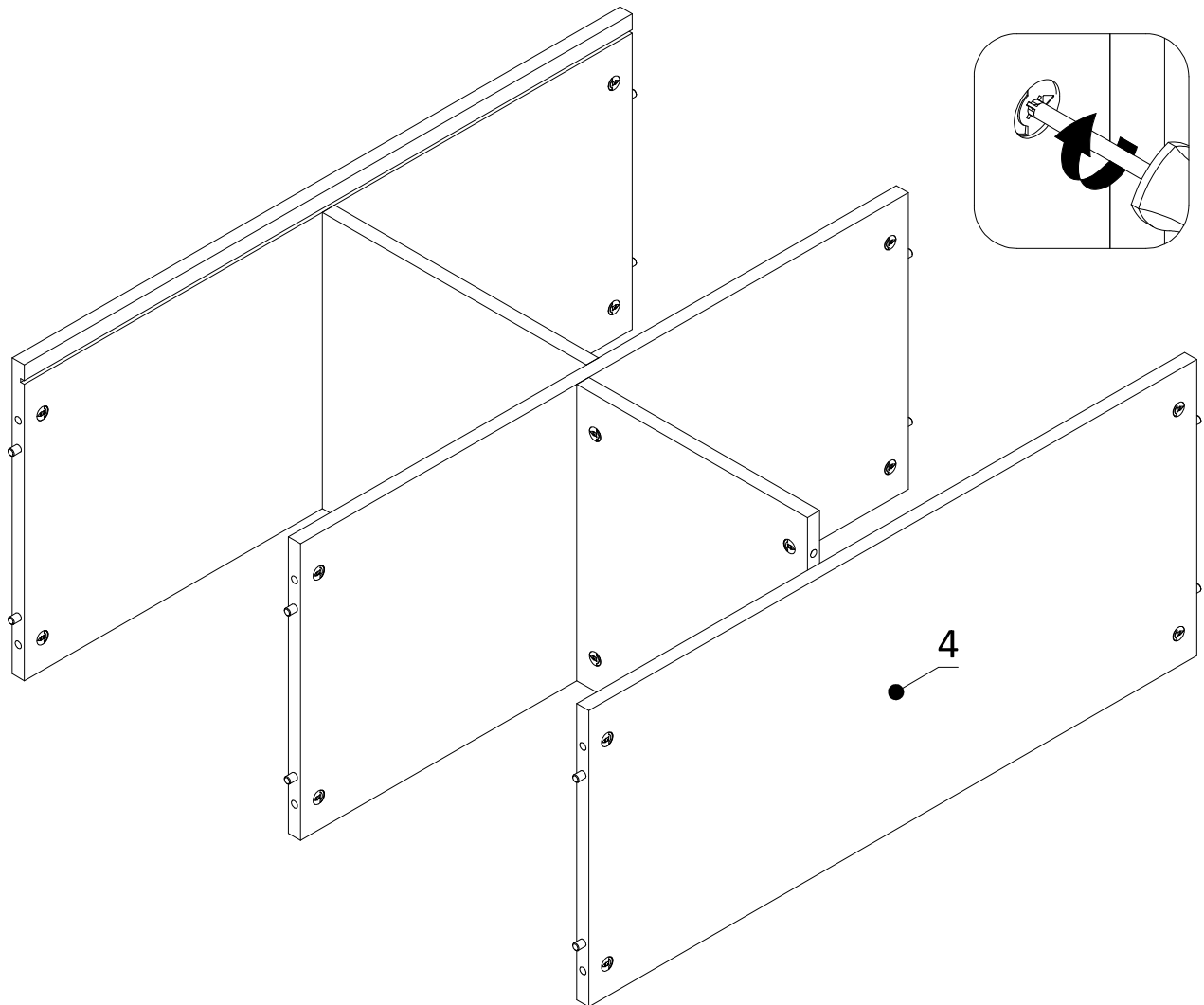
12



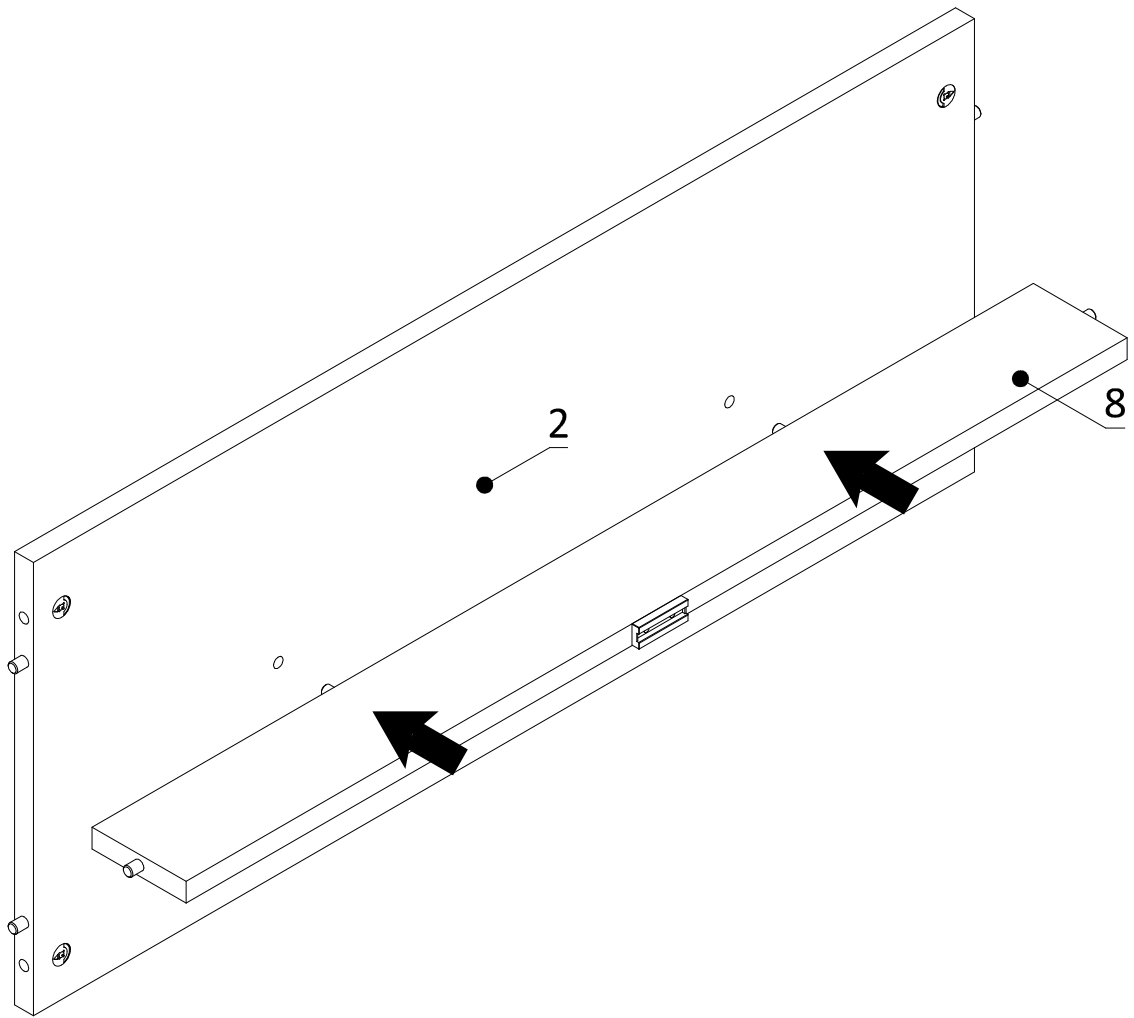
13



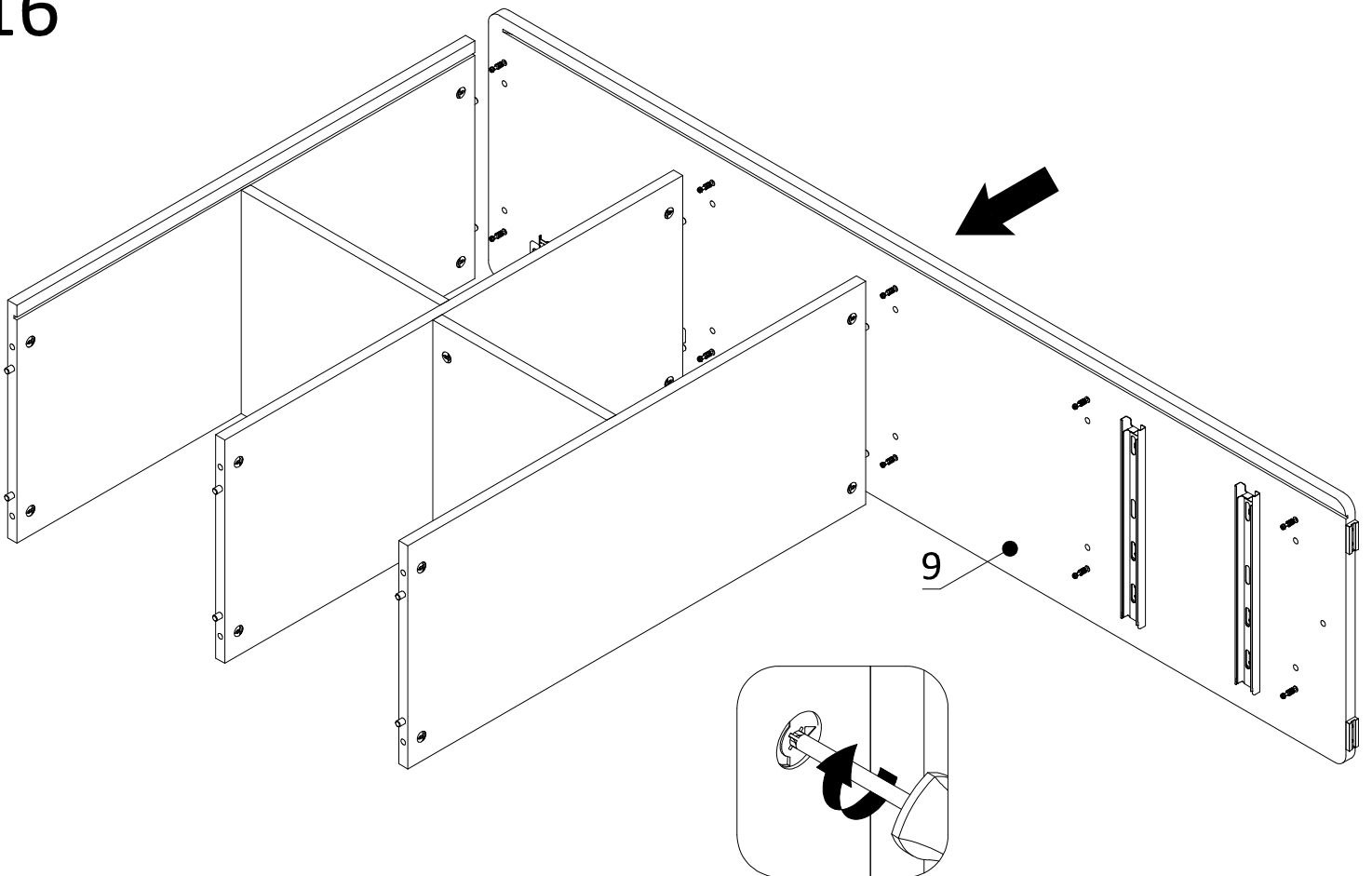
14



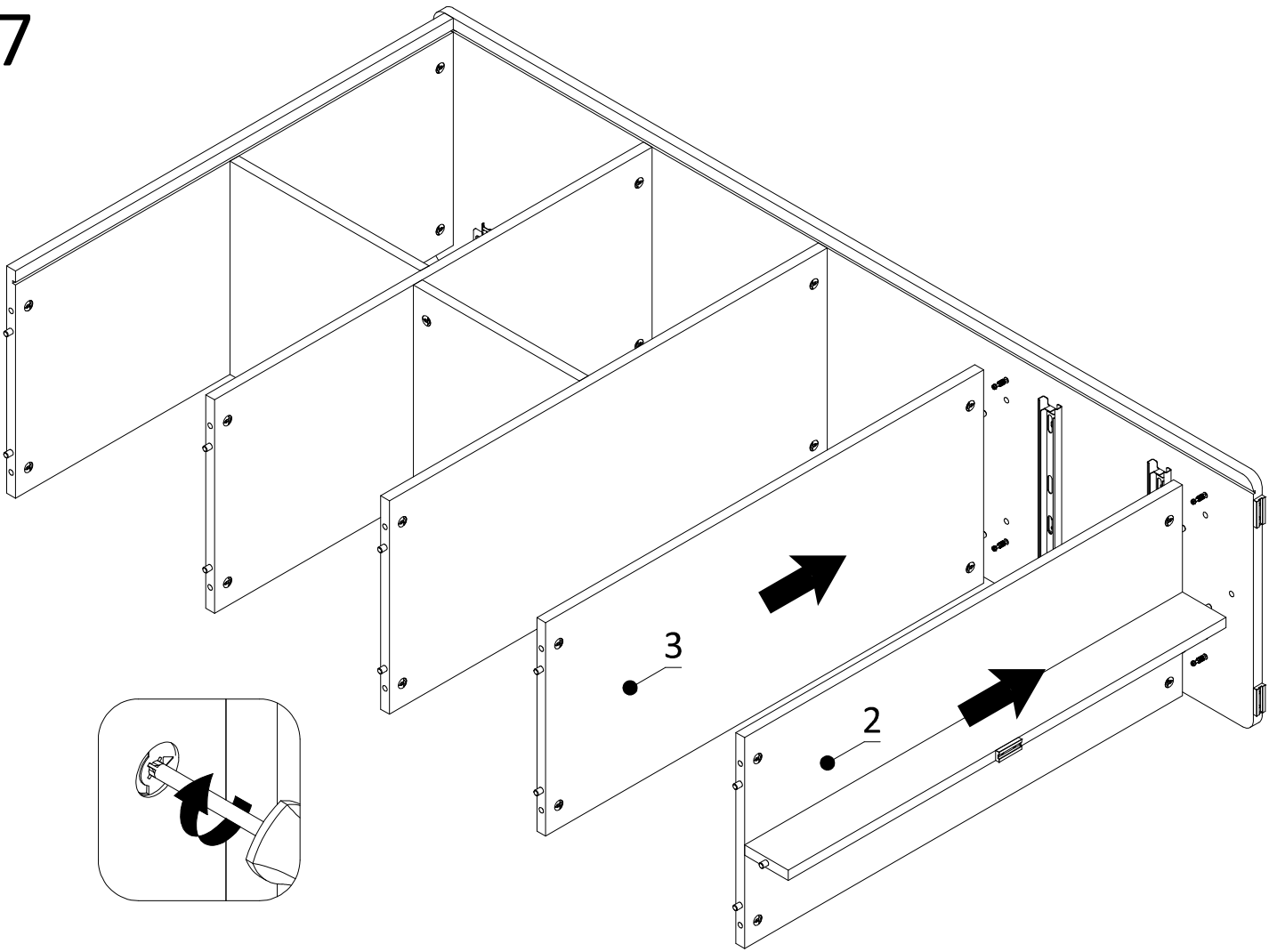
15



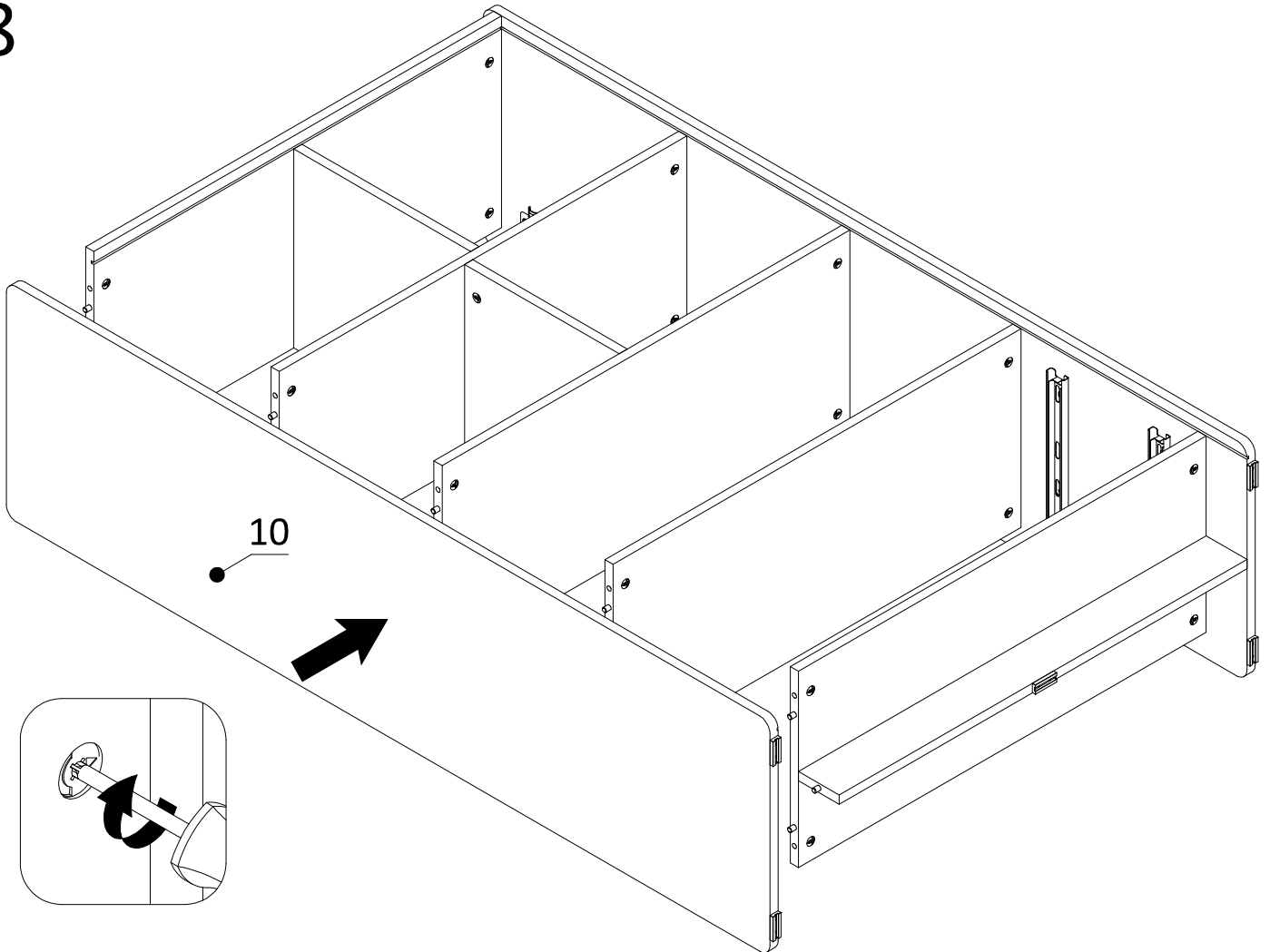
16



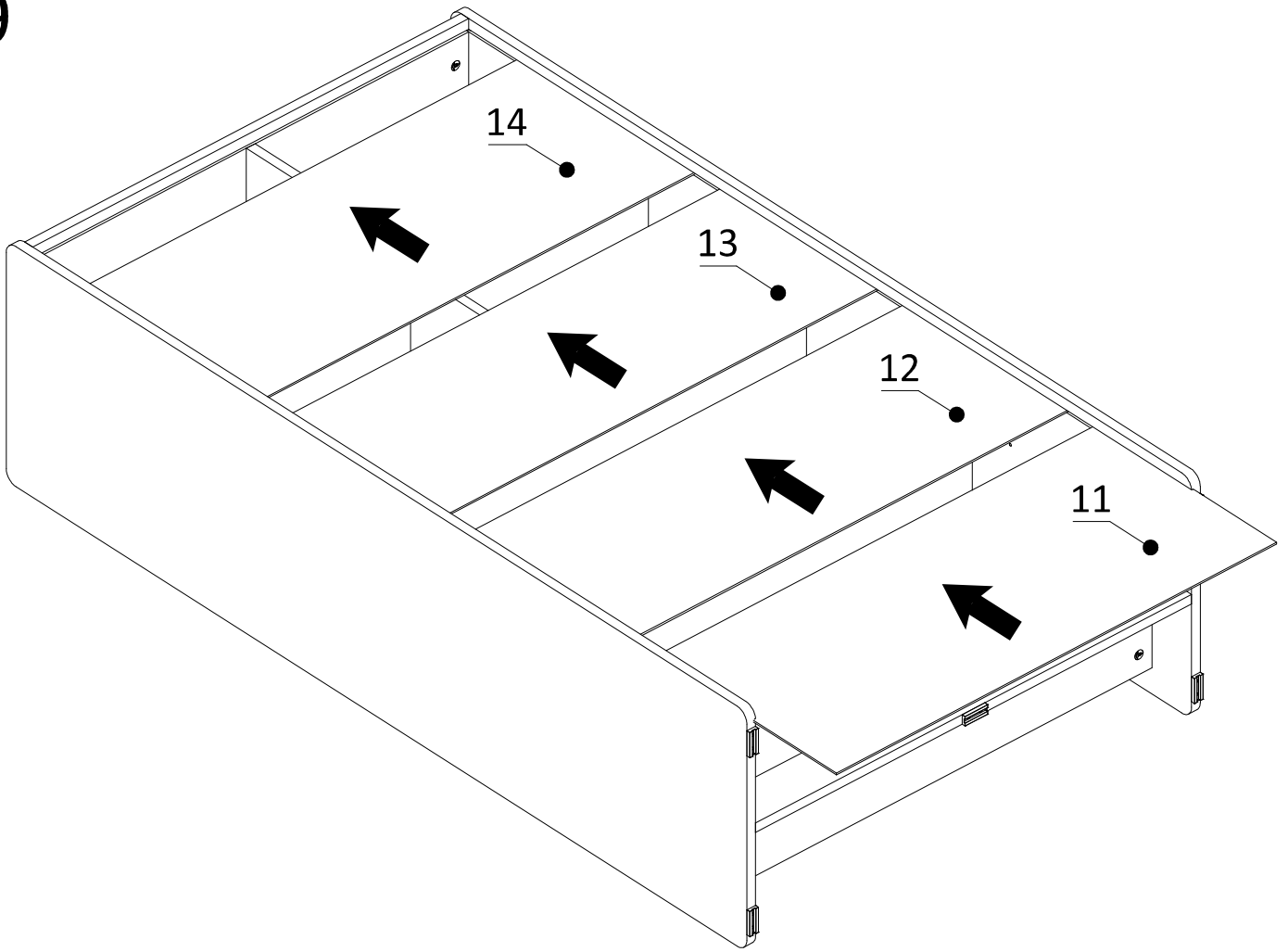
17



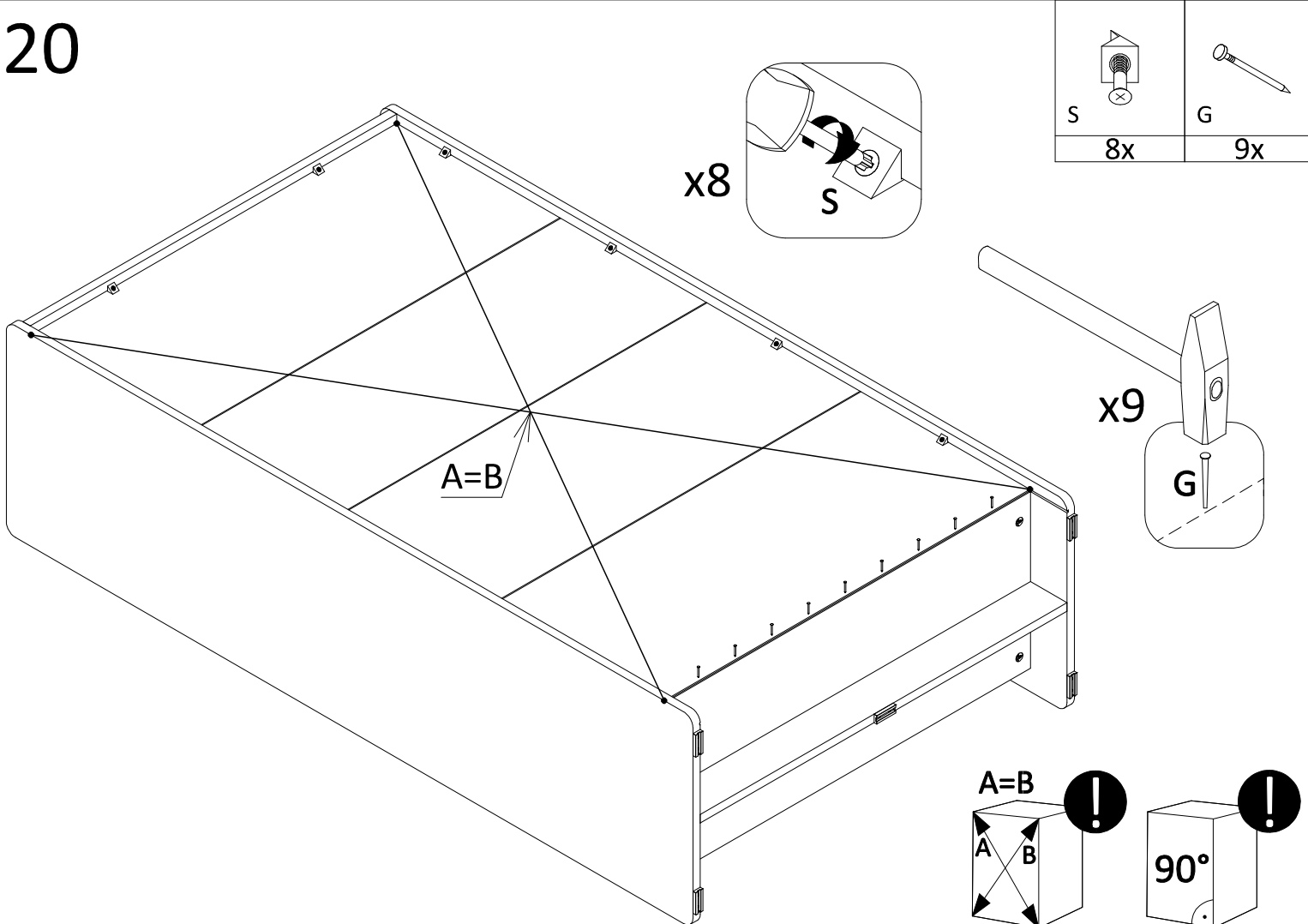
18





19

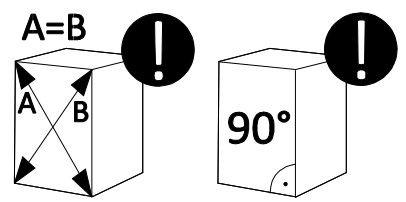
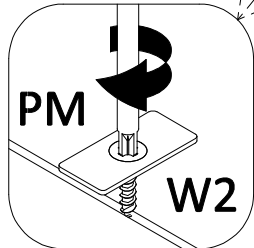
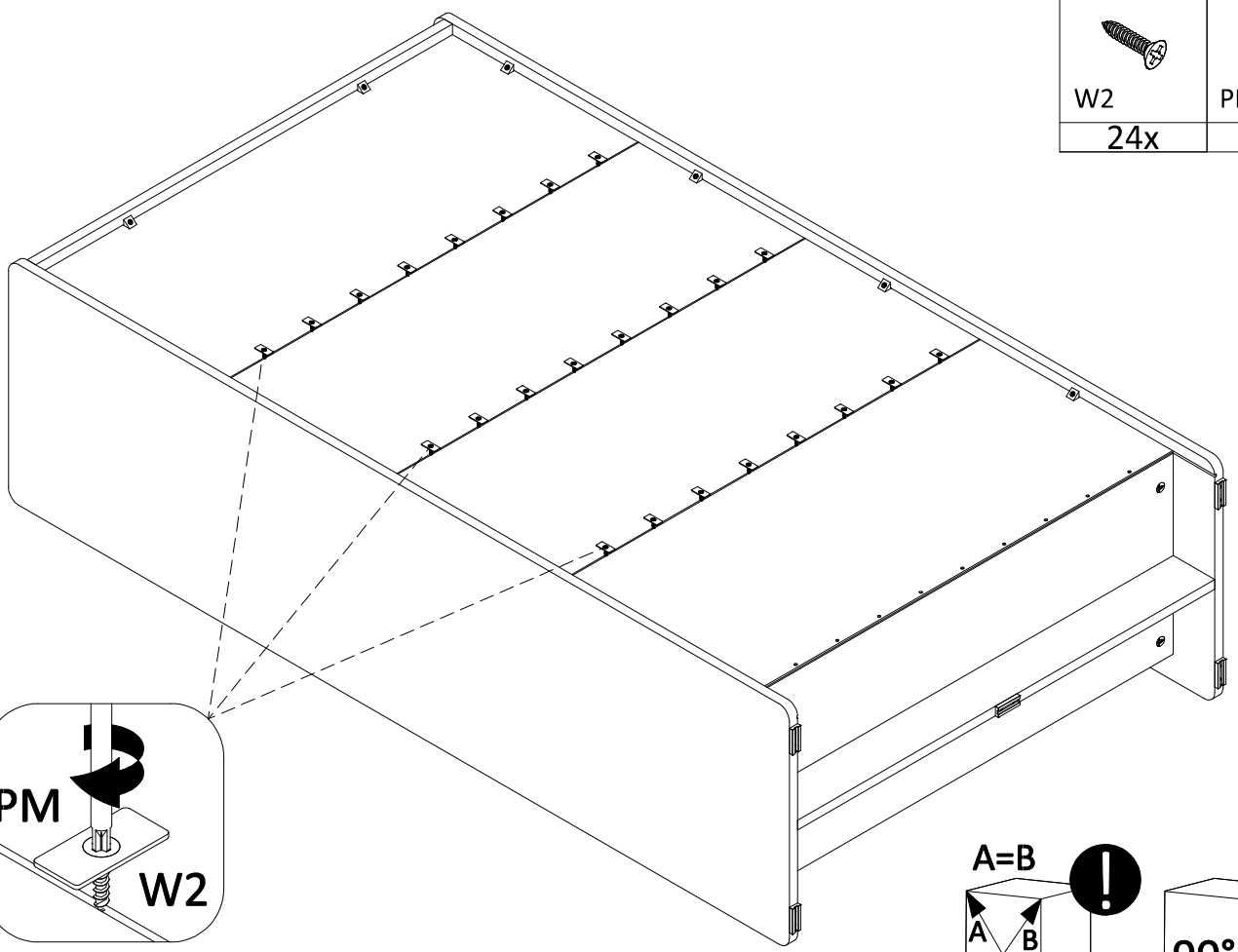


20

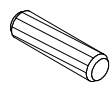



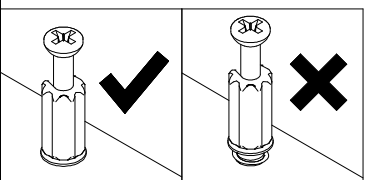
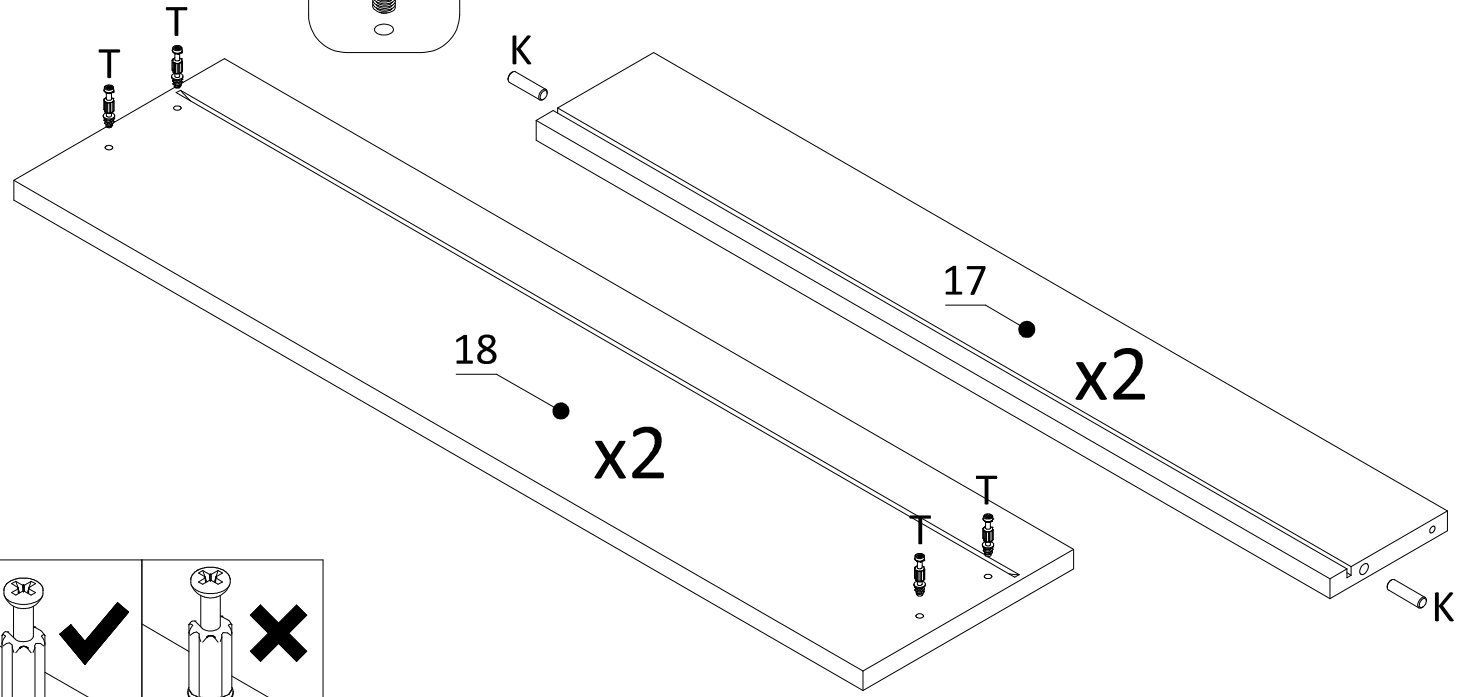
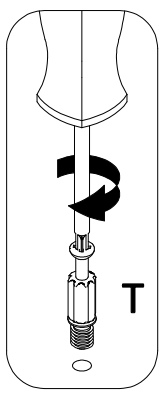
21

	
W2	PM
24x	24x

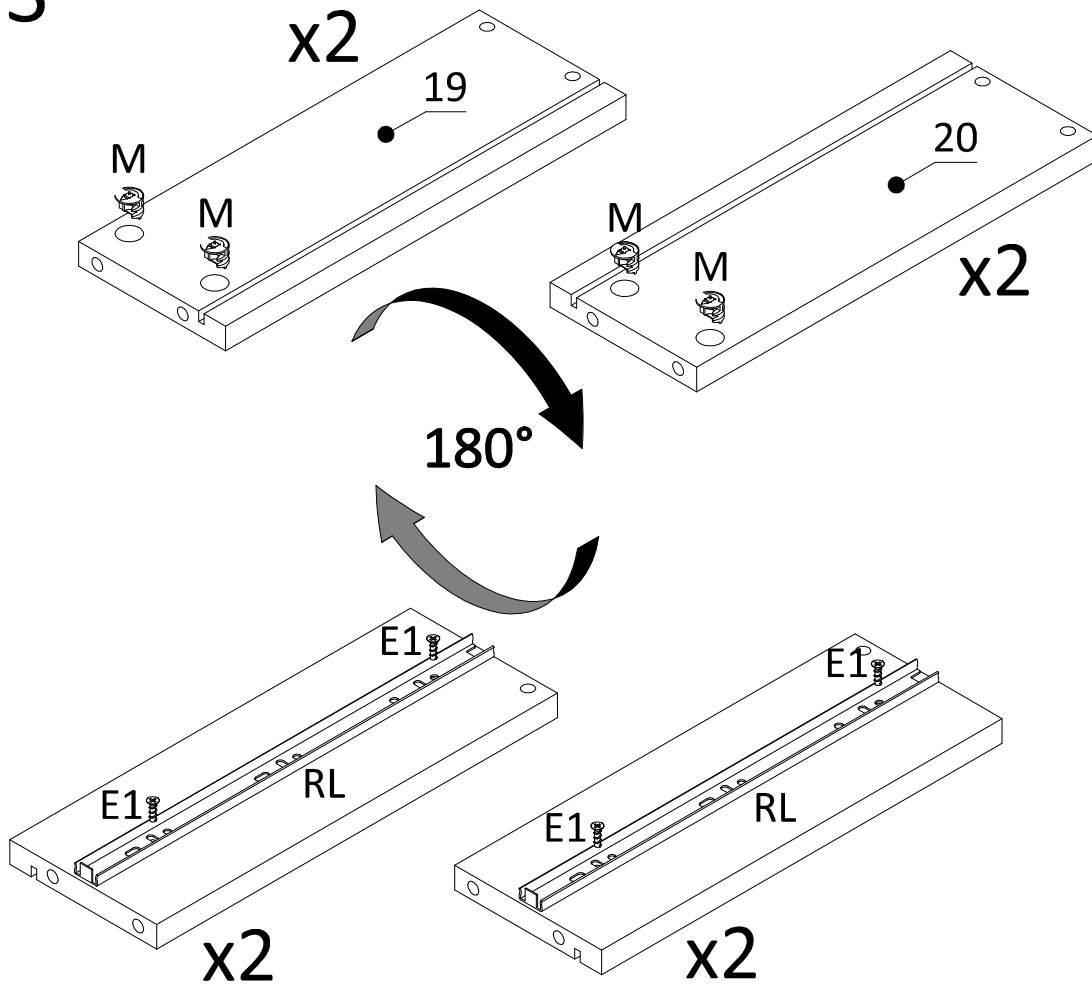




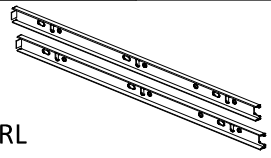
22

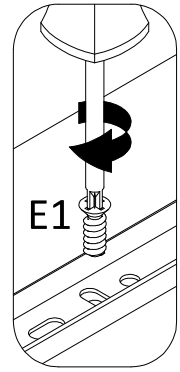
	
K	T
4x	8x



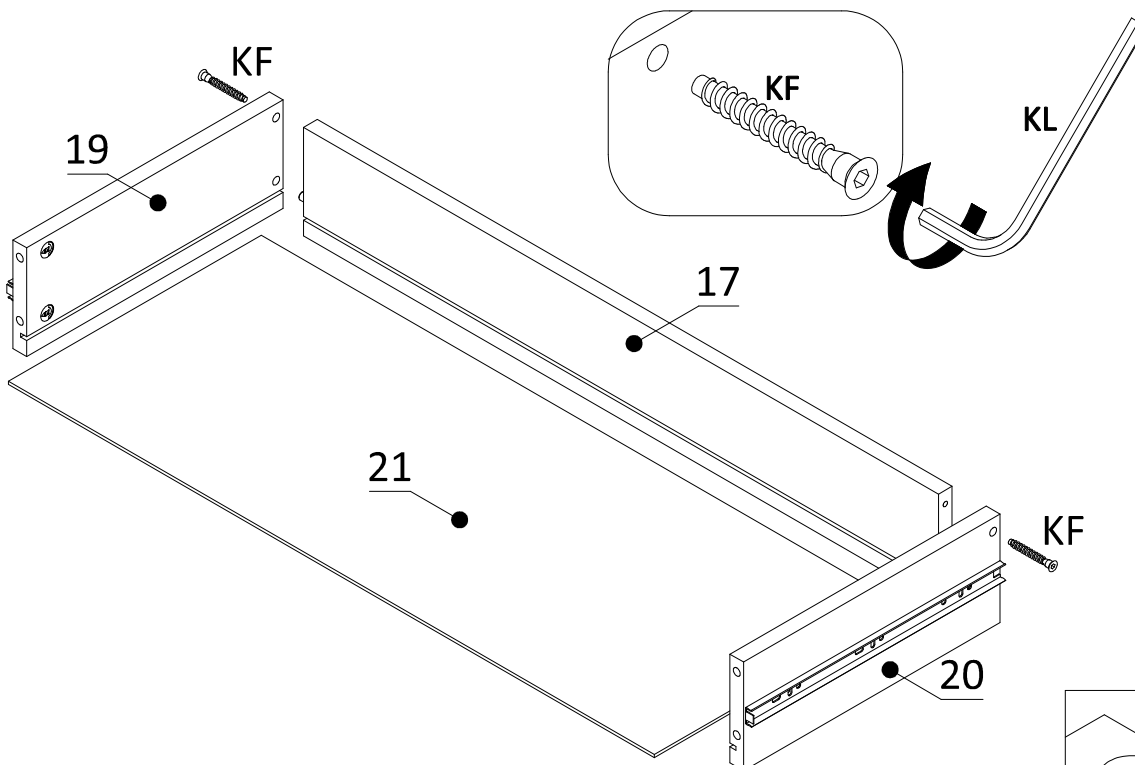
23


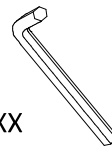


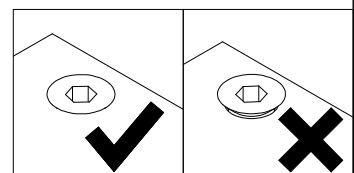
	
M	E1
8x	8x
	
RL	
2x	



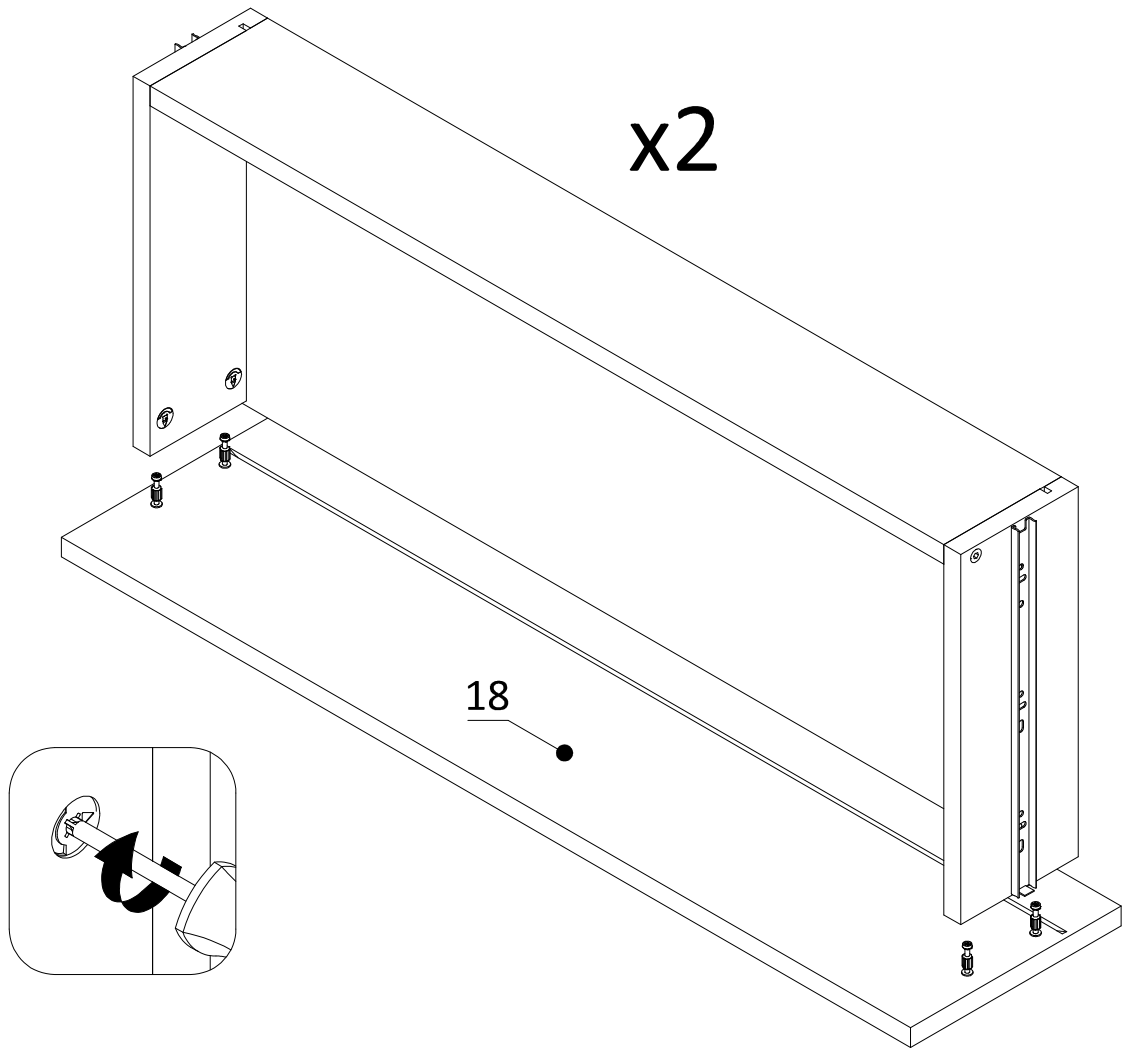
24



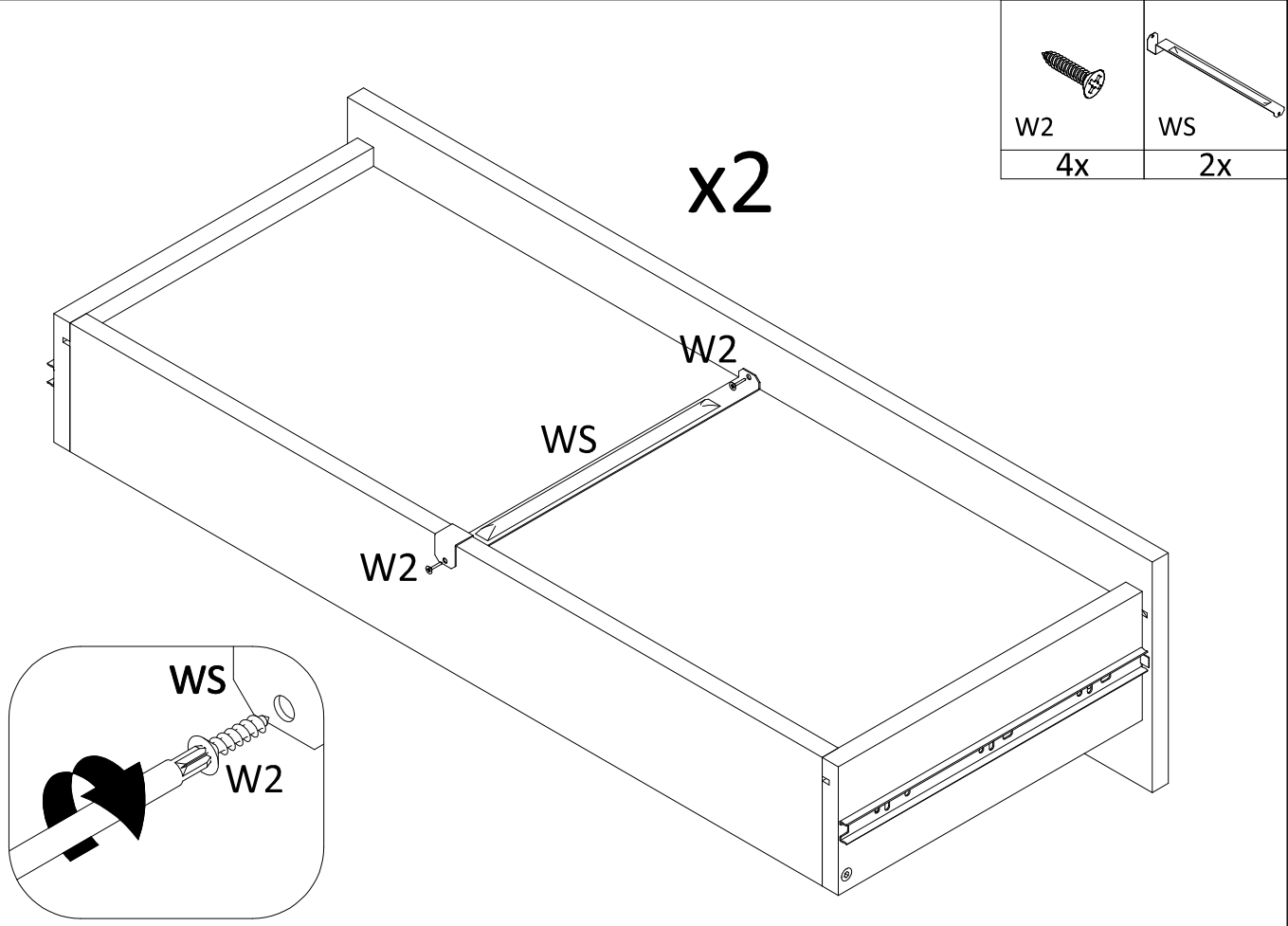
	
XX	XX
X	X



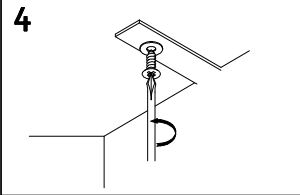
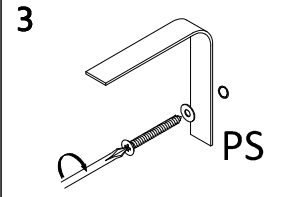
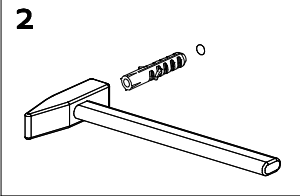
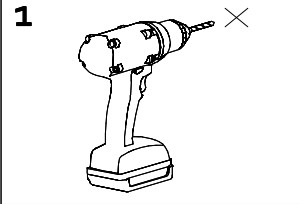
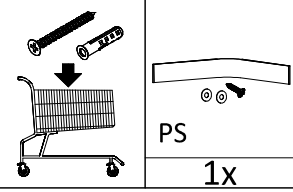
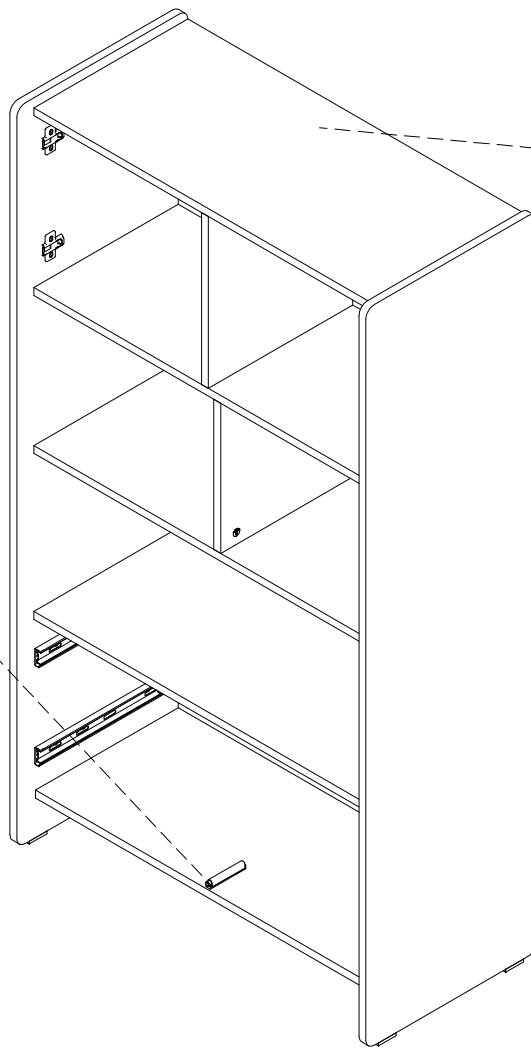
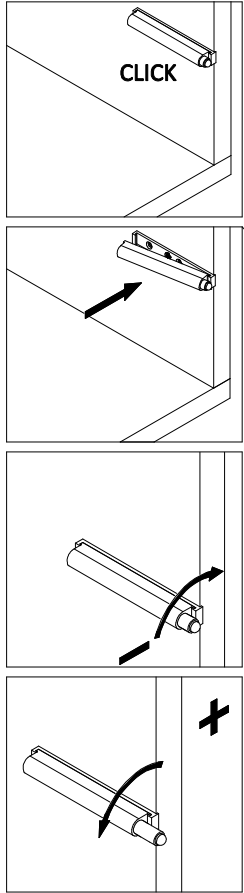
25



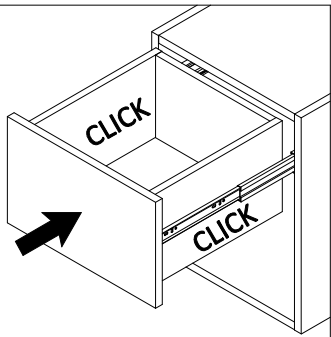
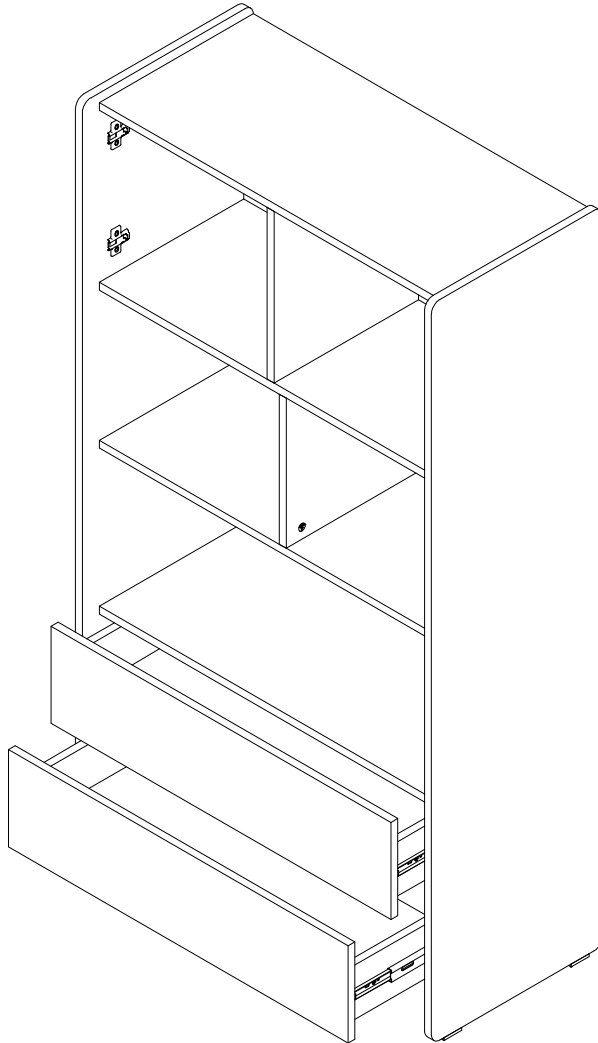
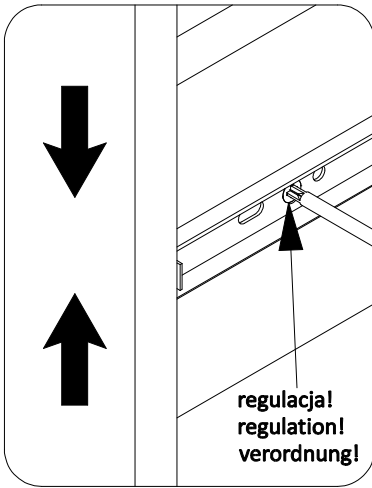
26

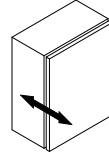
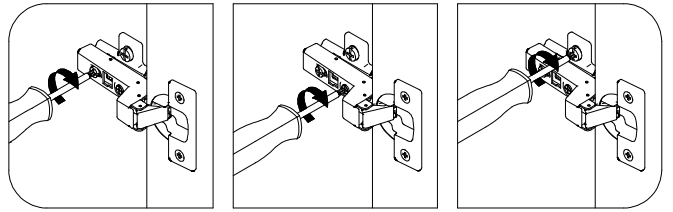


27

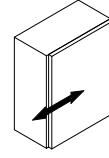


28

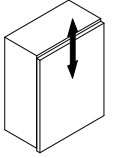




±2mm



±2mm



±2mm

