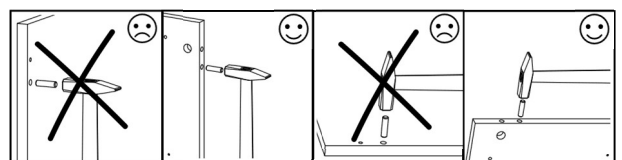
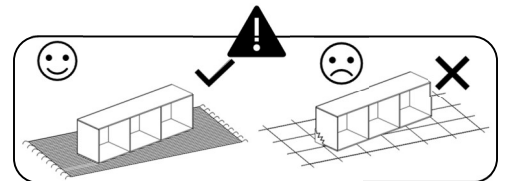
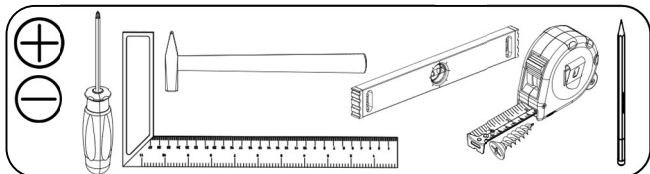
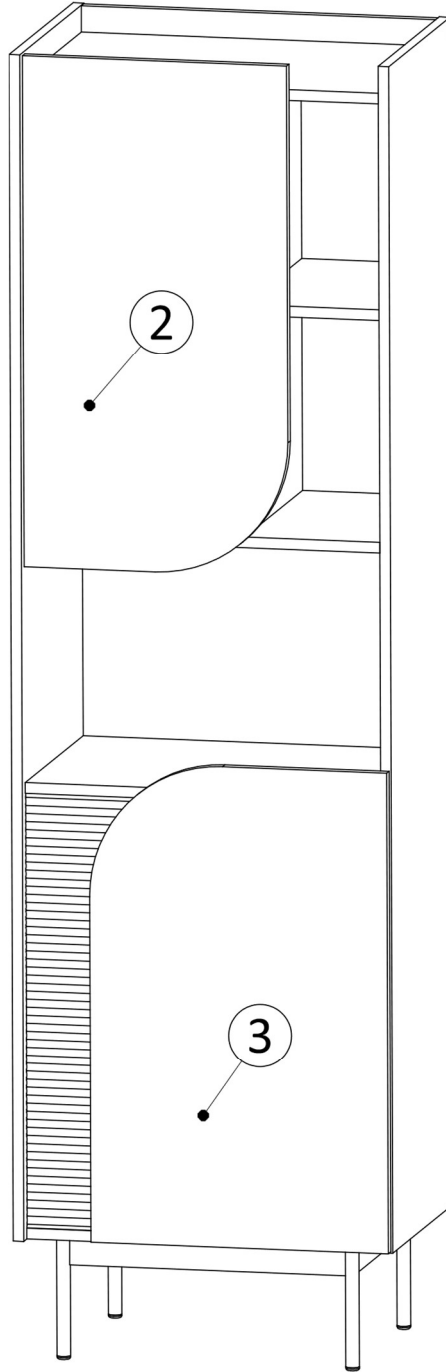
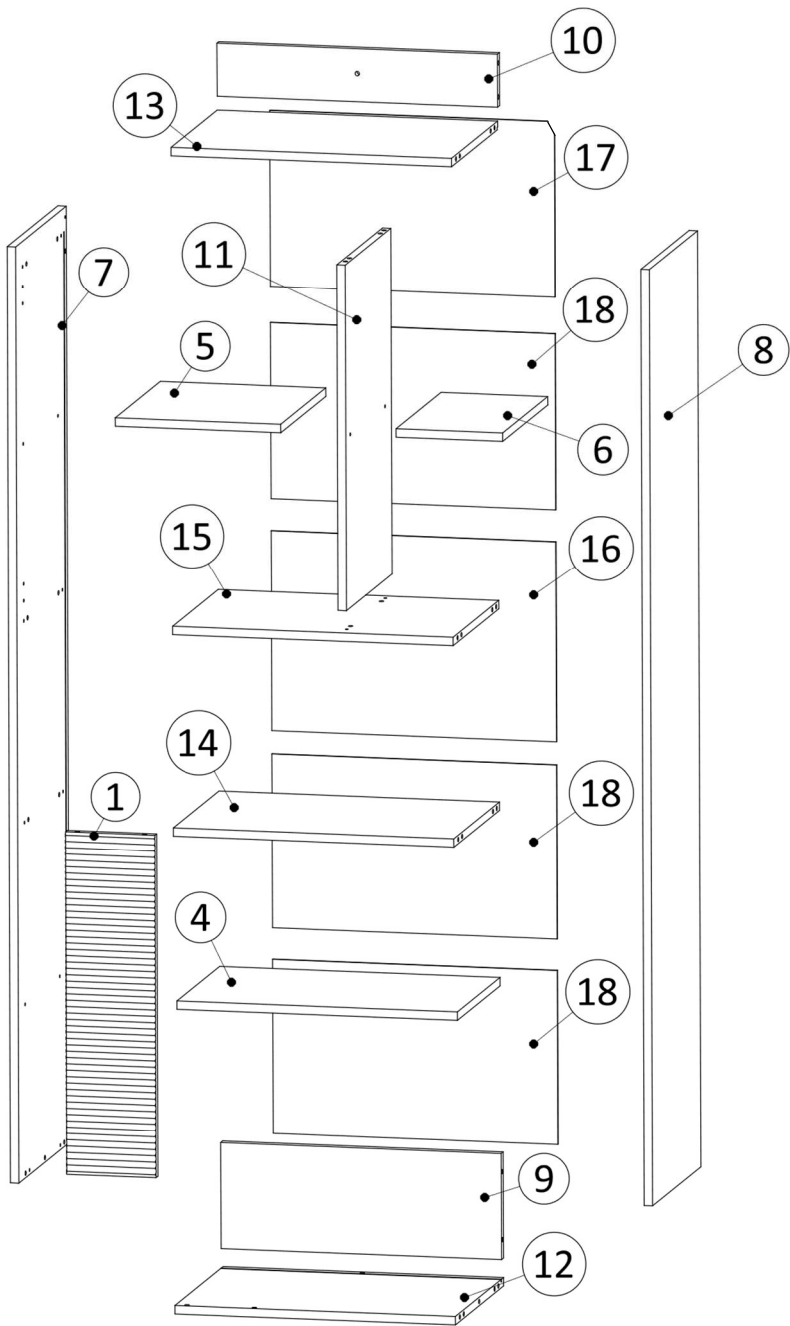


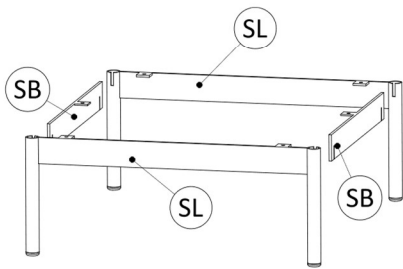
CARMEN

R-3



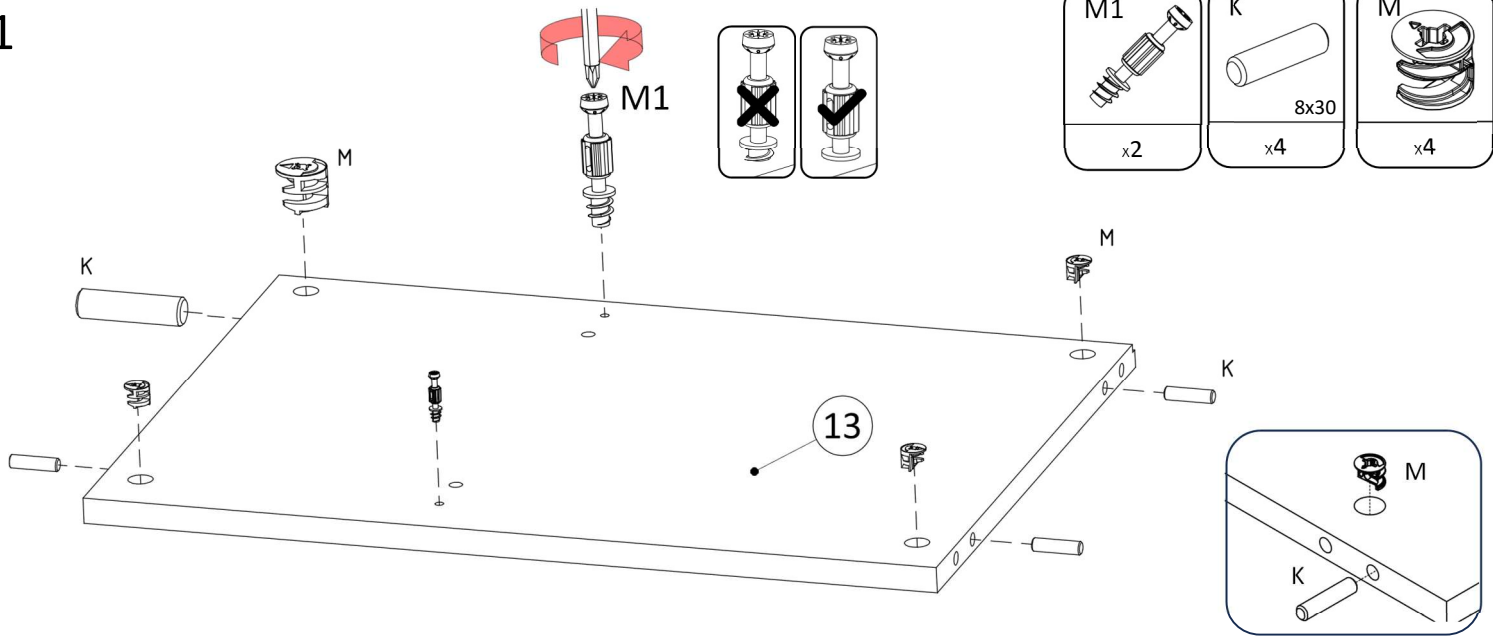


No	T(mm)	L(mm)	W(mm)	pcs.
1	18	648	170	1
2	16	762	397	1
3	16	716	447	1
4	16	534	354	1
5	16	315	374	1
6	16	203	374	1
7	16	1770	420	1
8	16	1770	400	1
9	16	534	200	1
10	16	534	100	1
11	16	654	379	1
12	16	534	400	1
13	16	534	383	1
14	16	534	379	1
15	16	534	379	1
16	3	542	378	1
17	3	542	332	1
18	3	542	329	3

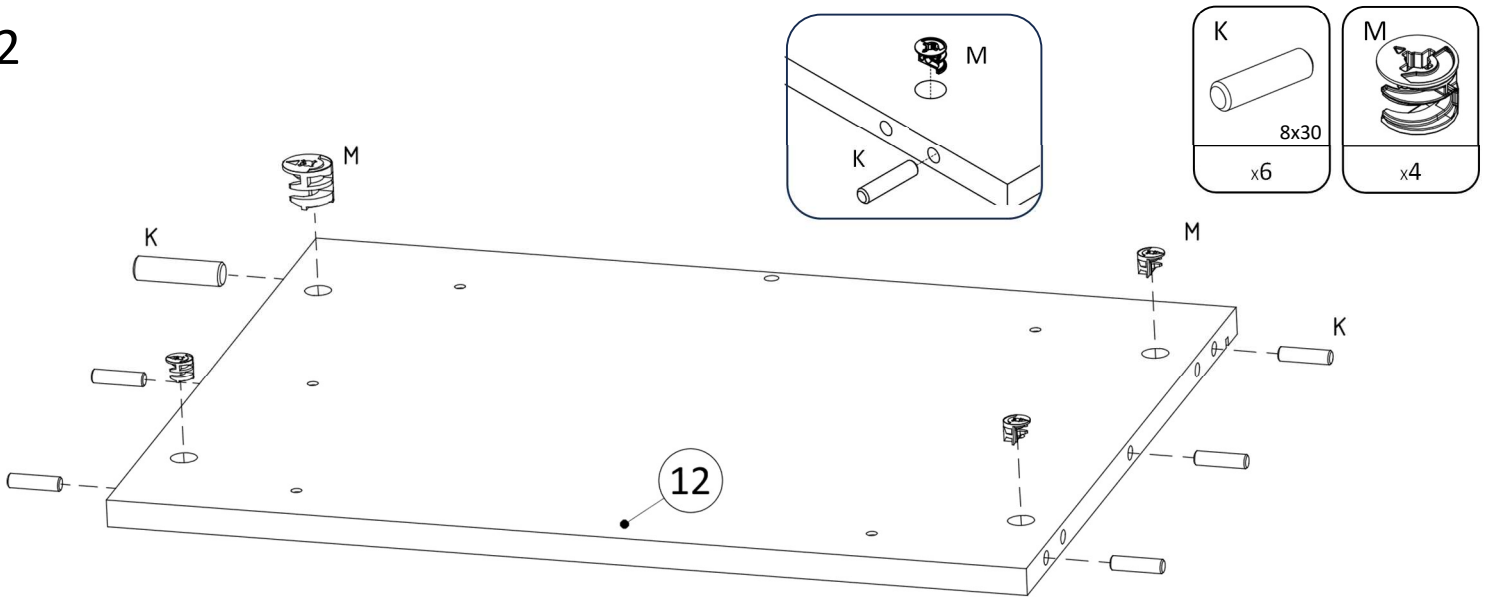


<p>K 8x30 x32</p>	<p>M1 x22</p>	<p>ZM x22</p>	<p>Z x4</p>	<p>P x12</p>	<p>MS x1</p>				
<p>M x22</p>	<p>Z1 x2</p>	<p>F 7x50 x2</p>	<p>KL x1</p>	<p>Z3 x2</p>	<p>Y x2</p>	<p>S x8</p>	<p>D4 4x16 x14</p>	<p>BL x10</p>	<p>D6 3x16 x10</p>

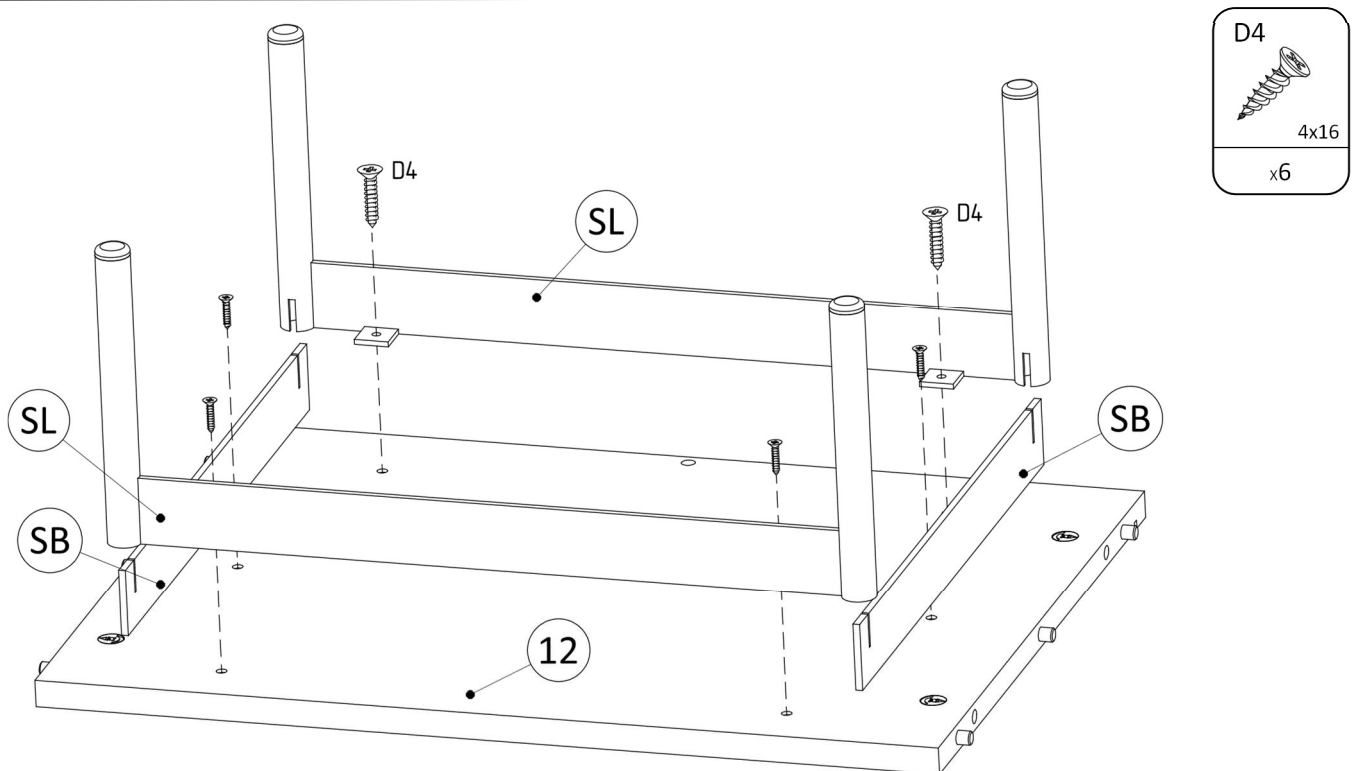
1



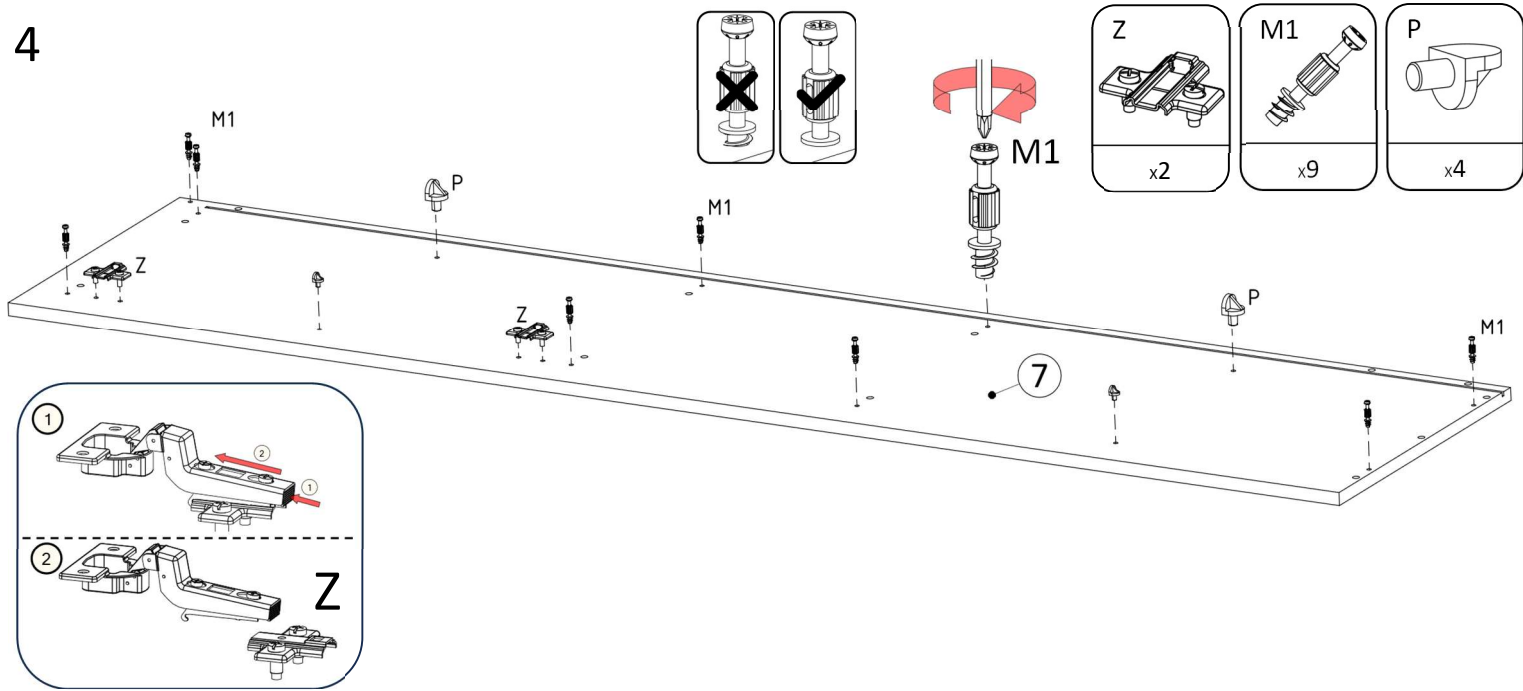
2



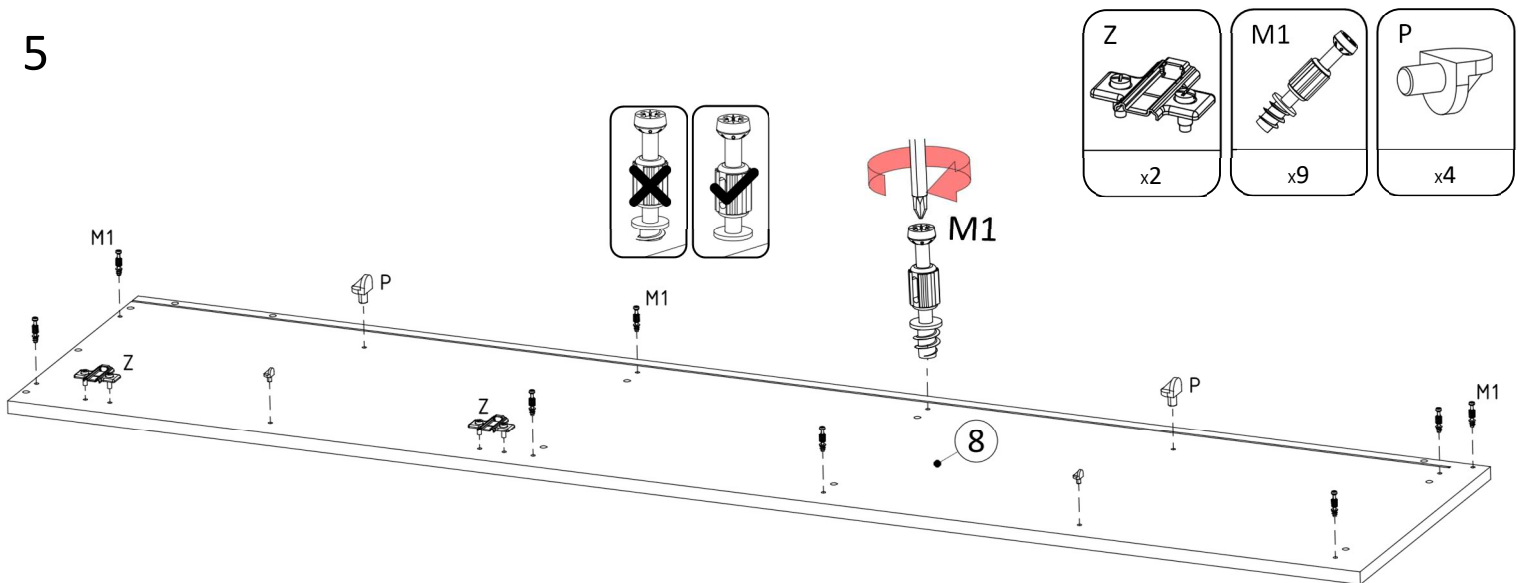
3



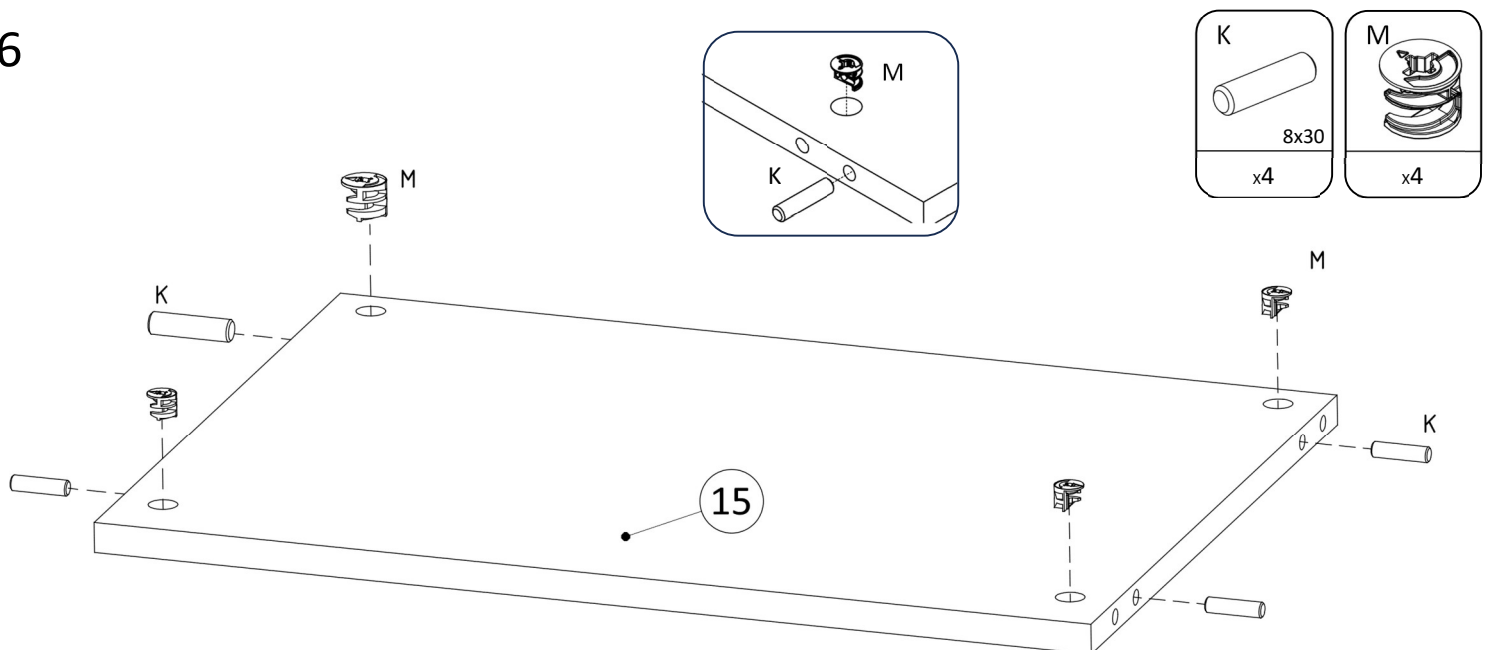
4



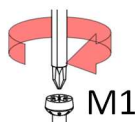
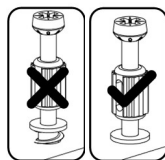
5



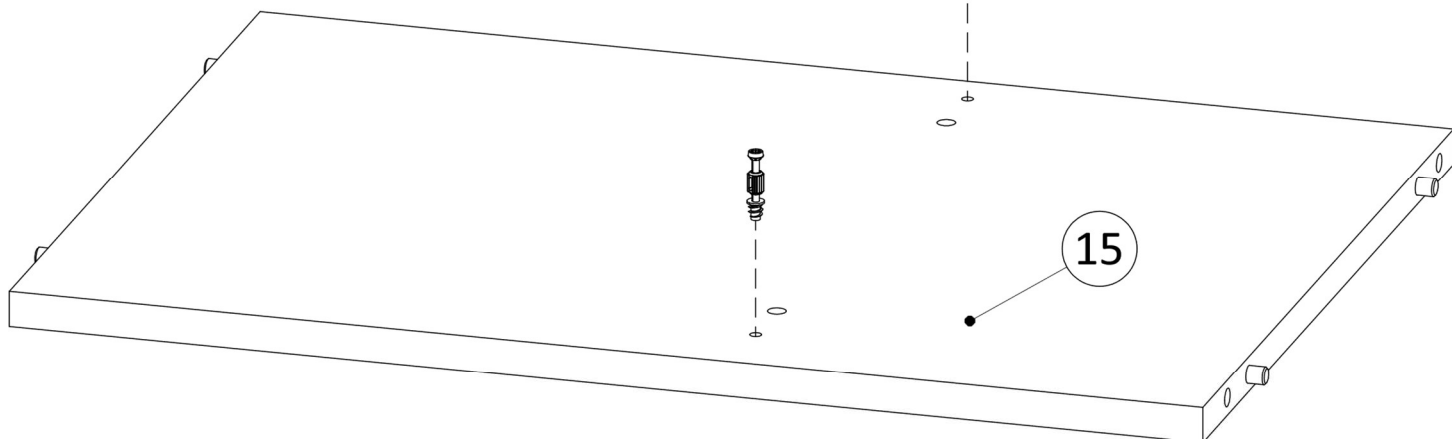
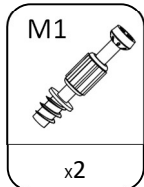
6



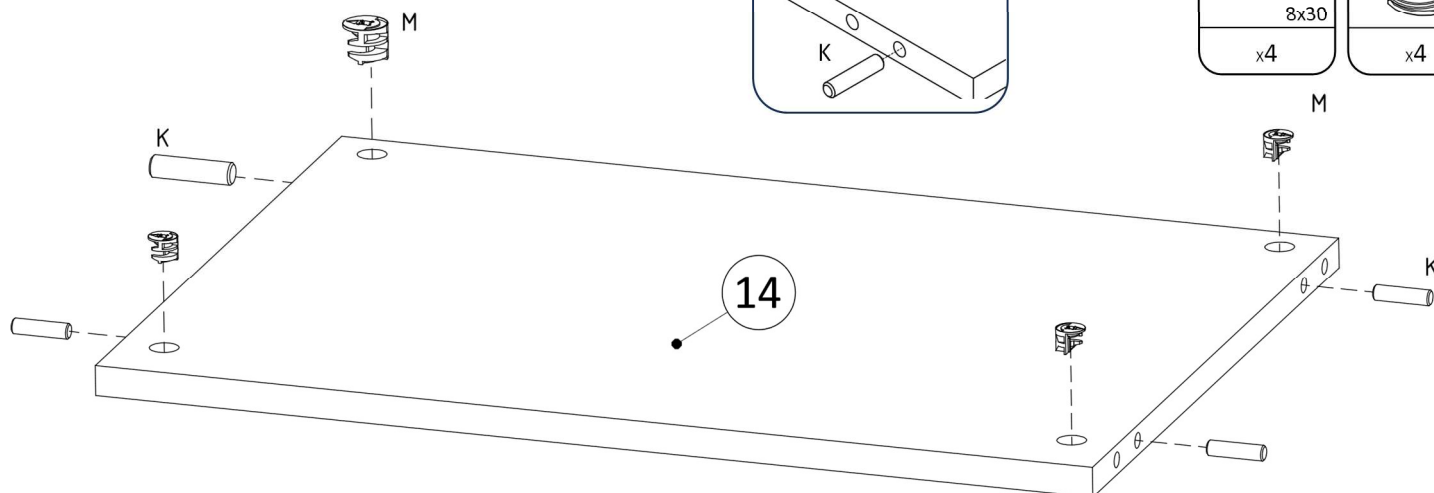
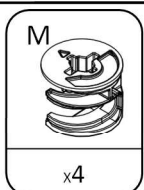
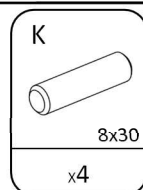
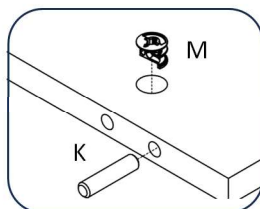
7



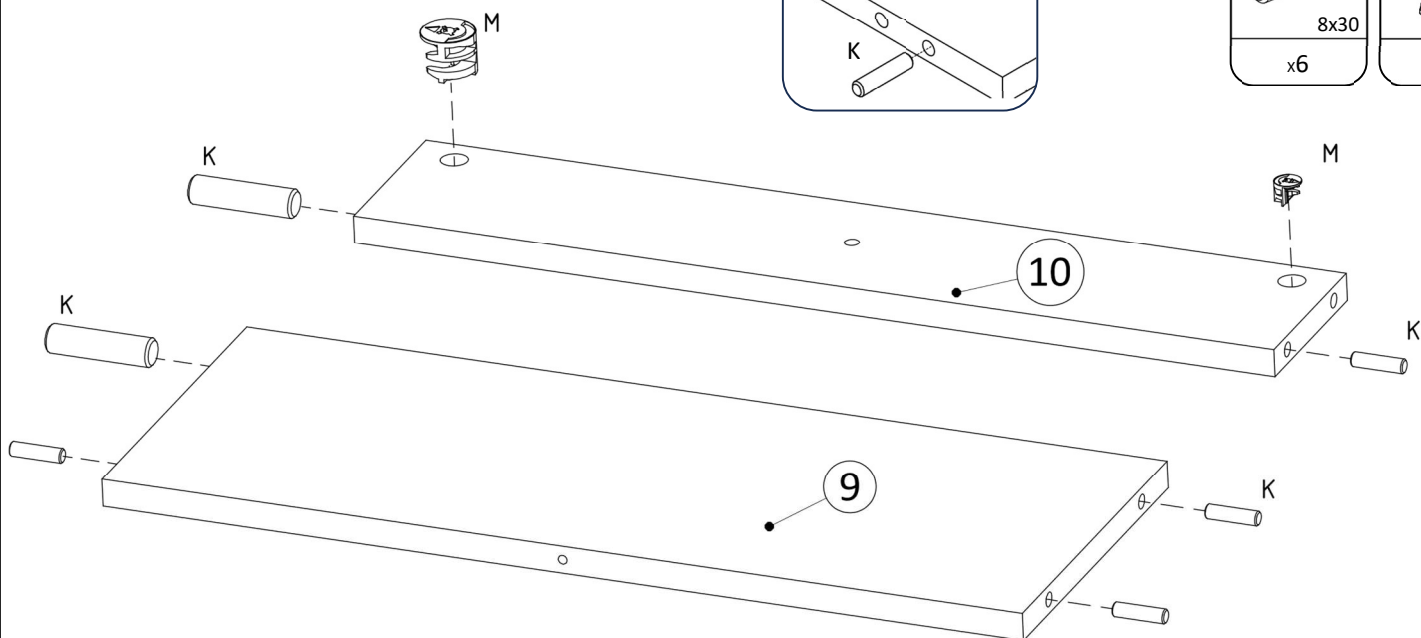
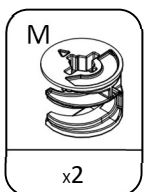
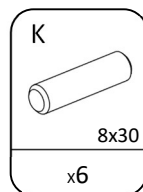
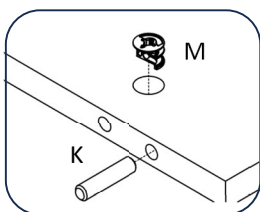
M1



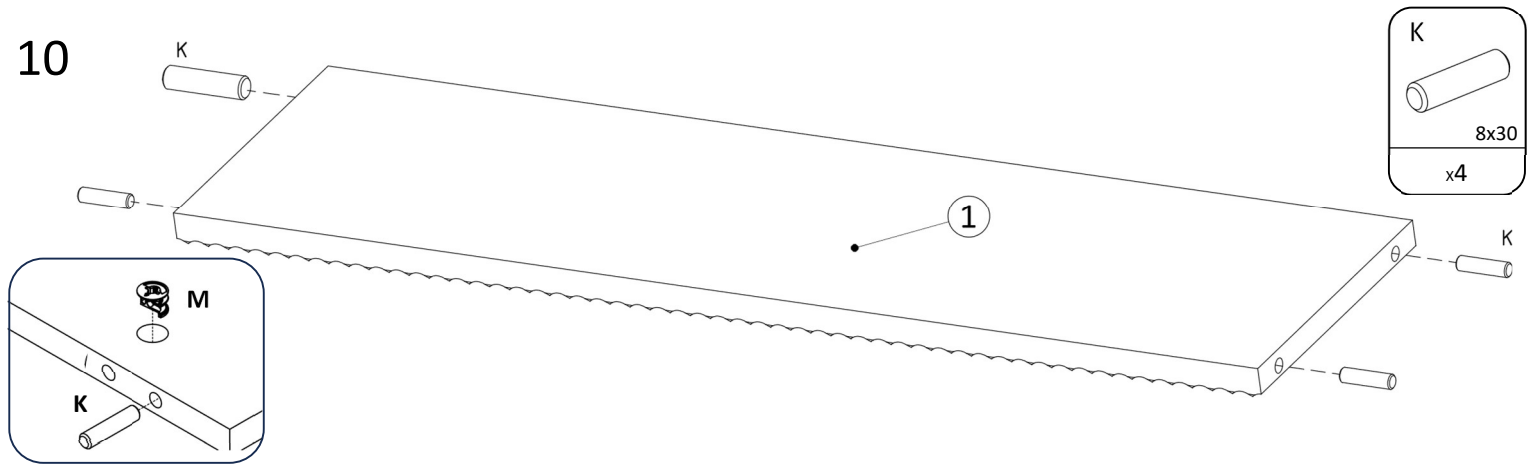
8



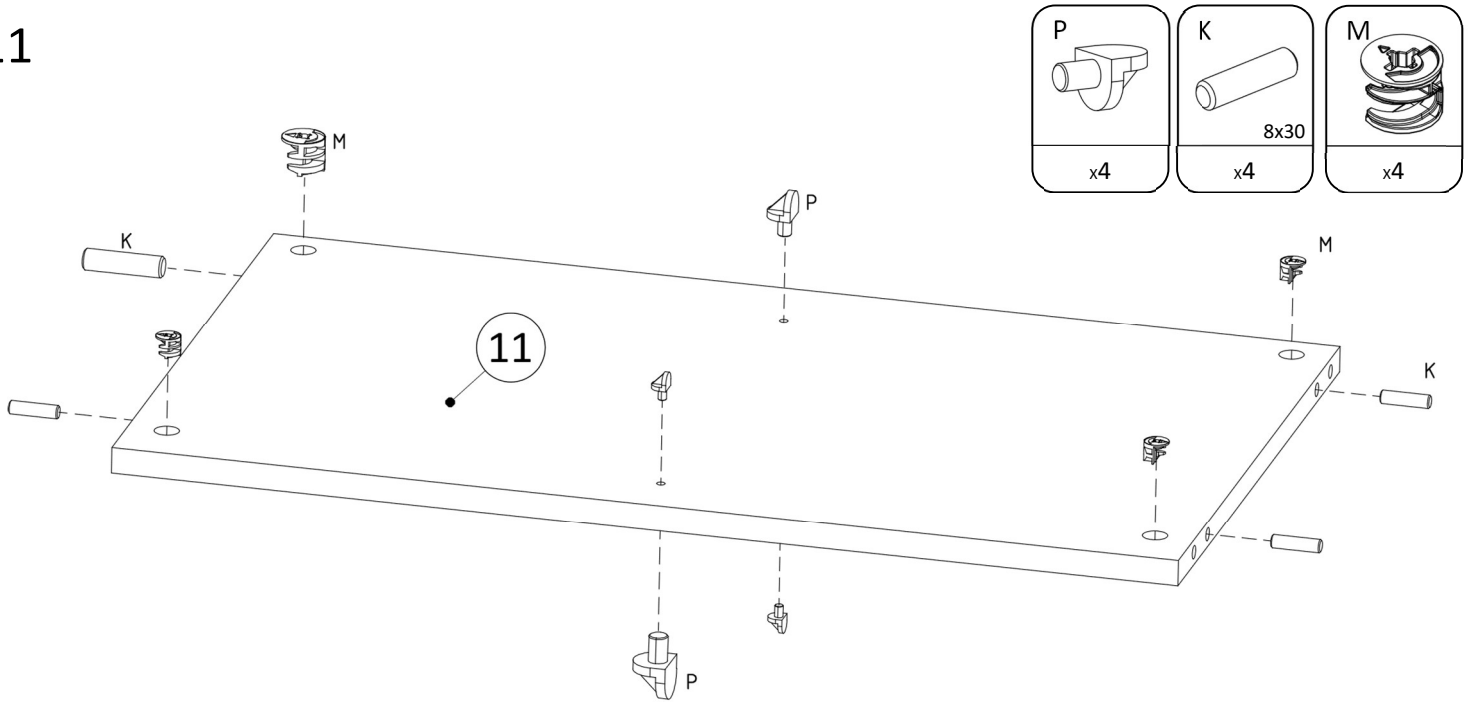
9



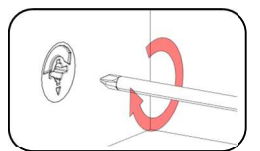
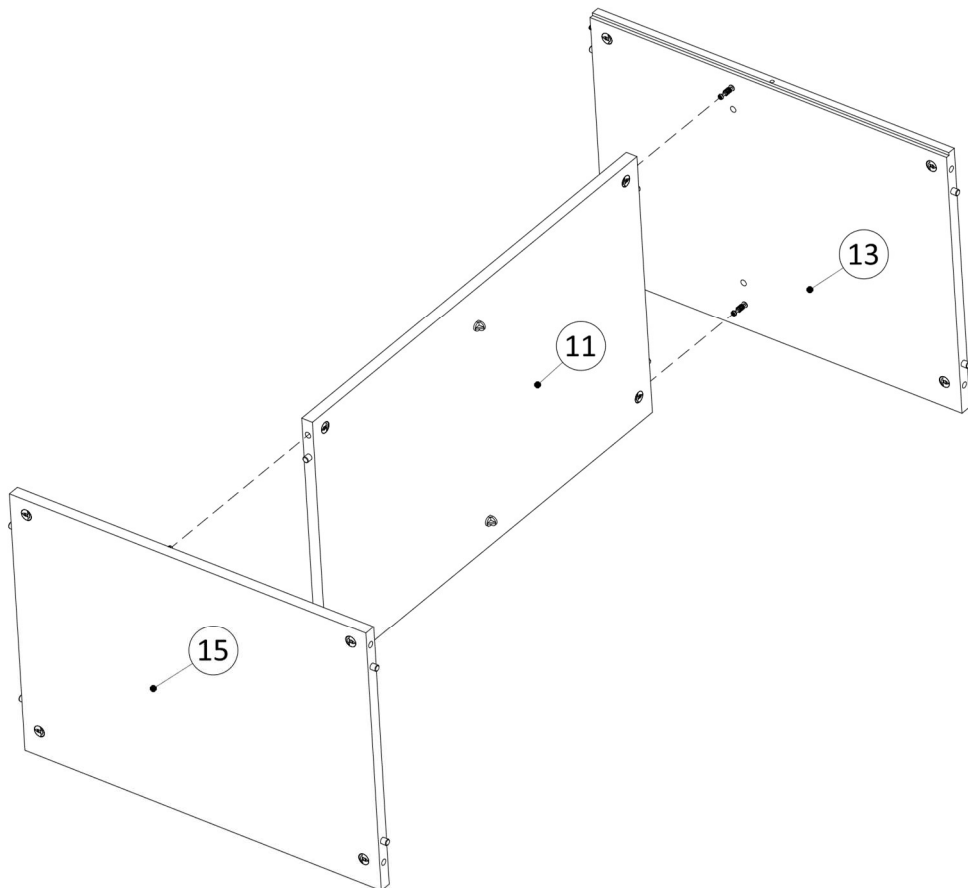
10



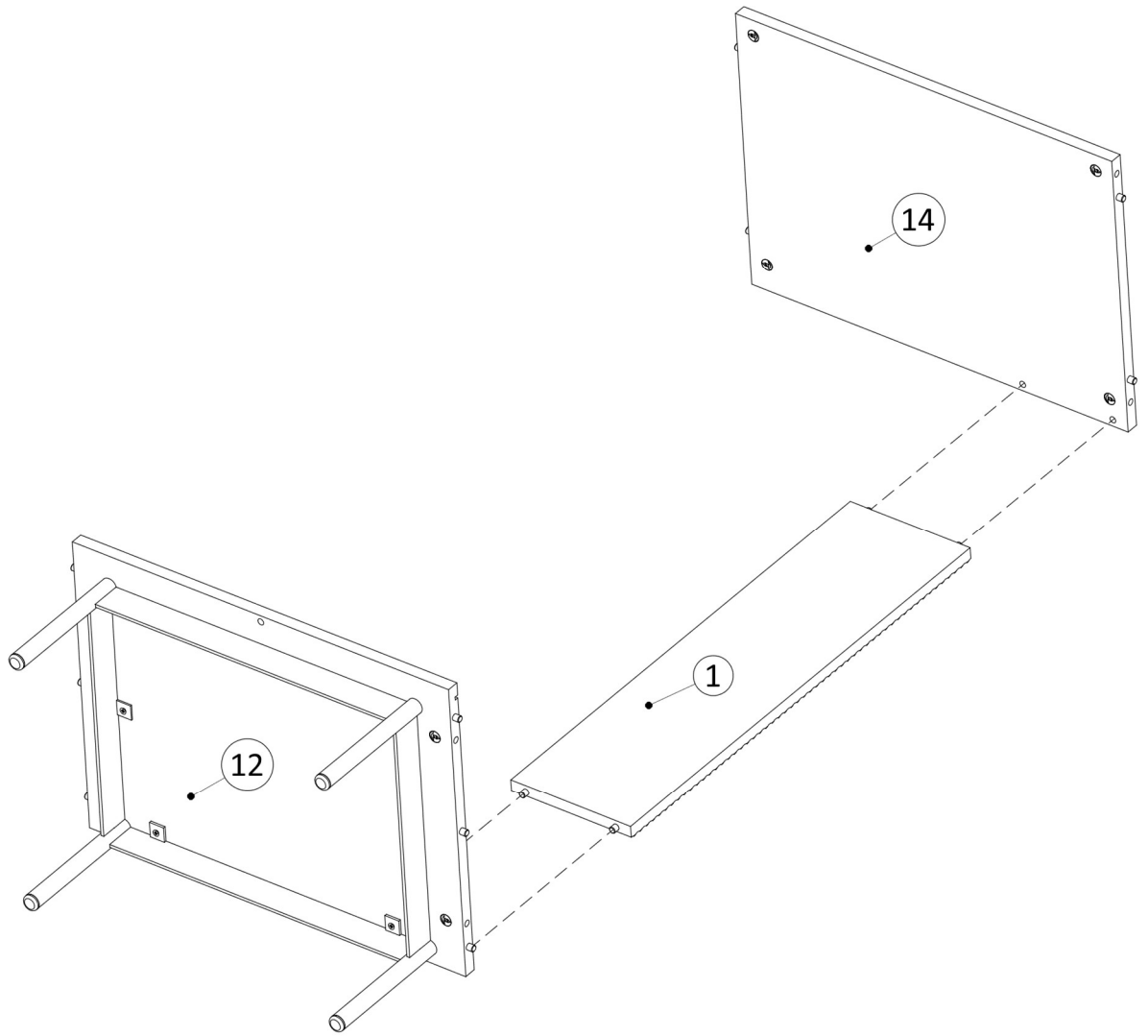
11



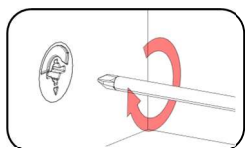
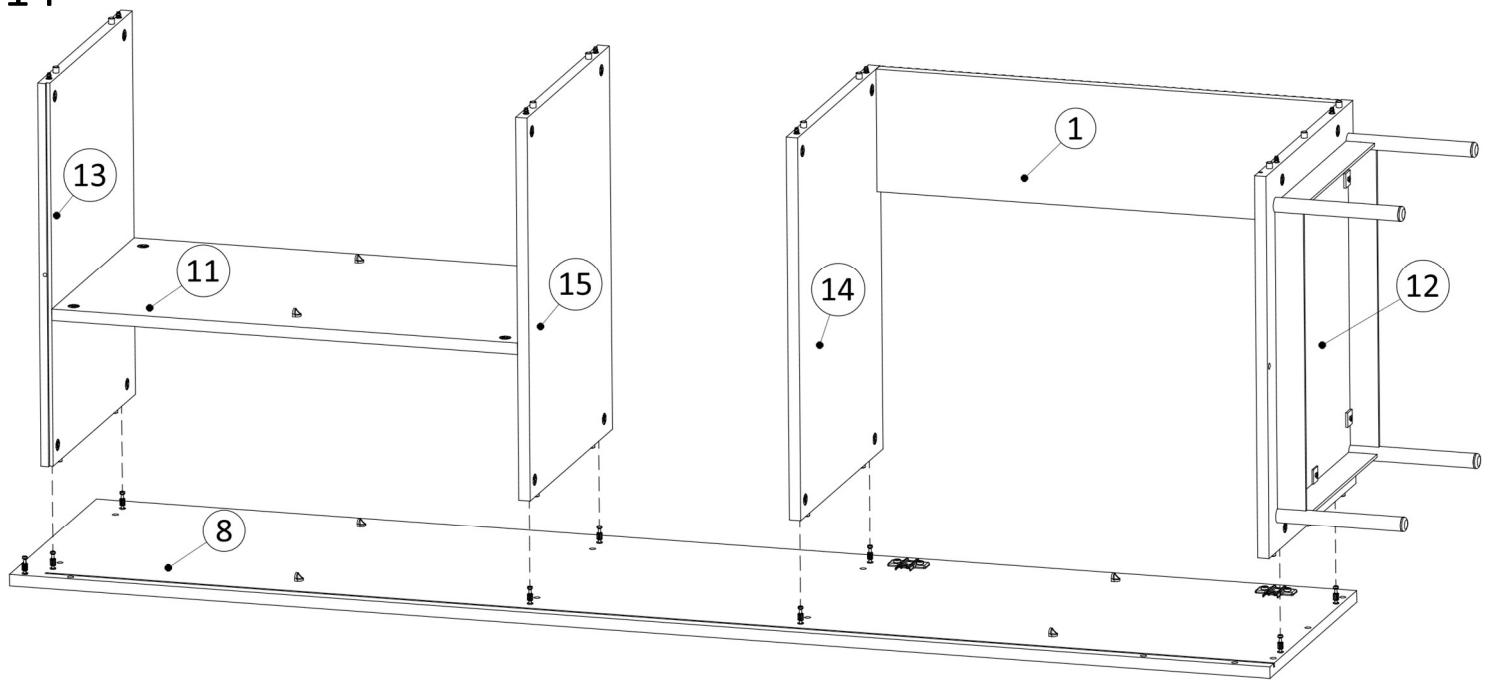
12



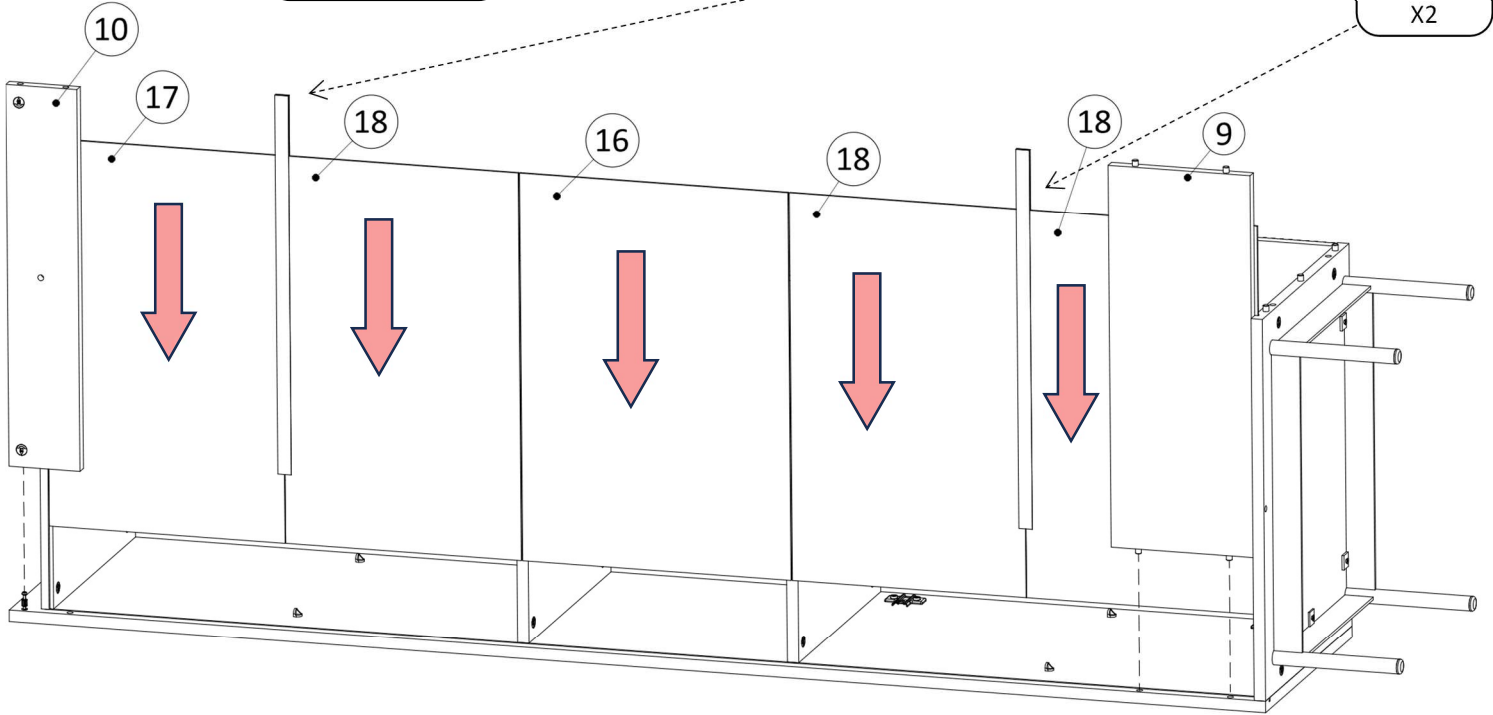
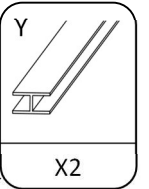
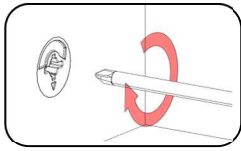
13



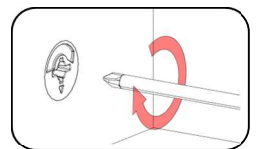
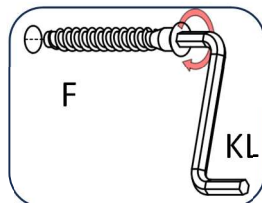
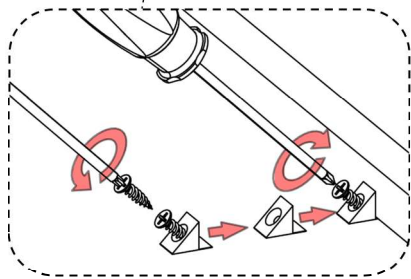
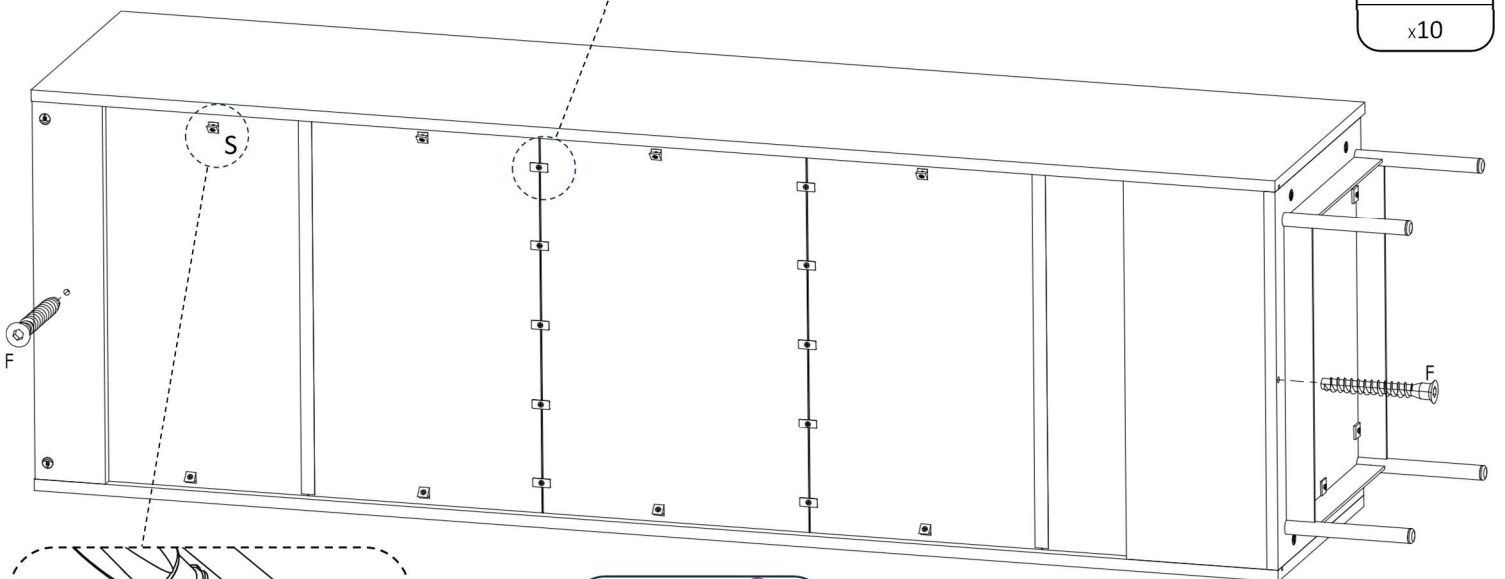
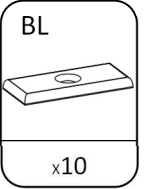
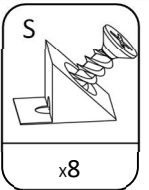
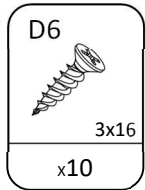
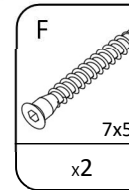
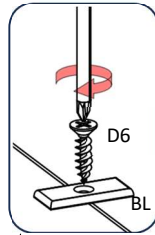
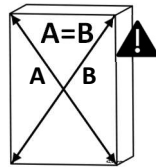
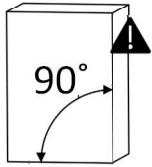
14



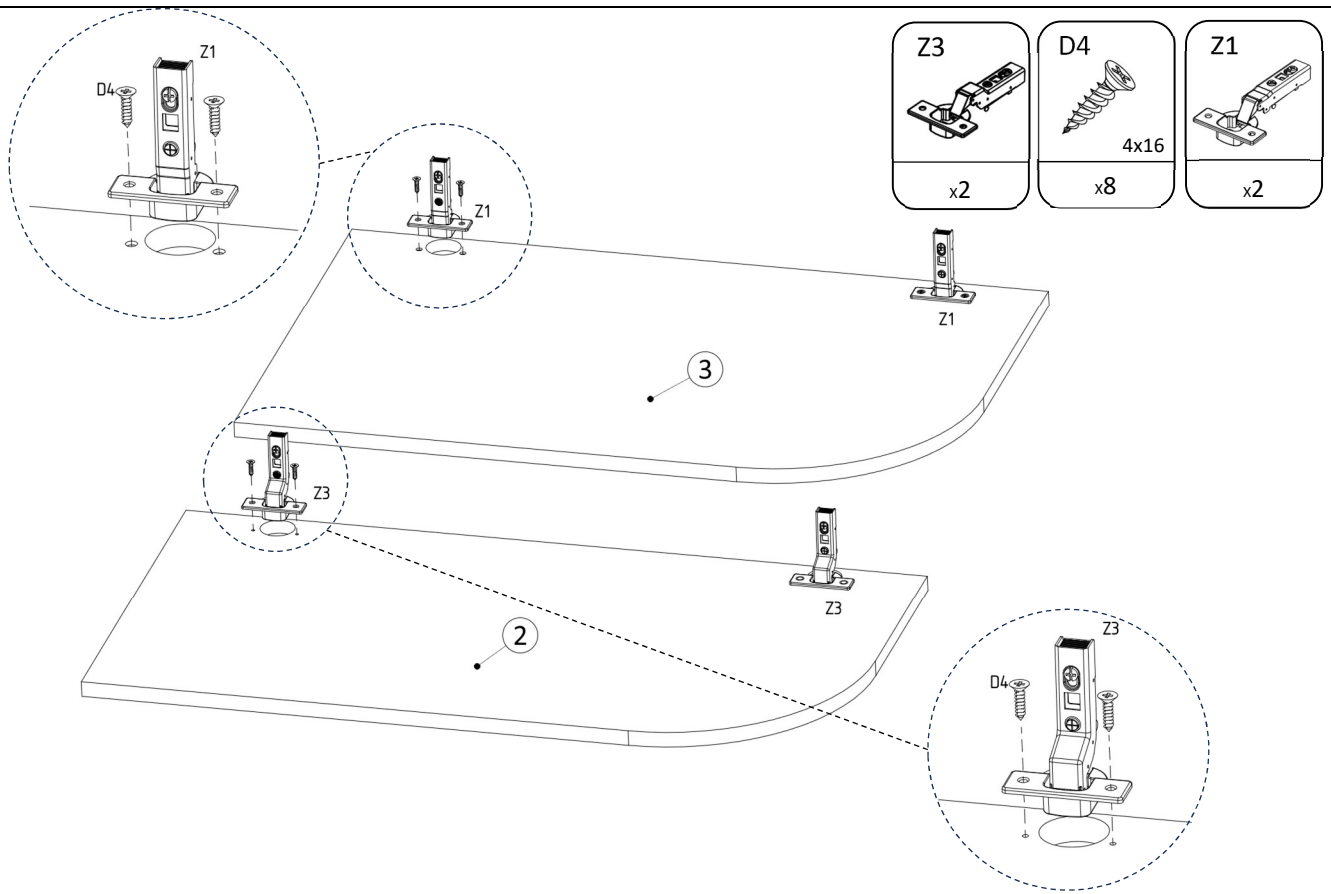
15



16



17



18

