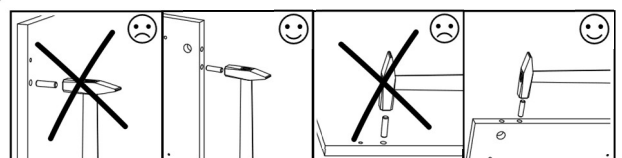
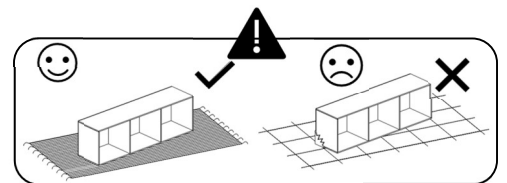
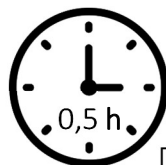
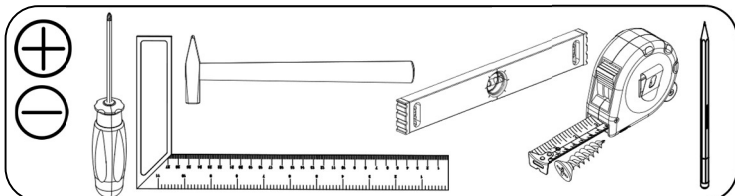
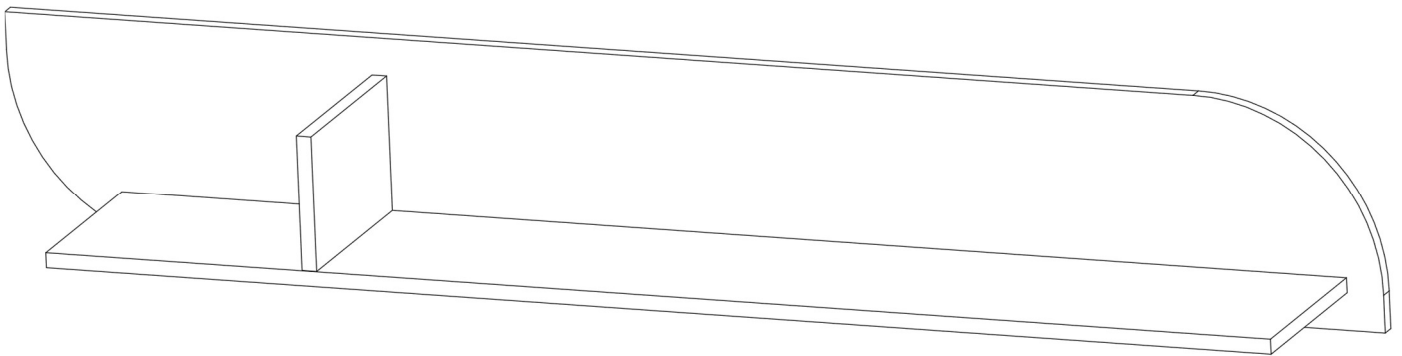
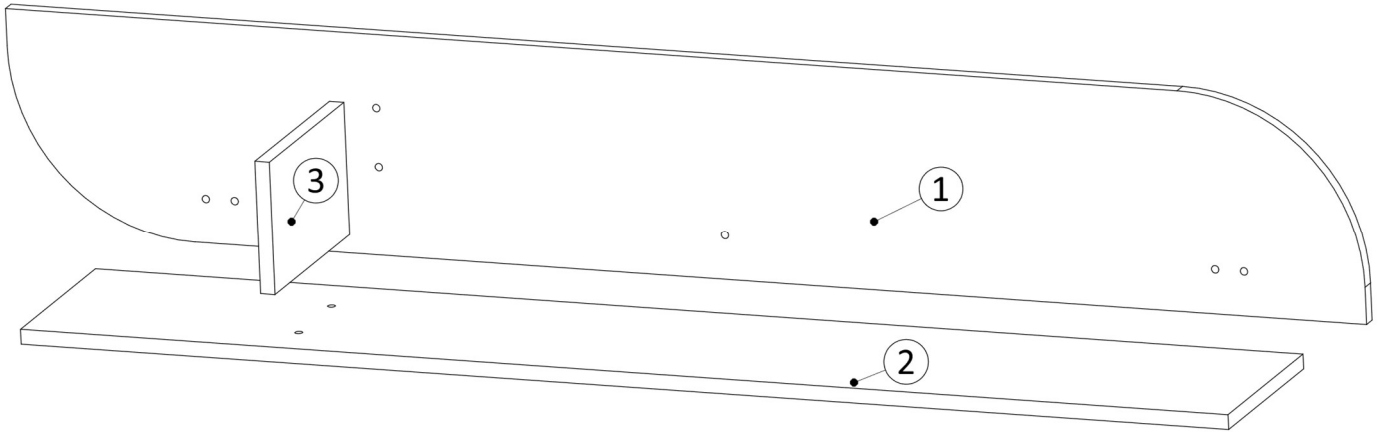


# CARMEN

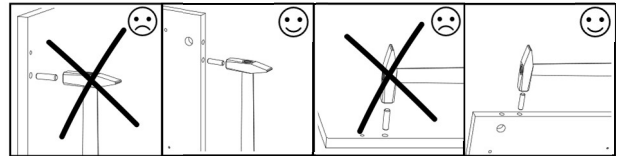
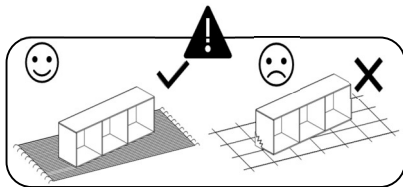
R-14/R-15





R-14				
No	T(mm)	L(mm)	W(mm)	pcs.
1	16	1500	240	1
2	16	1340	220	1
3	16	219	144	1

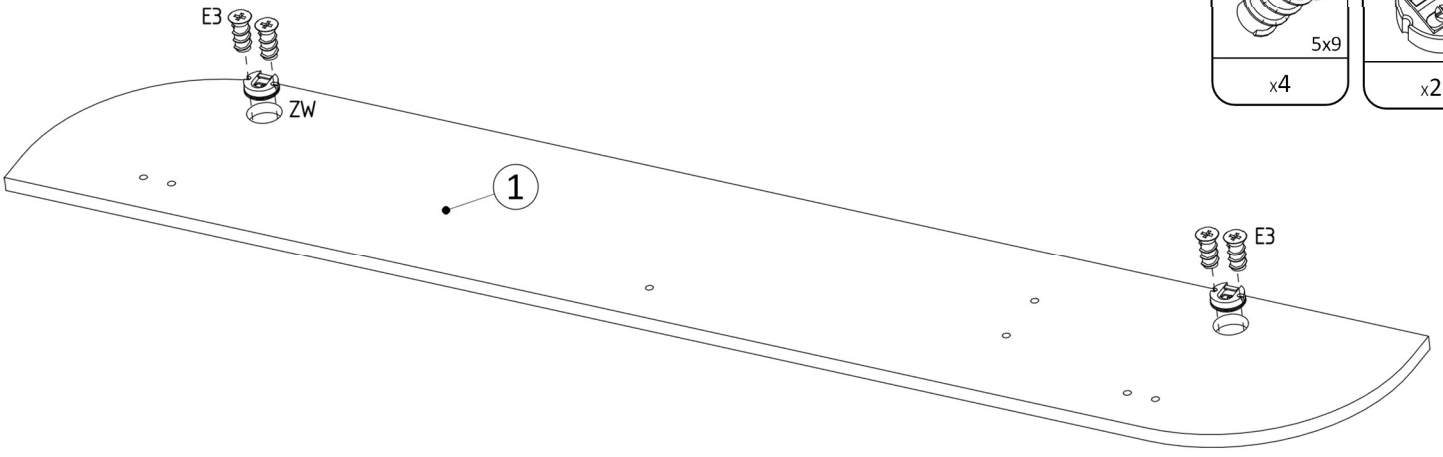
R-15				
No	T(mm)	L(mm)	W(mm)	pcs.
1	16	1200	240	1
2	16	1040	220	1
3	16	219	144	1



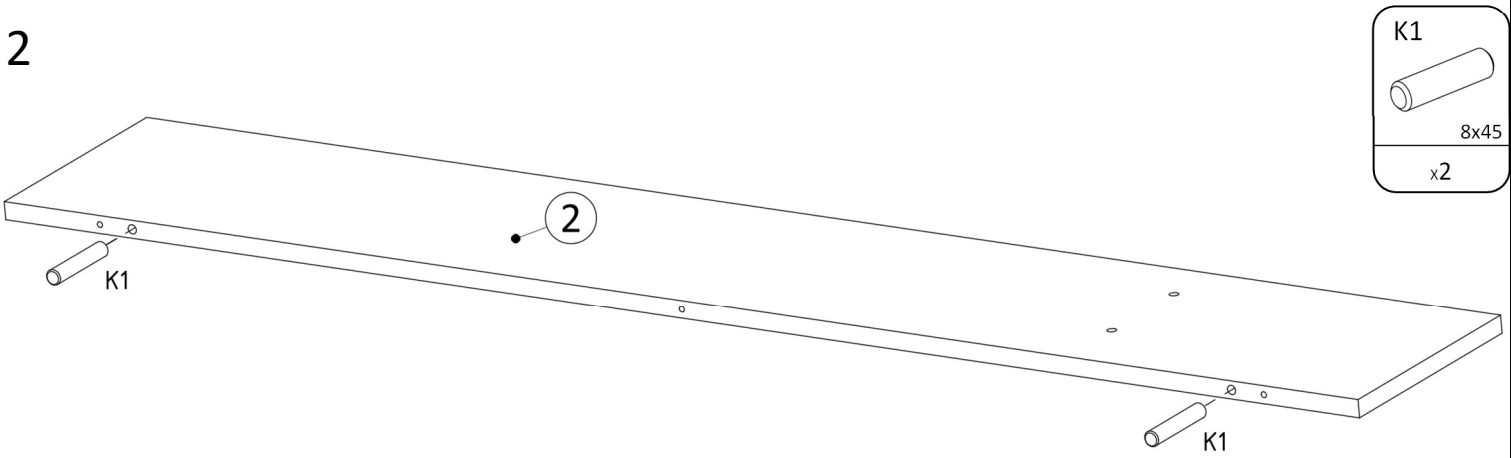
 K1 8x45 x2	 E3 5x9 x4	 ZW x2	 F 7x50 x5	 KL x1	 K 8x30 x2
----------------------	---------------------	--------------	---------------------	--------------	---------------------



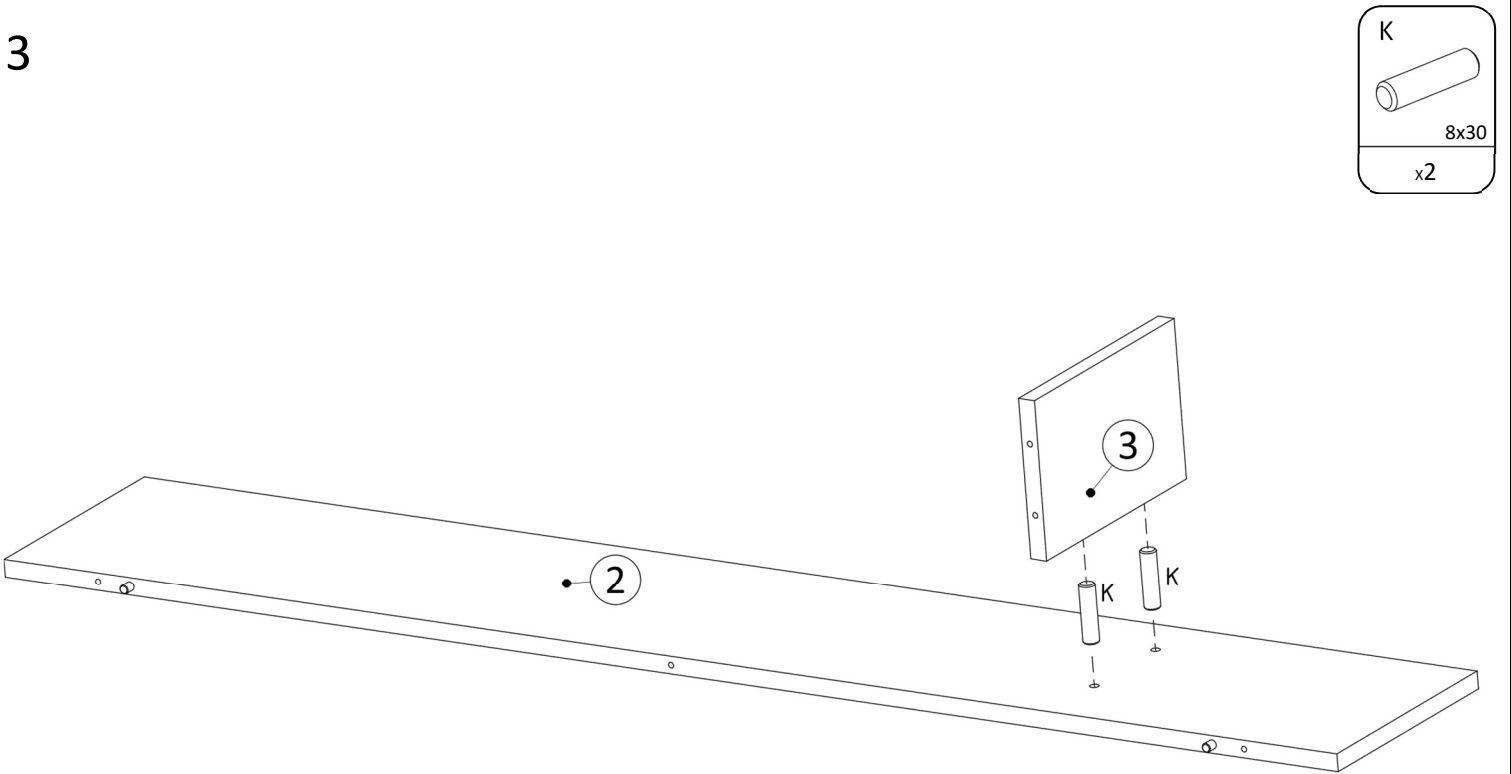
1



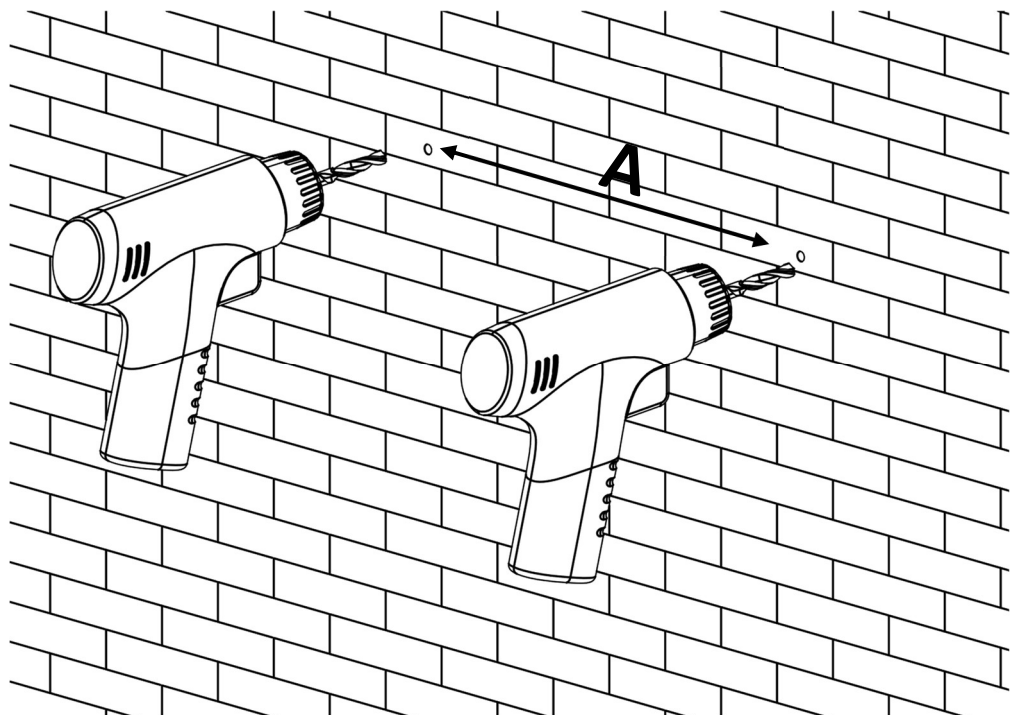
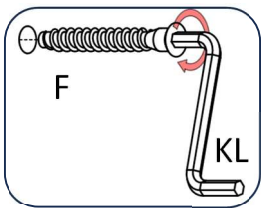
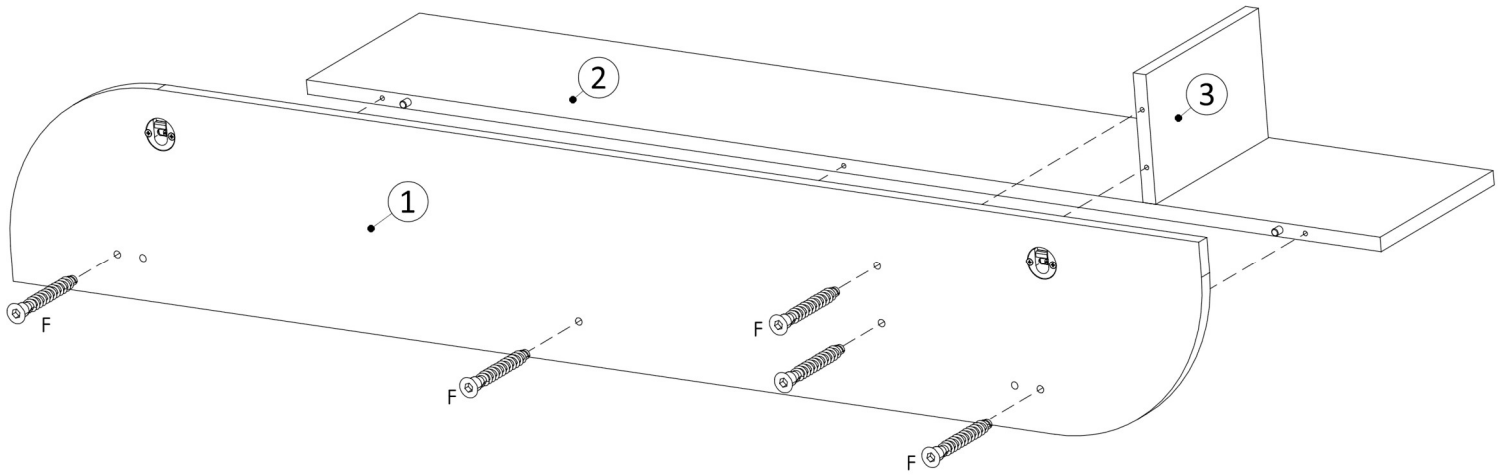
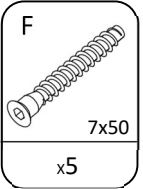
2



3



4



A	(mm)
R-14	1100
R-15	800