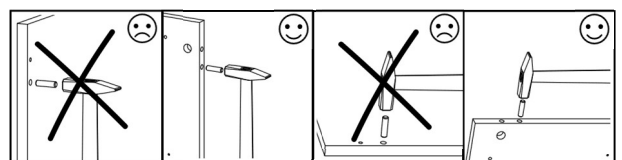
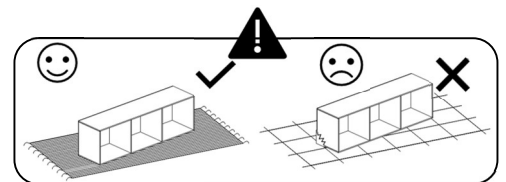
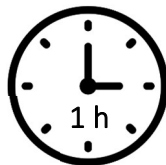
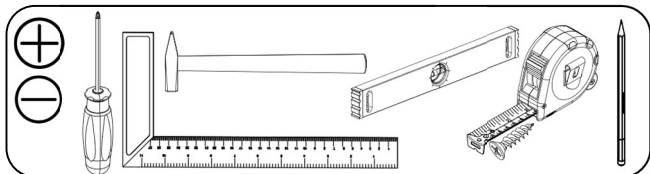
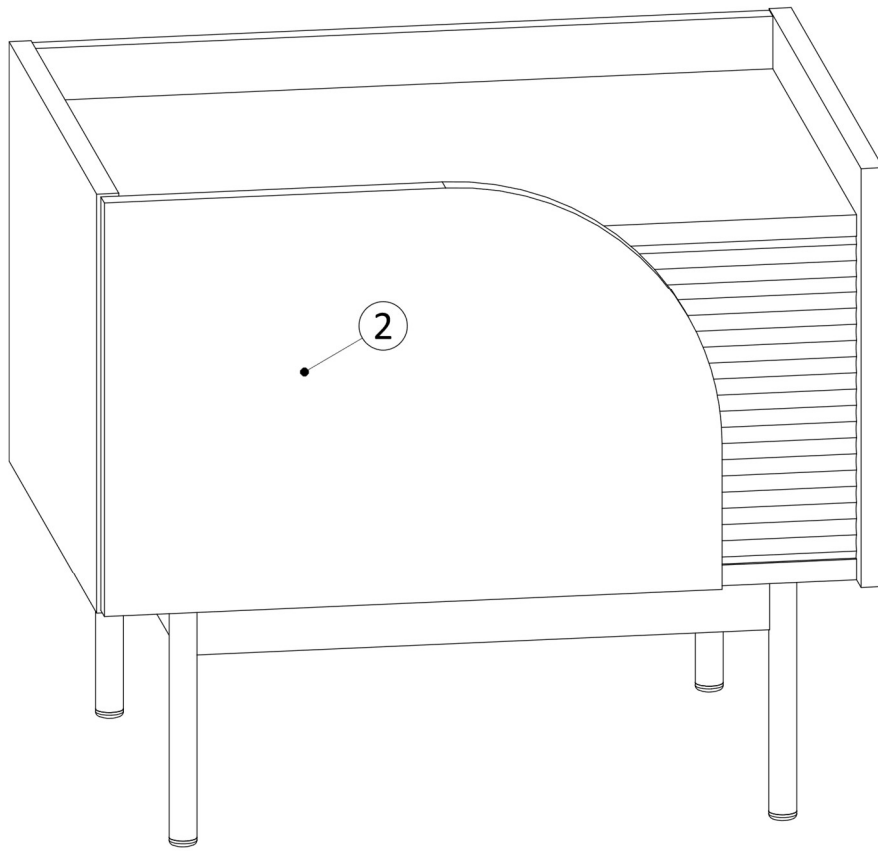
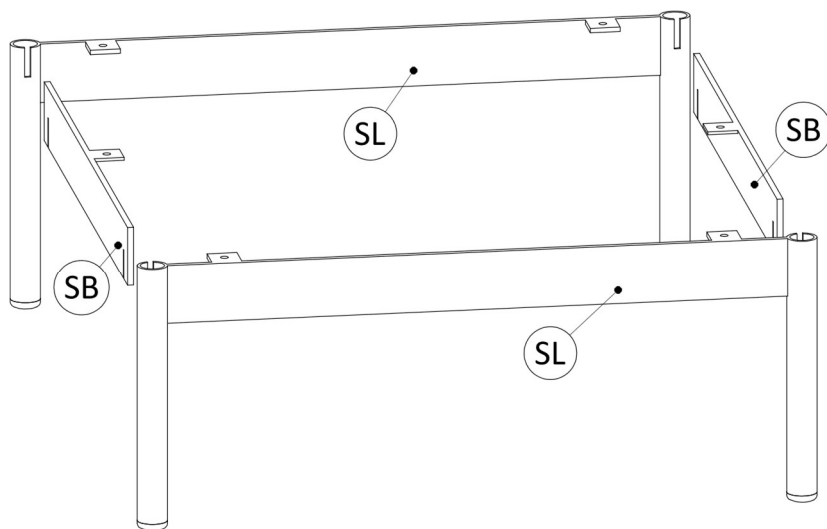
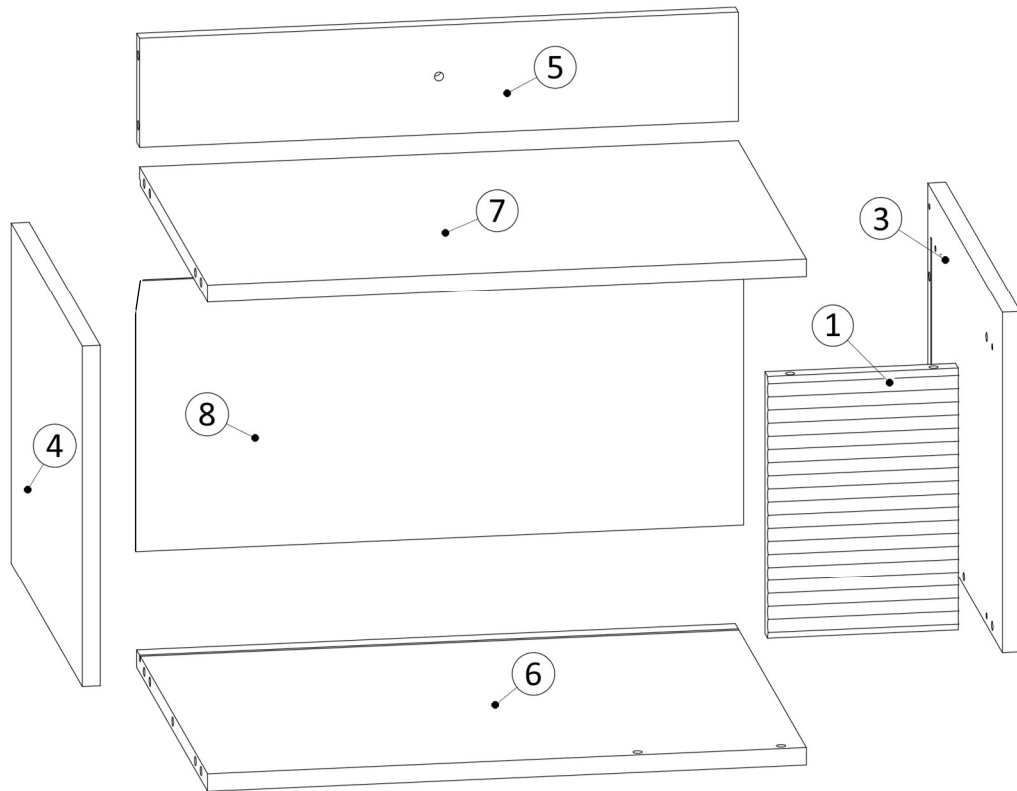


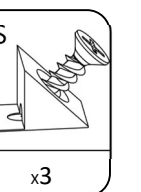
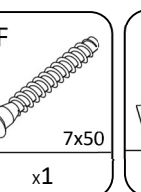
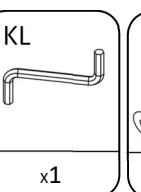
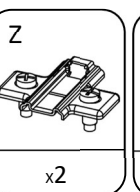
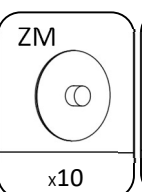
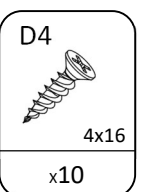
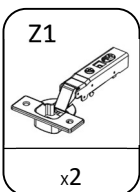
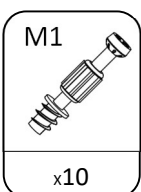
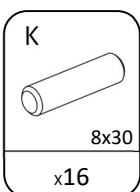
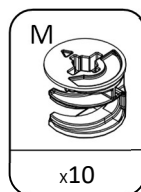
# CARMEN

R-13 L

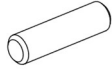



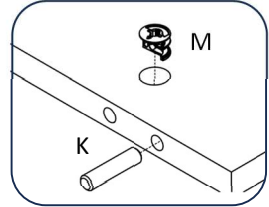
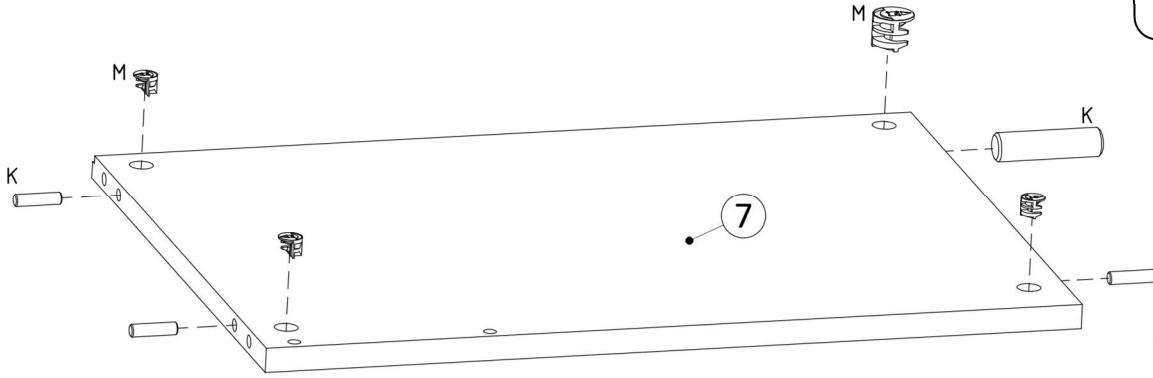


| No | T(mm) | L(mm) | W(mm) | pcs. |
|----|-------|-------|-------|------|
| 1  | 18    | 240   | 170   | 1    |
| 2  | 16    | 447   | 308   | 1    |
| 3  | 16    | 420   | 312   | 1    |
| 4  | 16    | 400   | 312   | 1    |
| 5  | 16    | 534   | 100   | 1    |
| 6  | 16    | 534   | 400   | 1    |
| 7  | 16    | 534   | 383   | 1    |
| 8  | 3     | 542   | 248   | 1    |

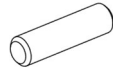



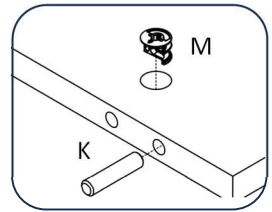
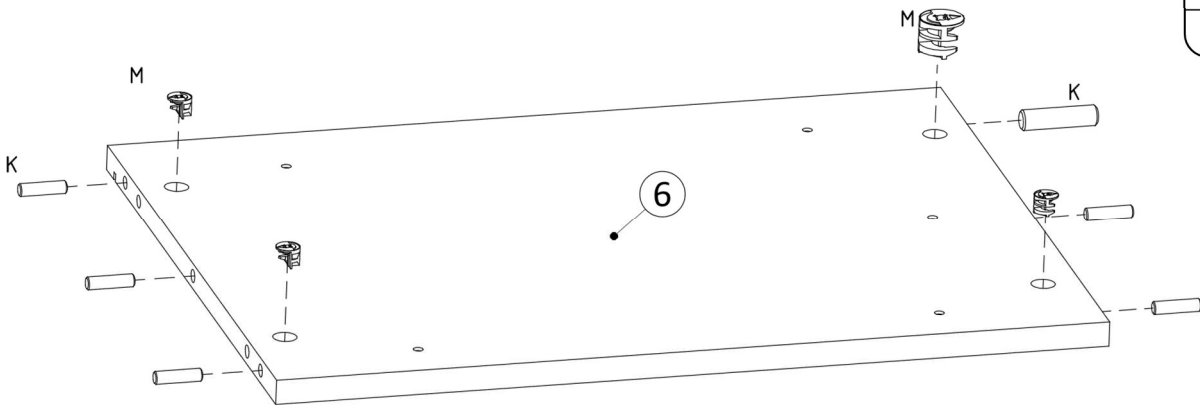
1

|   |  |
|---|--|
| K   | M  |
|  |  |
| 8x30  |  |
| x4  | x4   |




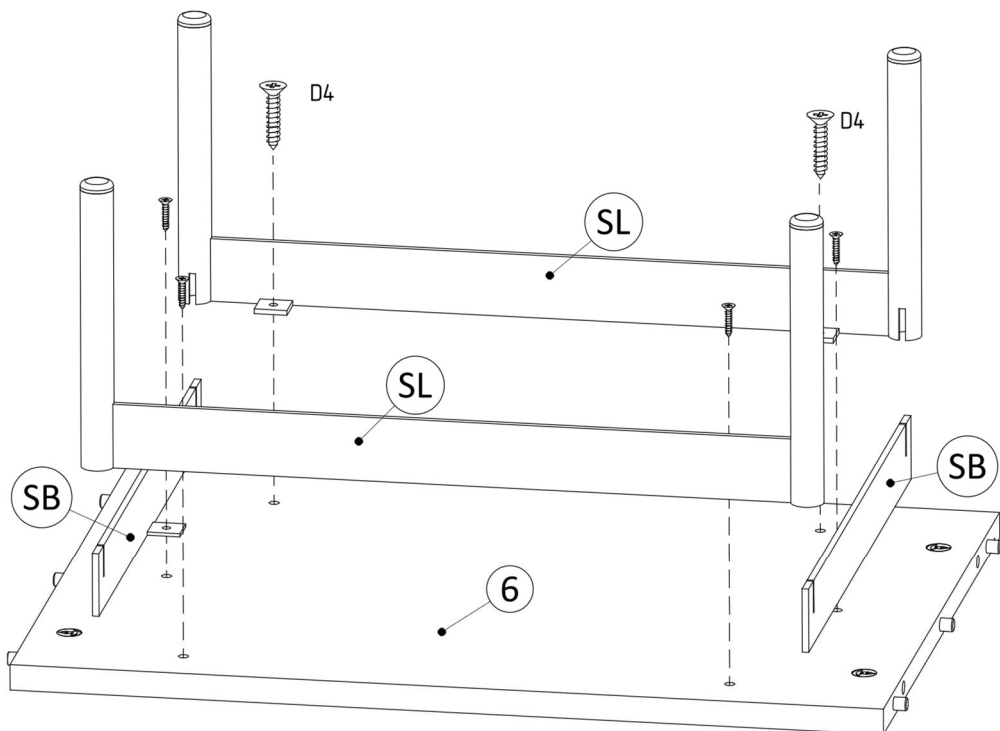
2

|   |   |
|---|---|
| K   | M   |
|  |  |
| 8x30  |   |
| x6  | x4  |



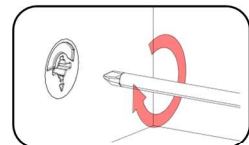
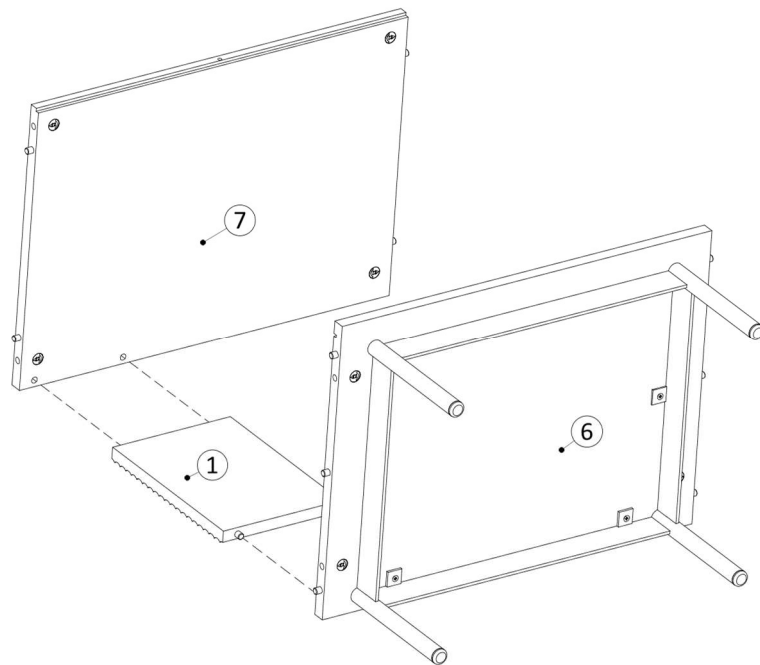
3

|   |
|---|
| D4  |
|  |
| 4x16  |
| x6  |

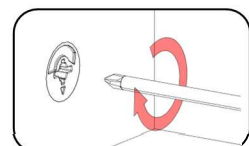
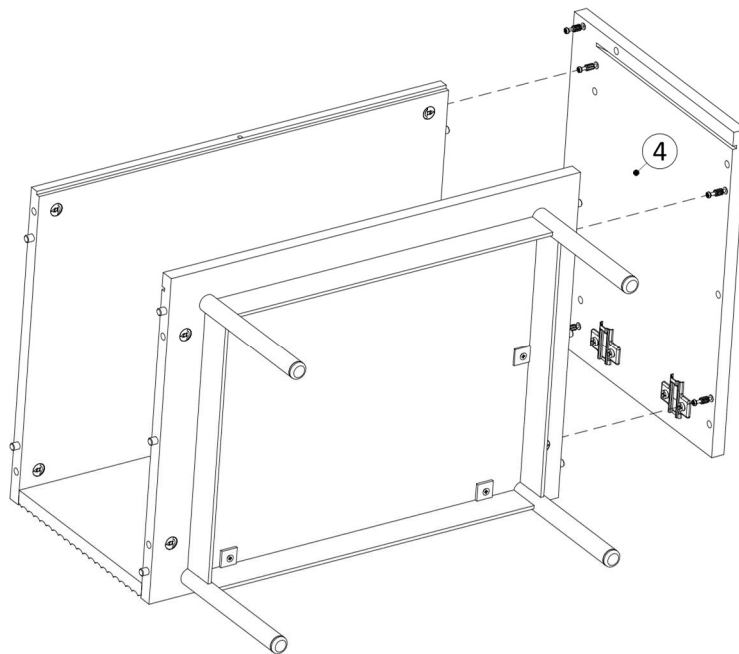




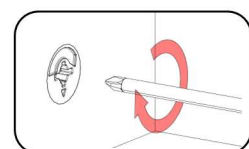
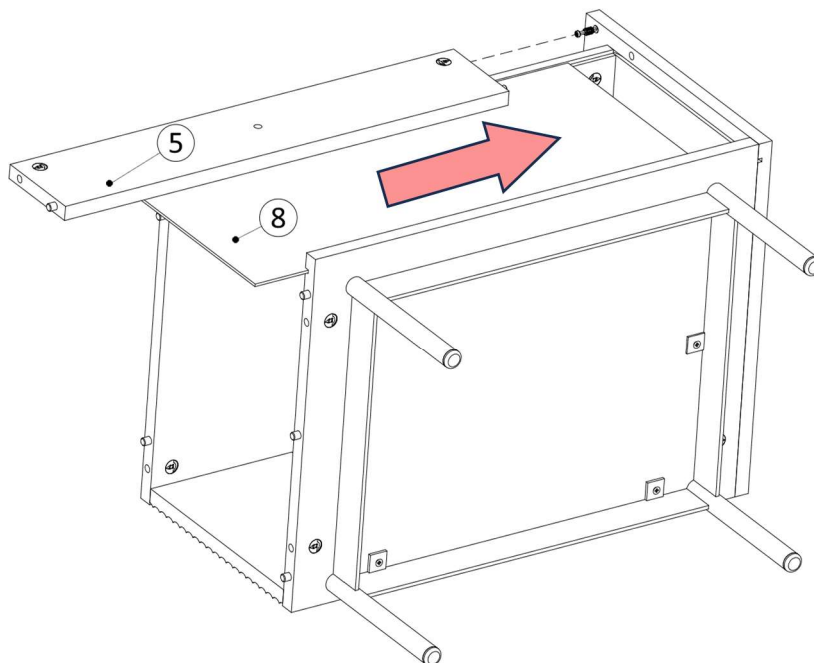
7



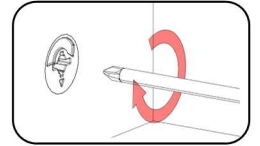
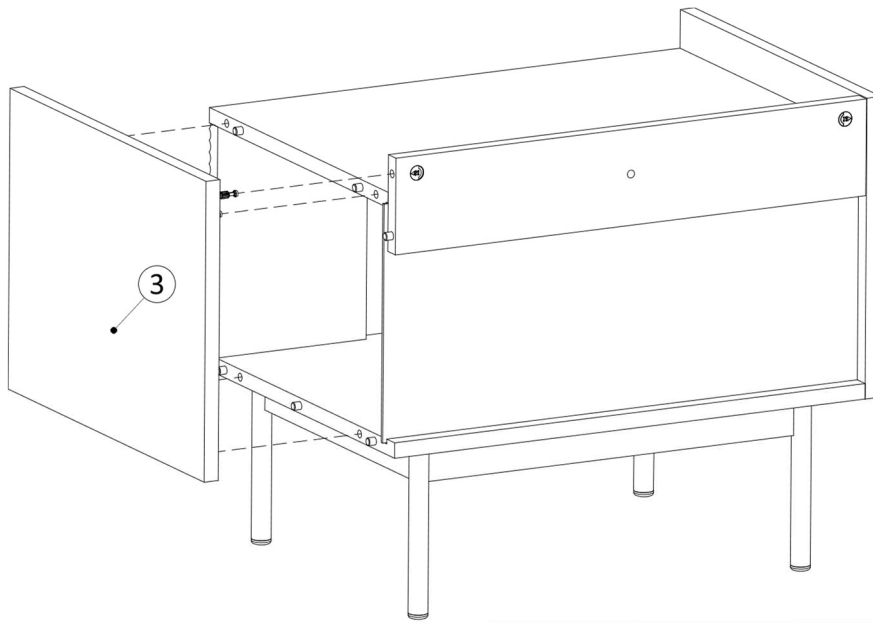
8



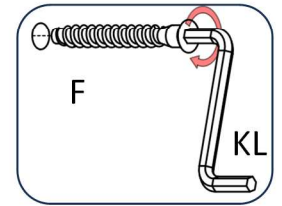
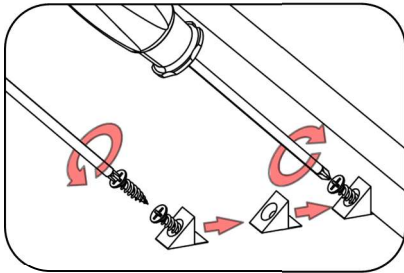
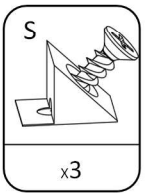
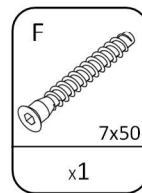
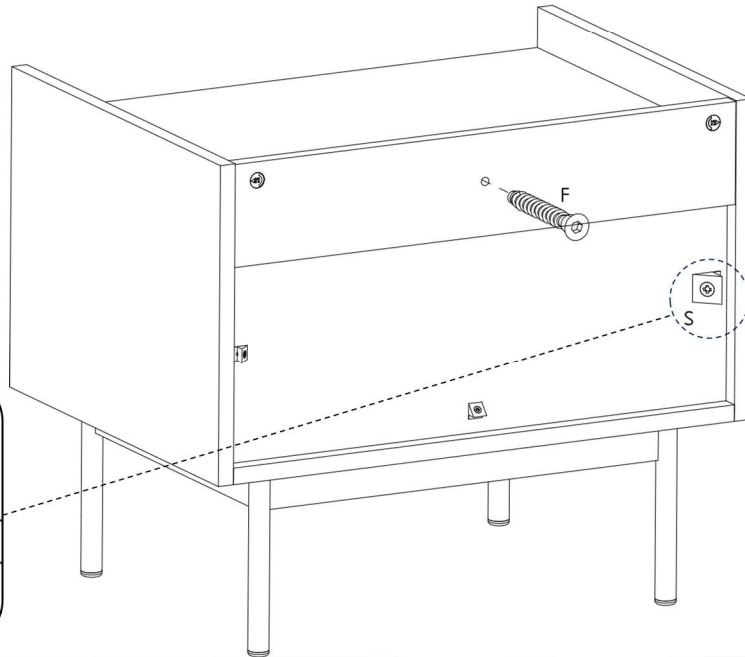
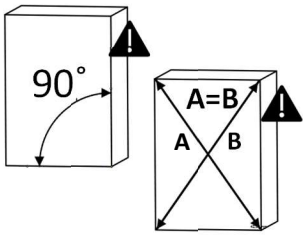
9



10



11



12

