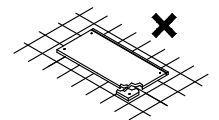
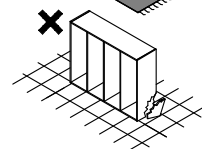
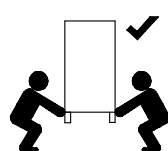
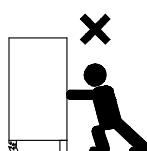
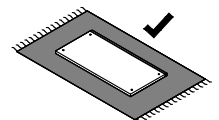
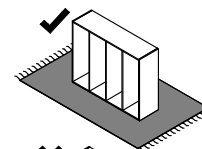
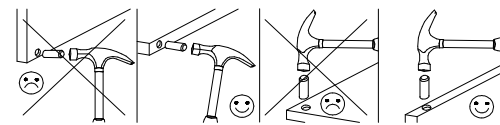
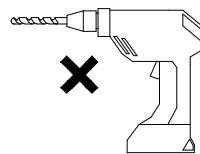
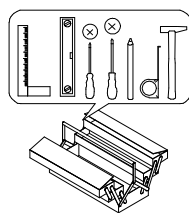
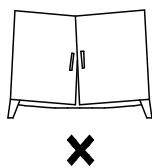
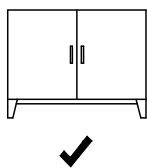
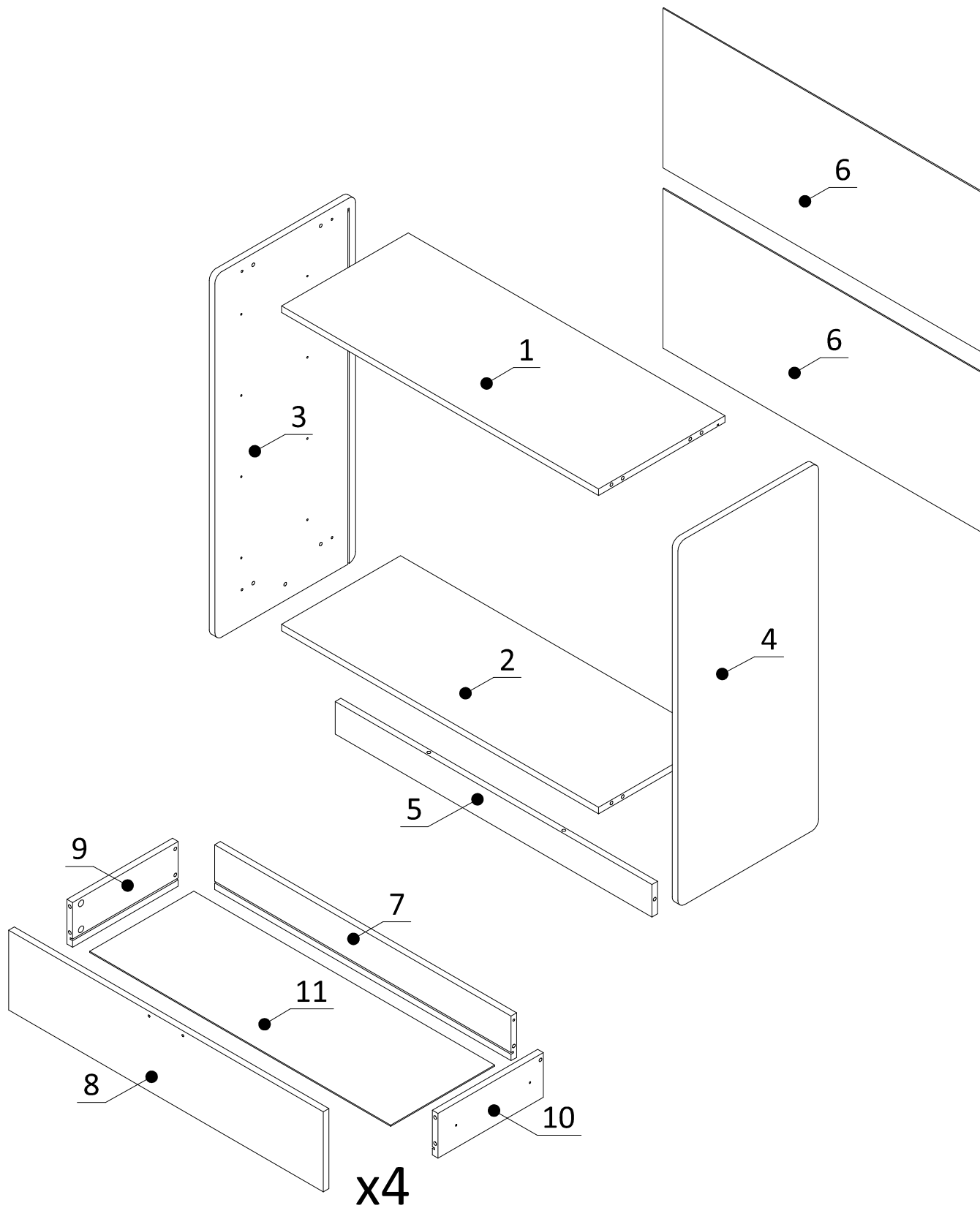


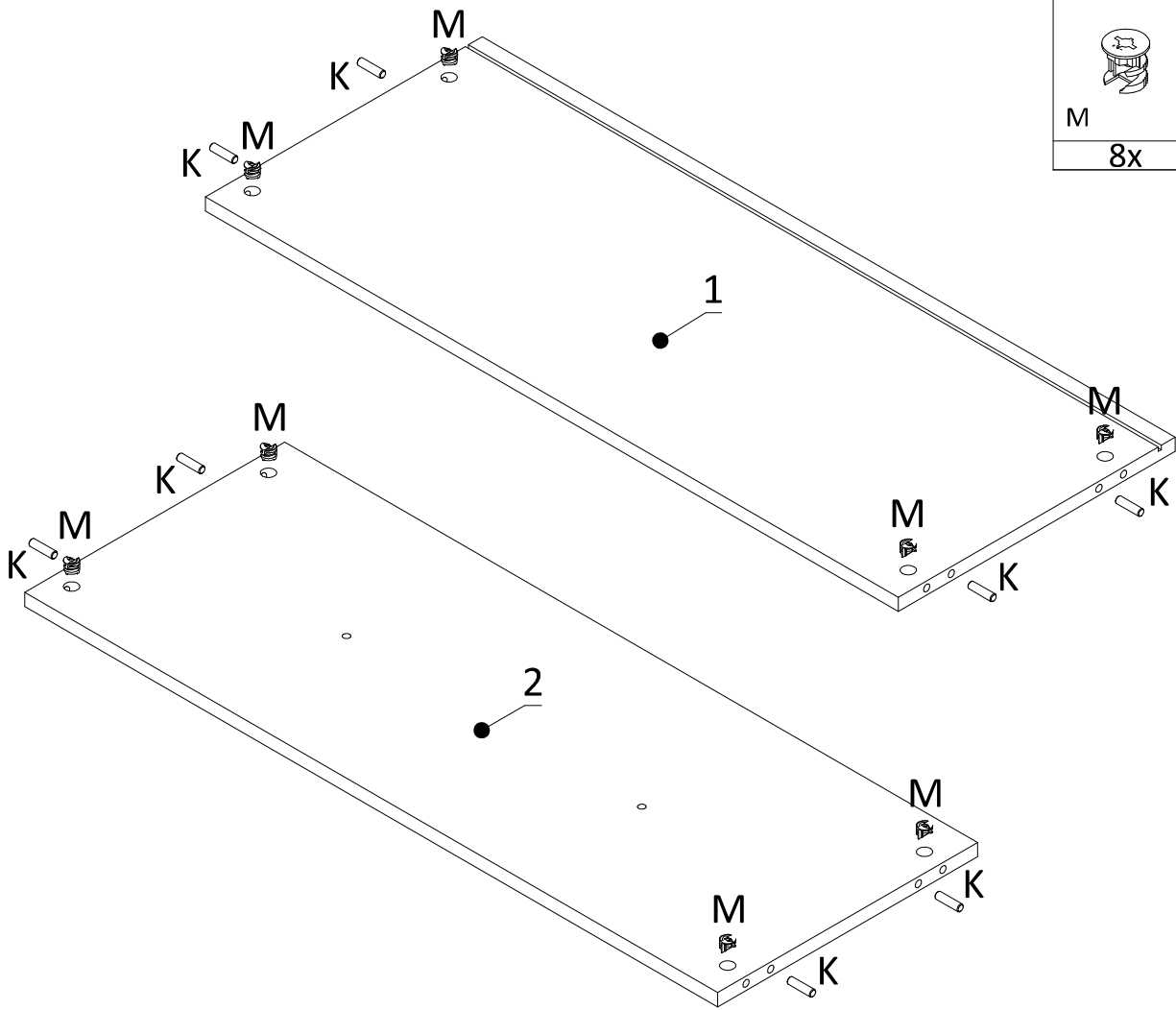
# LEXI R-10


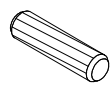




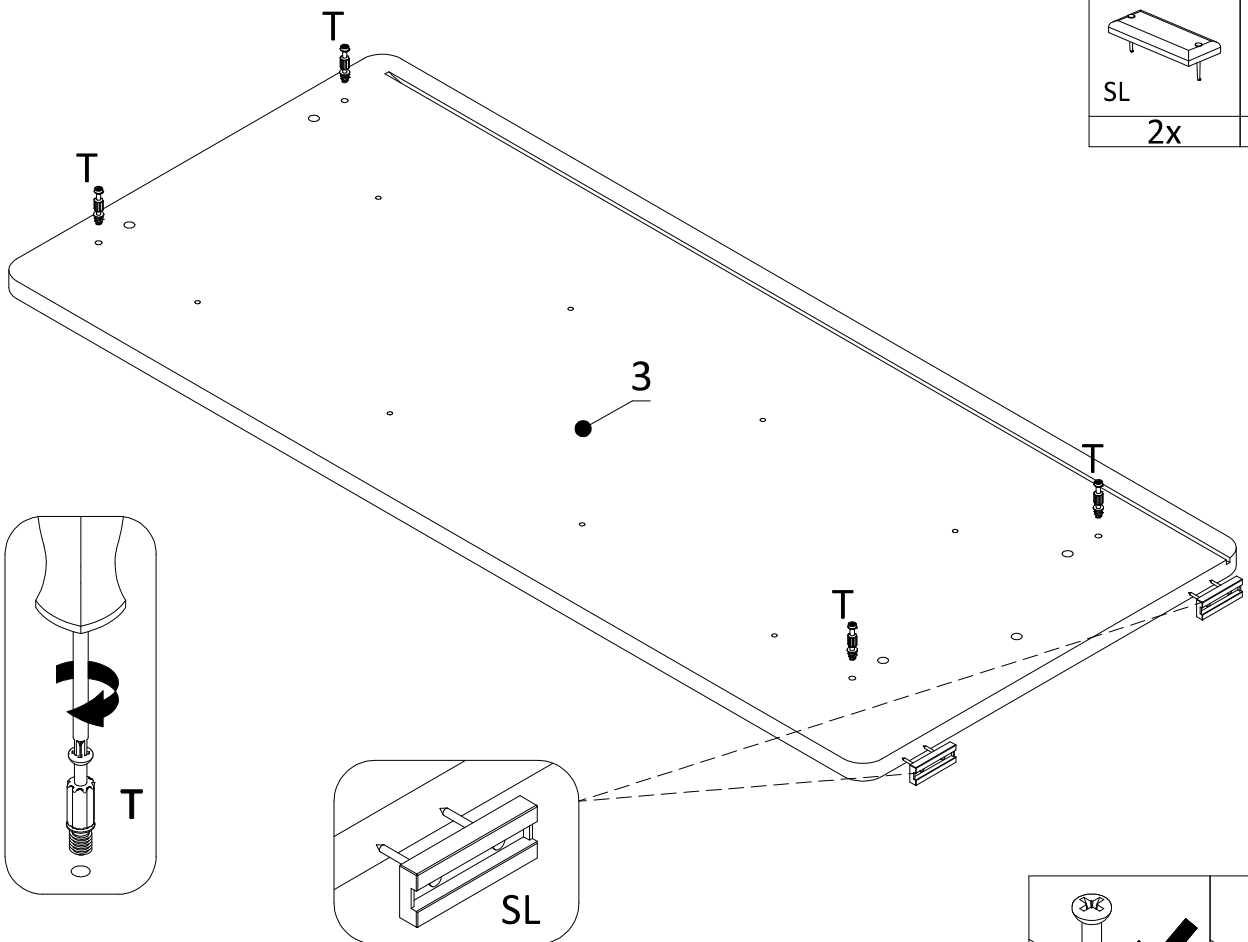
 E1 5x13 32x	 KF 7x50 8x	 K 8x30 20x	 M 15/12 24x	 T L20,3 24x	 4x PK-0H35-300	 PS 1x				
 W1 3x13 8x	 W6 4x30 8x	 U 8x	 KL SW4 1x	 ZM 24x	 H 1x	 WS L300 4x	 S 6x	 G 2x20 8x	 SL 5x	

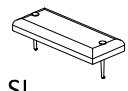
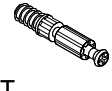
# 1

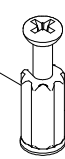



	
M	K
8x	8x

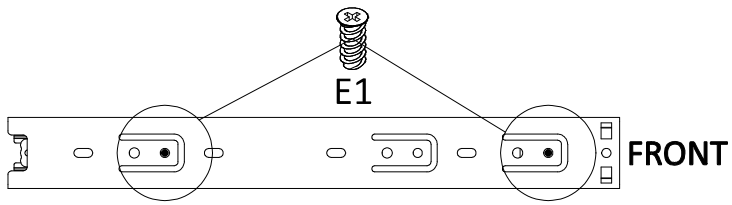
# 2



	
SL	T
2x	4x

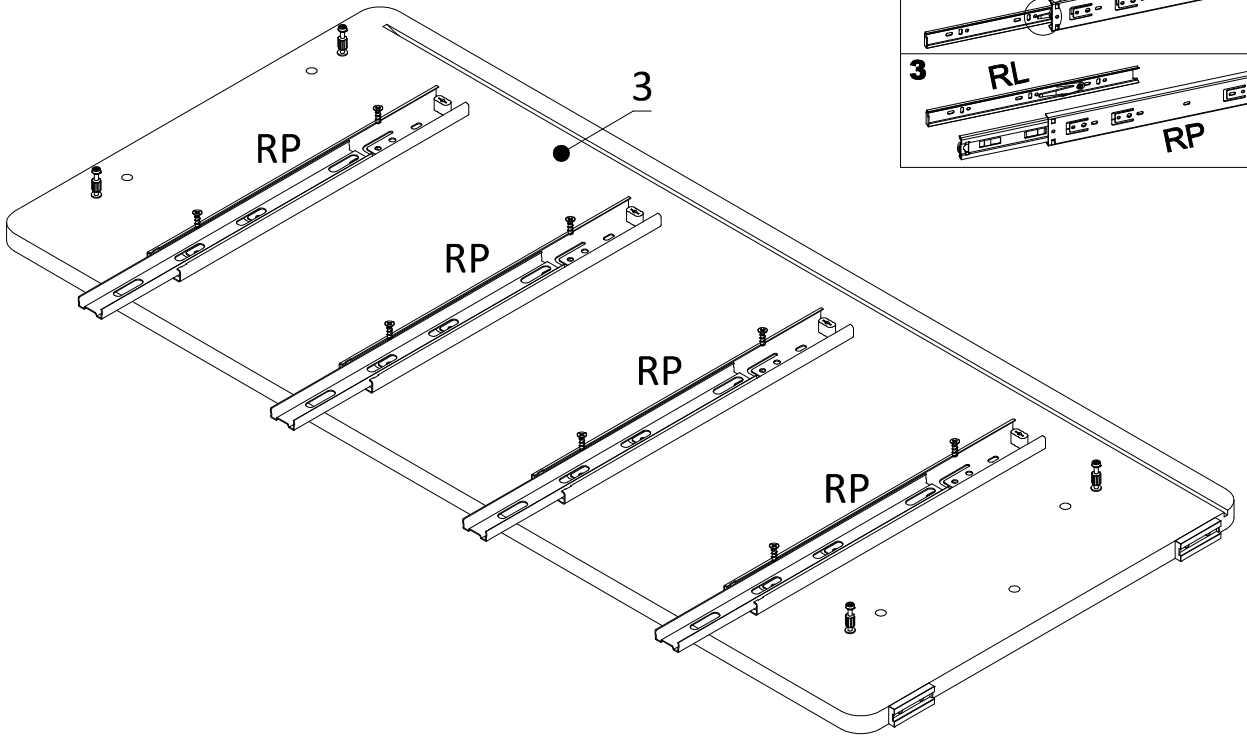
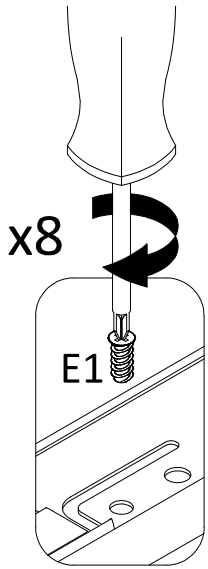
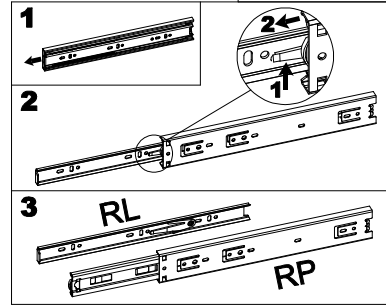
	✓		✗
---	---	---	---

# 3

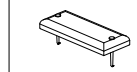


E1

8x

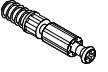


# 4



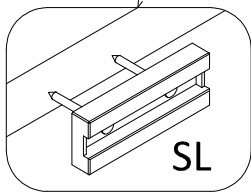
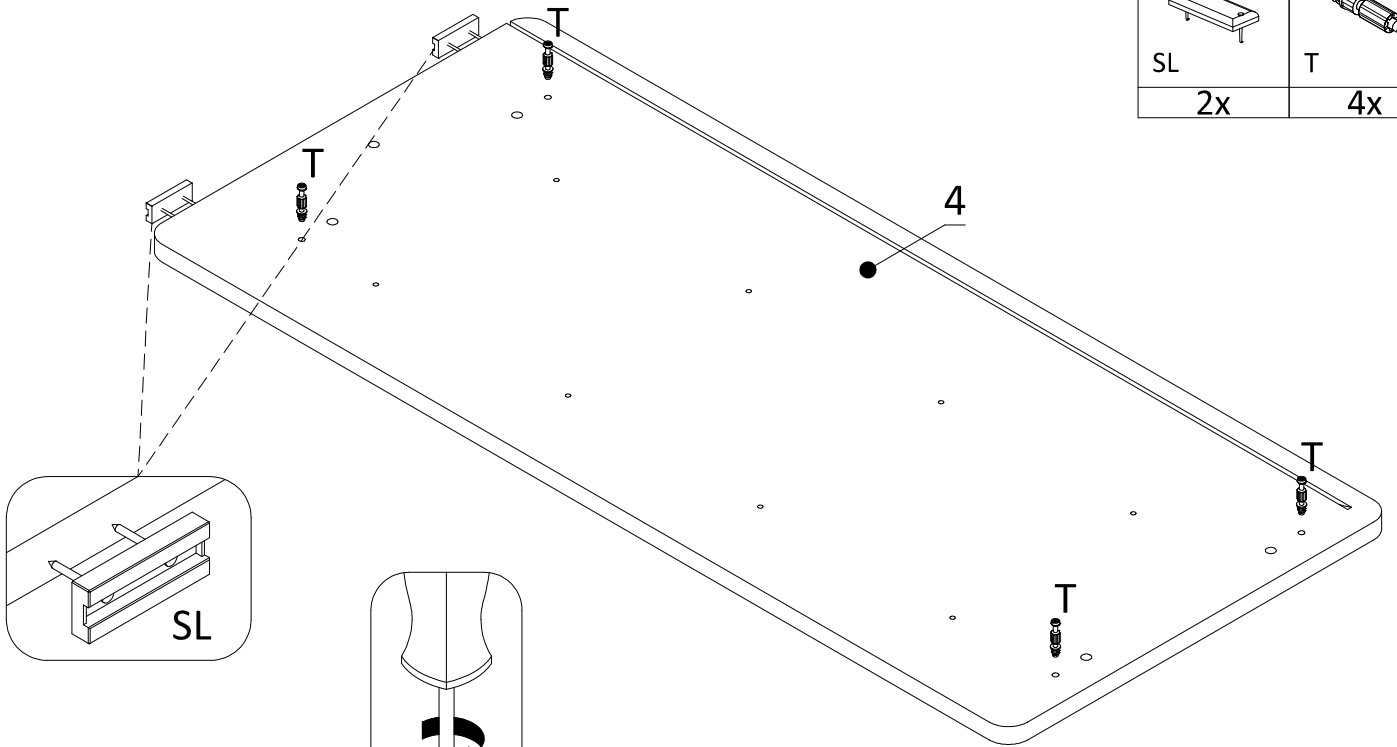
SL

2x

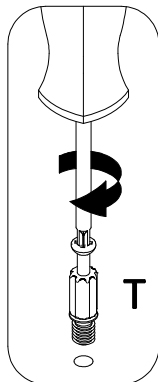


T

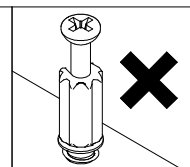
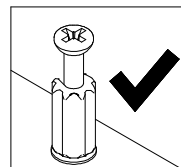
4x



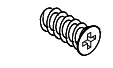
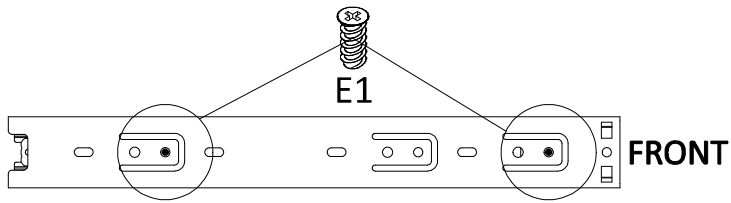
SL



T

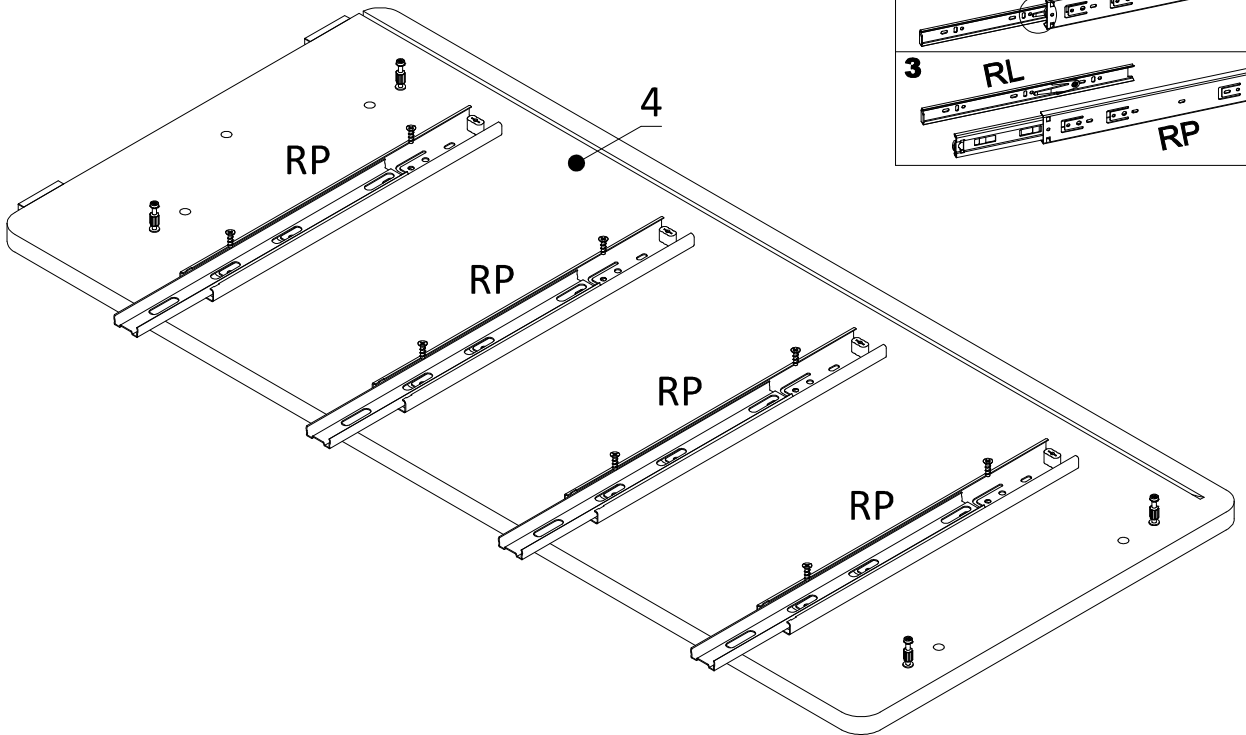
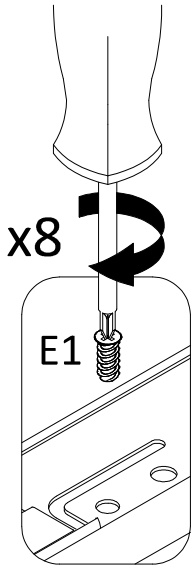
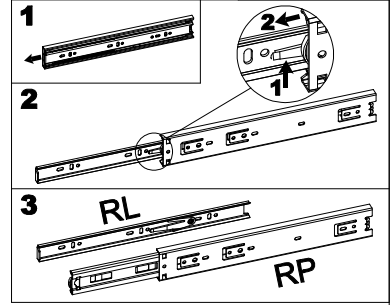


# 5

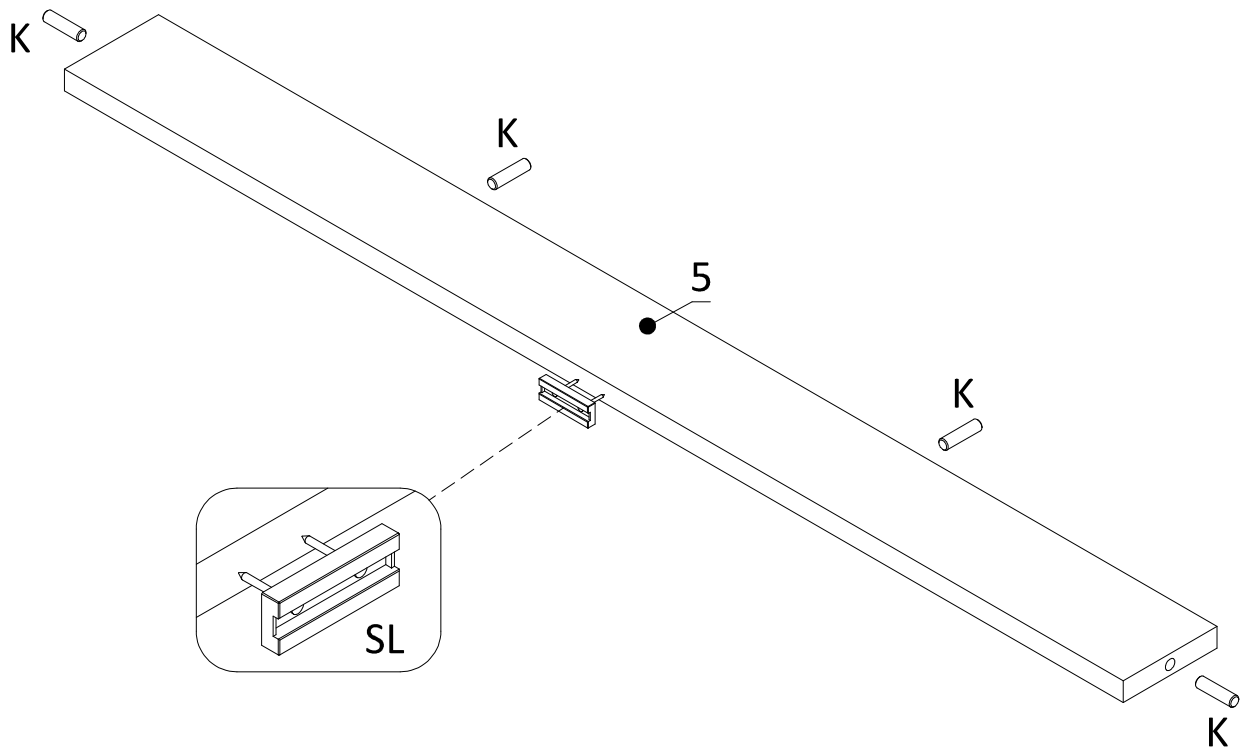
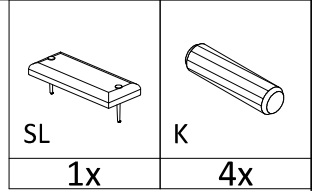


E1

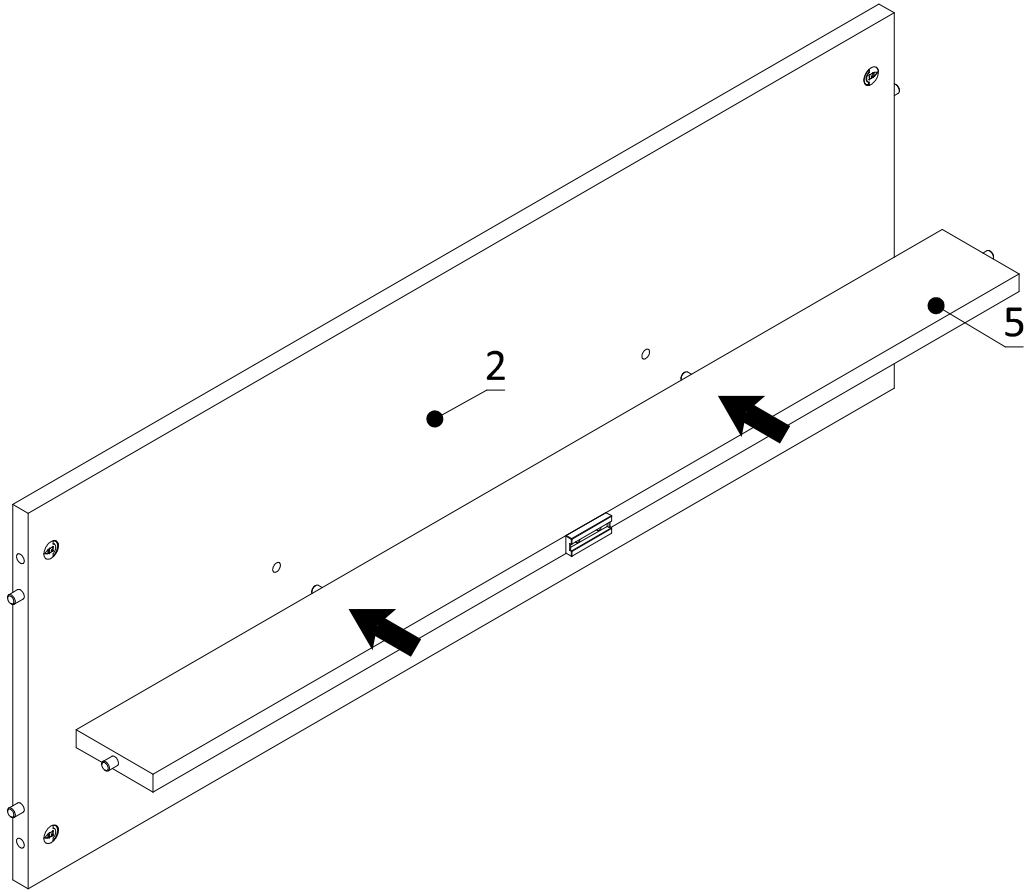
8x



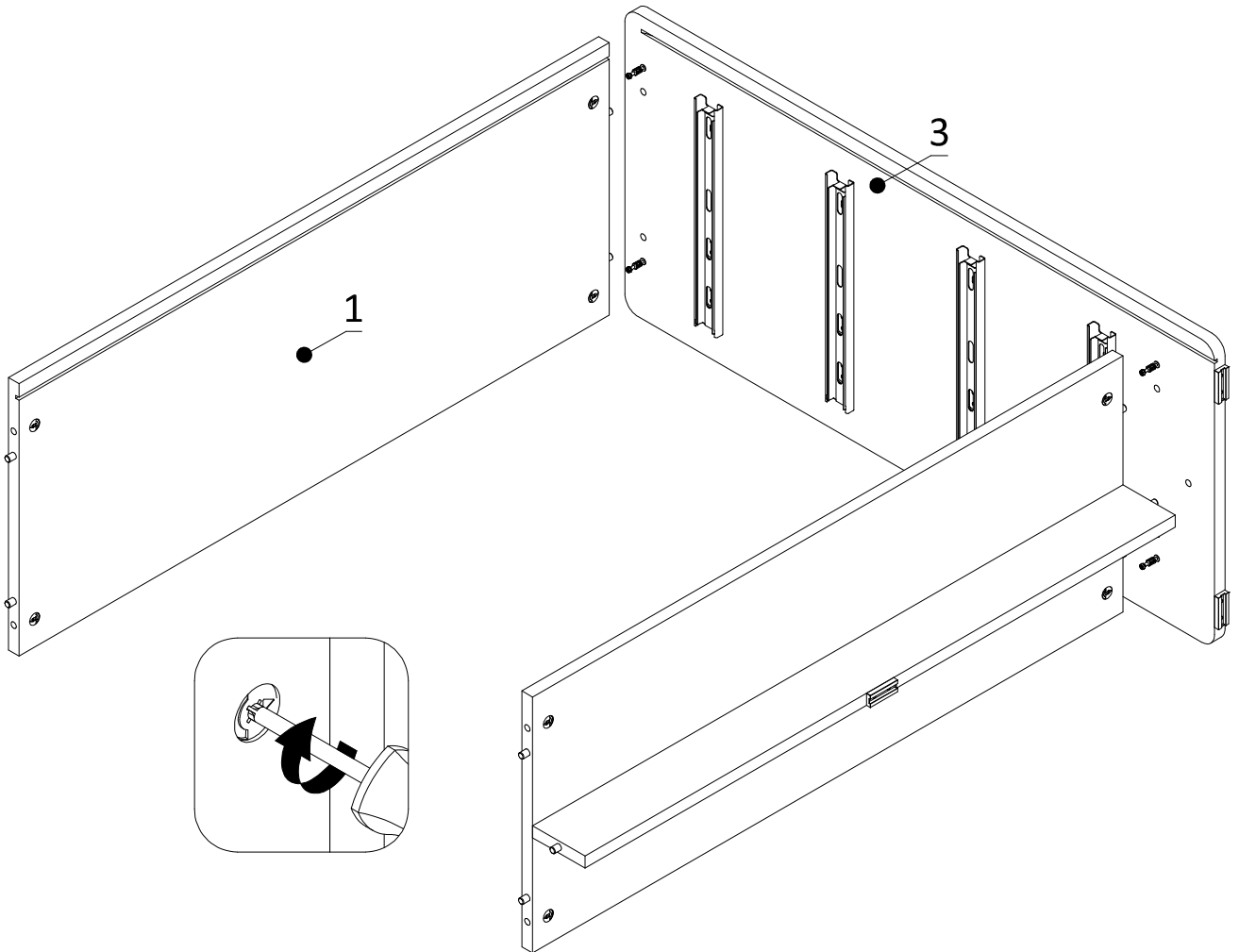
# 6



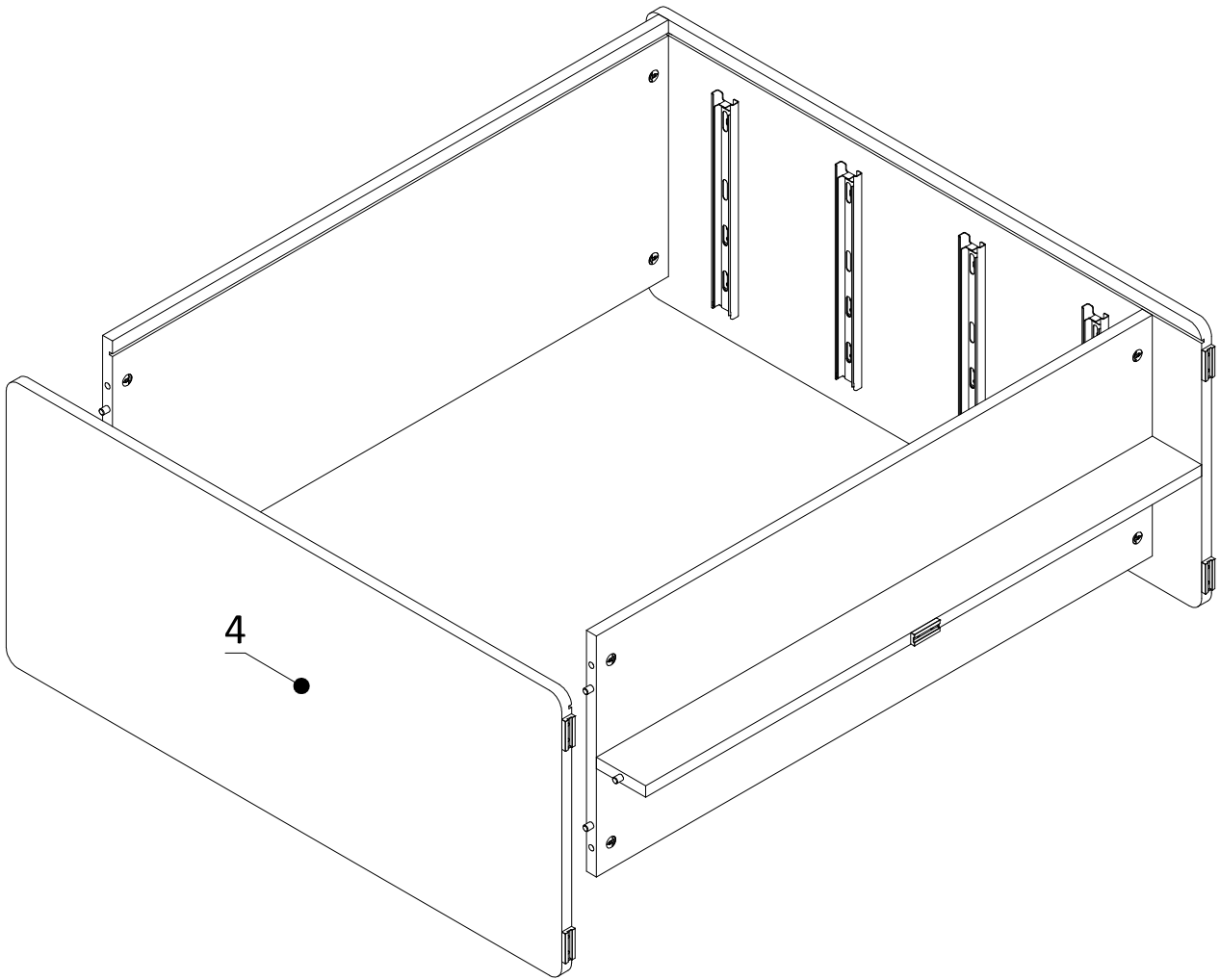
7



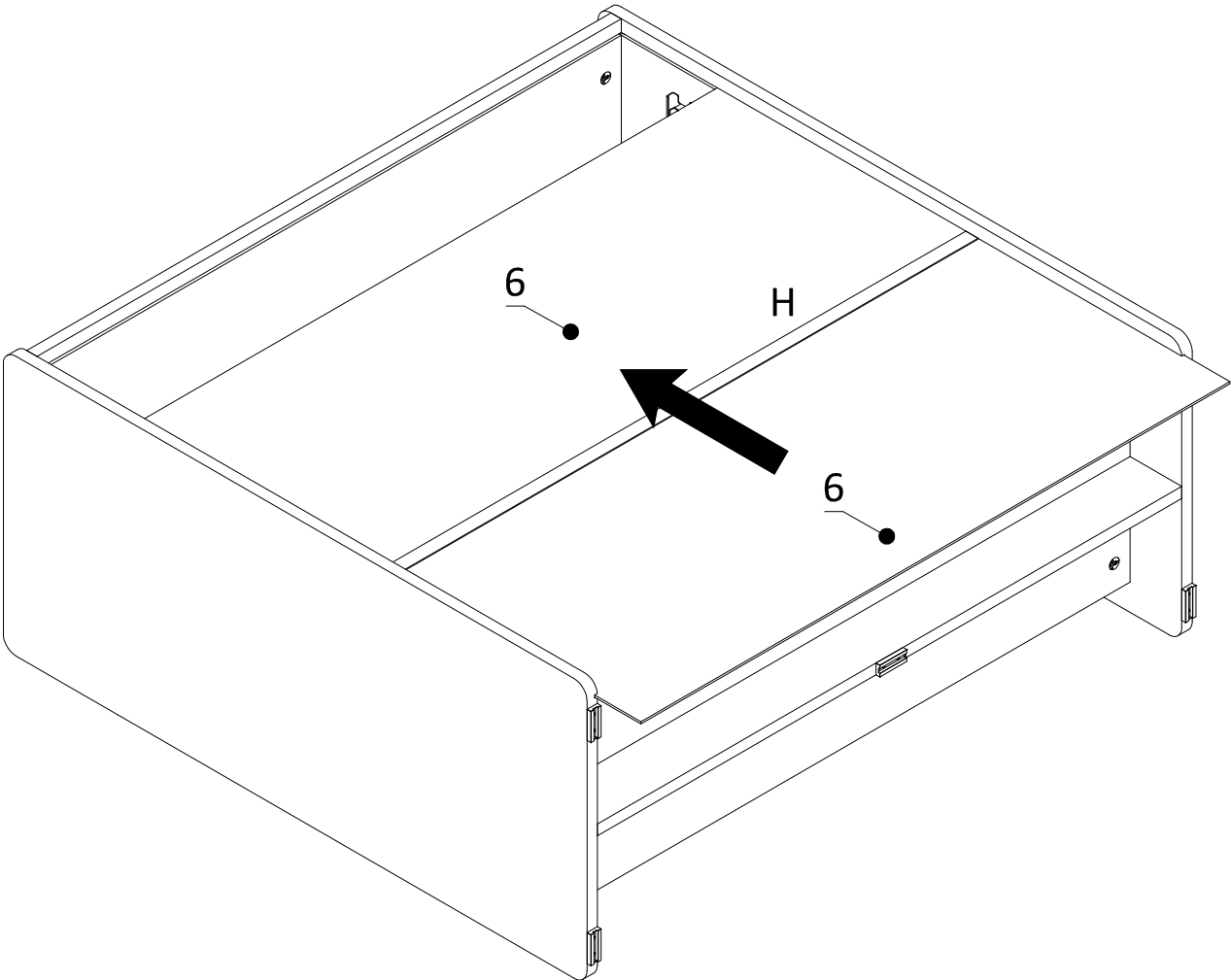
8



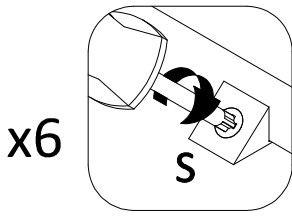
9

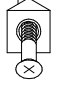
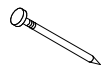


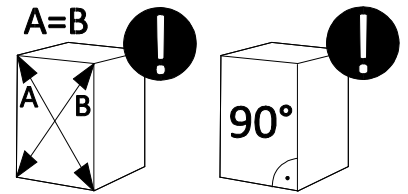
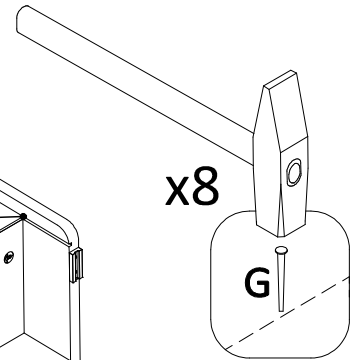
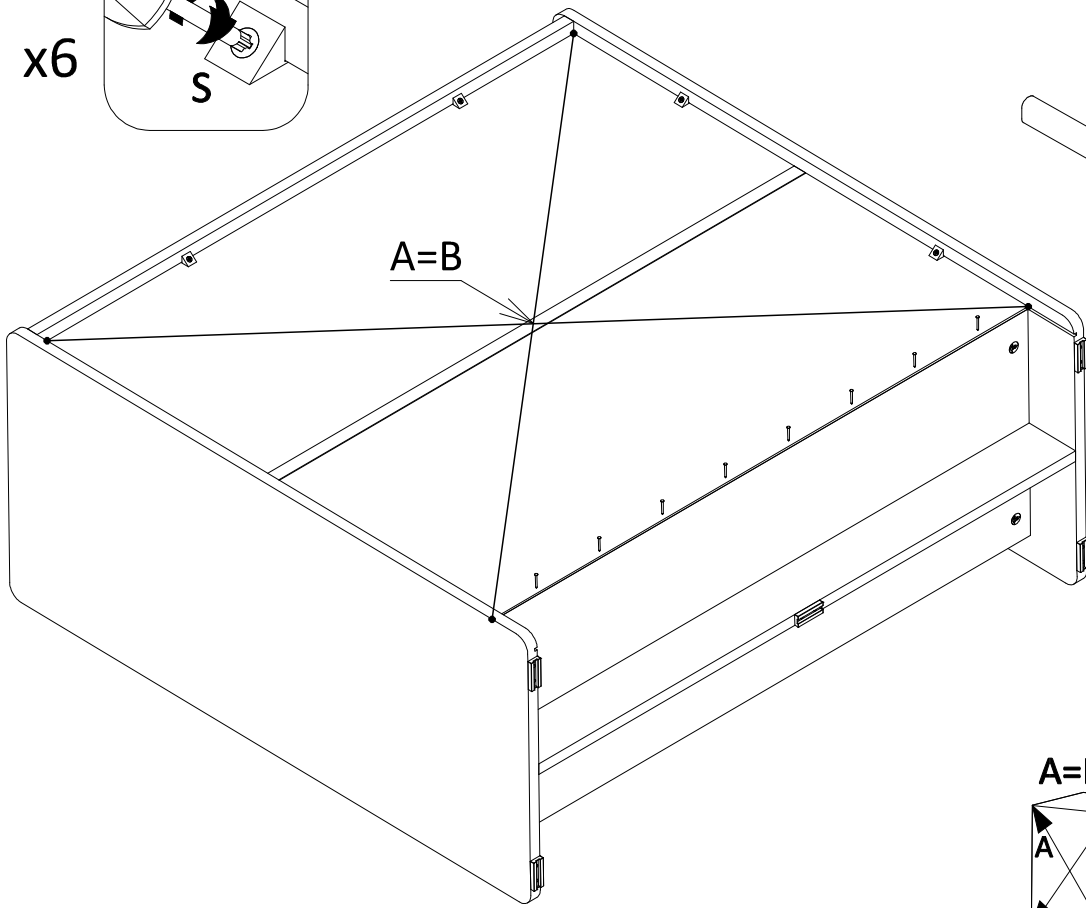
10



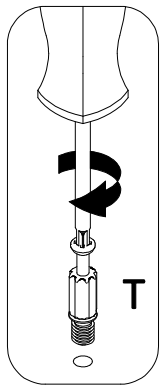
# 11

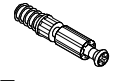
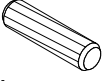


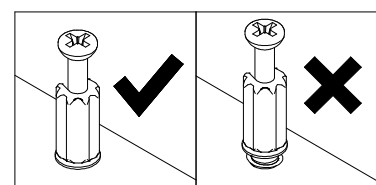
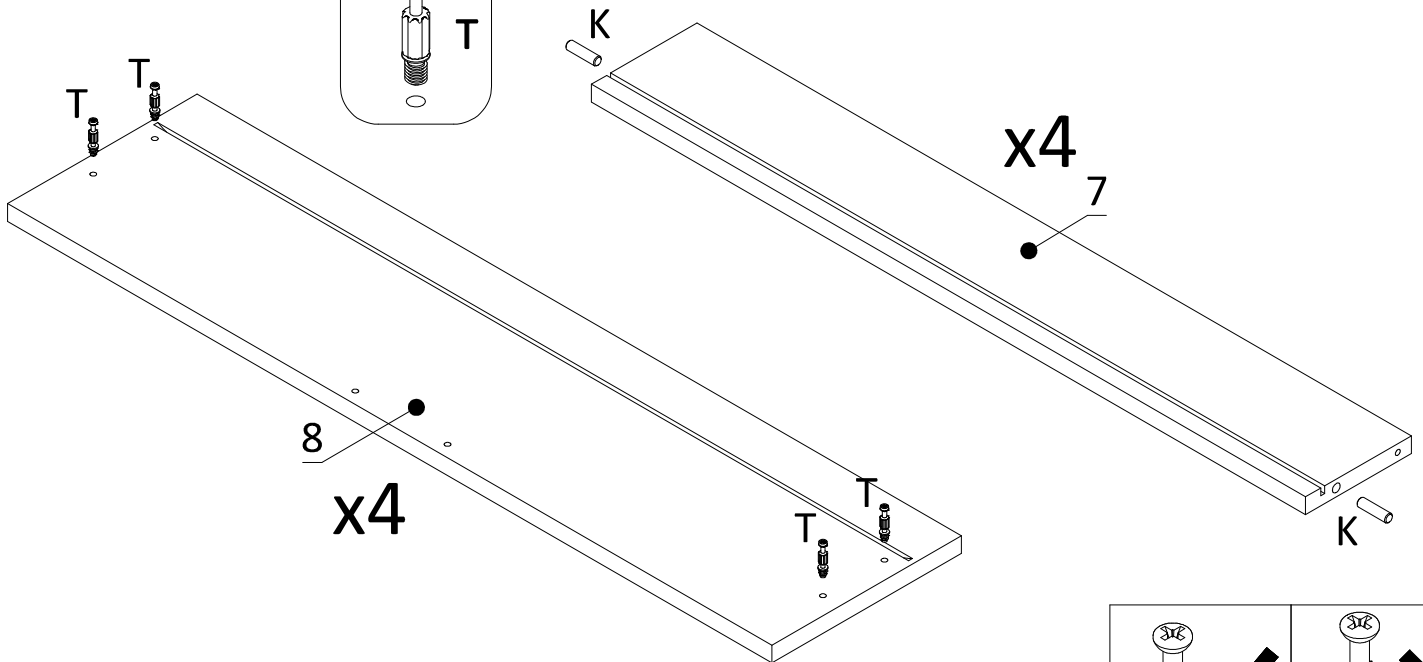
	
S	G
6x	8x



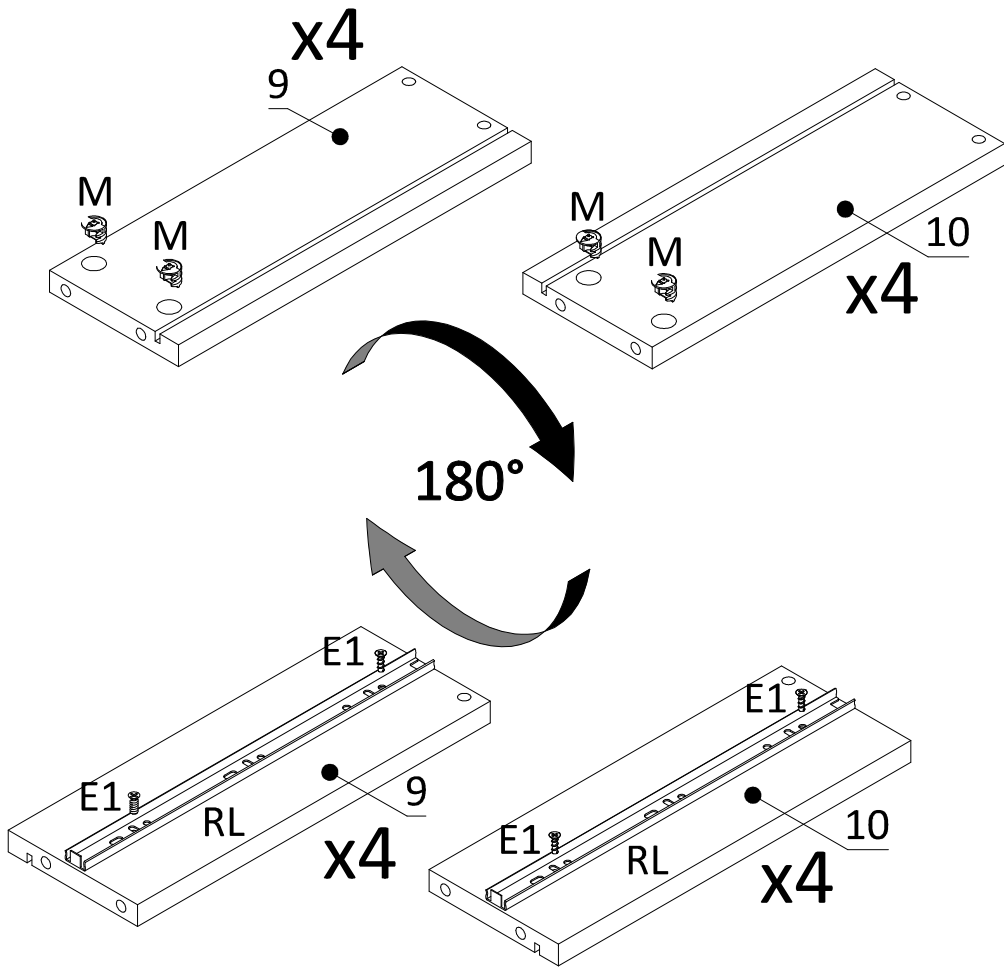
# 12

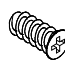

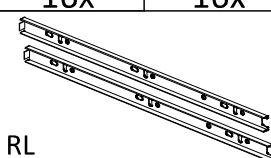


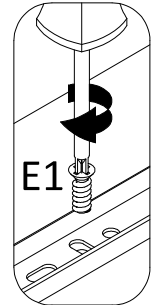
	
T	K
16x	8x



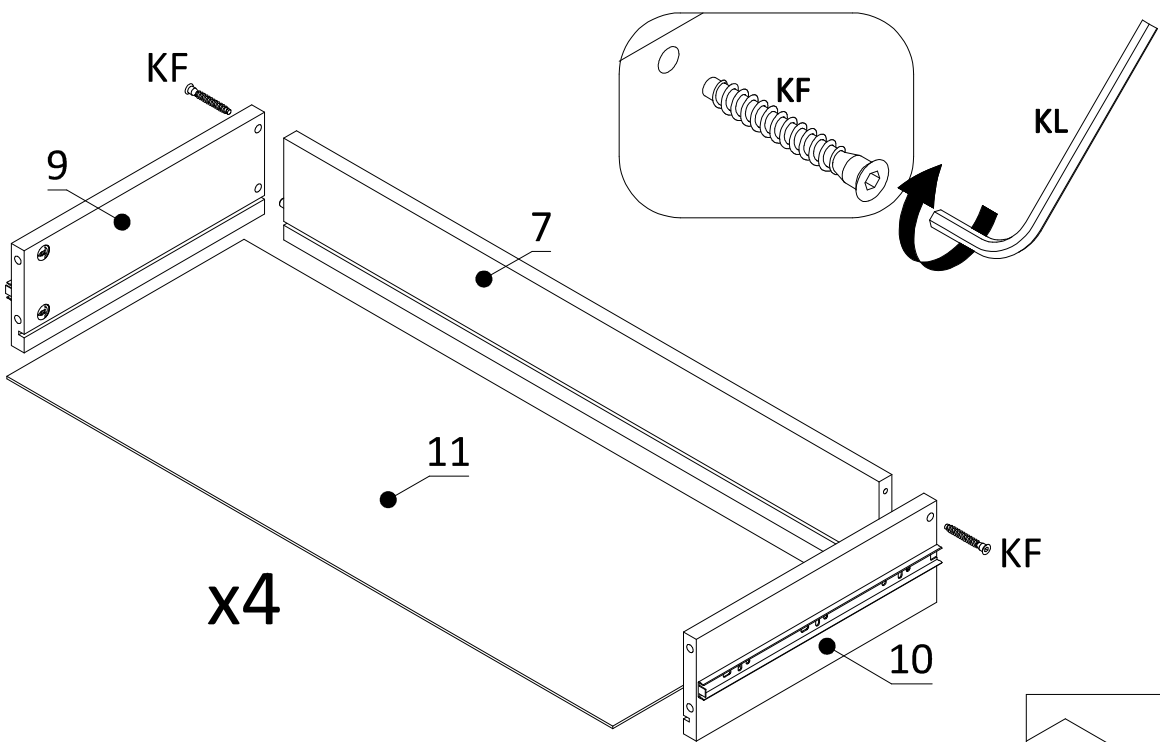
# 13

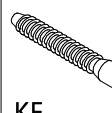



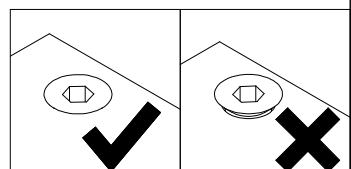
	
E1	M
16x	16x
	
RL	
4x	



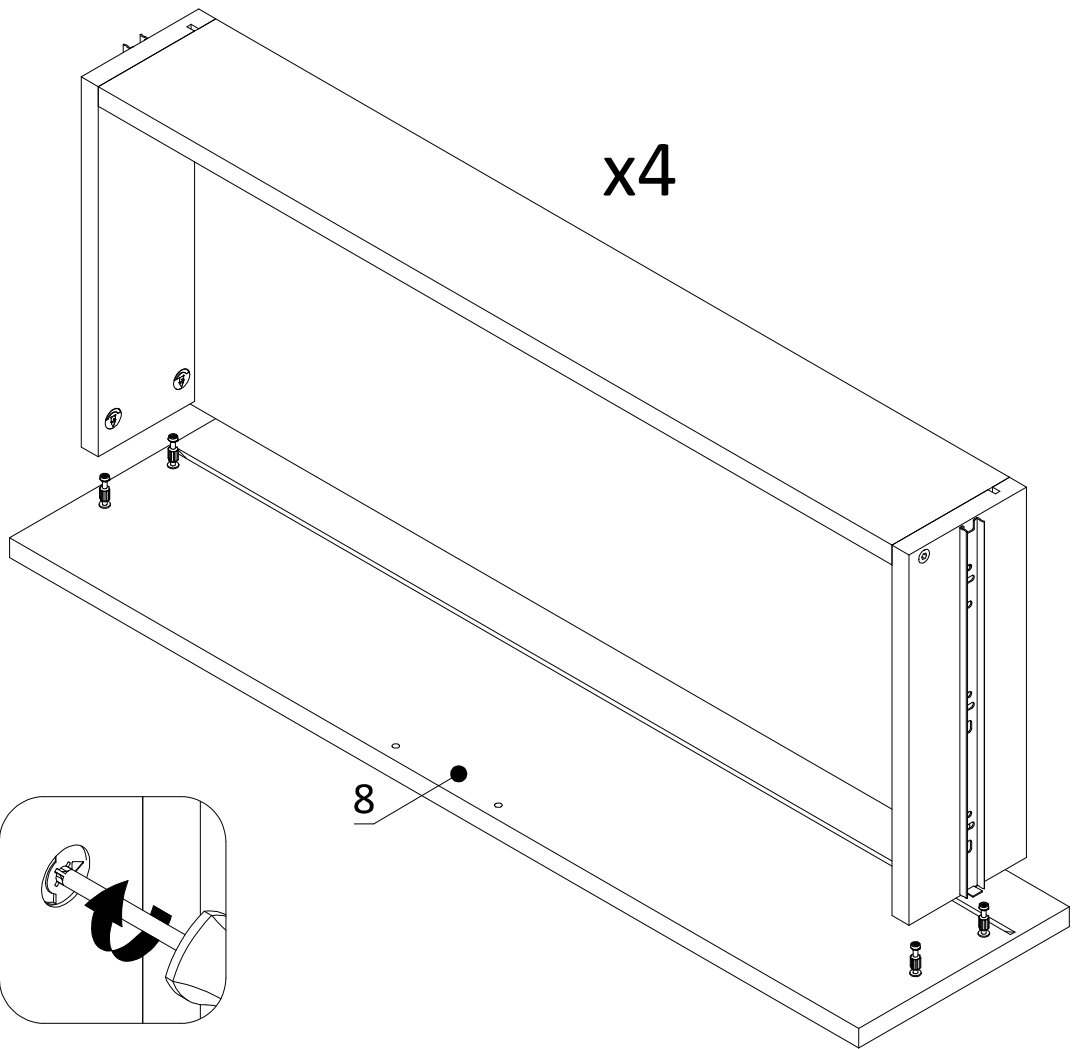
# 14



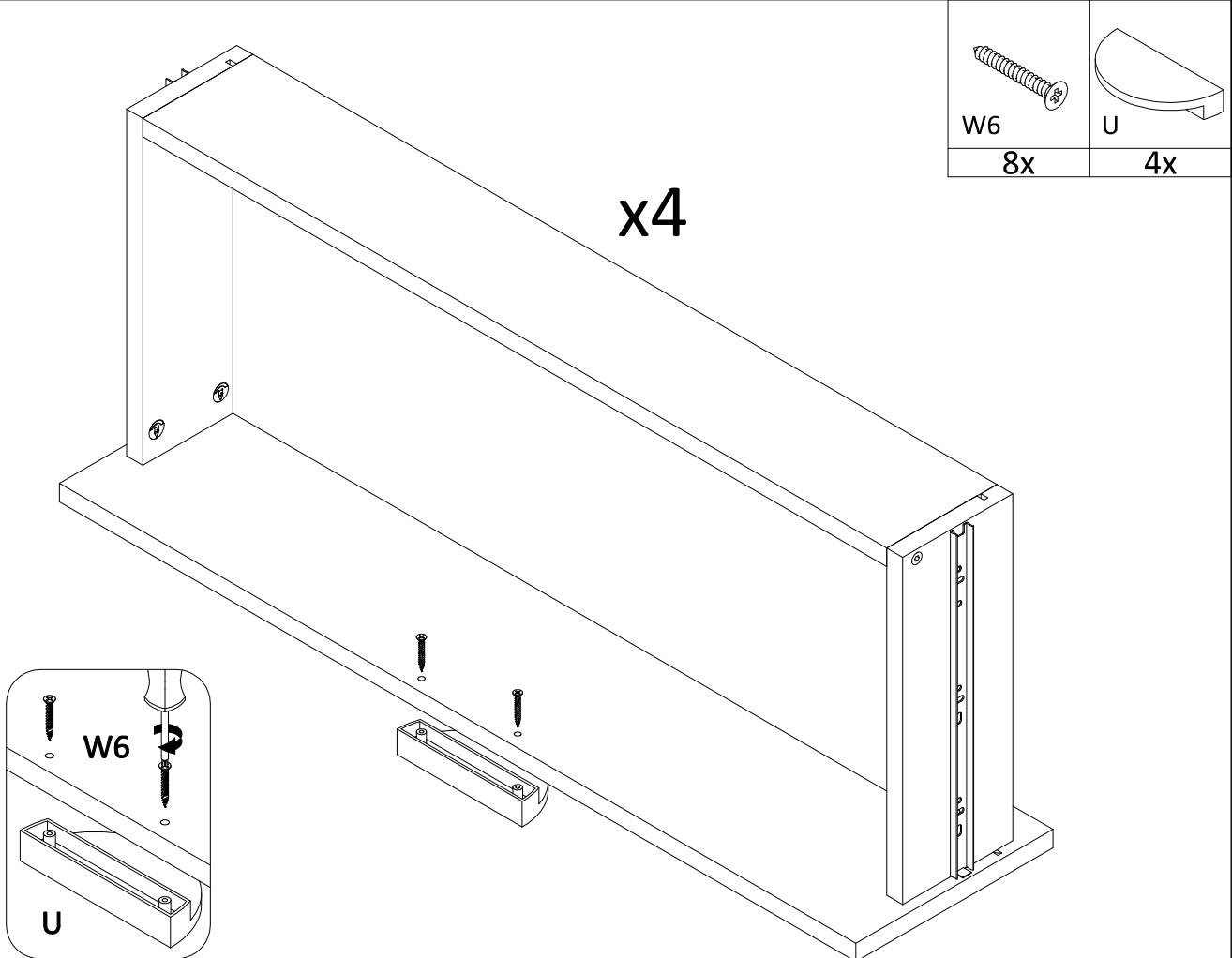
	
KF	KL
8x	1x



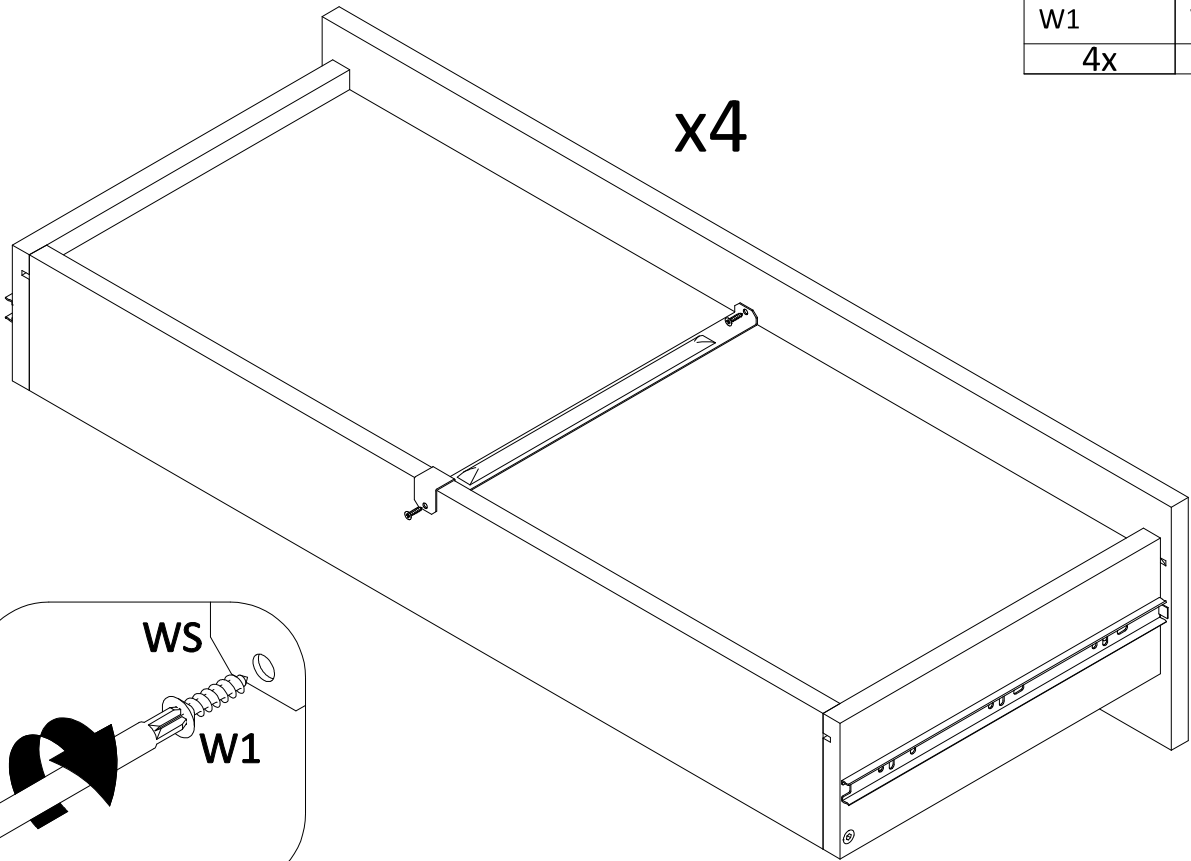
15


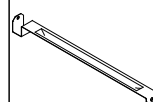


16

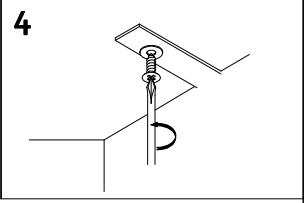
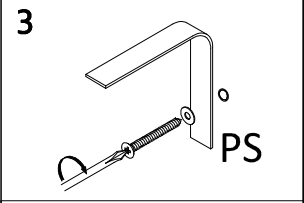
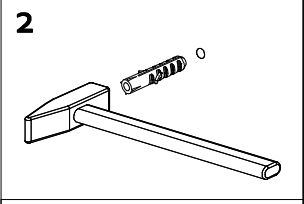
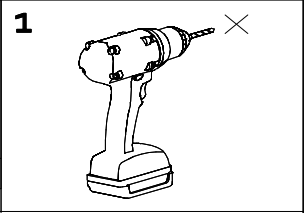
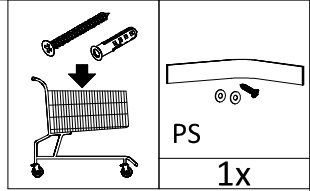
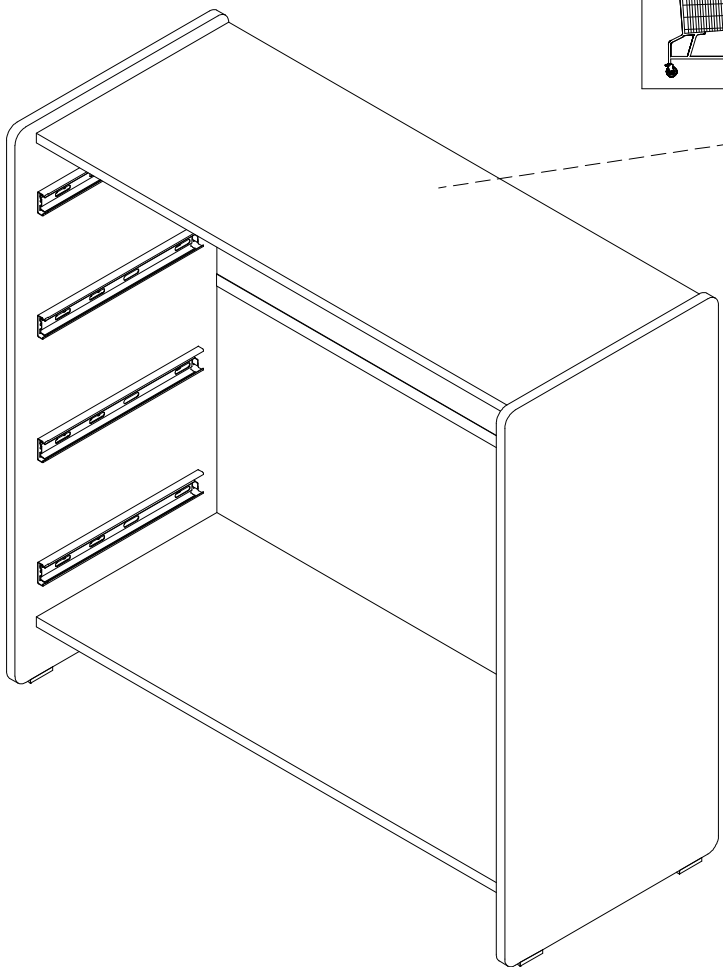


17



	
W1	WS
4x	4x

18



19

