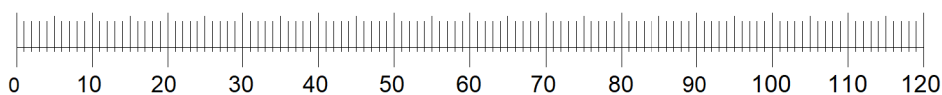
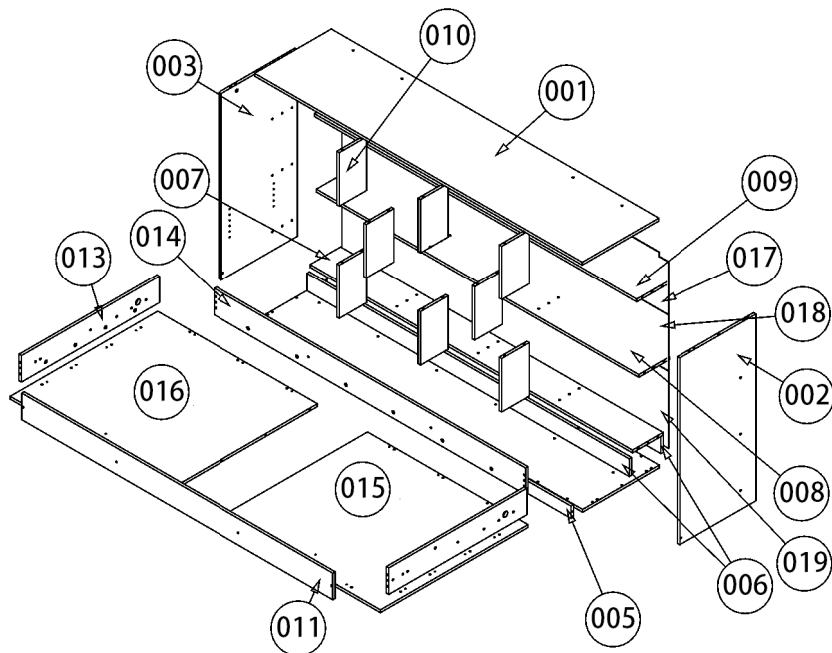
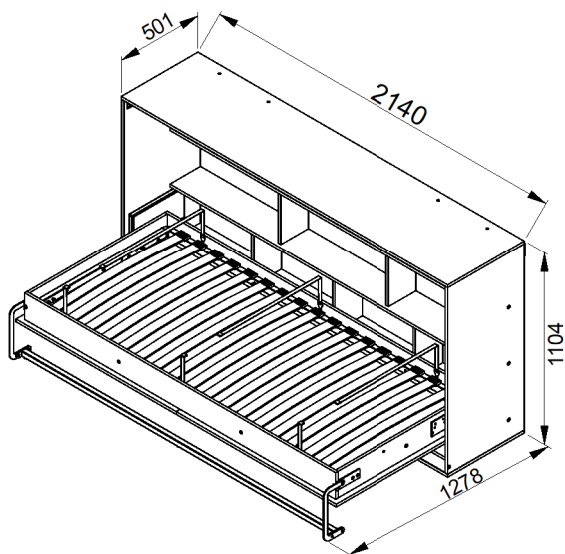
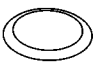
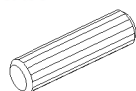

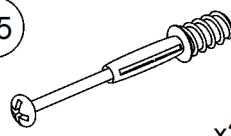

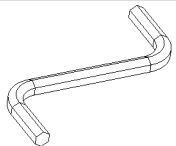
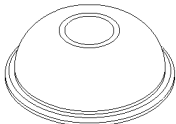
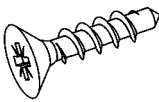

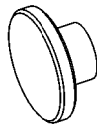

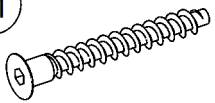
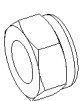

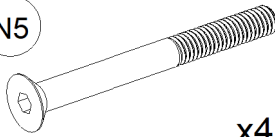
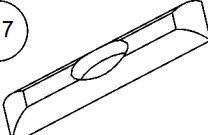
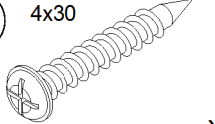
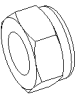
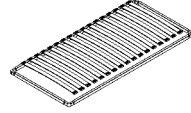
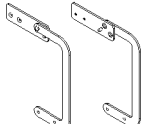


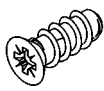

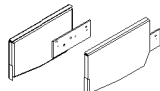
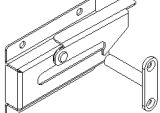
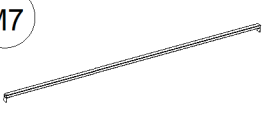
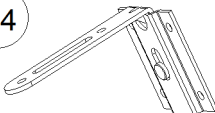


# NERO 16

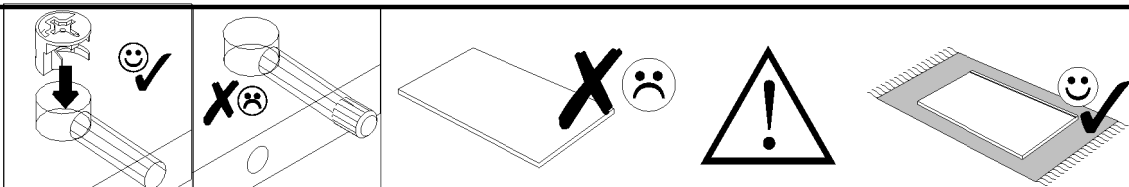


# PÓLKOTAPCZAN

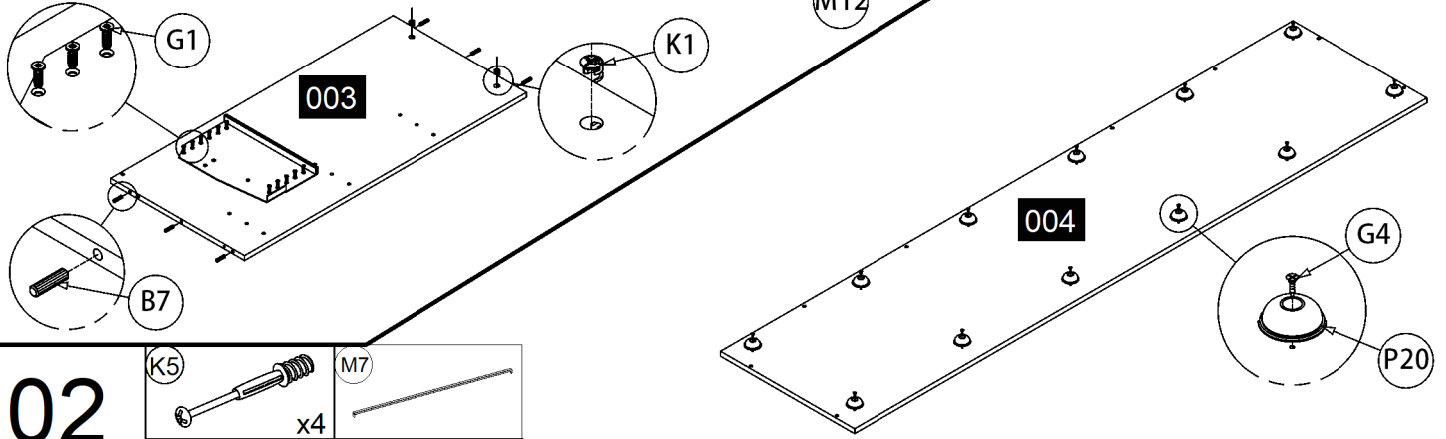
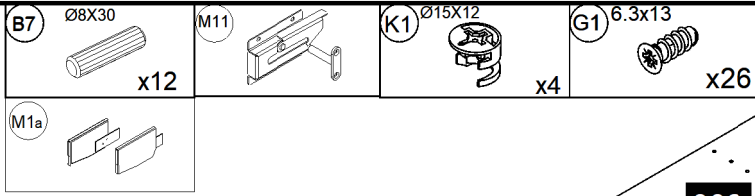


K2z  x4	B7 Ø8X30  x118	K1z  x28	K5  x28	K1 Ø15X12  x28
W2  x1	P20  x12	G4 4X16  x22	W4  x70	E18  x2
N2 M6x60  x6	A1  x29	O1  x6	A1z  x29	N5  x4
S17  x28	G8 4x30  x2	O2  x4	M12  x2	M13  x2
M2  x2	M9  x3	G1 6.3x13  x36	N6 M6x50  x6	M1a  x2
M11  x2	M7  x2	M4  x2		

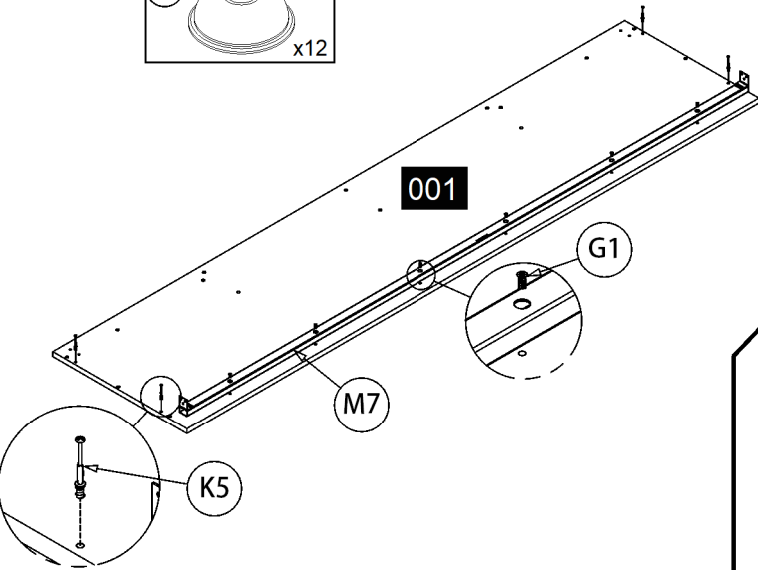
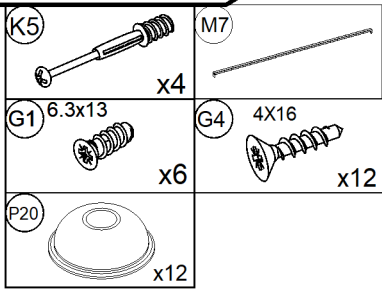
G21



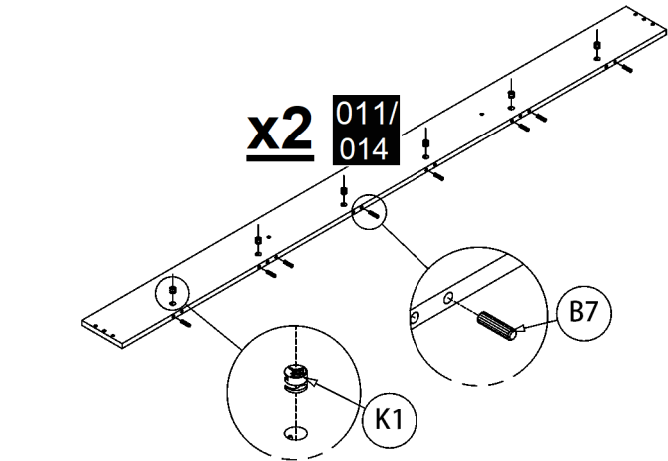
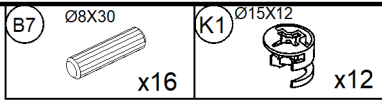
# 01



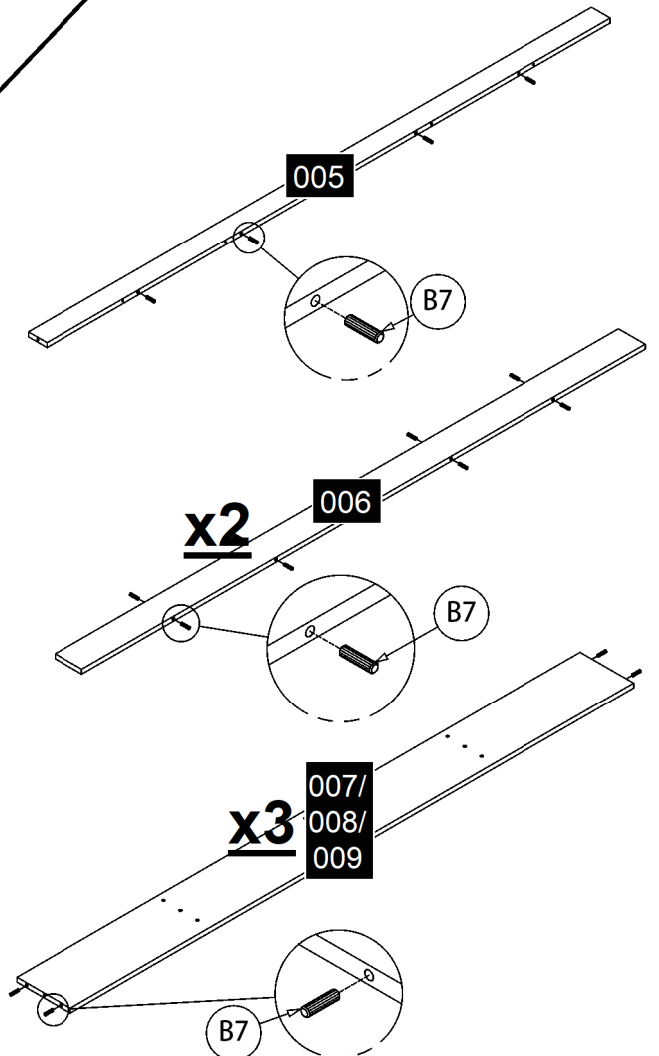
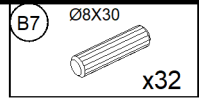
# 02



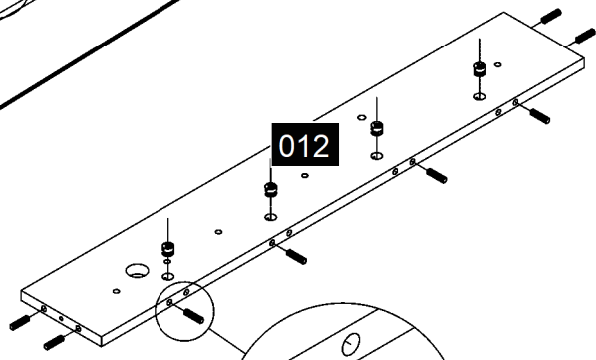
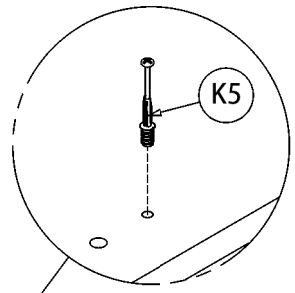
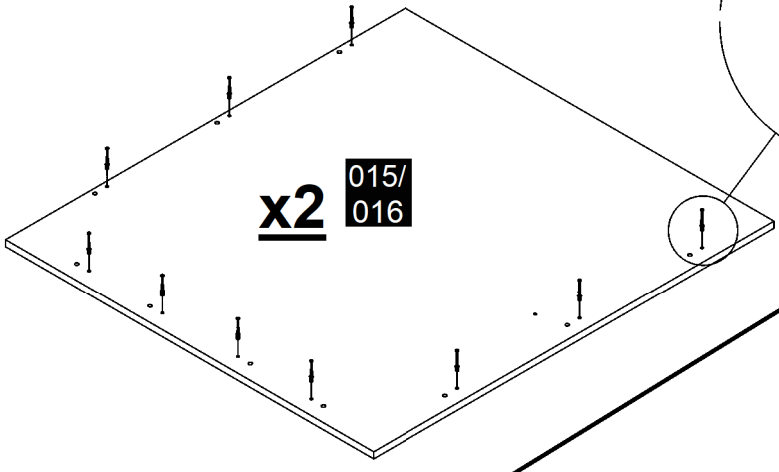
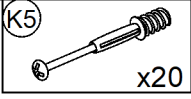
# 03



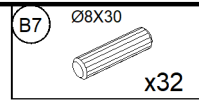
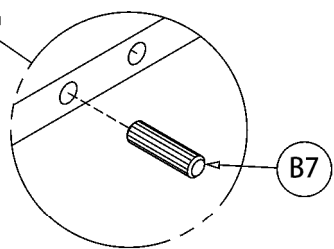
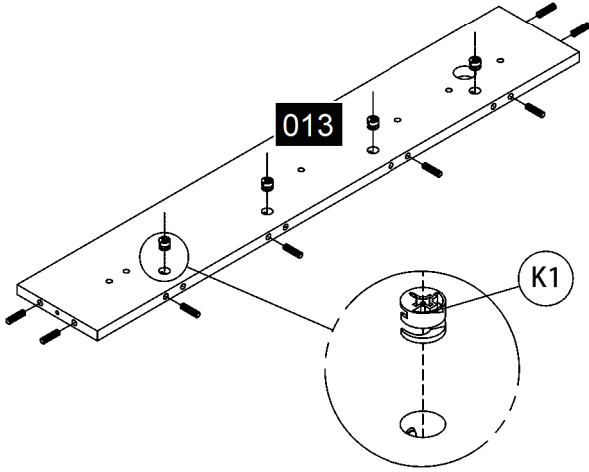
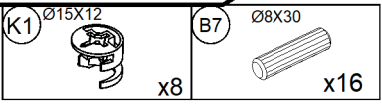
# 04



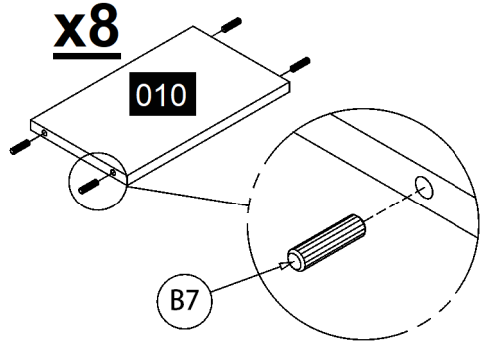
05



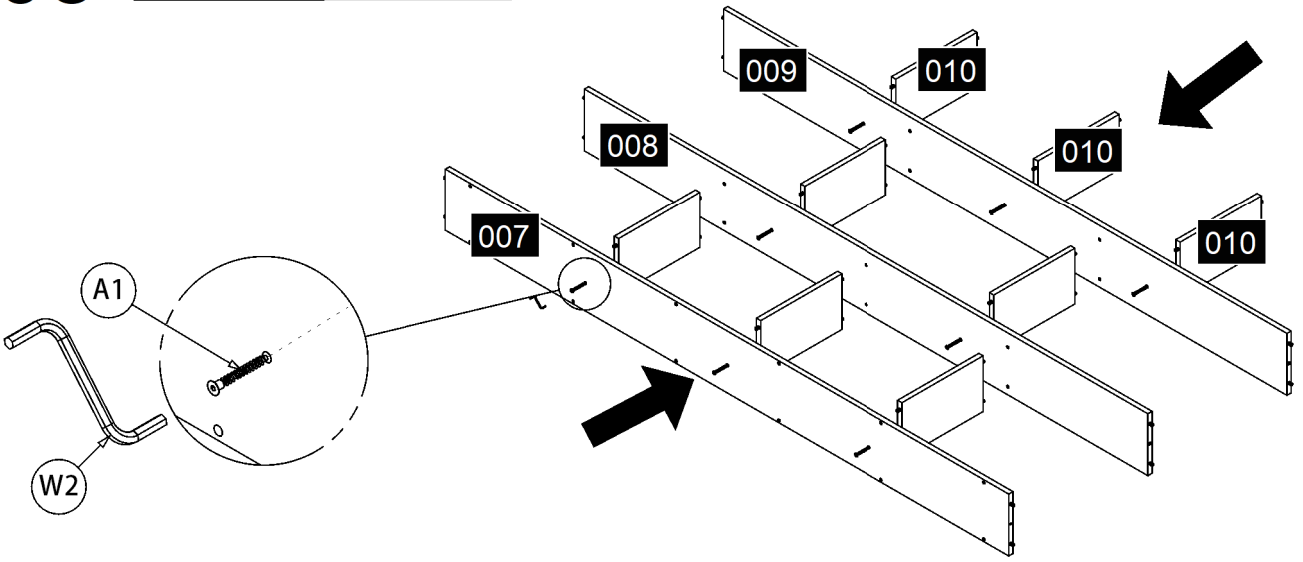
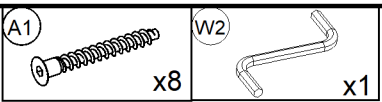
06



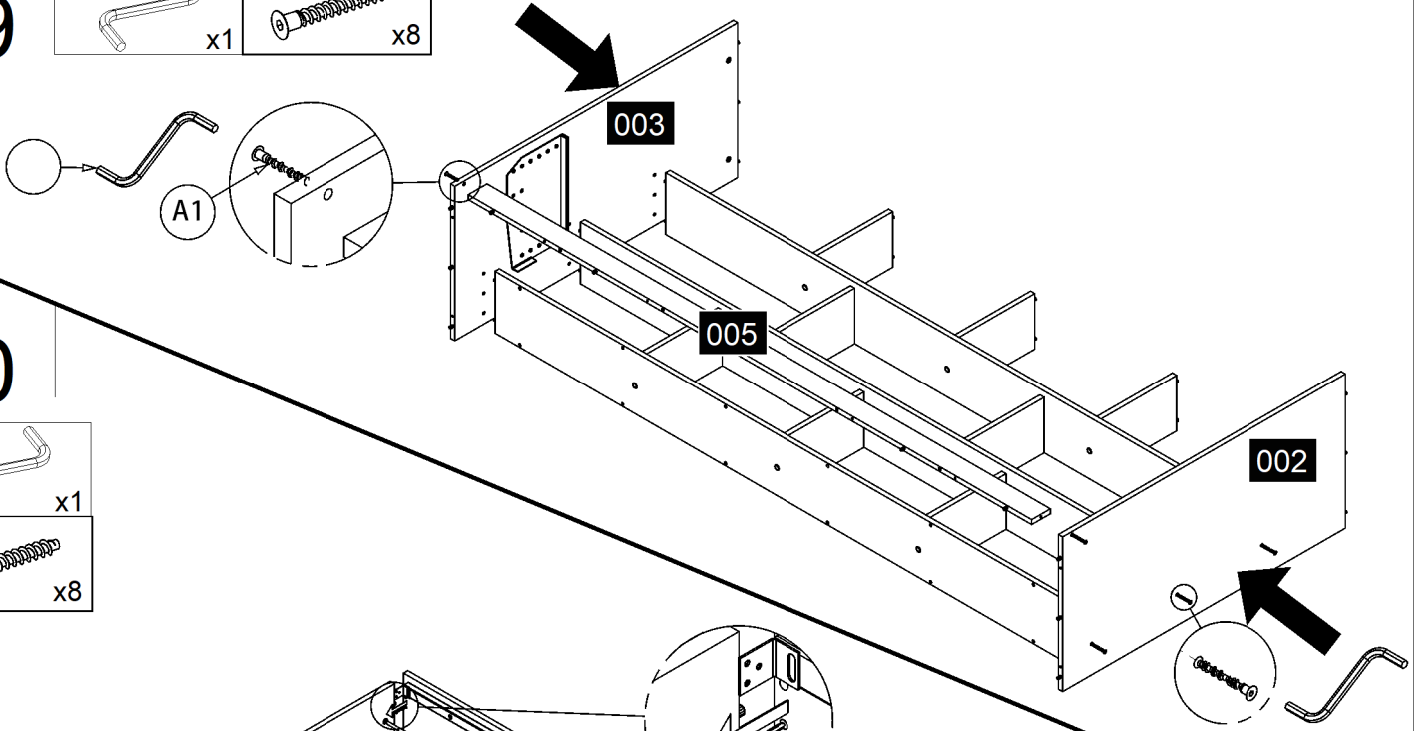
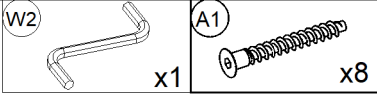
07



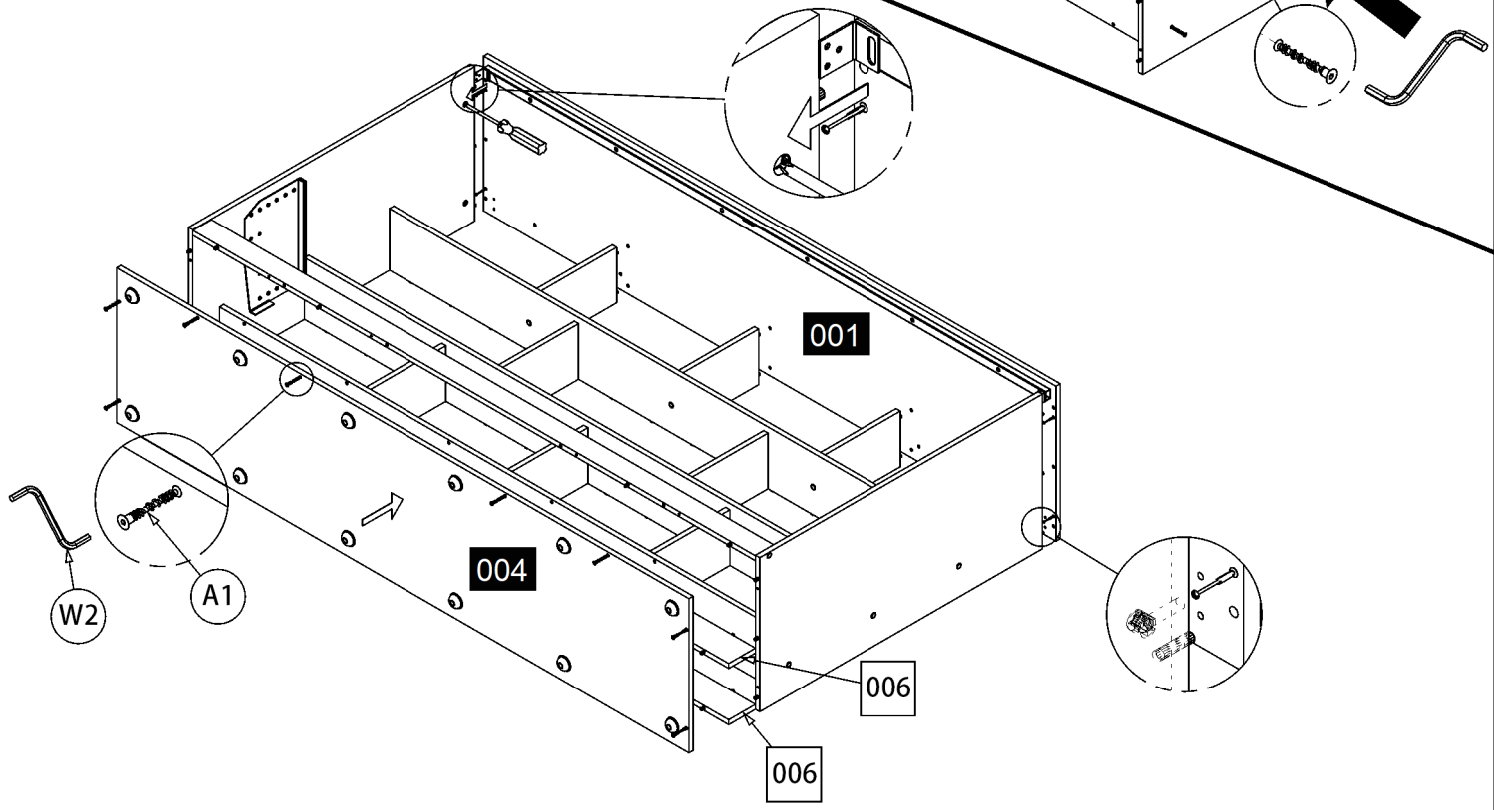
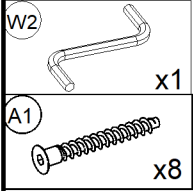
08



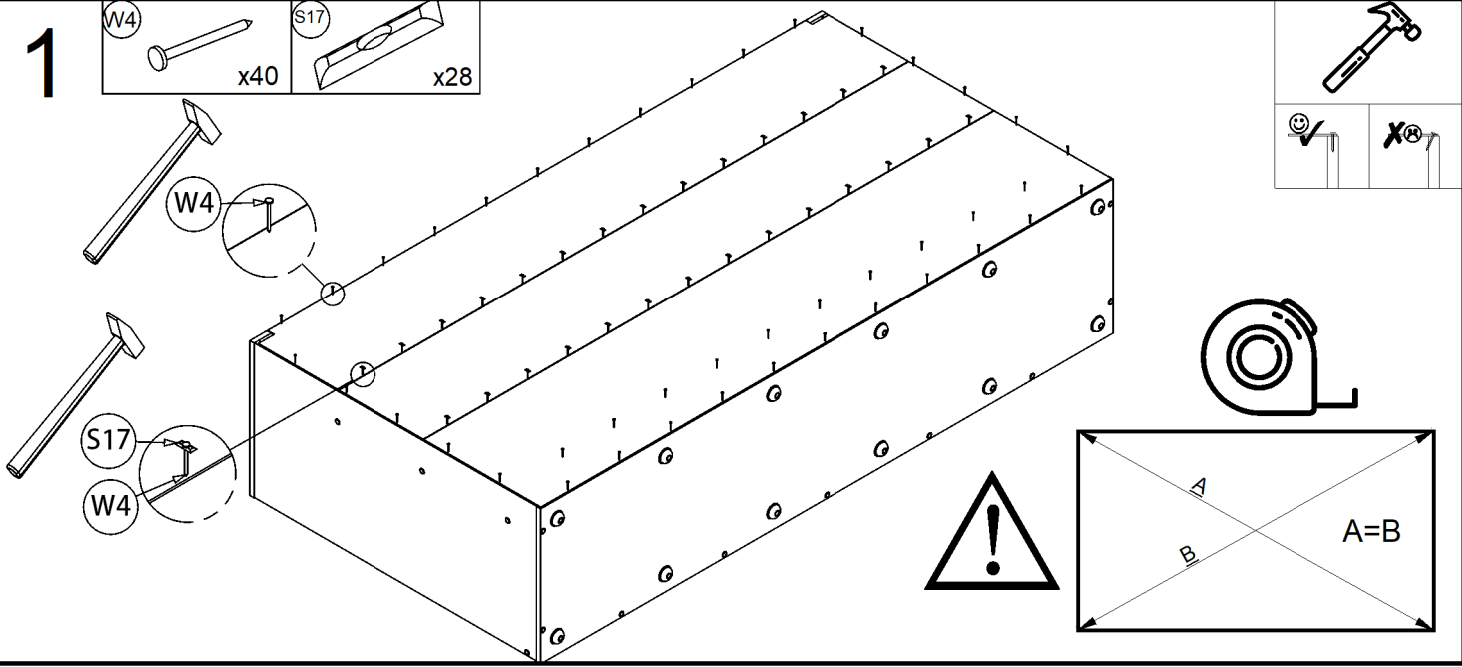
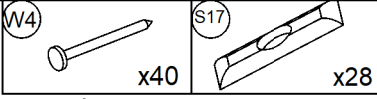
09



10

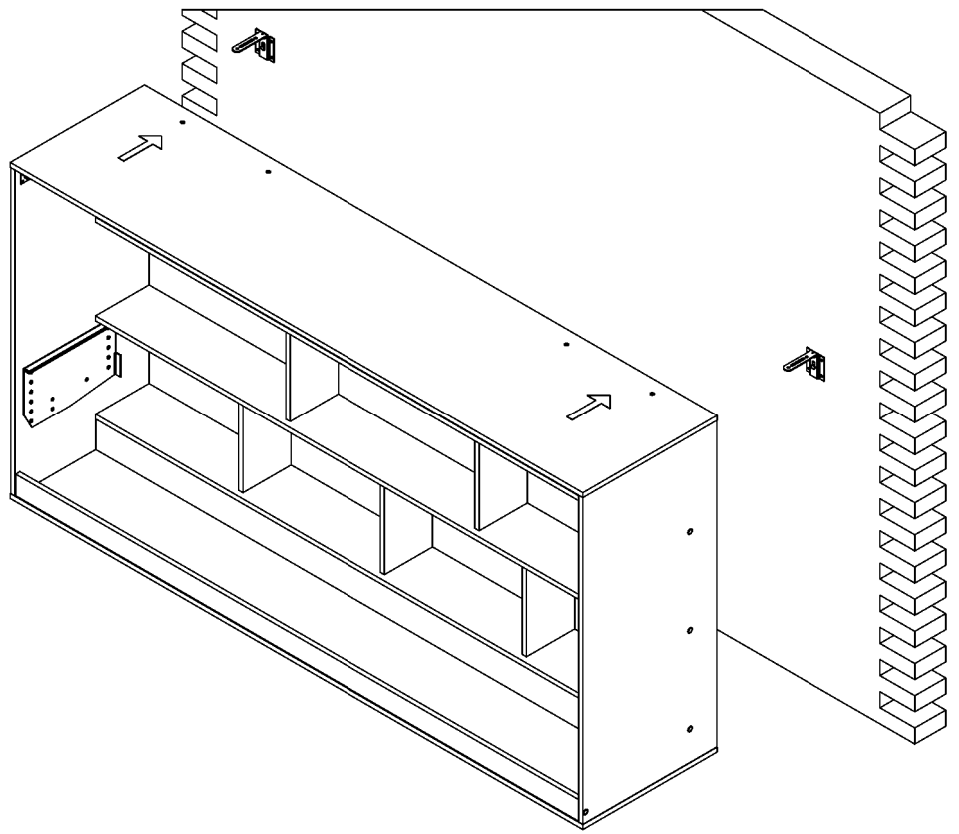
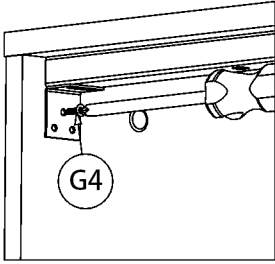
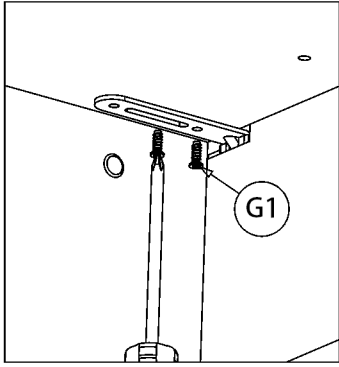


11

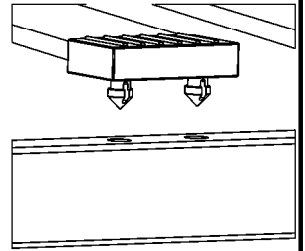
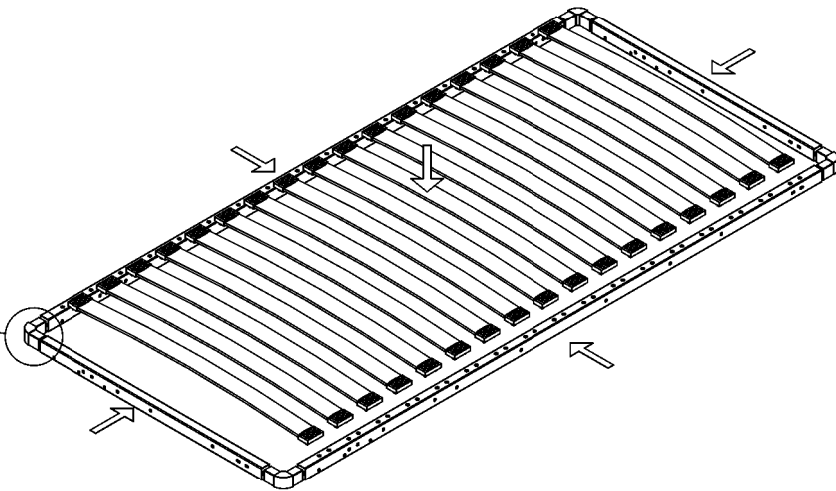
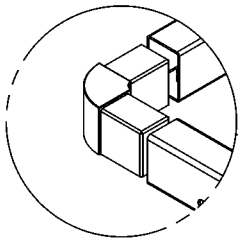


# 12

G1 6.3x13 x4  
G4 4X16 x2

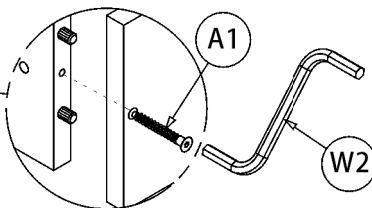
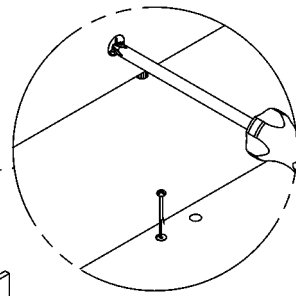
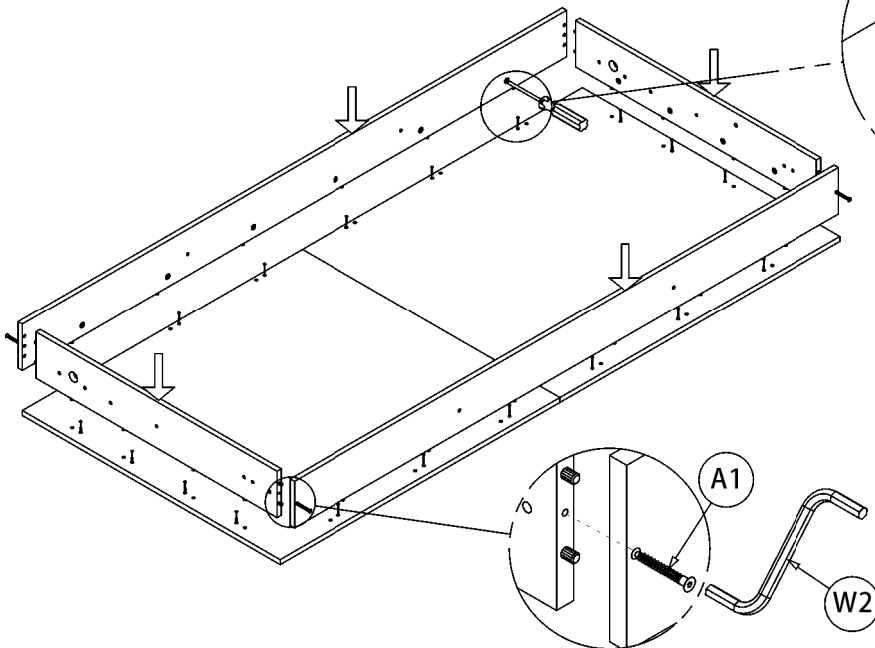


# 13

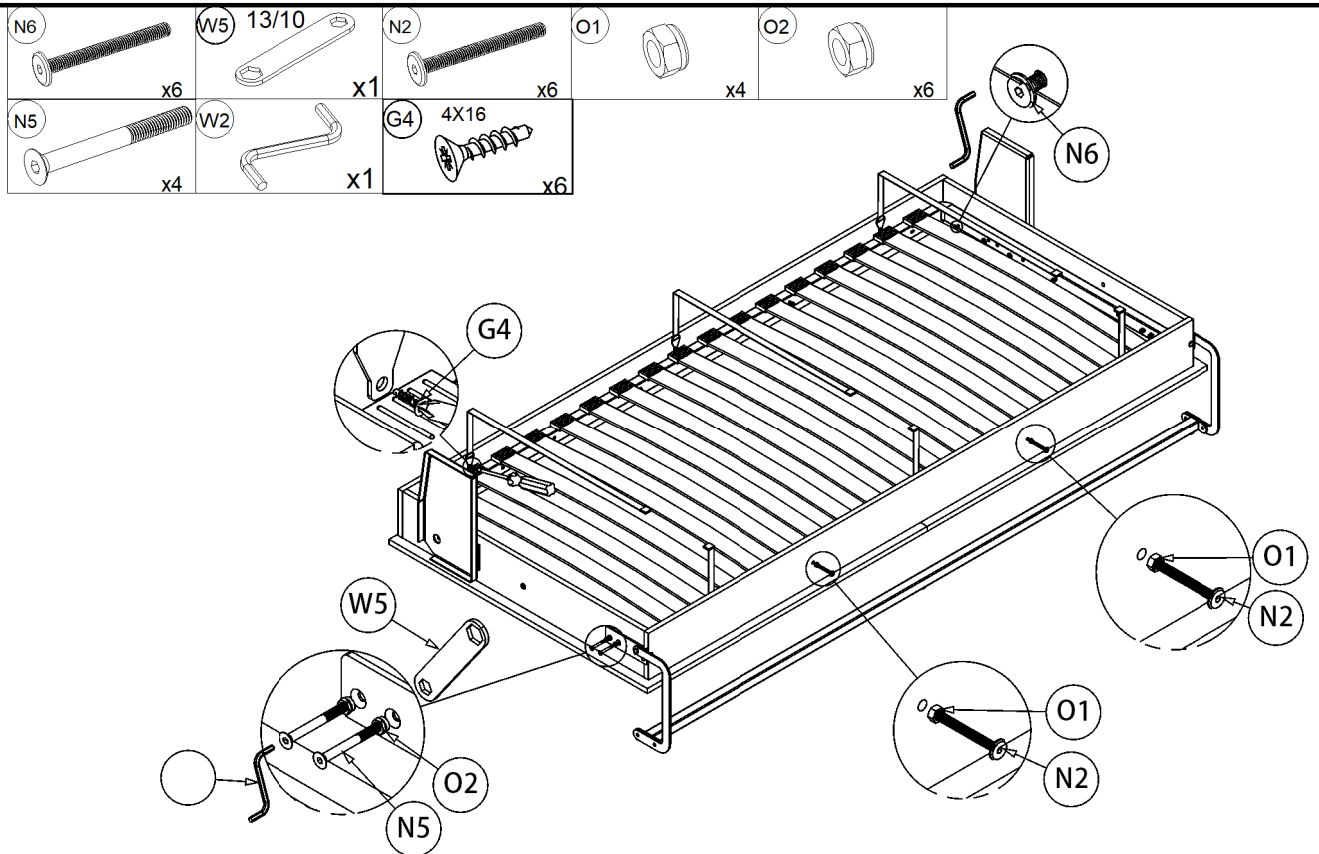


# 14

A1 x4  
W2 x1



# 15



# 16

