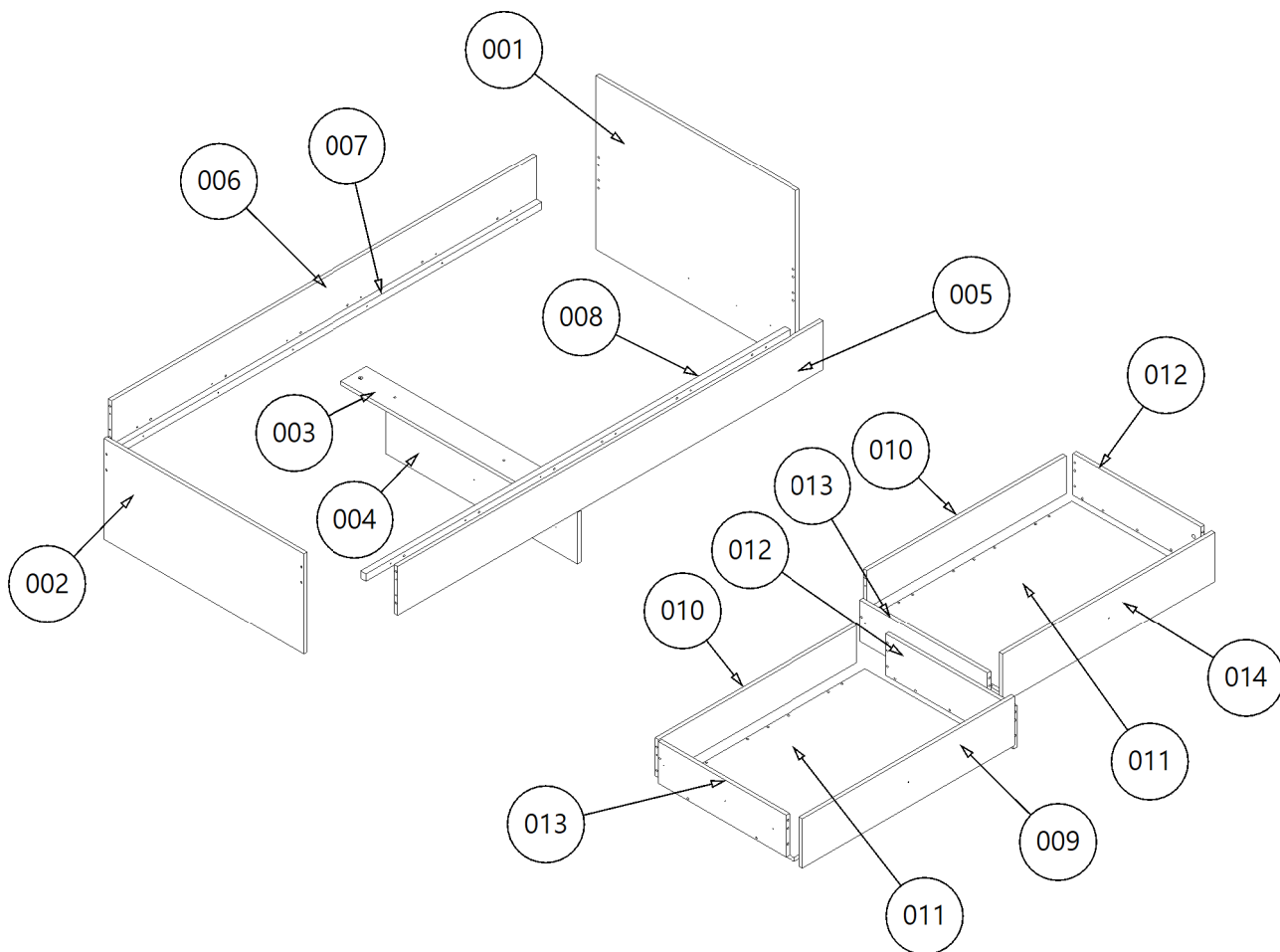
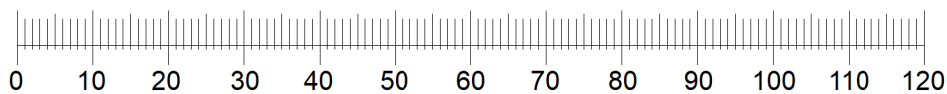
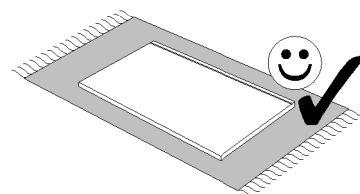
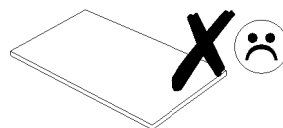
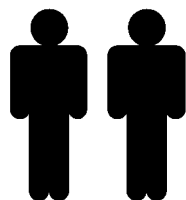
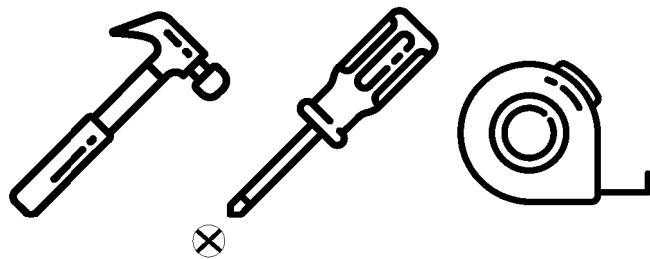
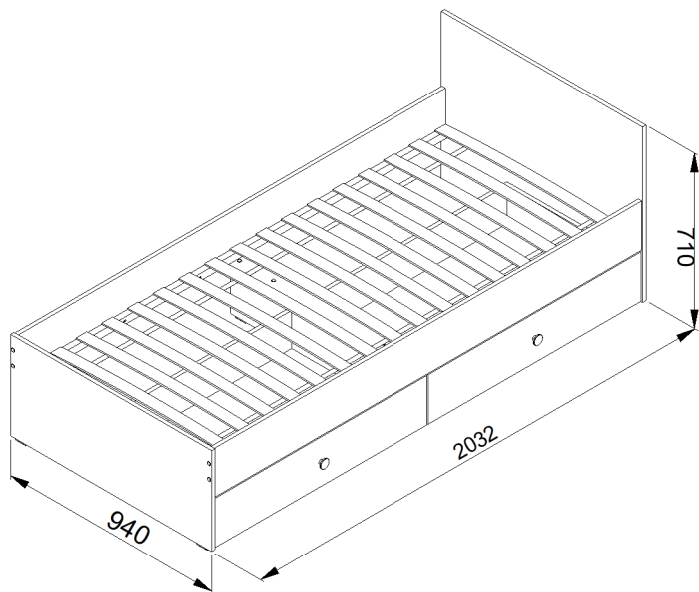
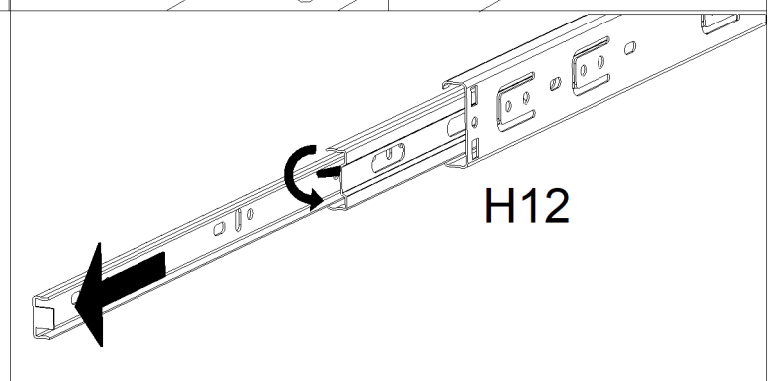
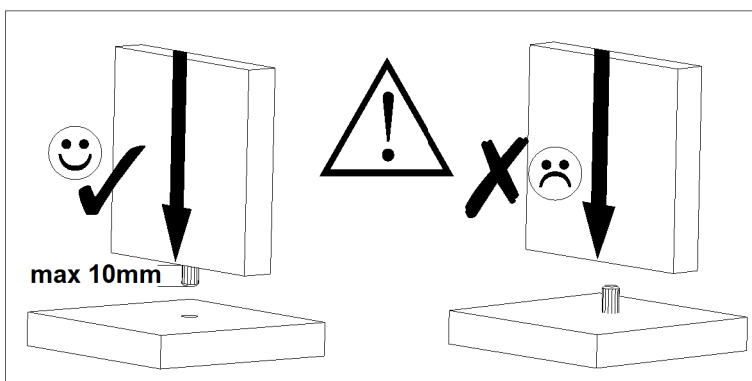
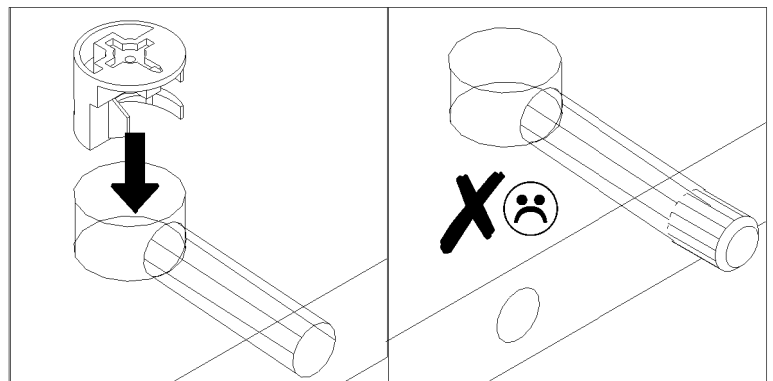
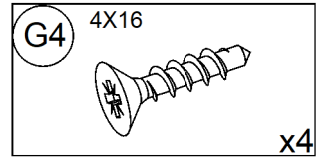
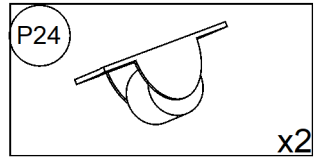
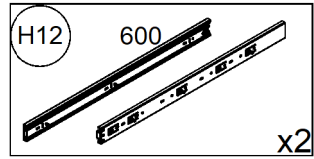
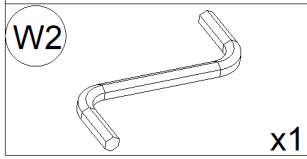
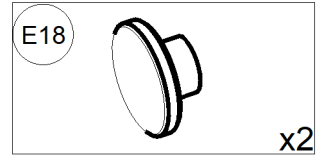
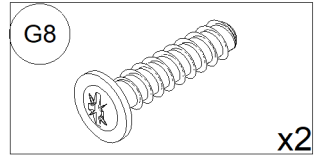
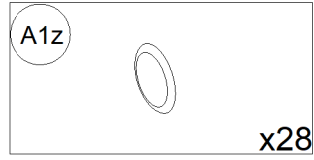
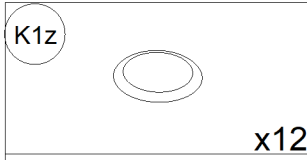
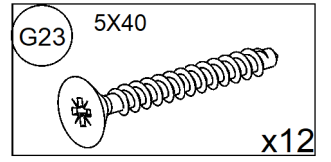
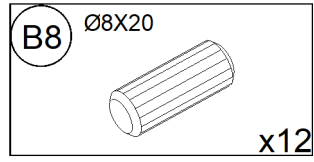
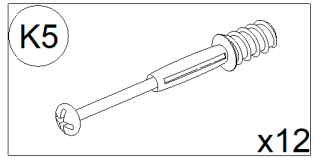
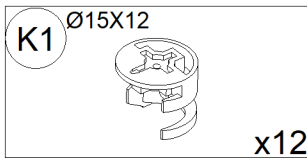
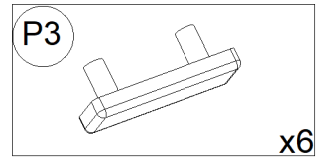
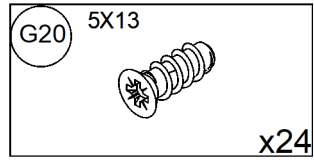
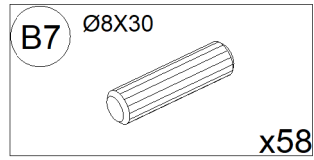
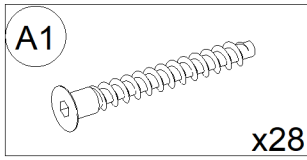


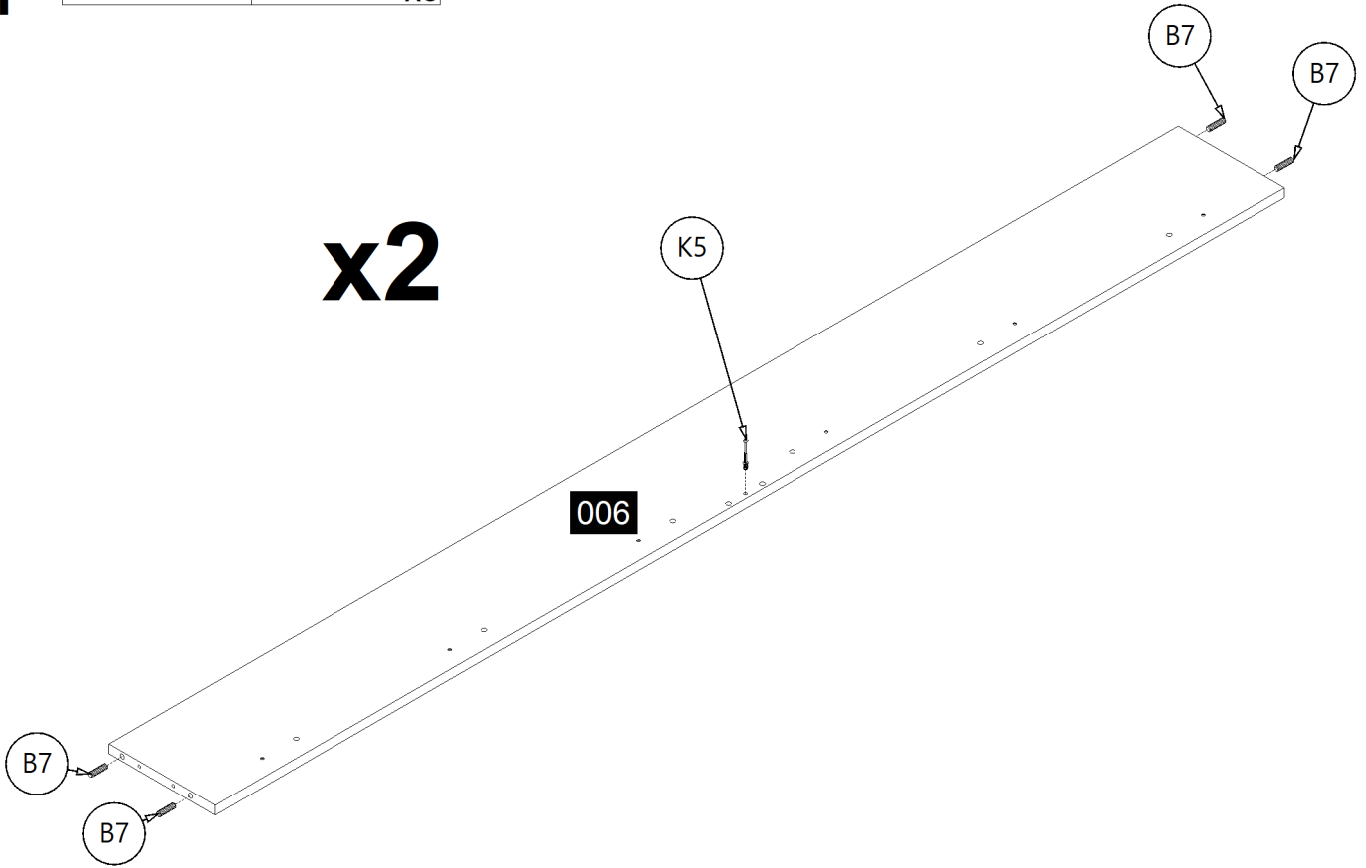
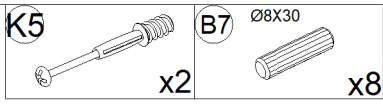
NERO 14

ŁÓŻKO 90

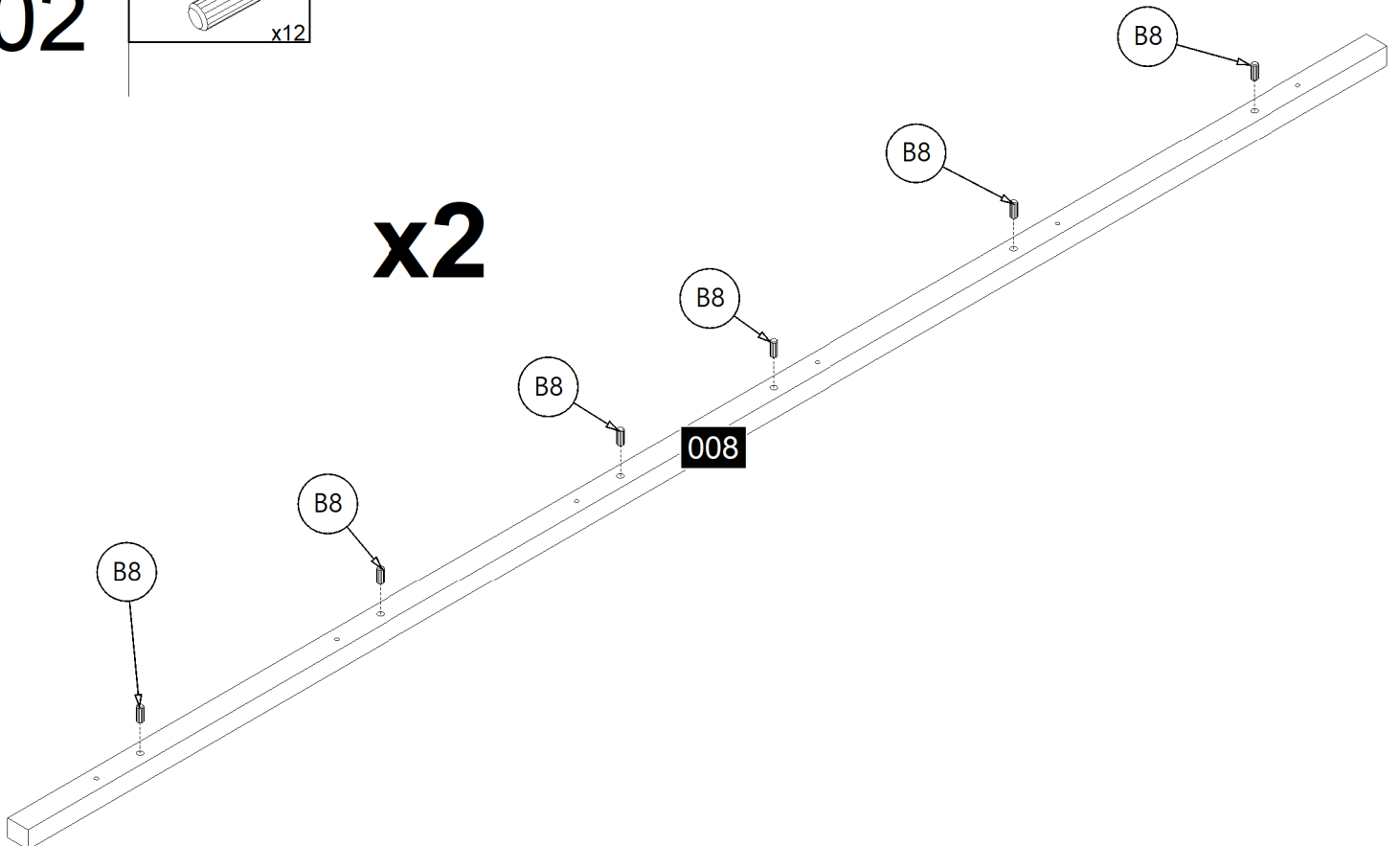
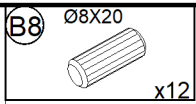




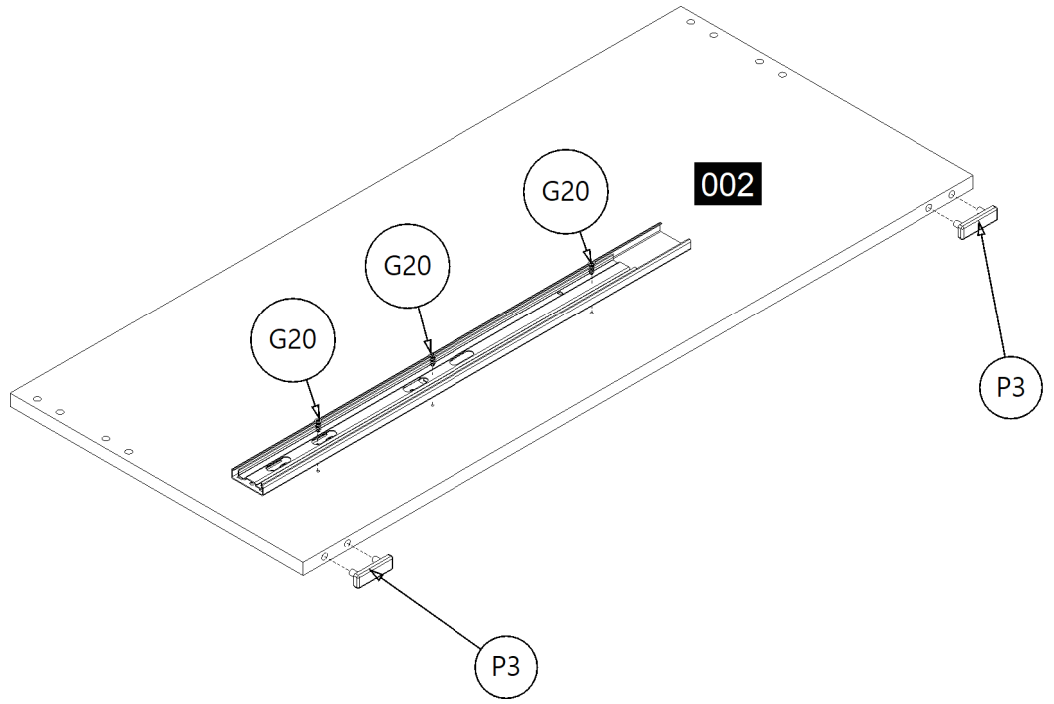
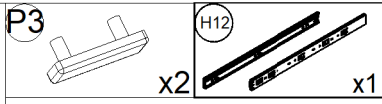
01



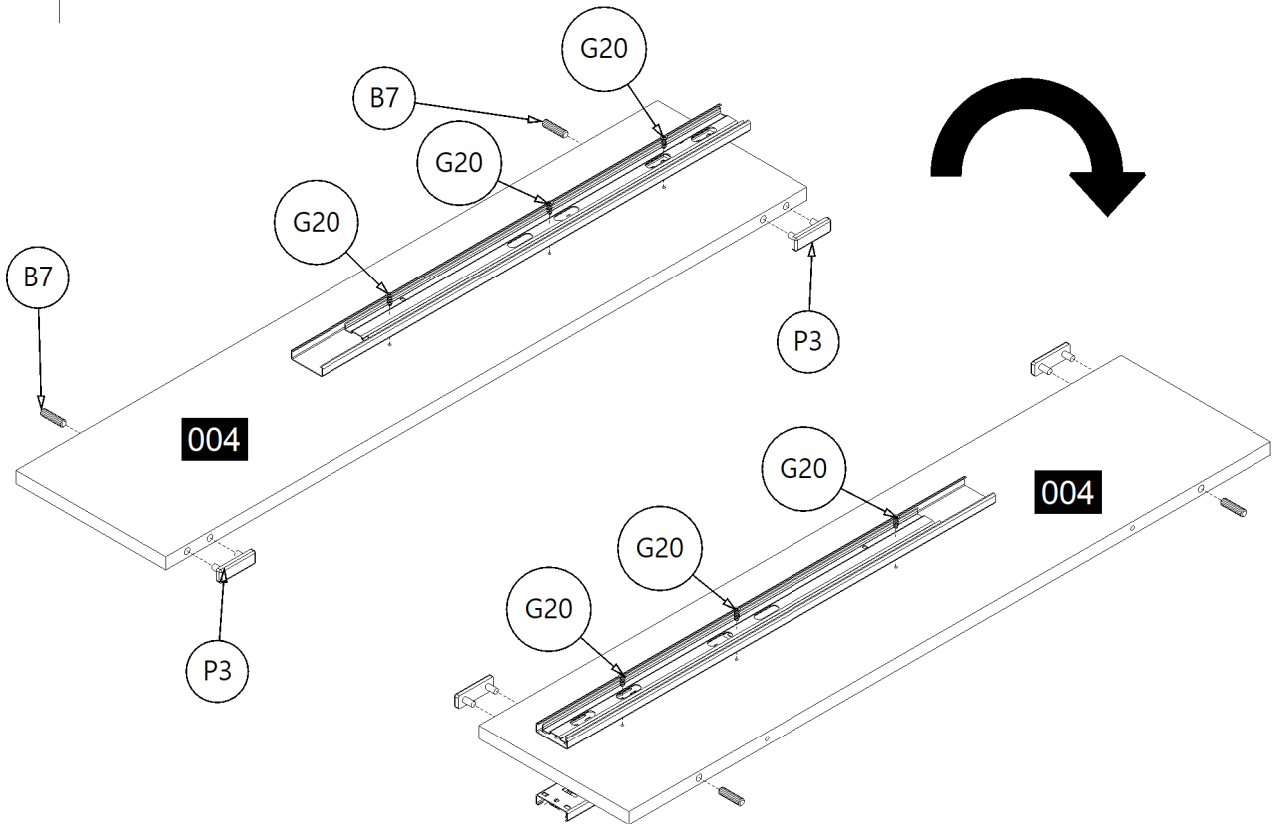
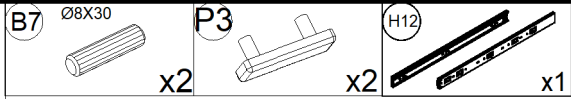
02



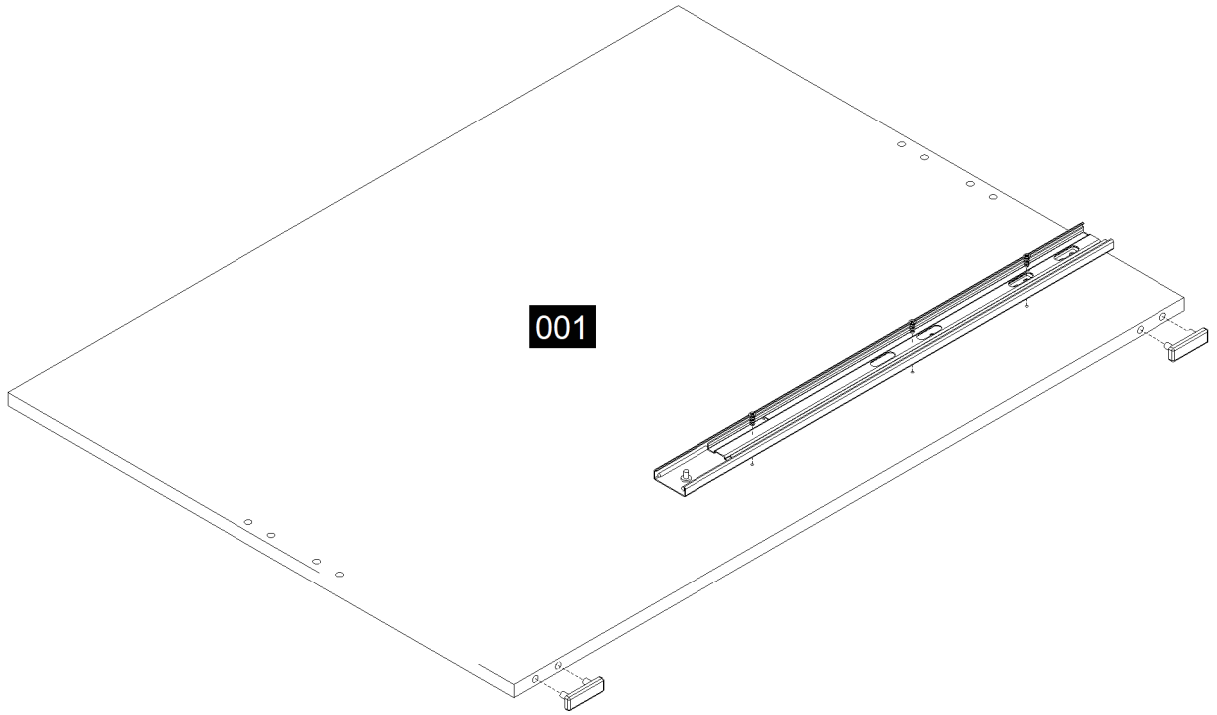
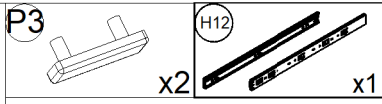
03



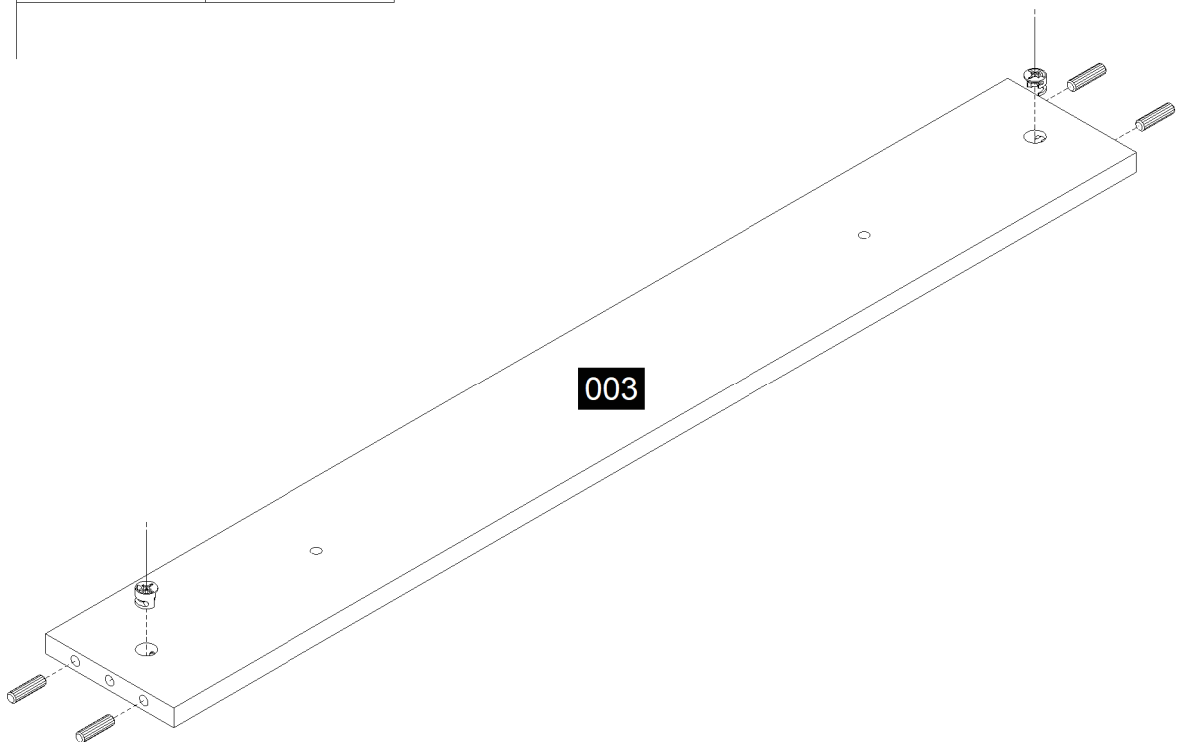
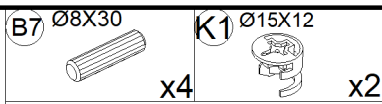
04



05

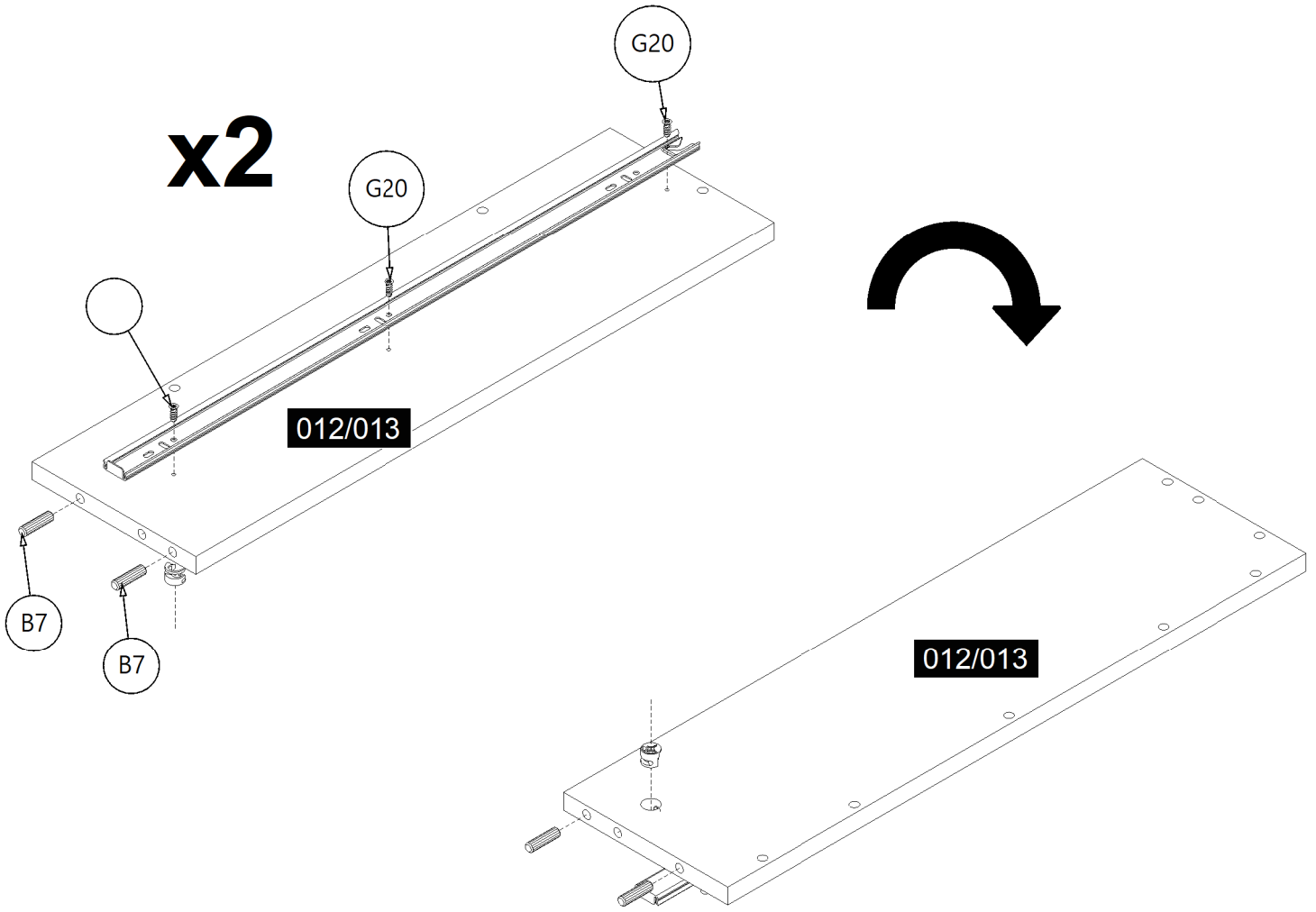


06



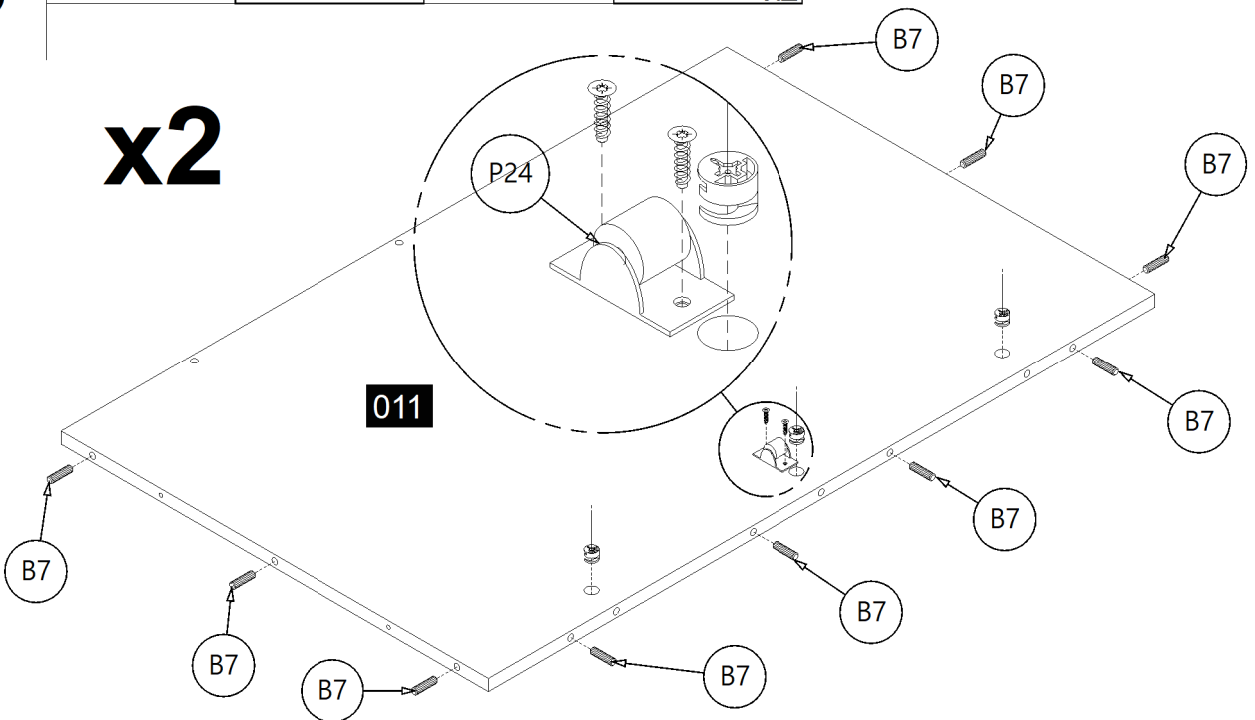
07

- B7 $\varnothing 8 \times 30$ x4
- K1 $\varnothing 15 \times 12$ x2
- G20 5X13 x6
- H12 x2

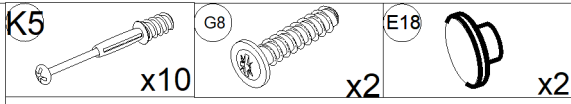


08

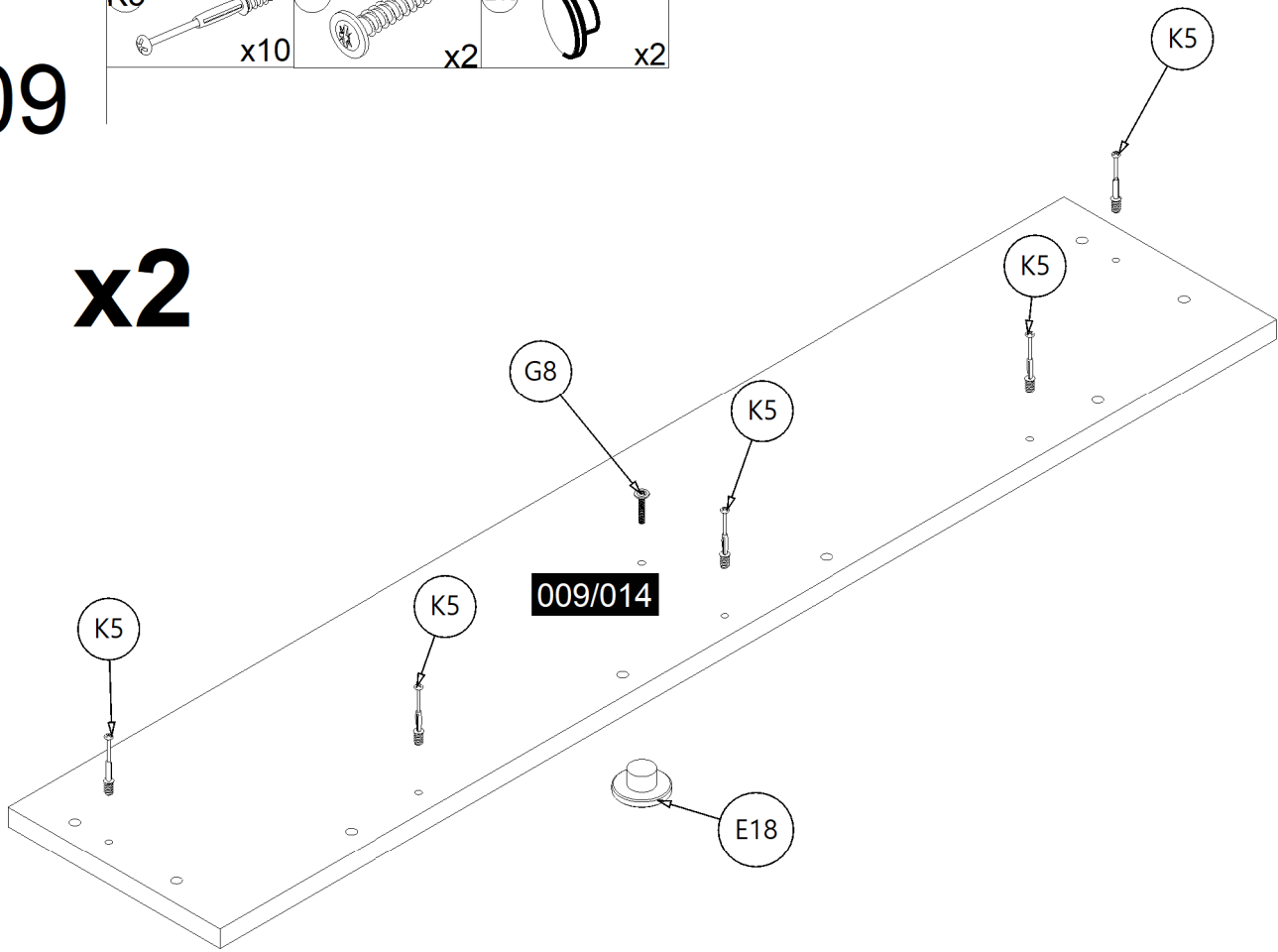
- B7 $\varnothing 8 \times 30$ x20
- G4 4X16 x4
- K1 $\varnothing 15 \times 12$ x6
- P24 x2



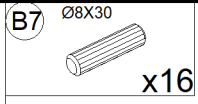
09



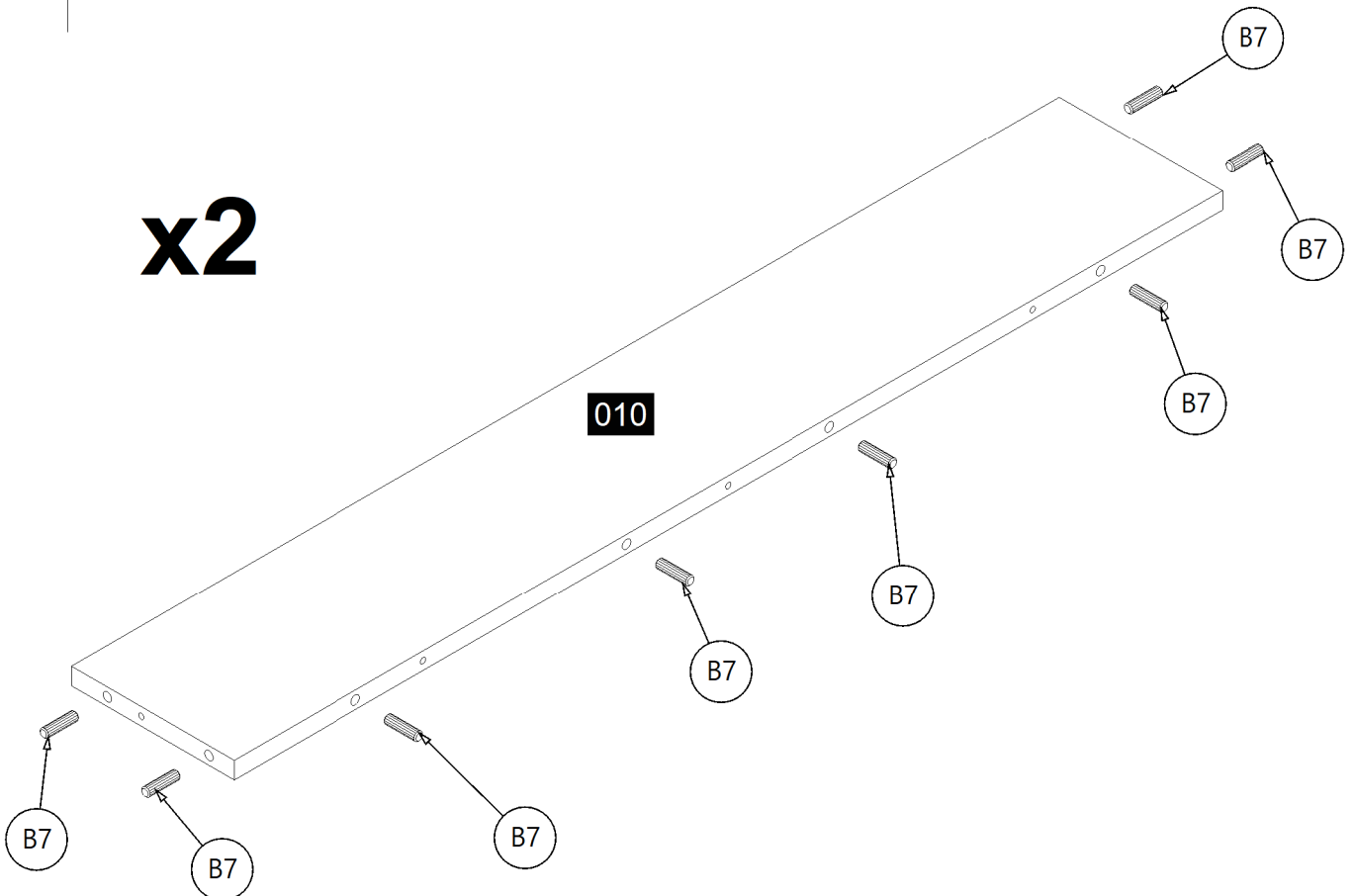
x2



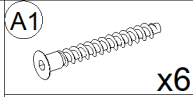
10



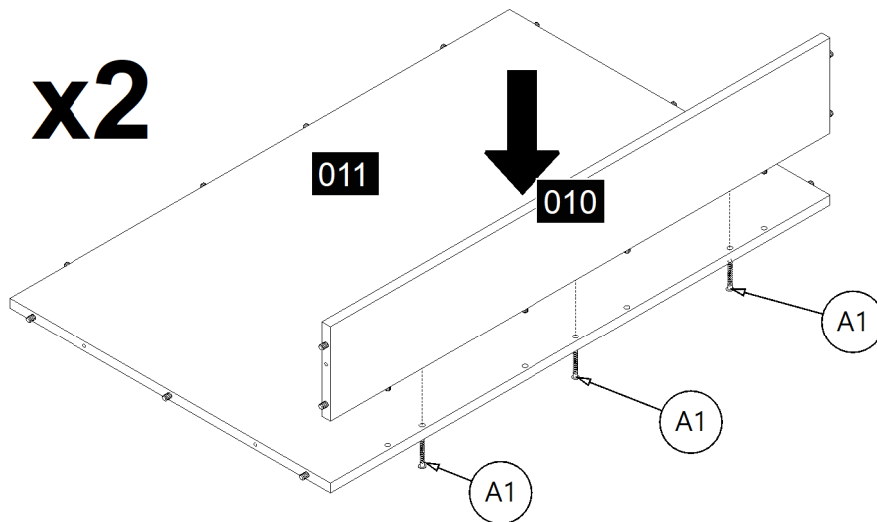
x2



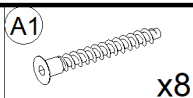
11



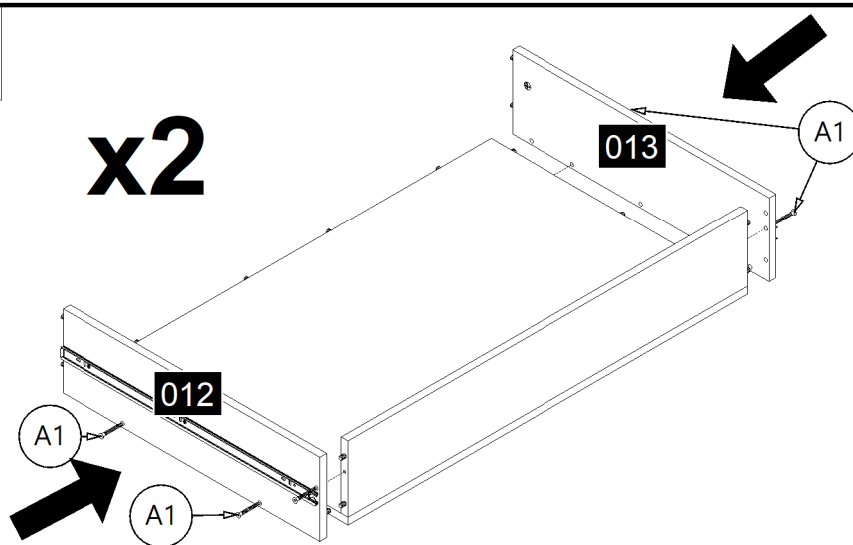
x2



12

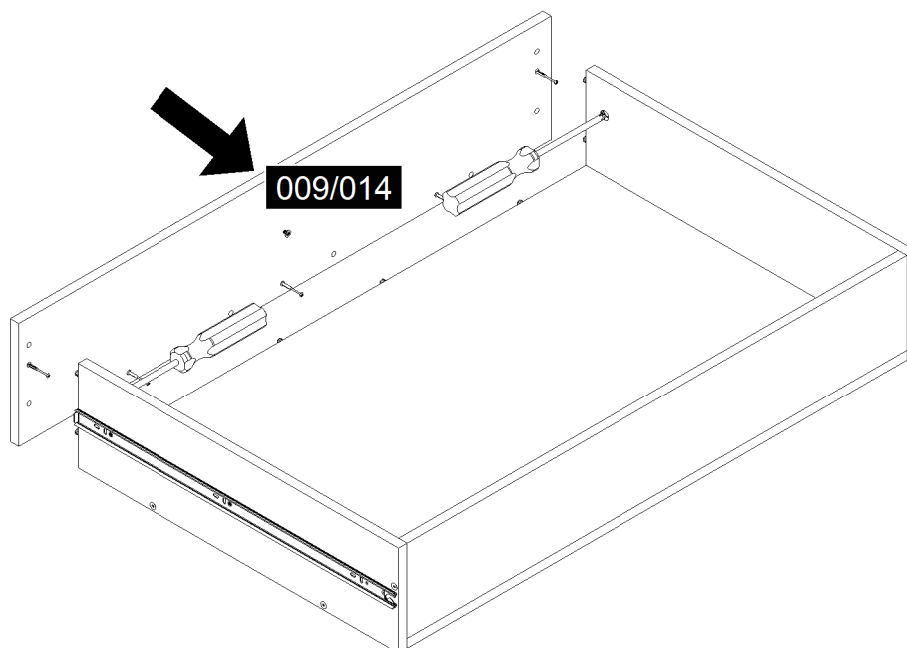


x2

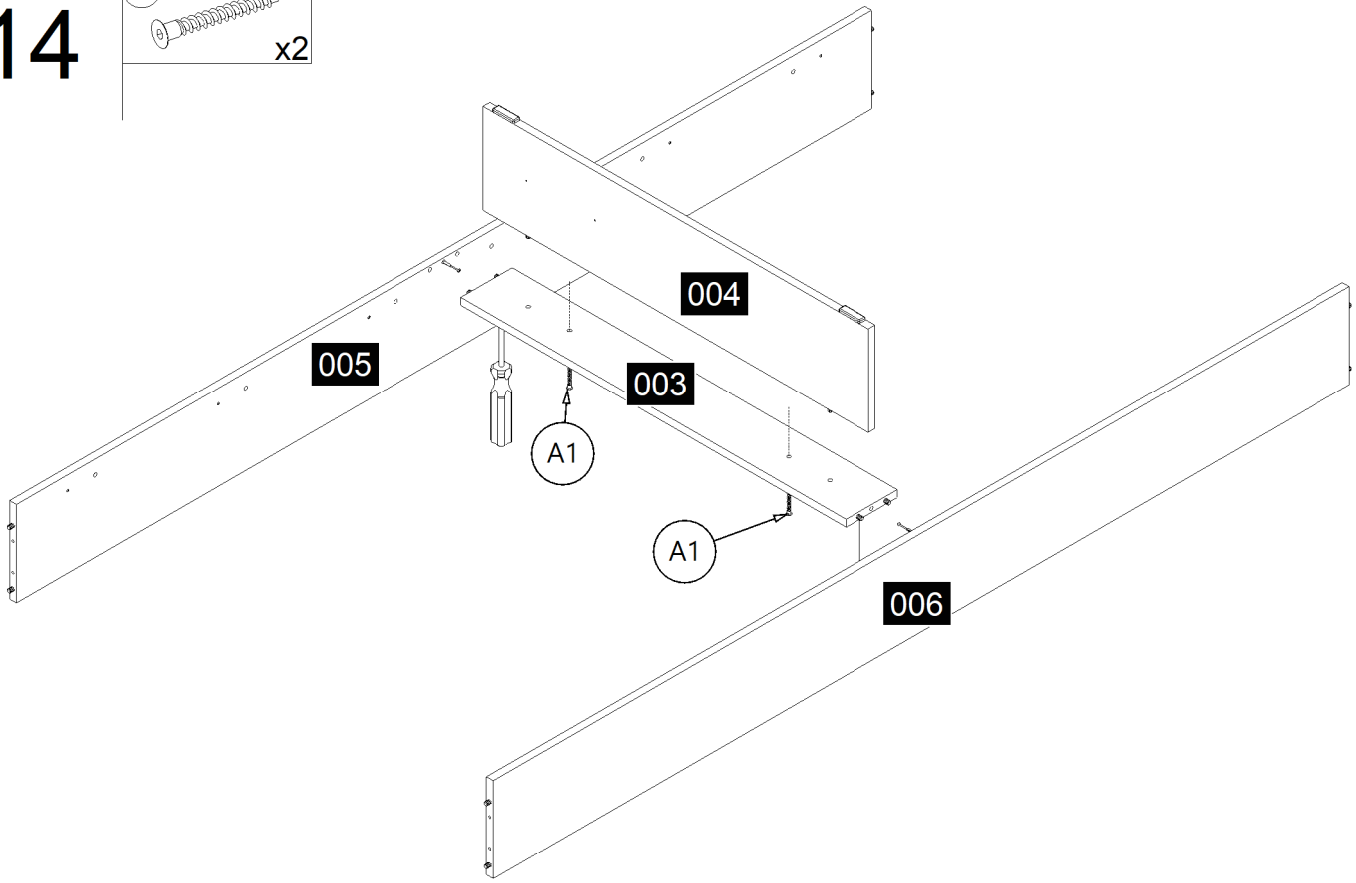
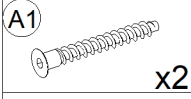


13

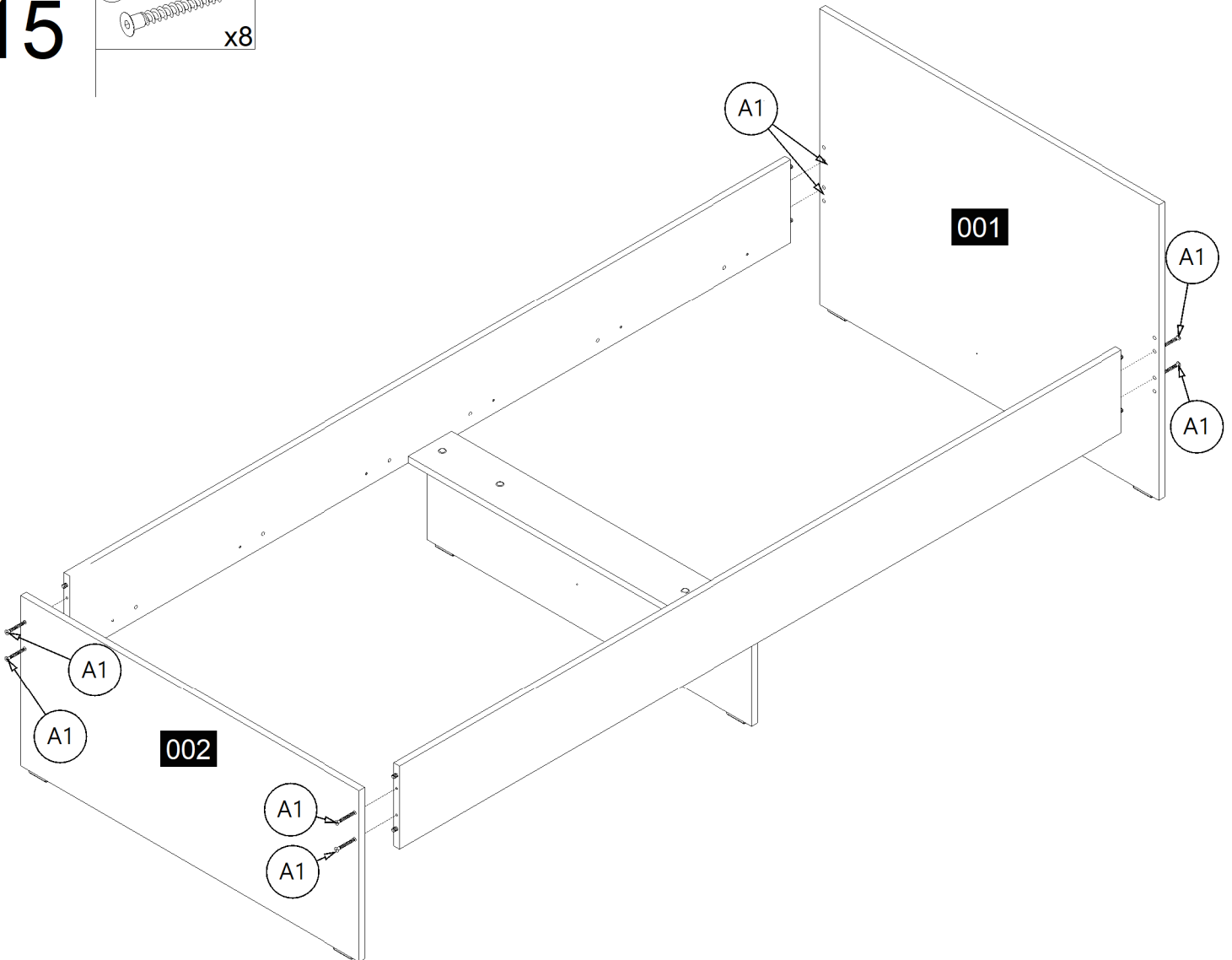
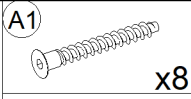
x2



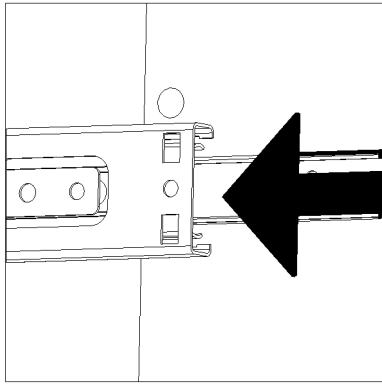
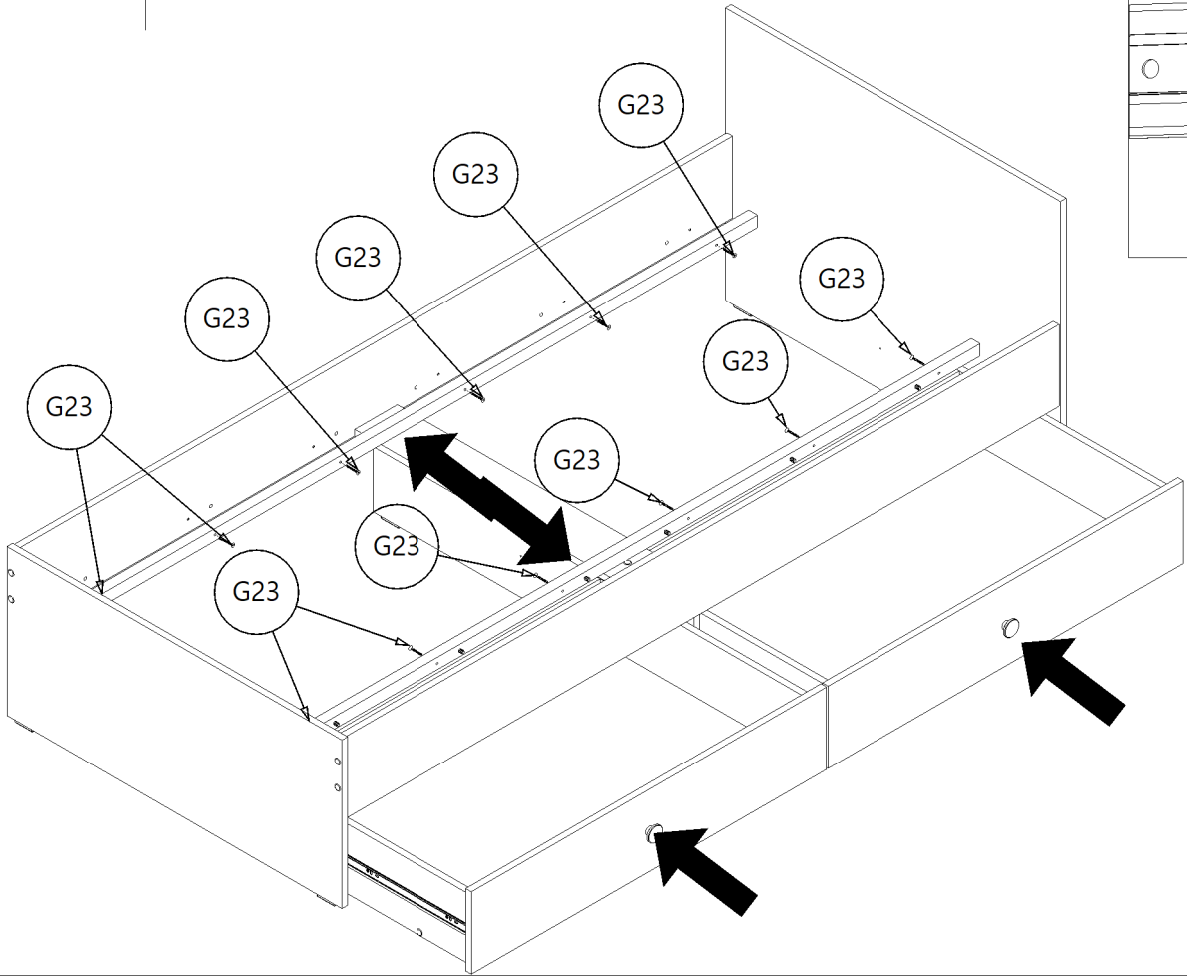
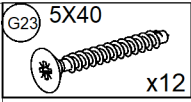
14



15



16



17

