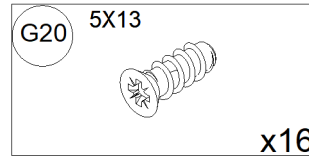
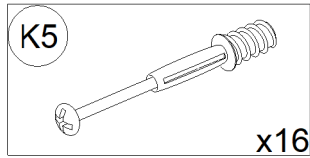
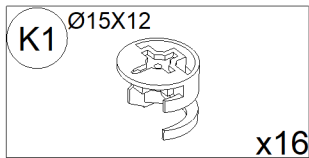
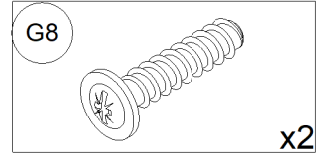
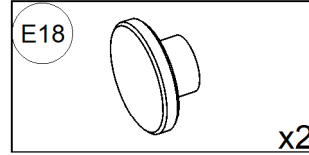
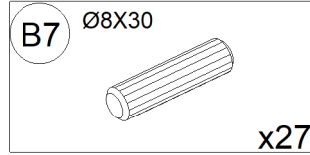
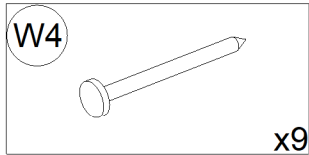
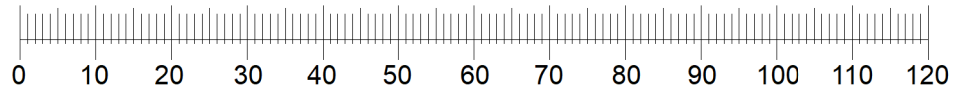
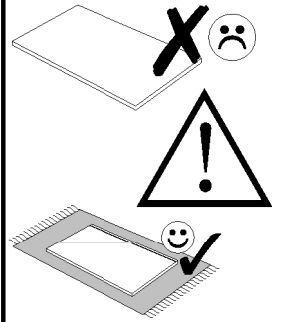
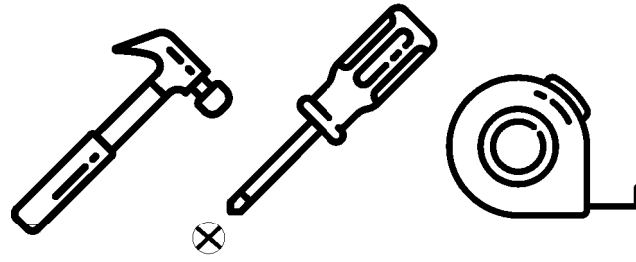
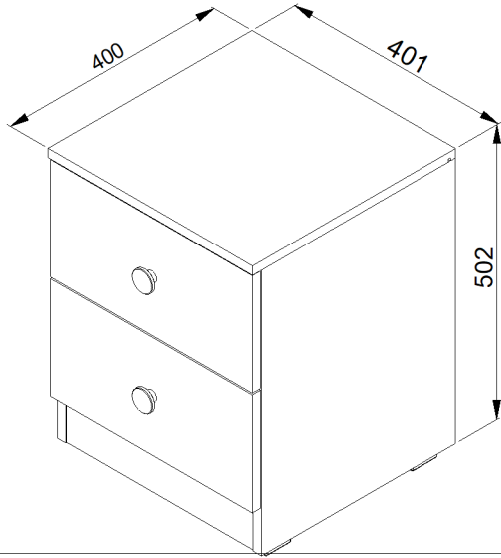
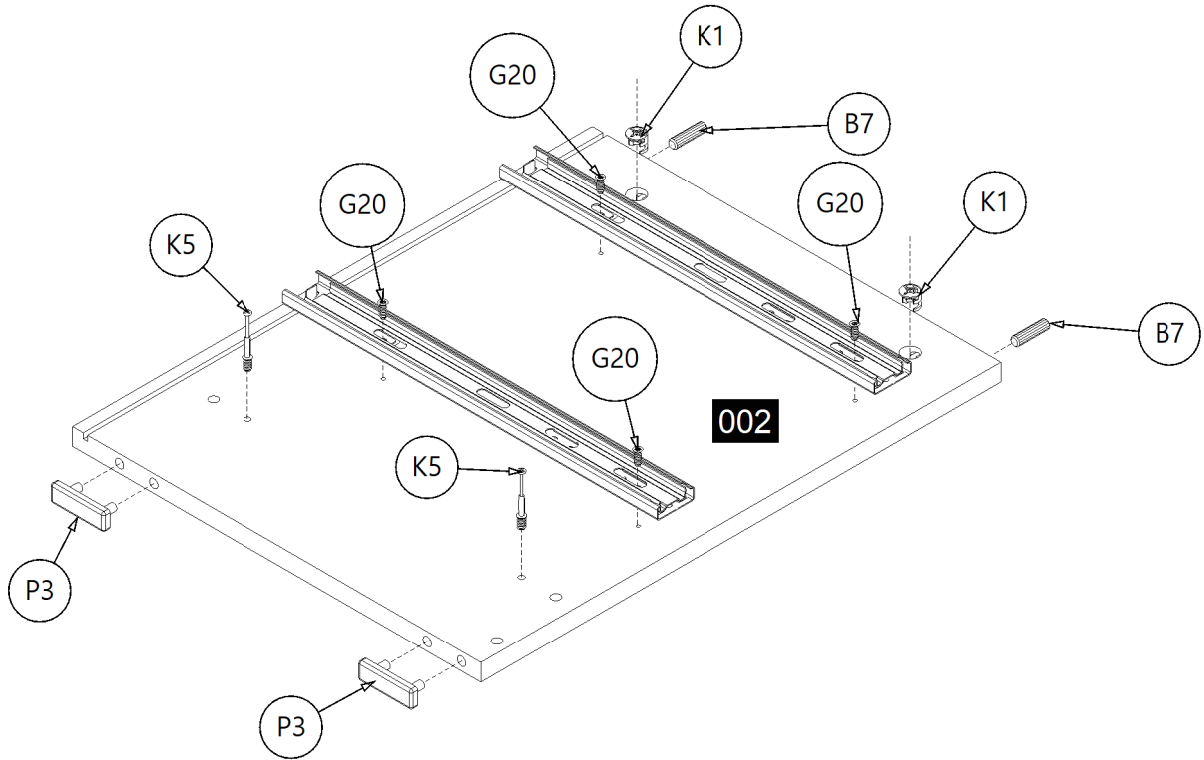
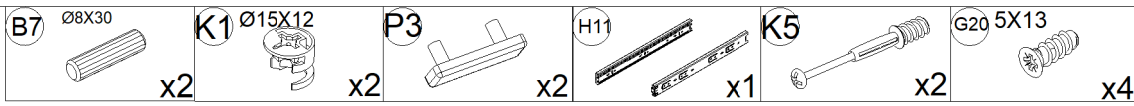


# NERO 09

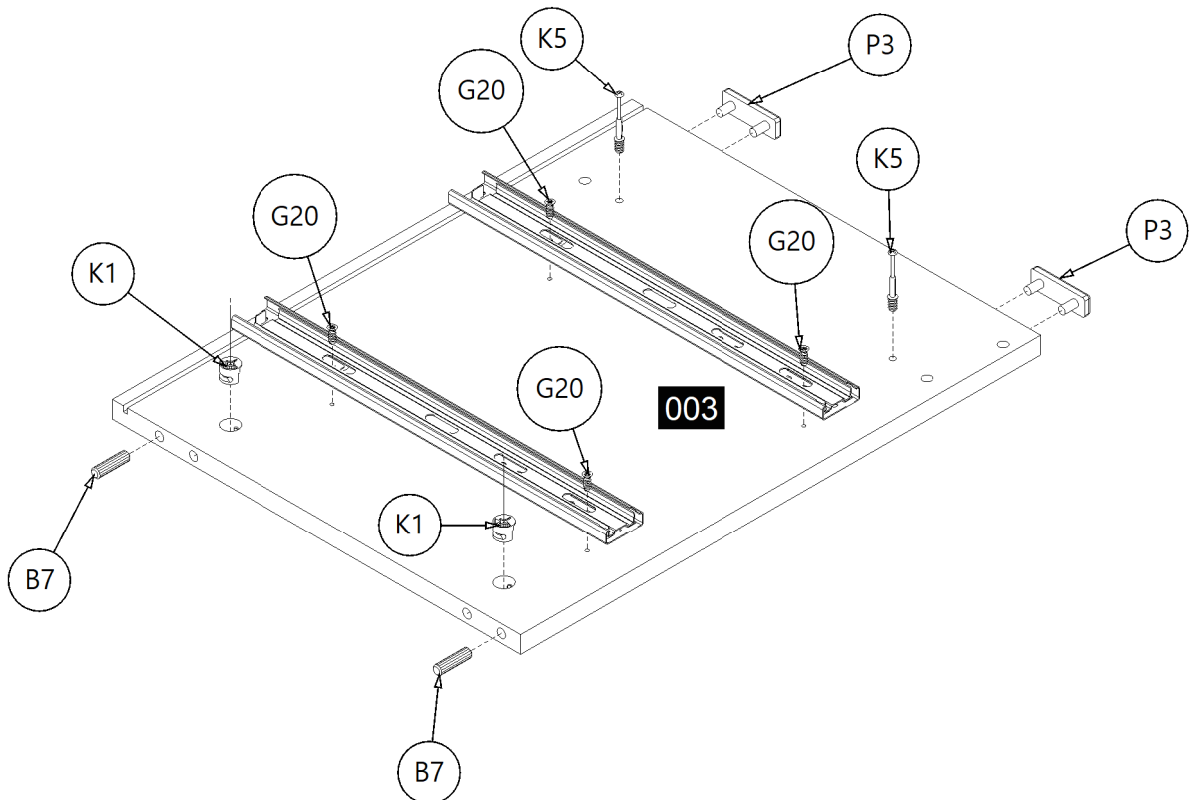
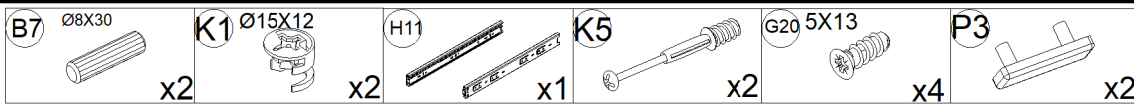
# KONTENER



# 01

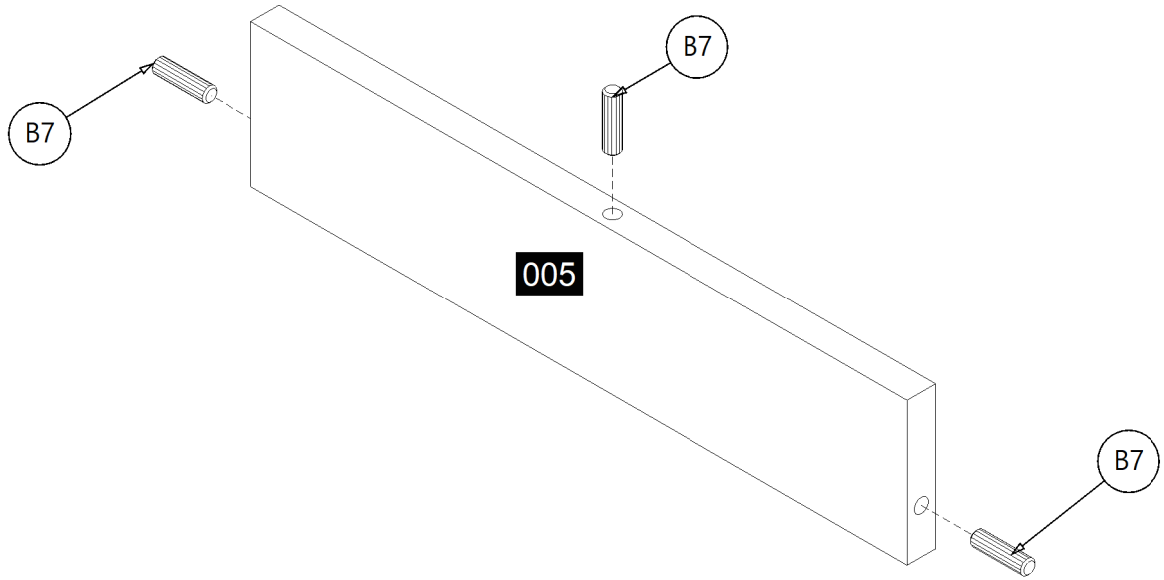


# 02



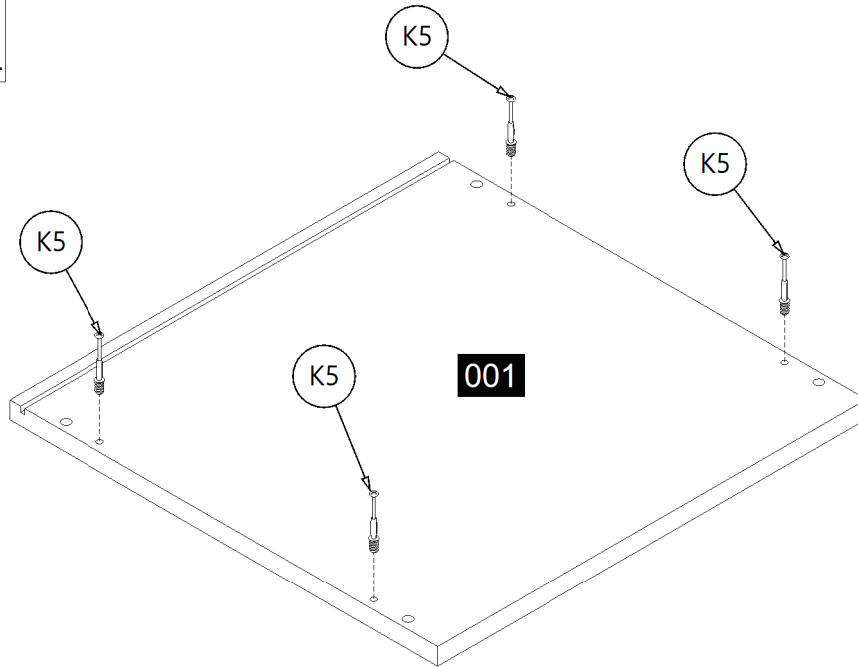
# 03

B7  $\varnothing 8 \times 30$   
x3



# 04

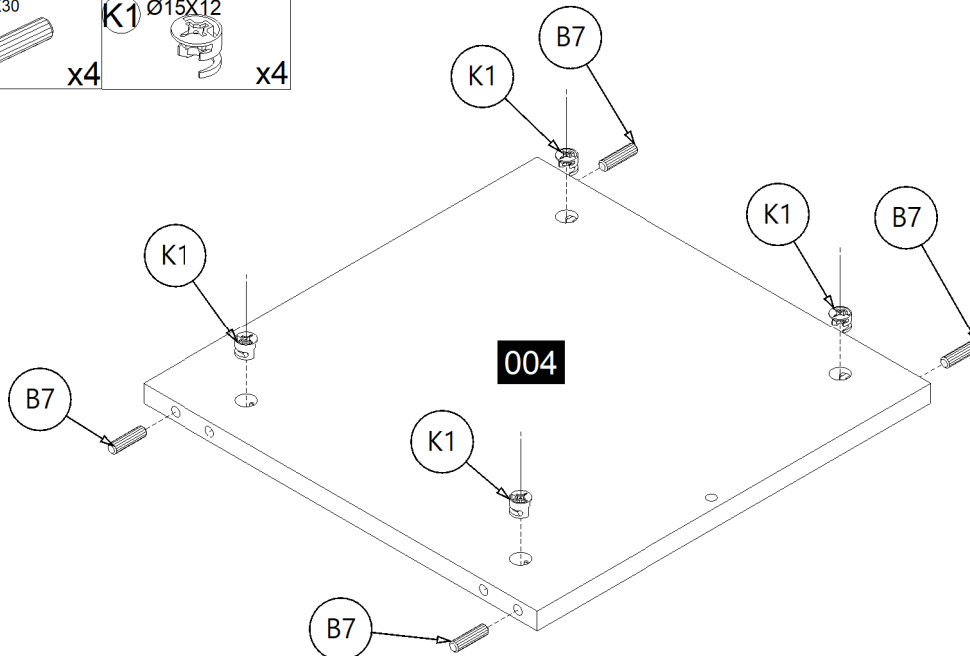
K5  
x4



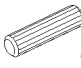



# 05

B7  $\varnothing 8 \times 30$   
x4

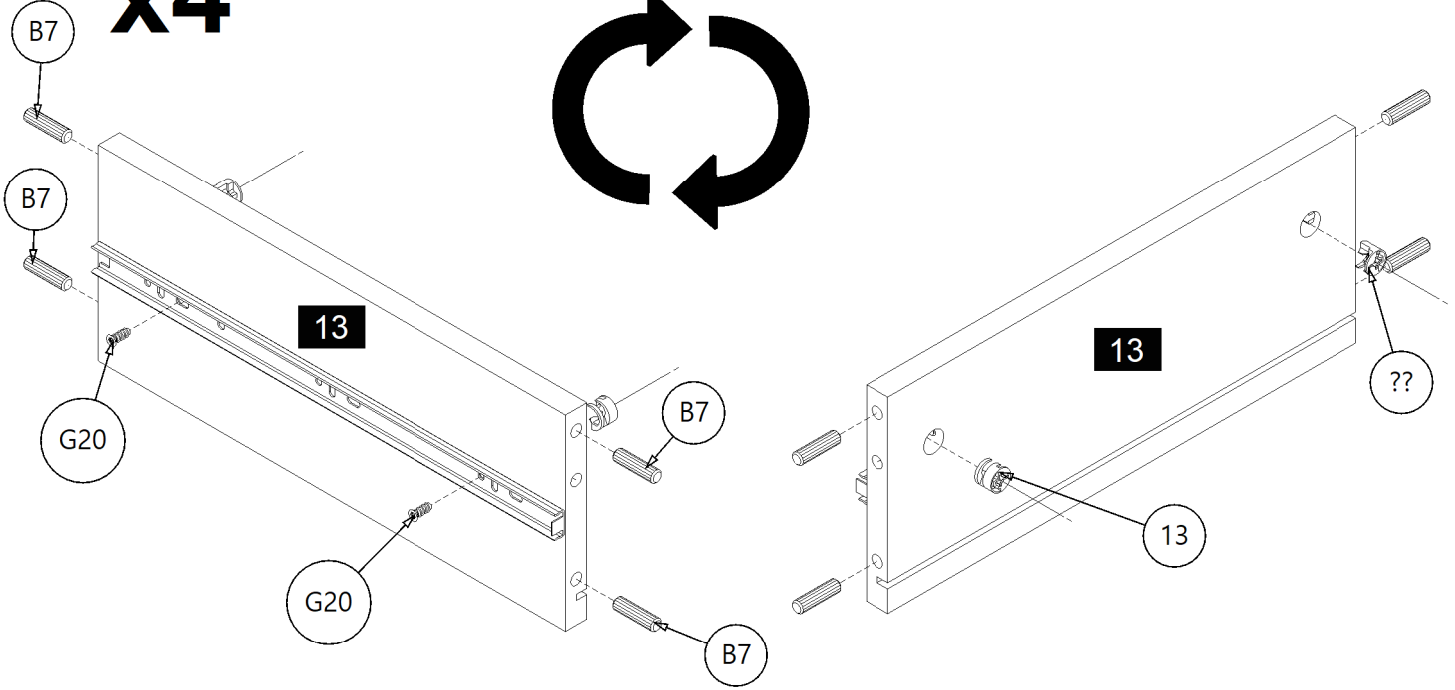
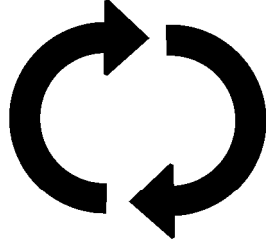
K1  $\varnothing 15 \times 12$   
x4






# 06

<b>B7</b> $\varnothing 8 \times 30$  x16	<b>K1</b> $\varnothing 15 \times 12$  x8	<b>G20</b> 5X13  x8	<b>H11</b>  x2
--	--	---	--

## x4

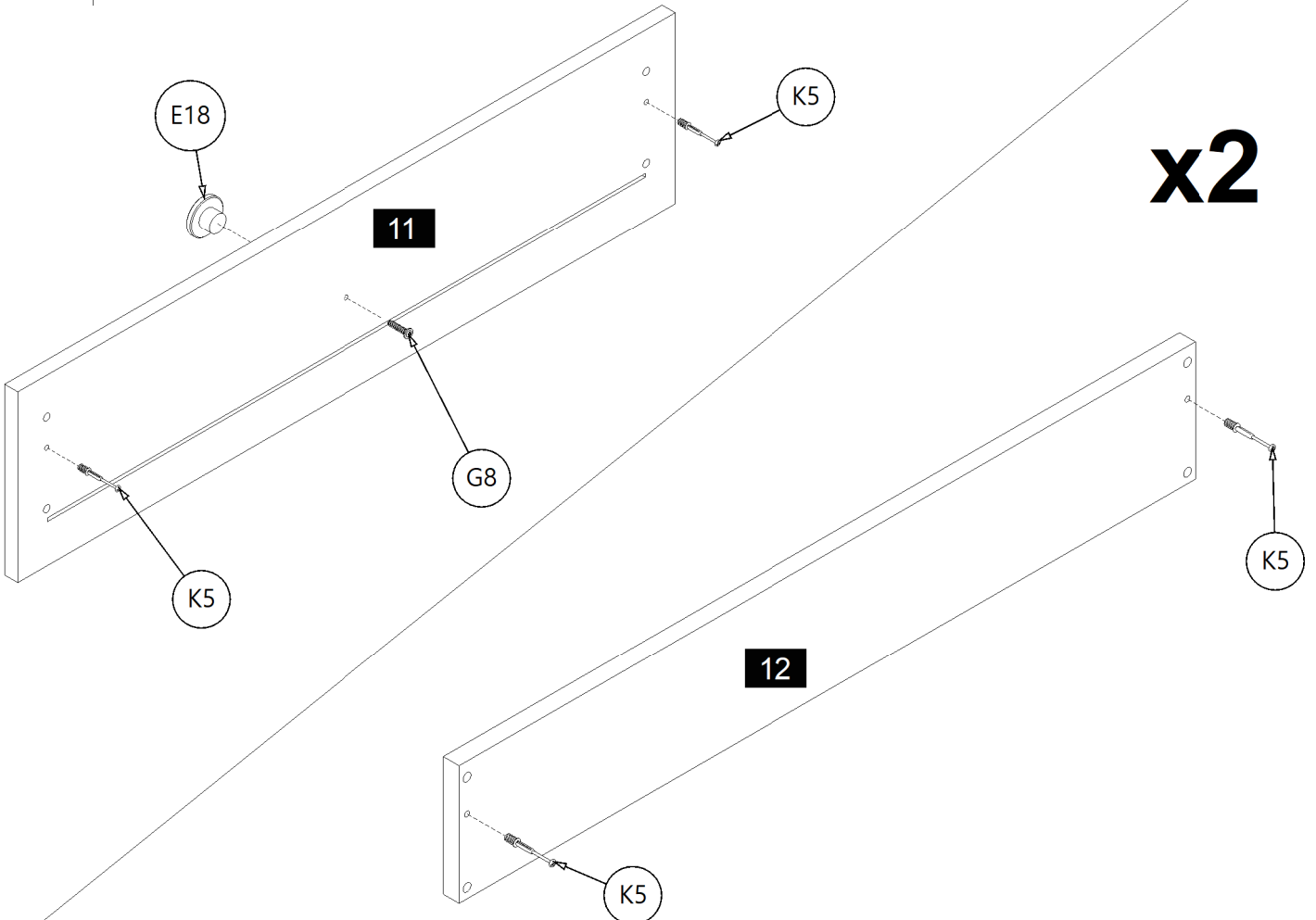


# 07

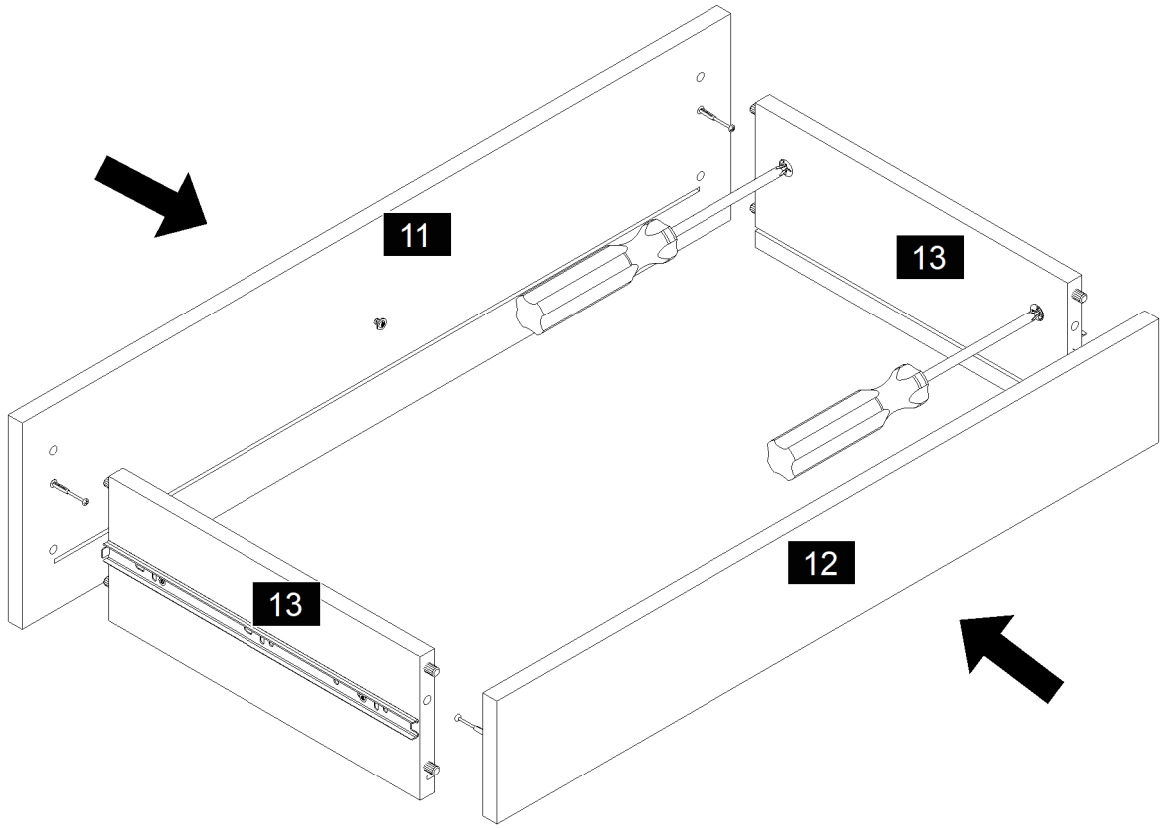
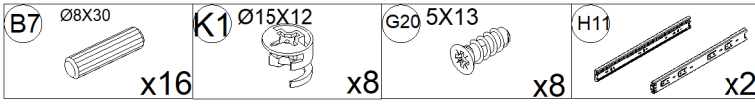
<b>K5</b>  x8	<b>G8</b>  x2	<b>E18</b>  x2
---	---	--

## x2

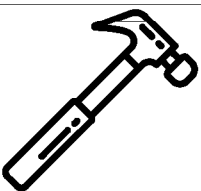
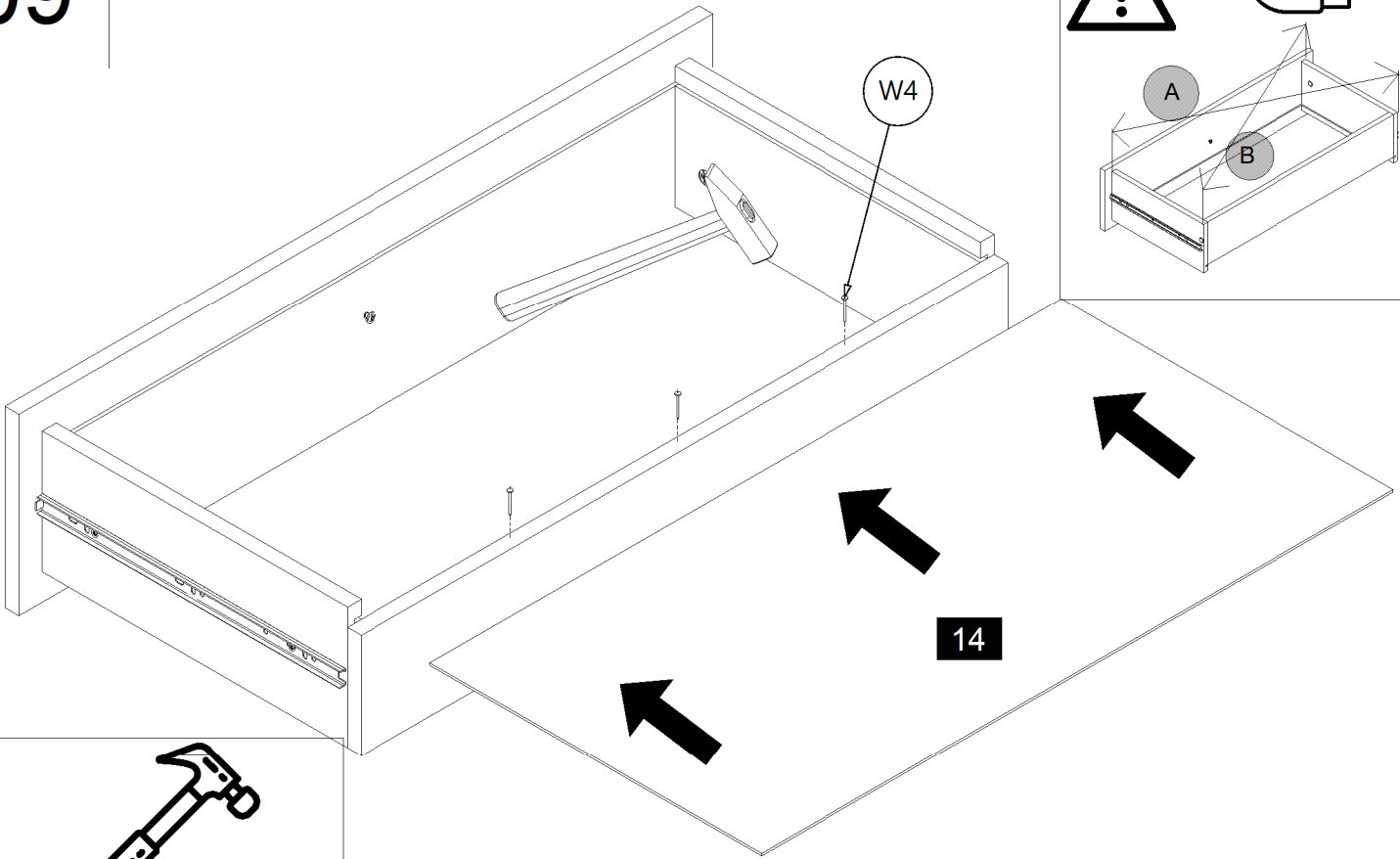
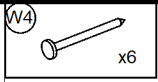
## x2



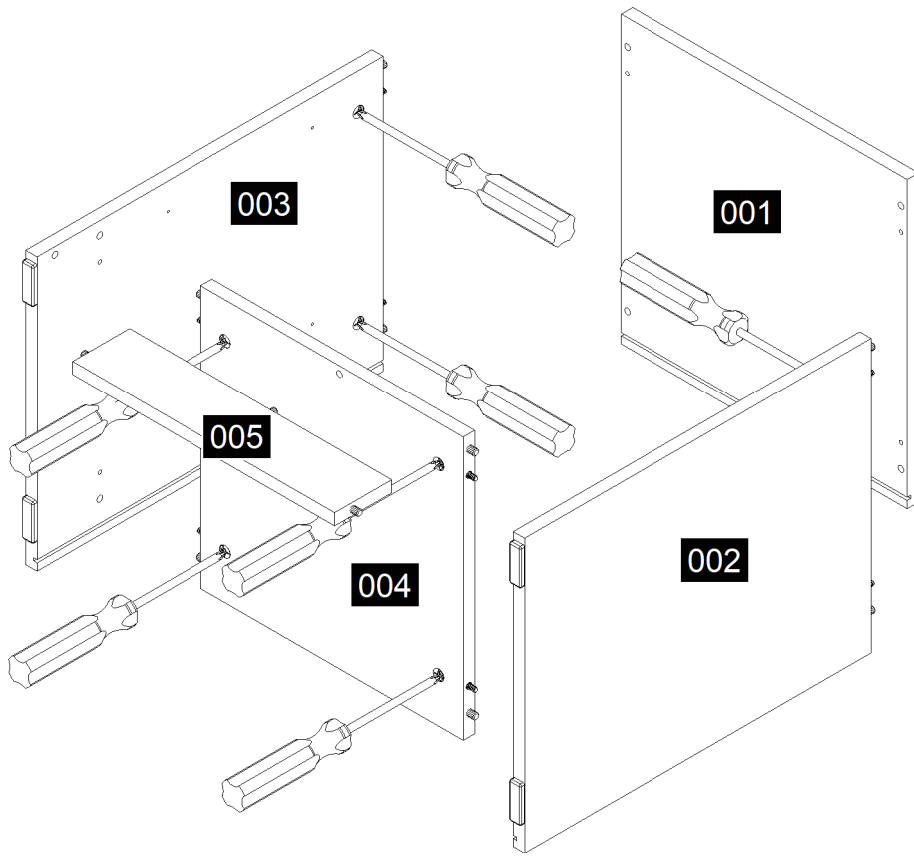
# 08



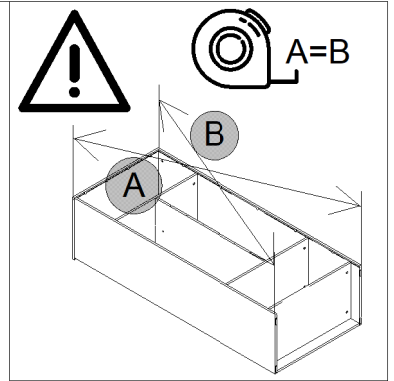
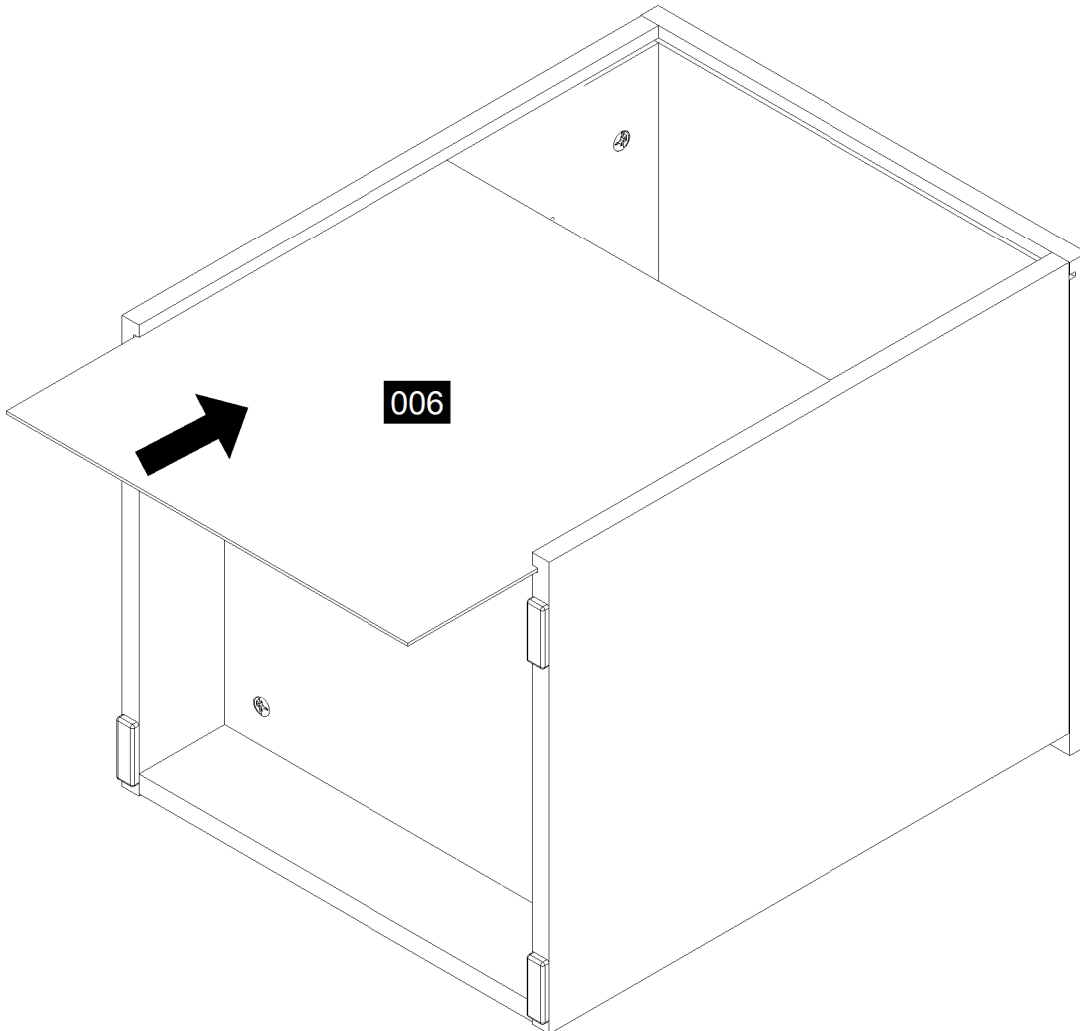
# 09



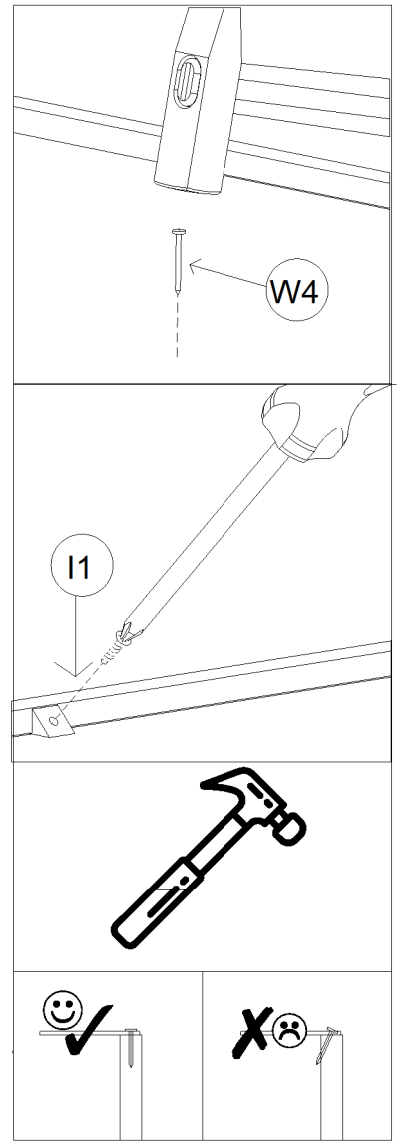
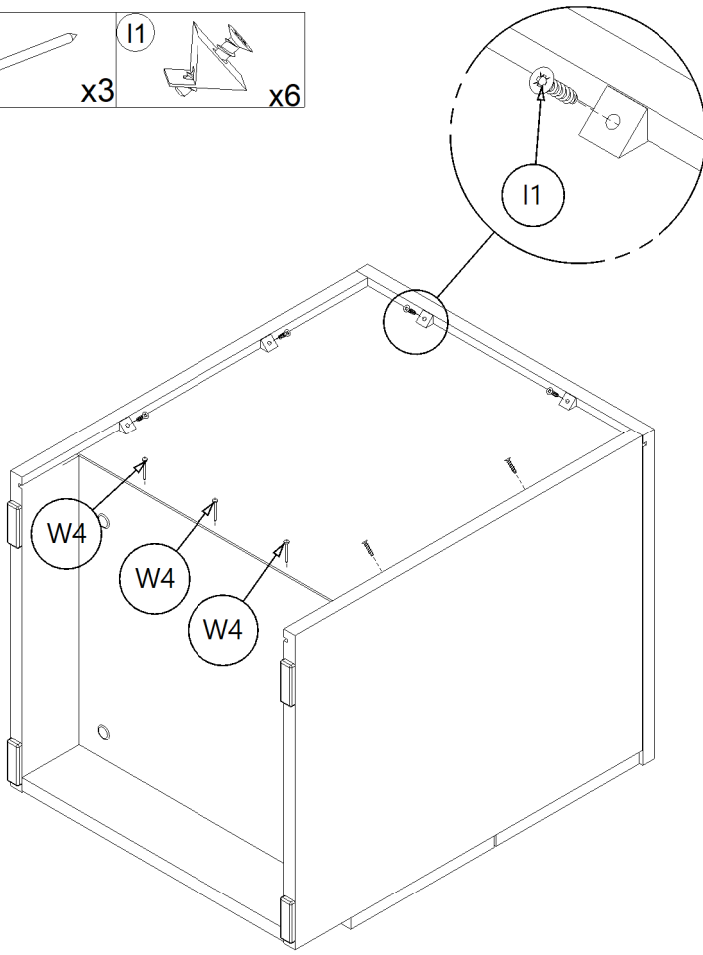
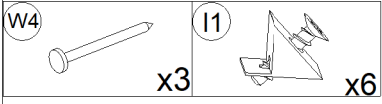
10



11



# 12



# 13

