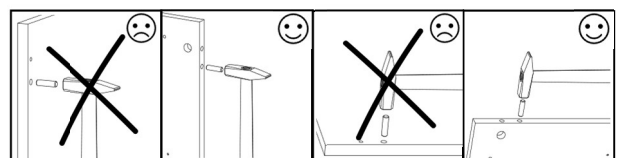
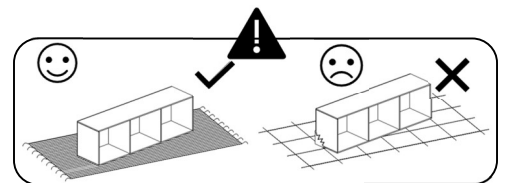
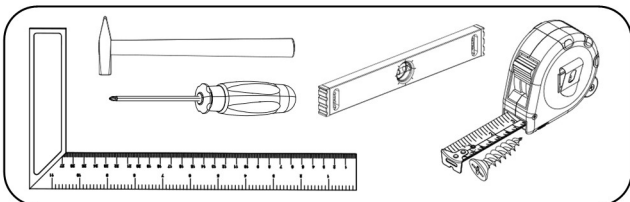
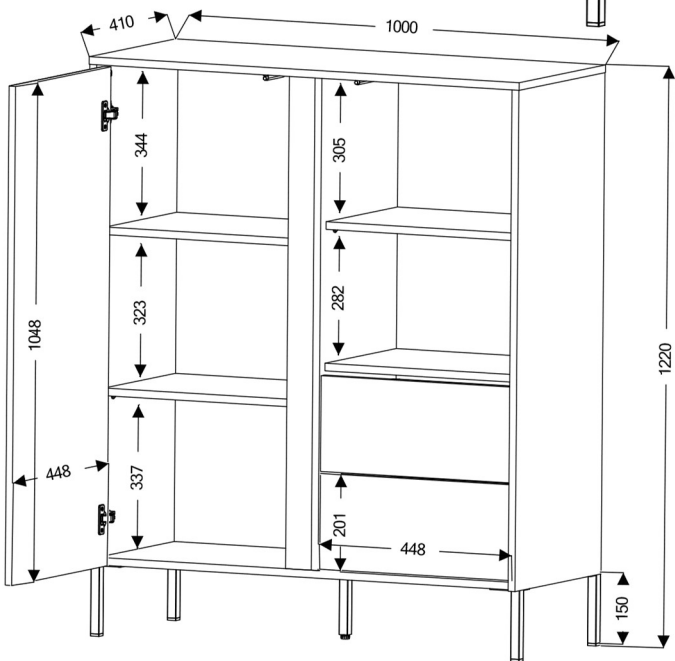
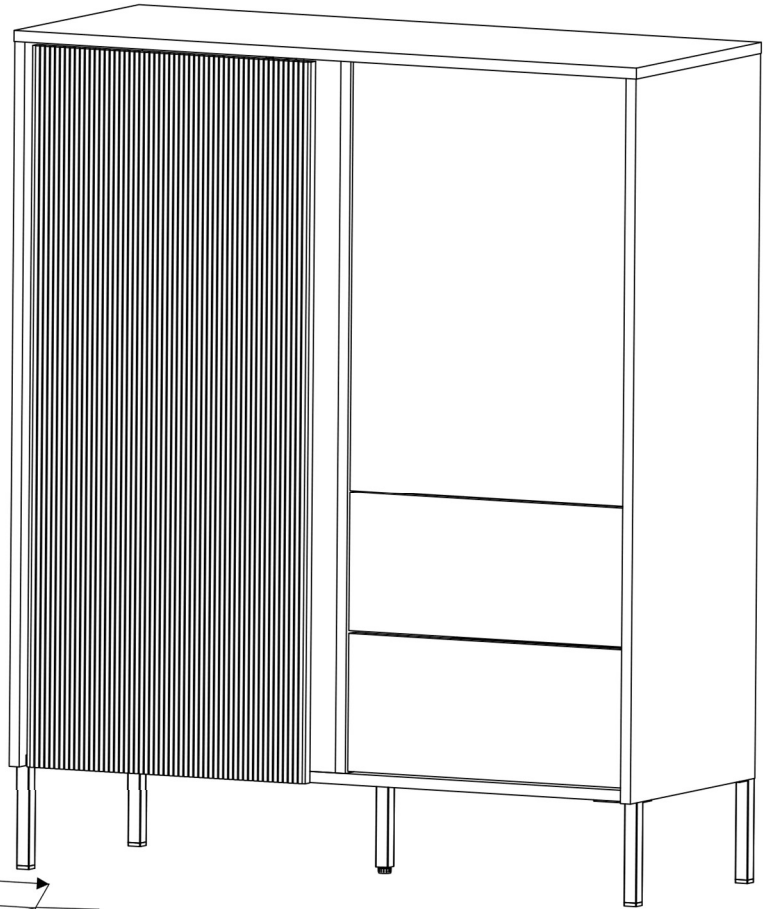
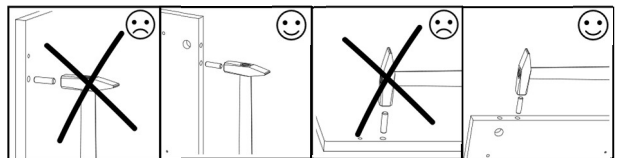
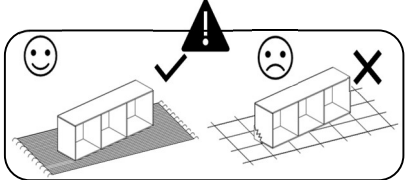
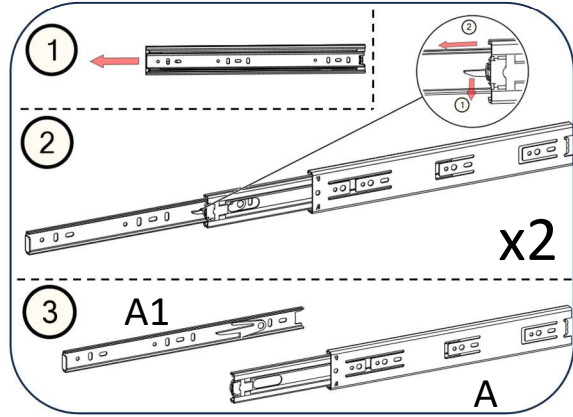
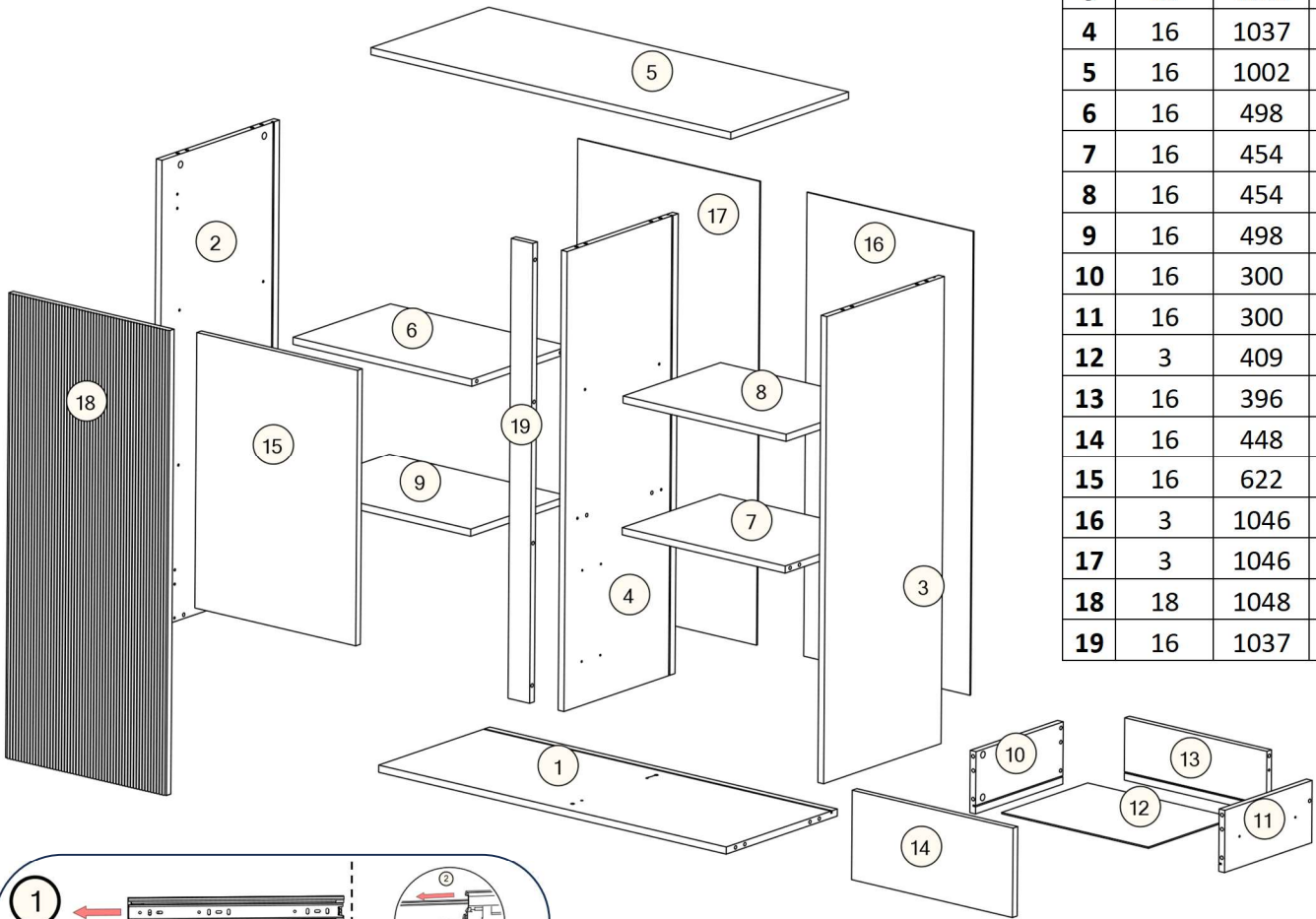


Mia 1

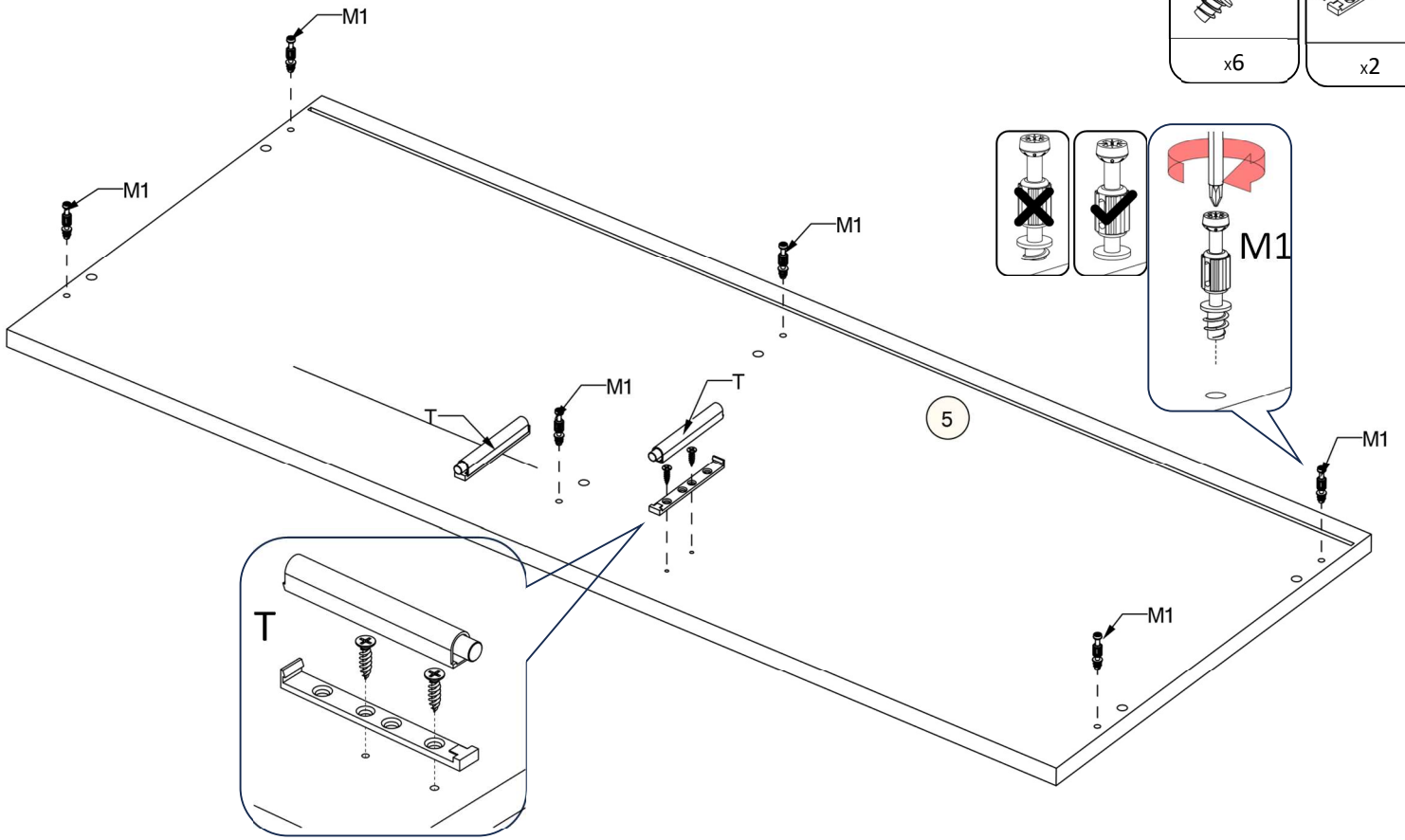


No	T(mm)	L(mm)	W(mm)	Stc
1	16	968	382	1
2	16	1053	404	1
3	16	1053	404	1
4	16	1037	382	1
5	16	1002	405	1
6	16	498	335	1
7	16	454	335	1
8	16	454	335	1
9	16	498	335	1
10	16	300	140	2
11	16	300	140	2
12	3	409	296	2
13	16	396	140	2
14	16	448	201	2
15	16	622	448	1
16	3	1046	463	1
17	3	1046	507	1
18	18	1048	448	1
19	16	1037	60	1

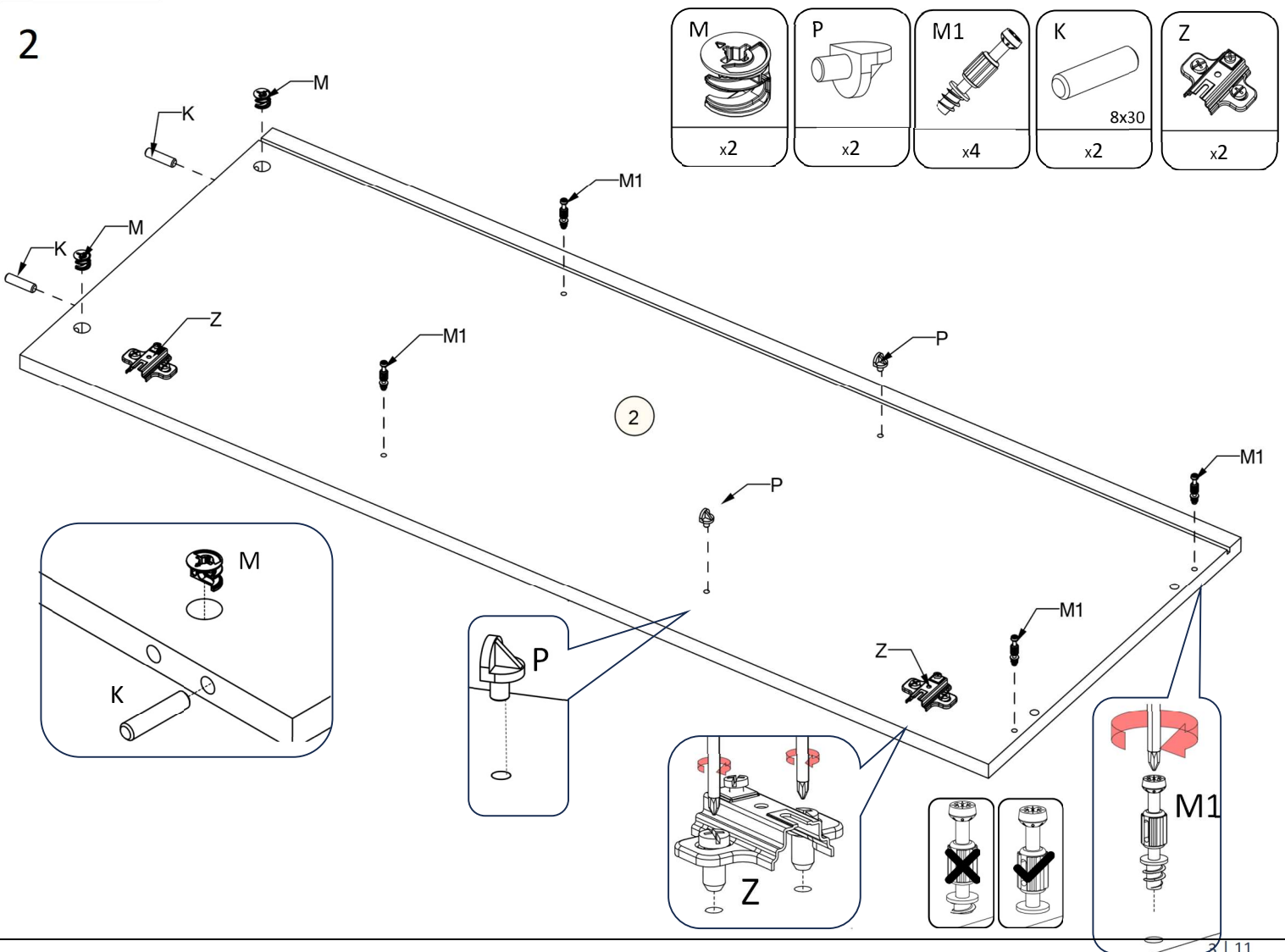


K 8x30 x32	M1 x28	M x28	Z x4	D4 4x16 x28	Z1 x4	E2 6,3x13 x8	ZM x28	F 7x50 x4	T x2
P x8	Y x1	S x12	E1 5x13 x8	KL x1	GL x1	N x2	N1 x1	N2 x2	

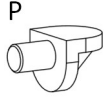
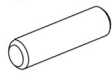



1

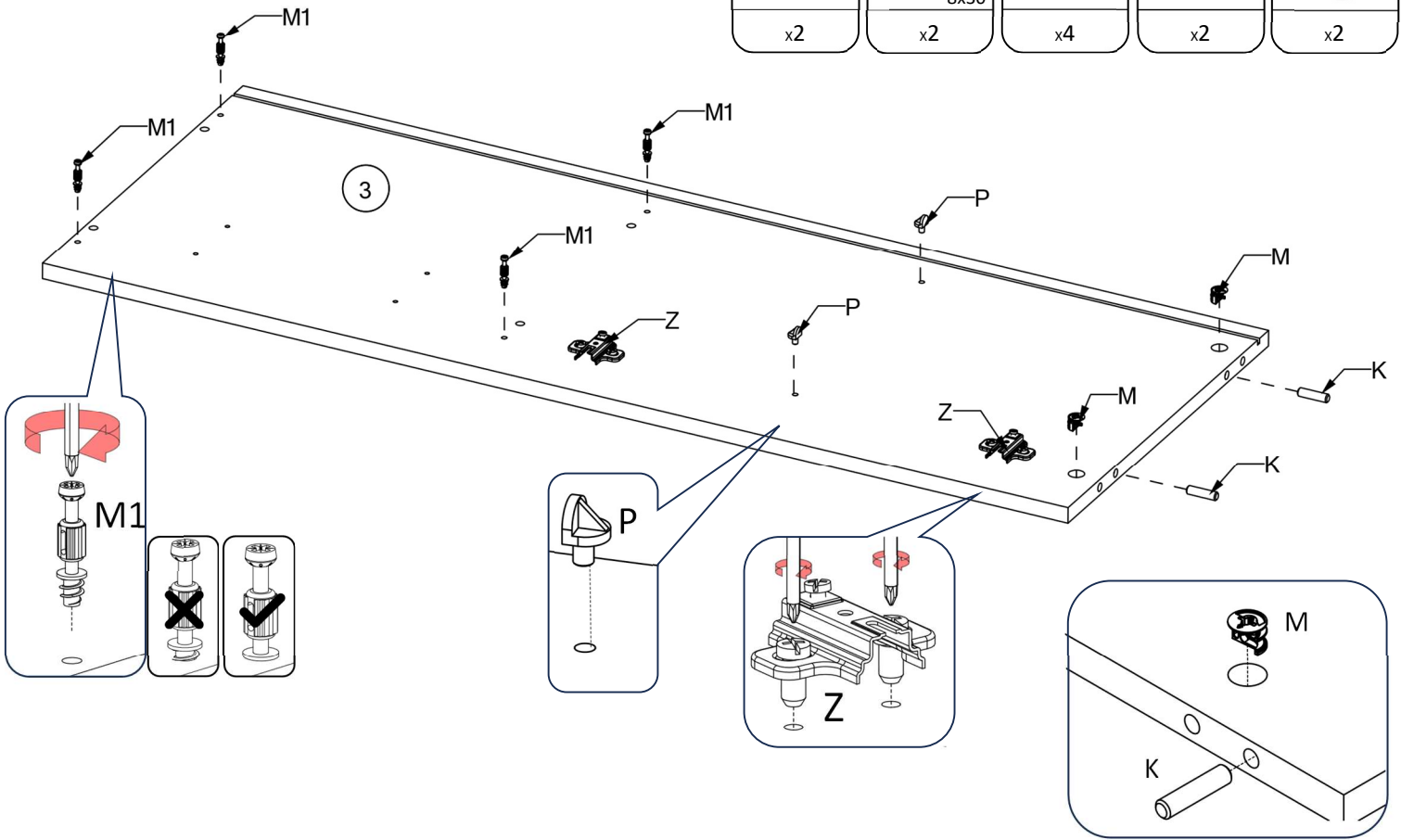


2




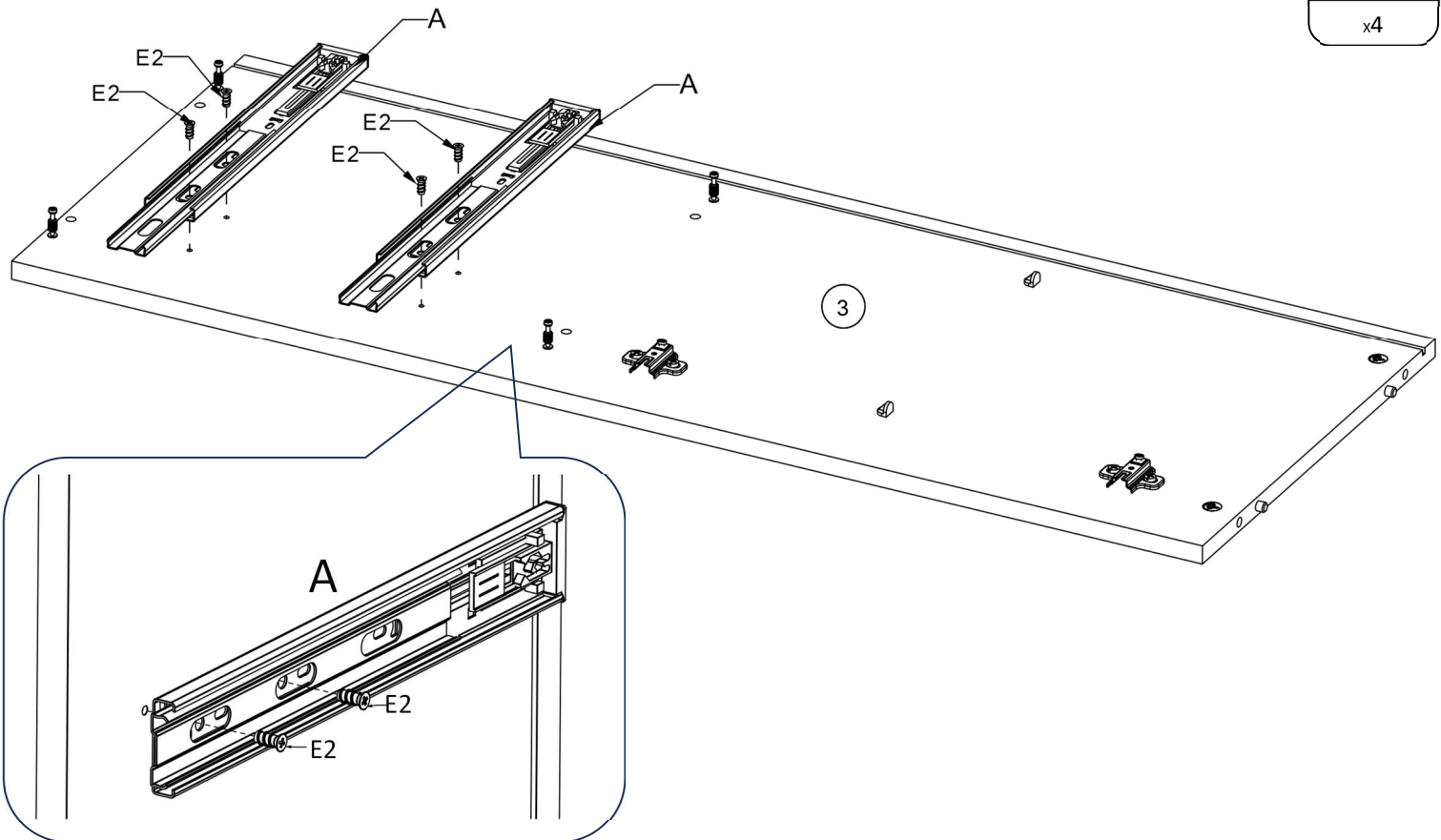
3

 P	 K 8x30	 M1	 Z	 M
x2	x2	x4	x2	x2

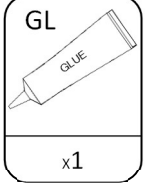
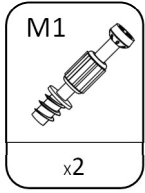
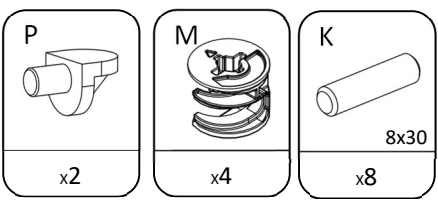
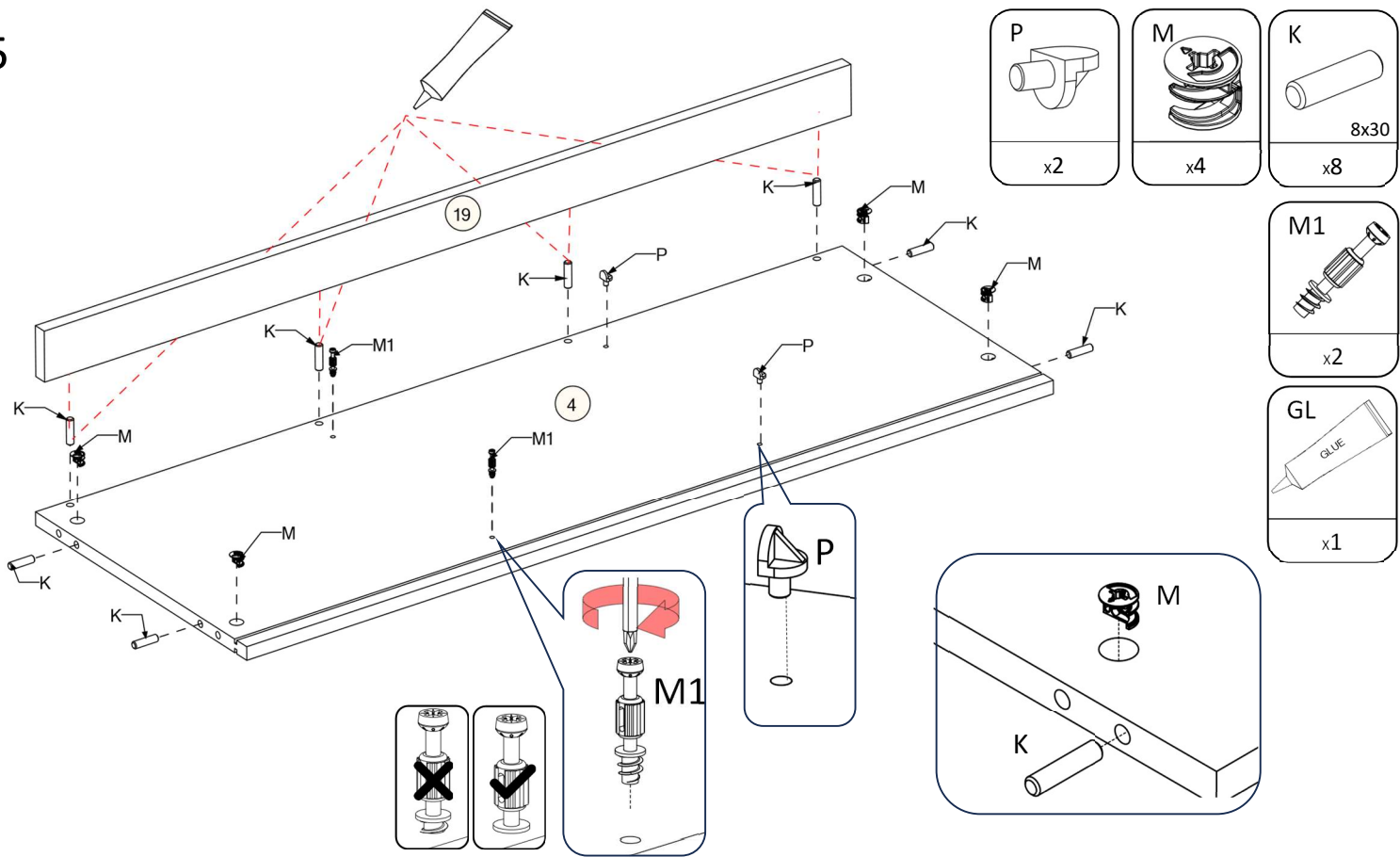


4

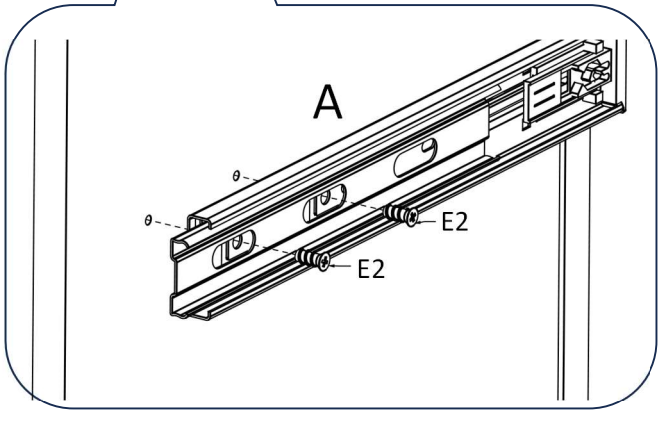
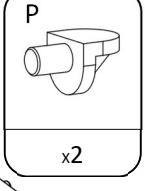
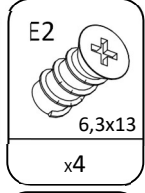
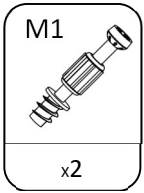
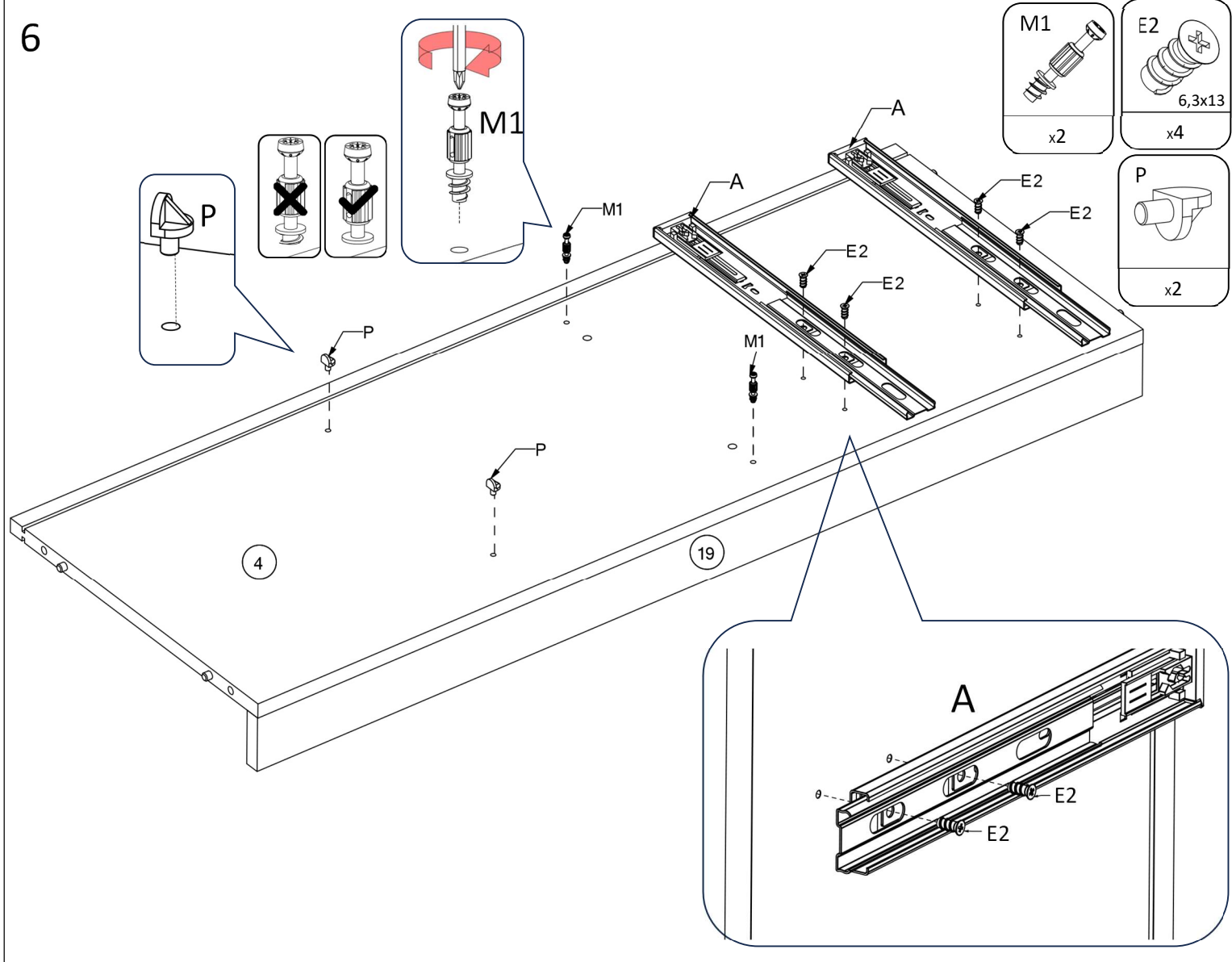
 E2 6,3x13
x4



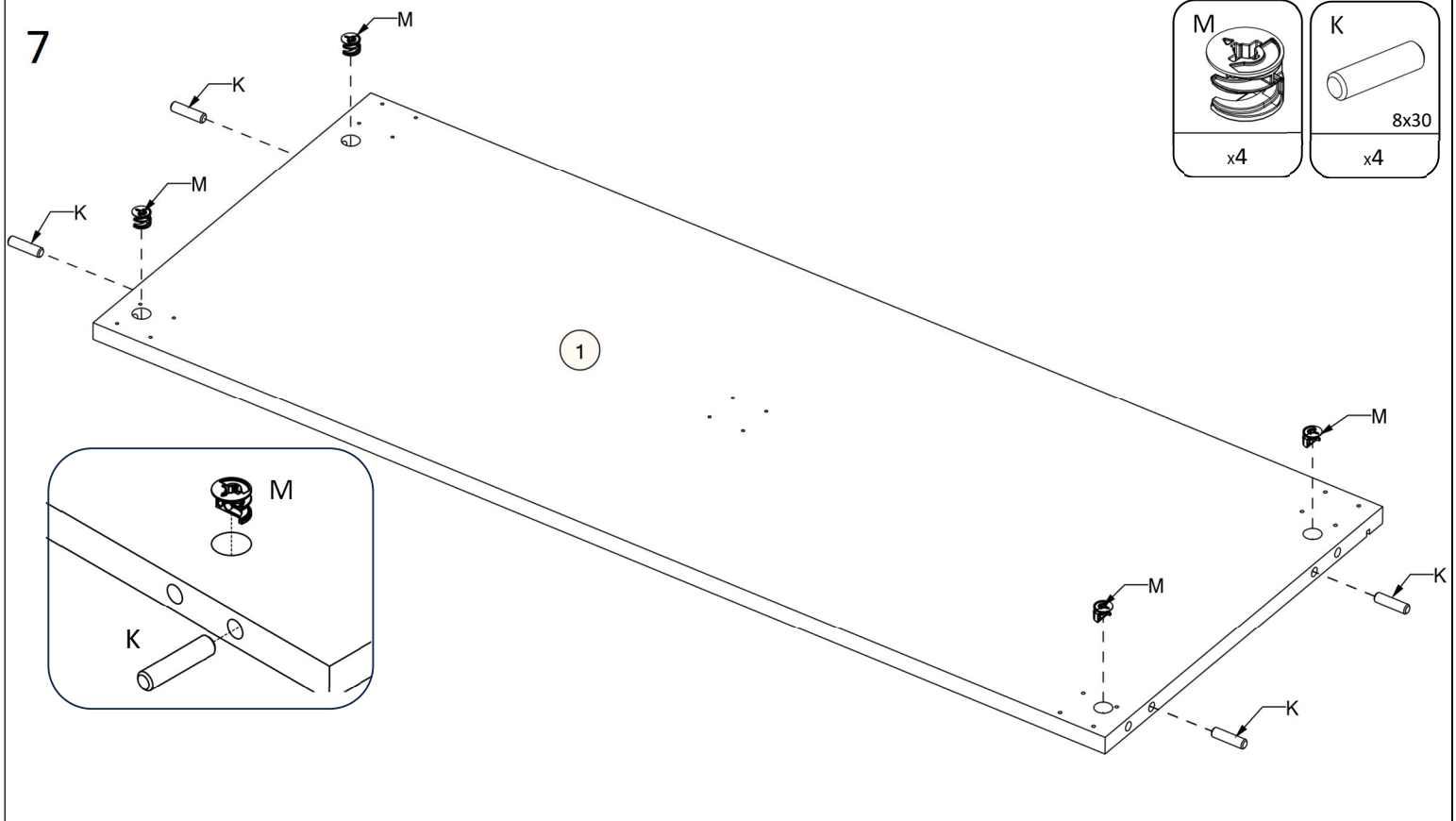
5



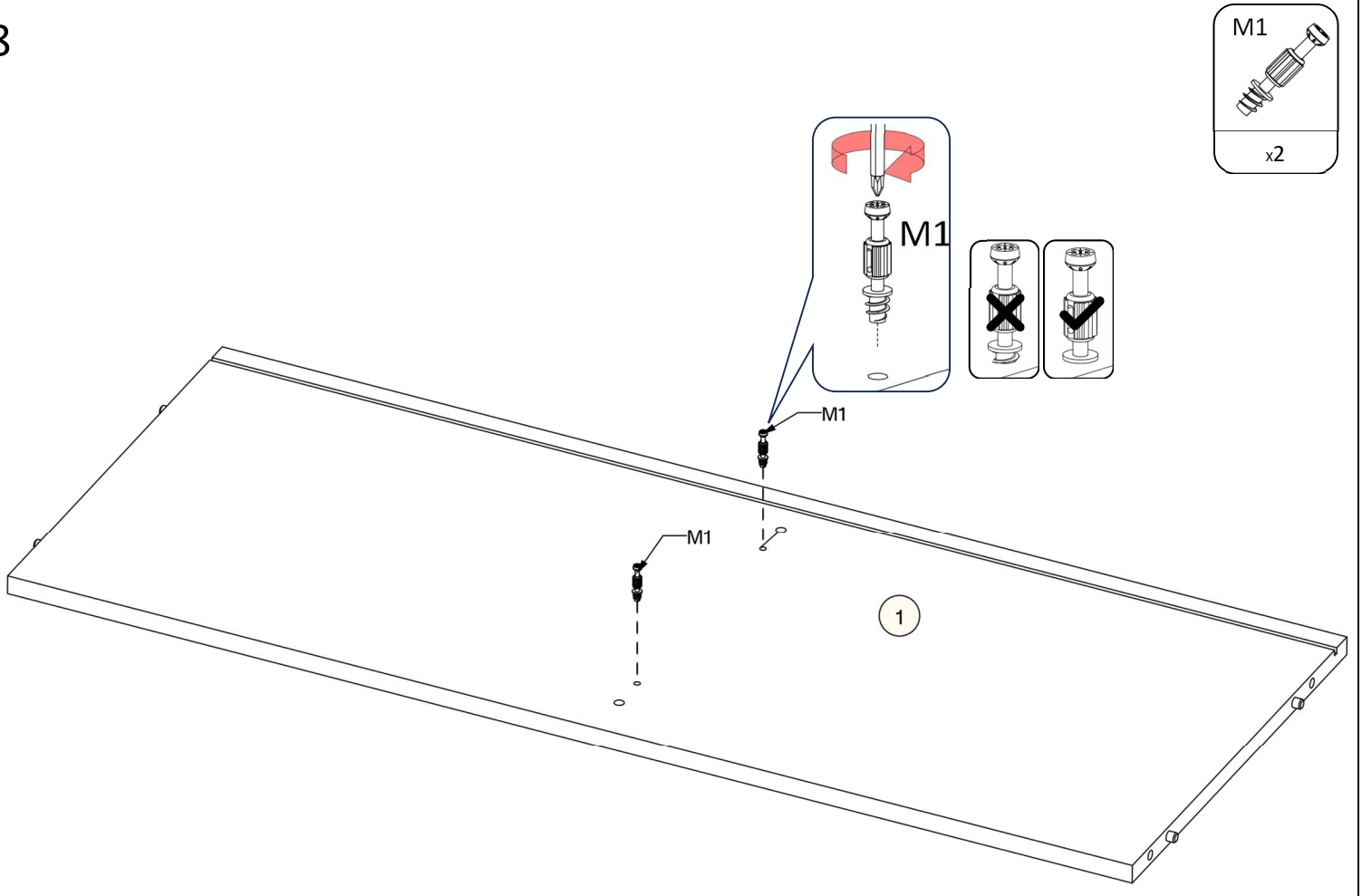
6



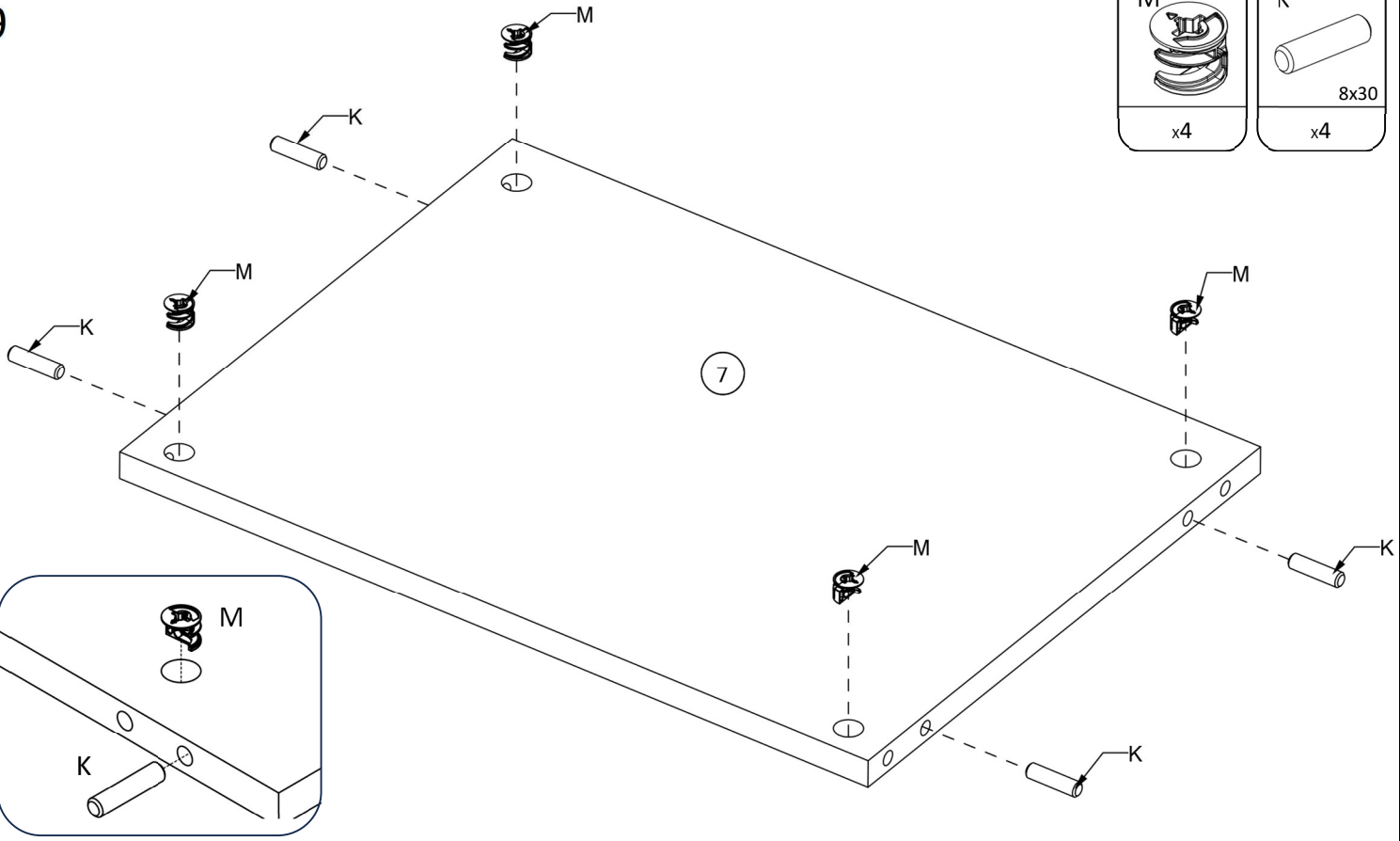
7



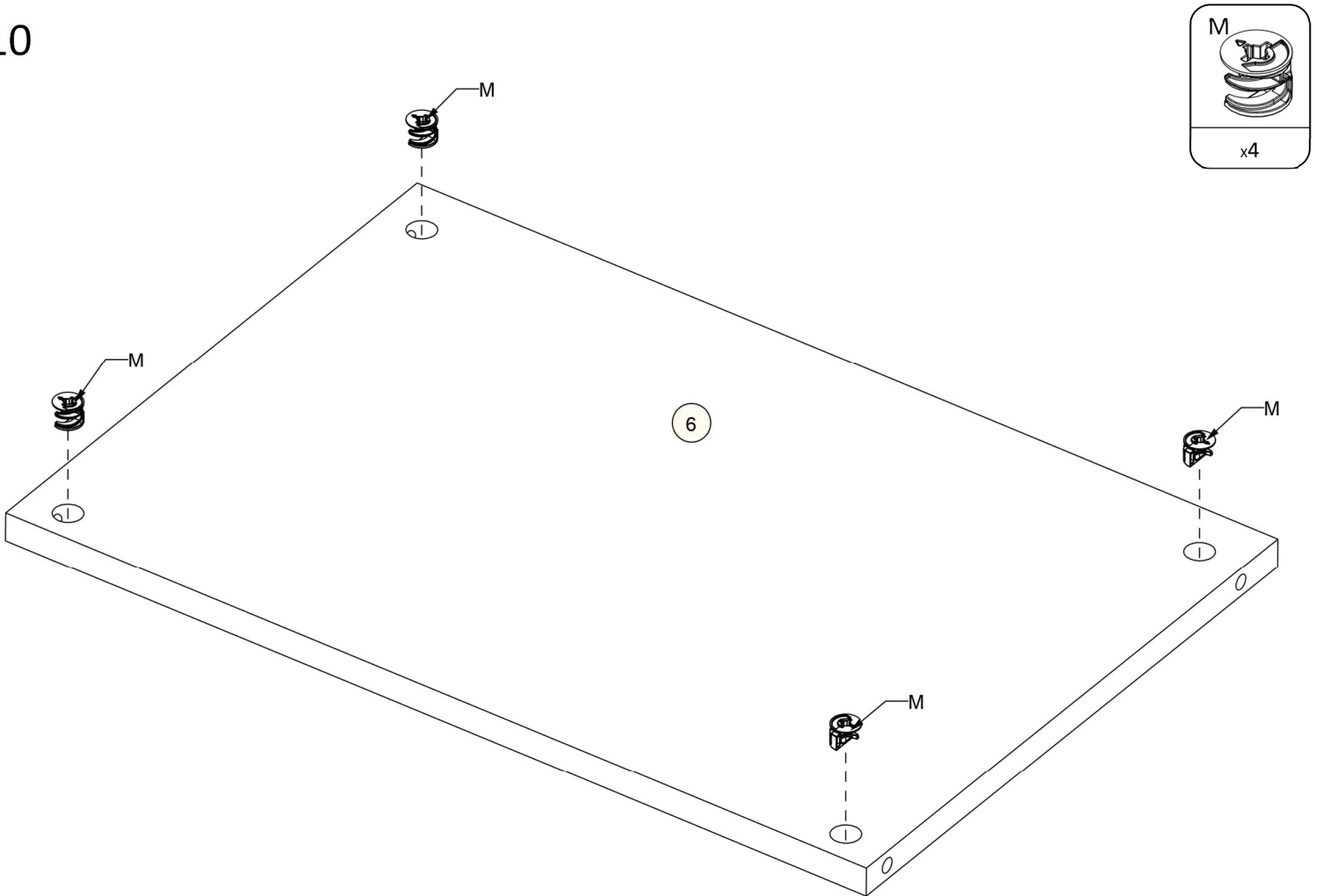
8



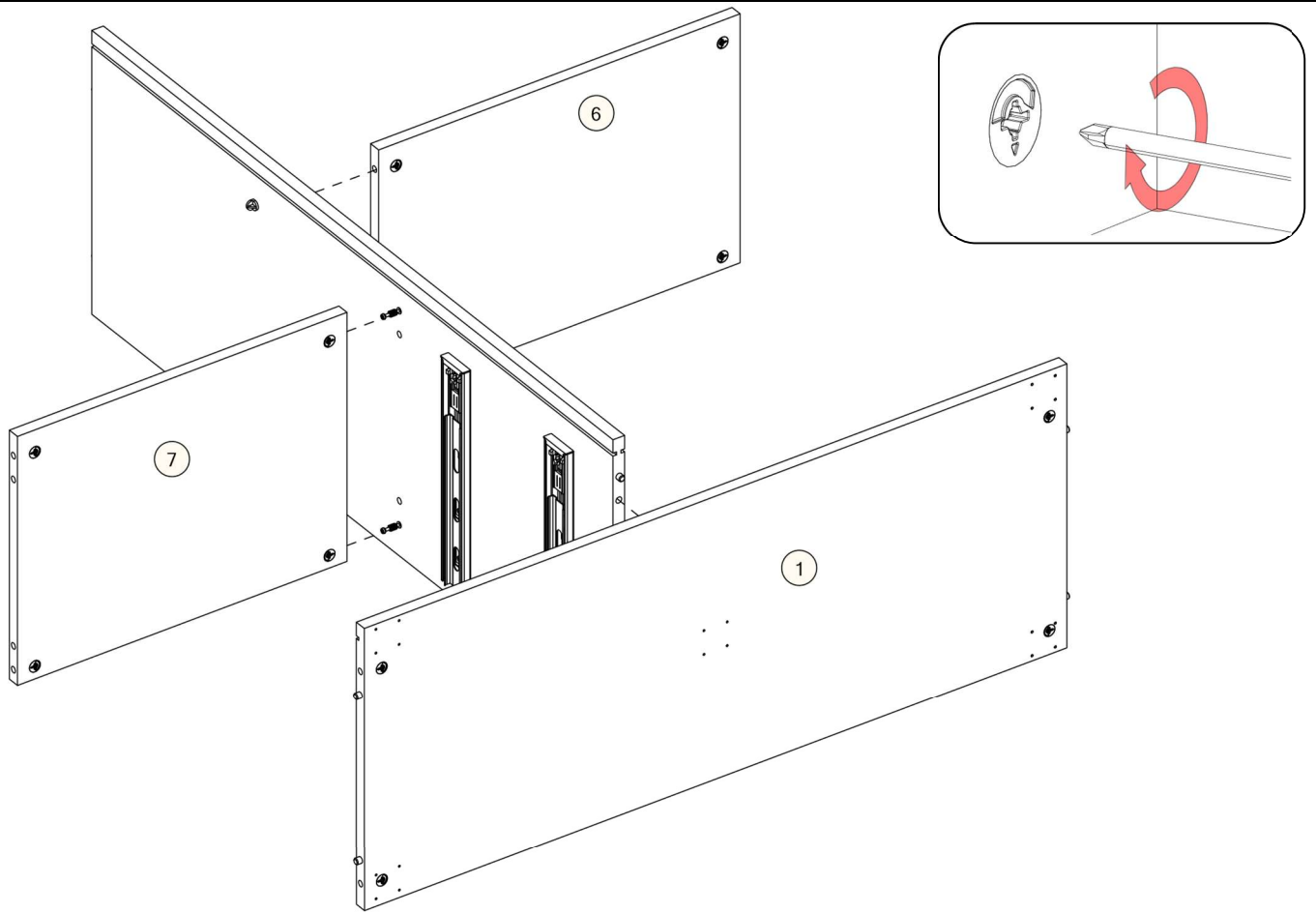
9



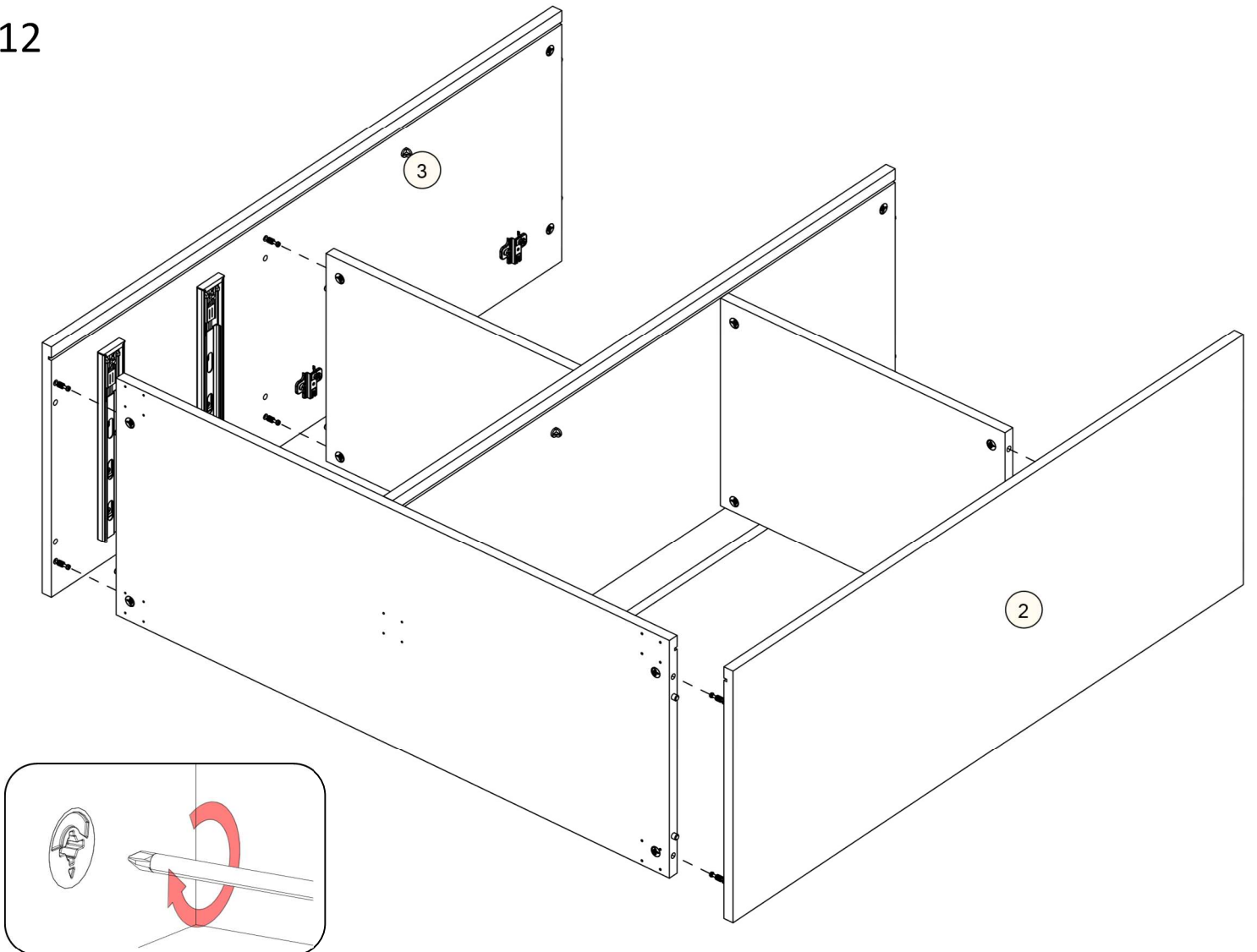
10



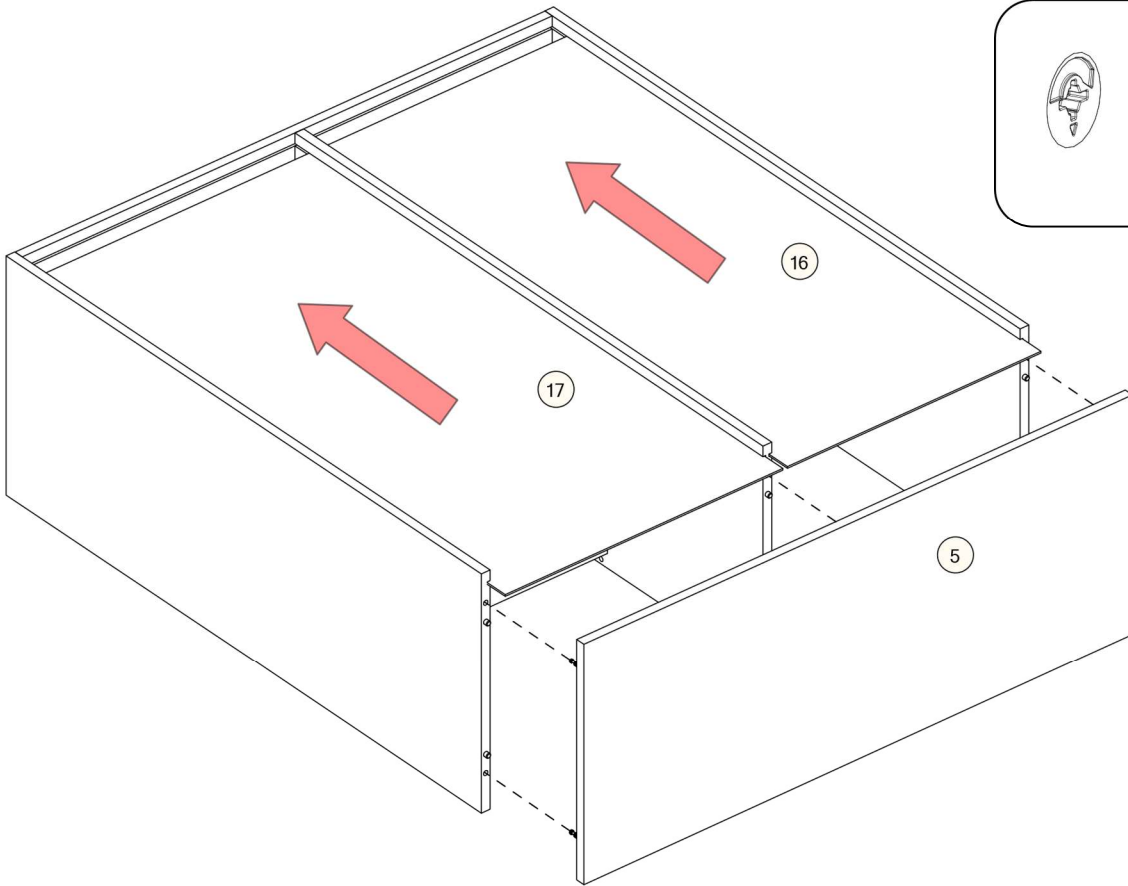
11



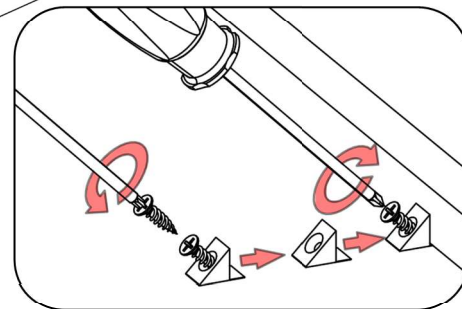
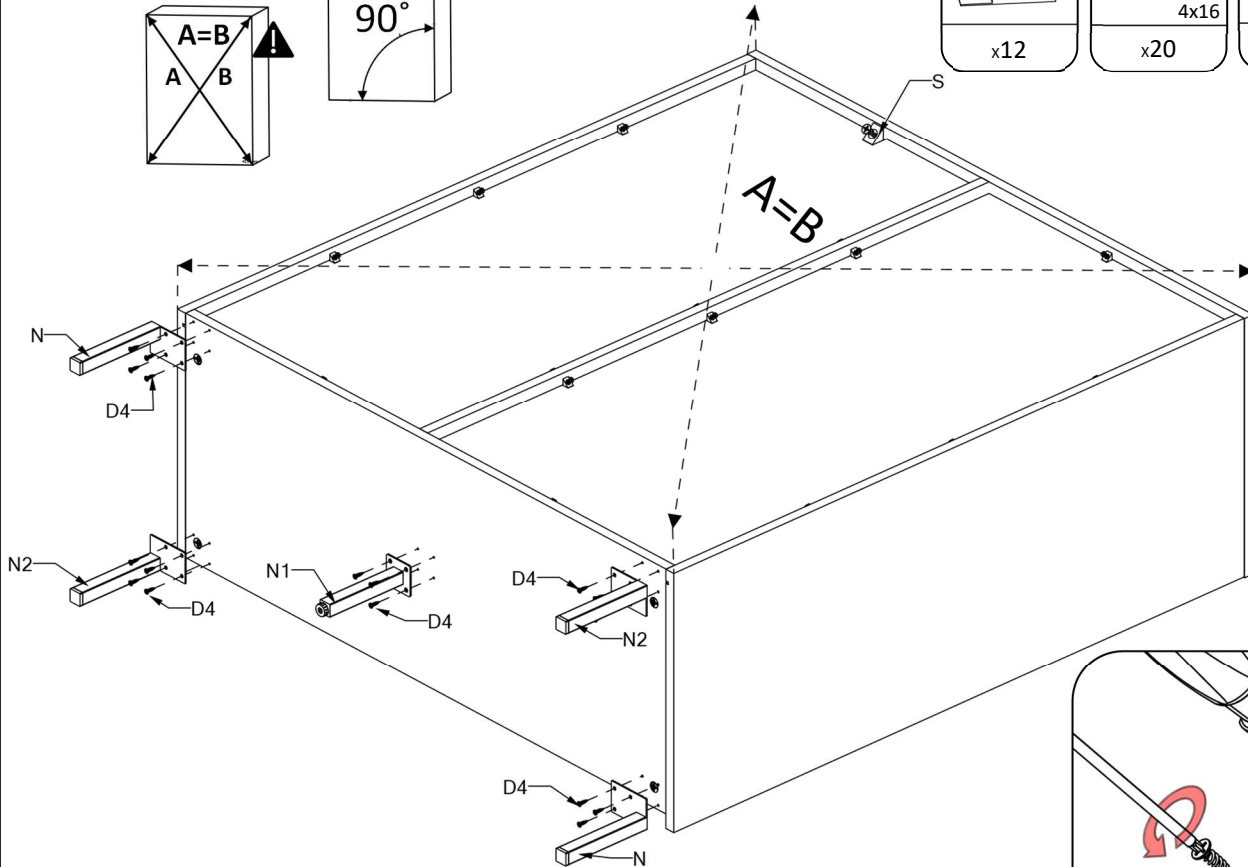
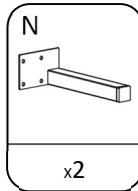
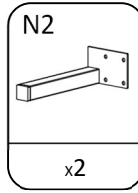
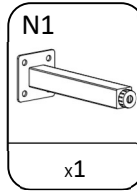
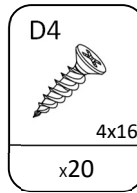
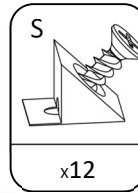
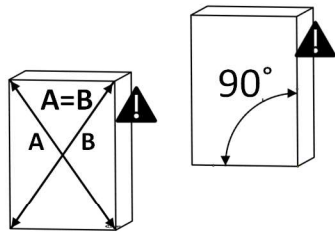
12



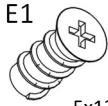
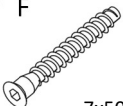



13

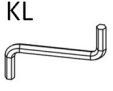


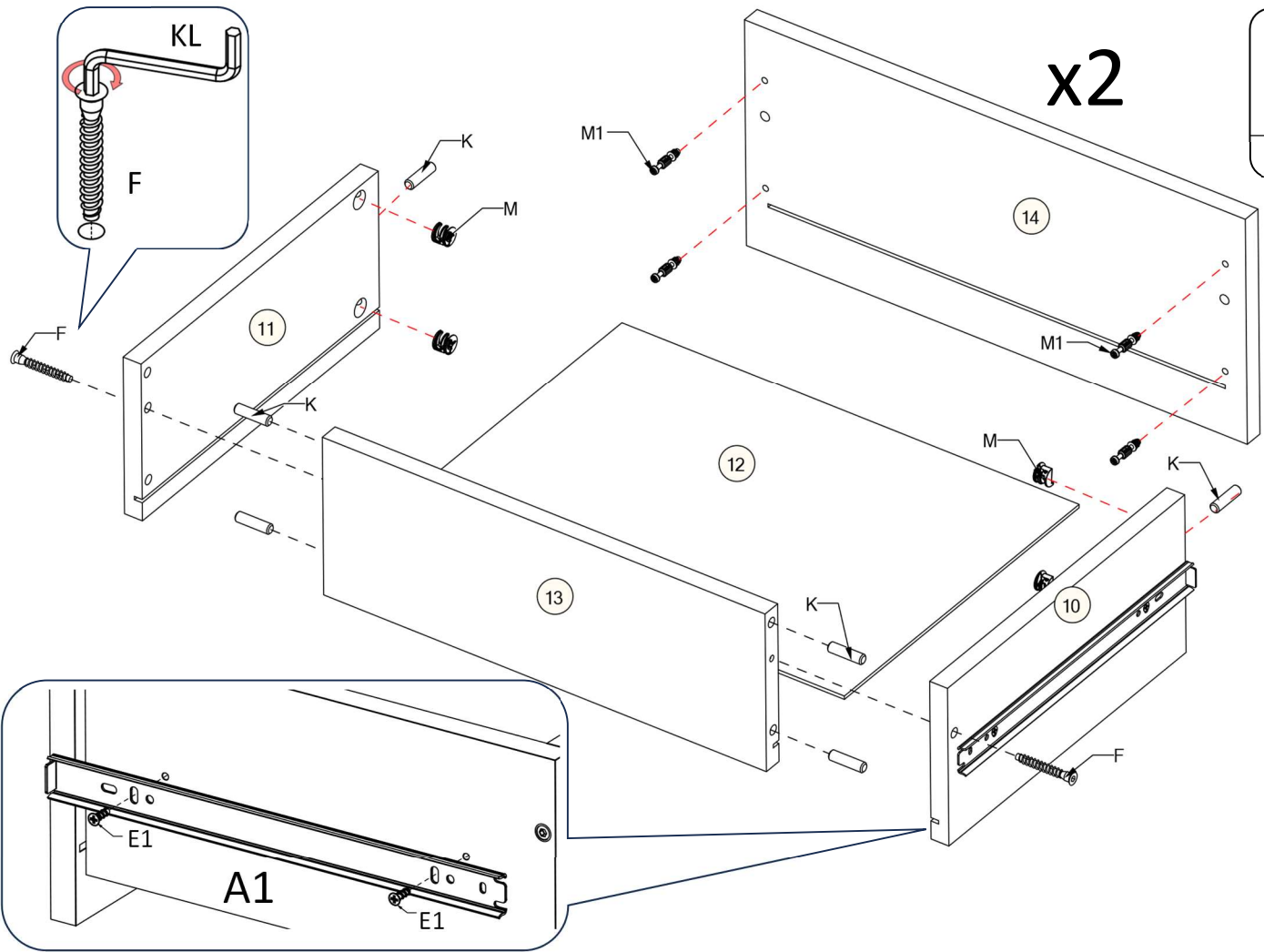
14




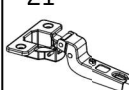
15

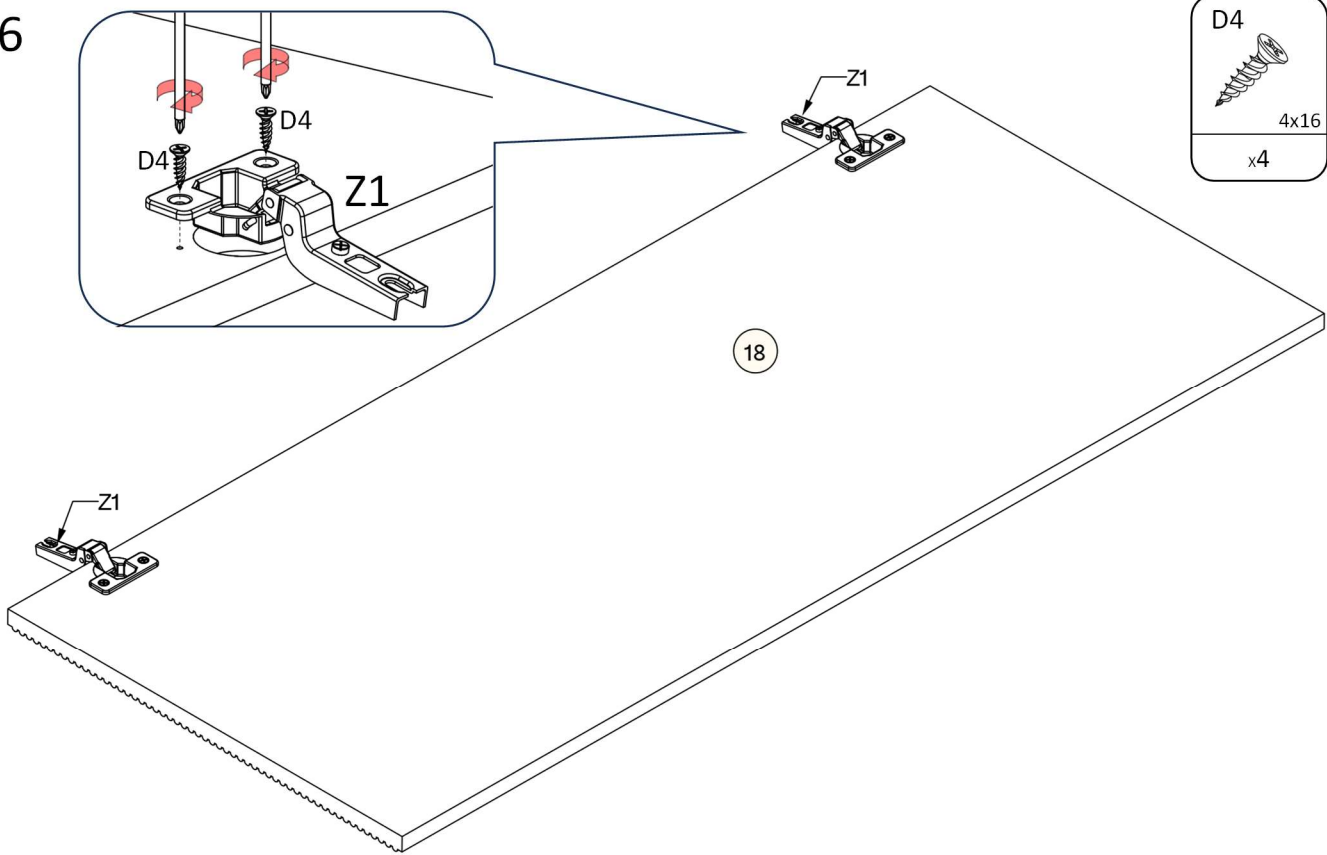
E1  5x13 x4	F  7x50 x2	M  x4	M1  x4	K  8x30 x6
---	---	--	---	---

KL  x1
--

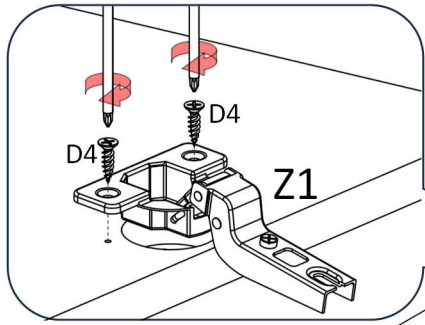


16

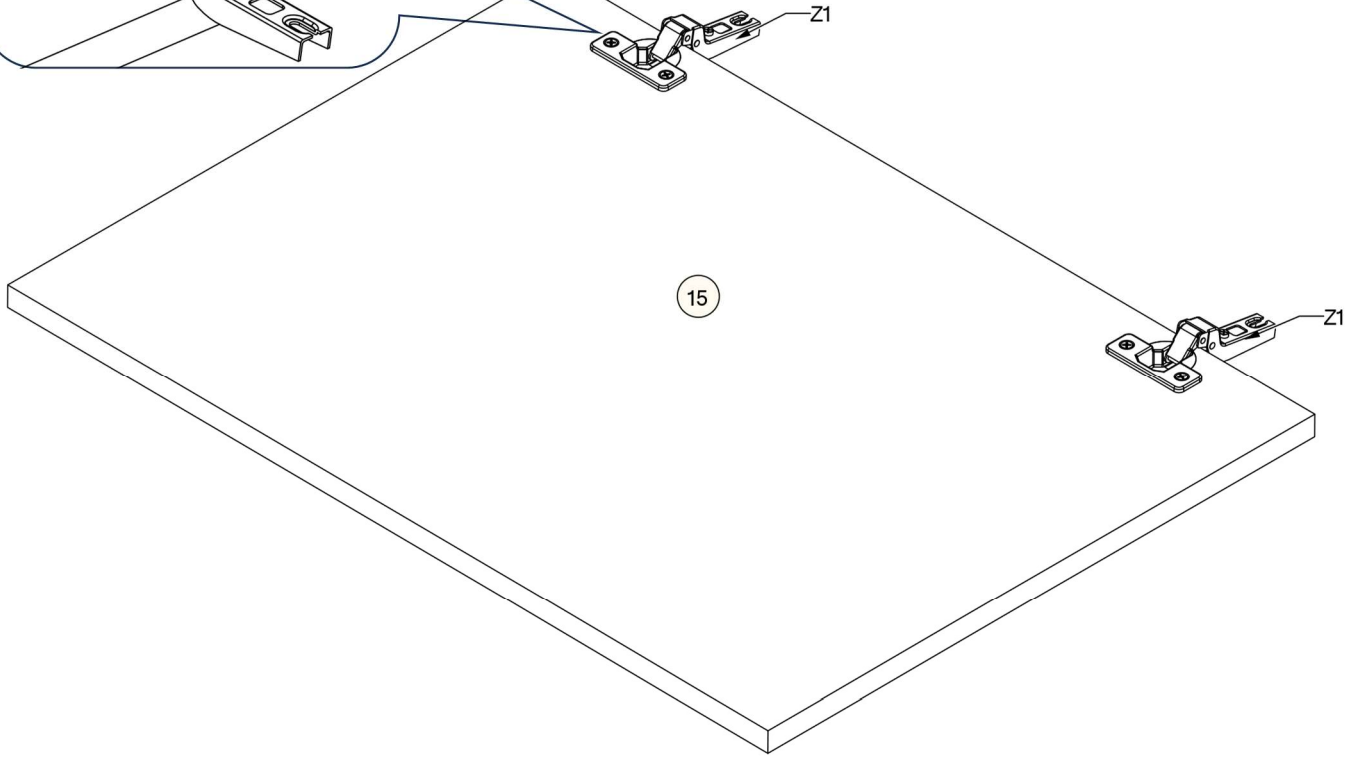
D4  4x16 x4	Z1  x2
--	--



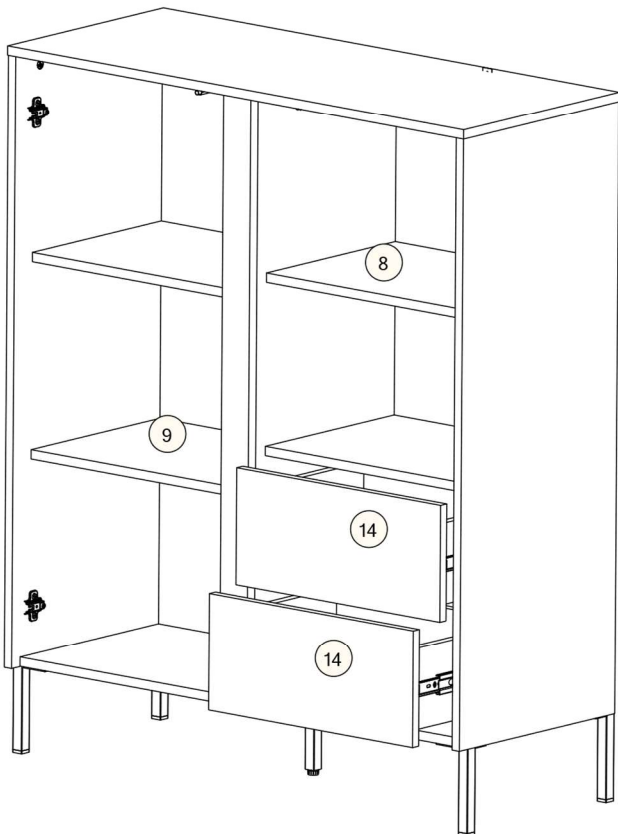
17



D4	Z1
4x16	
x4	x2



18



19

