


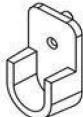


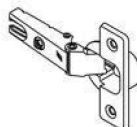
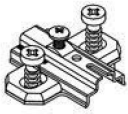

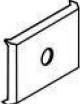

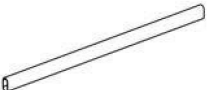
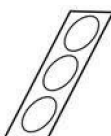



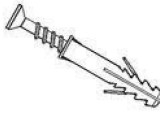
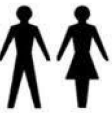
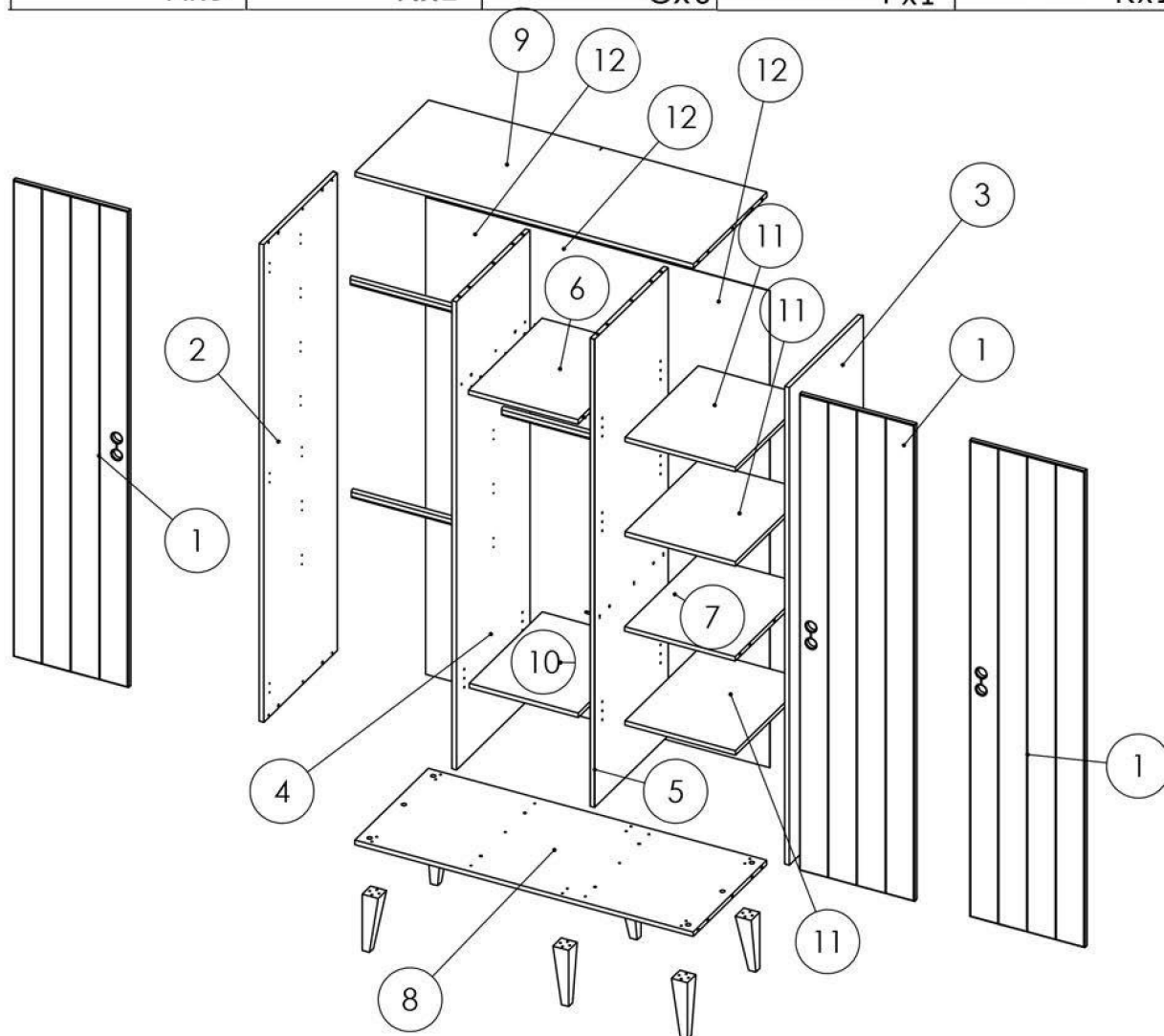
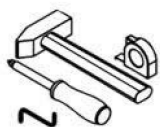
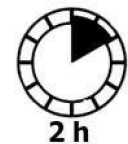



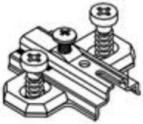


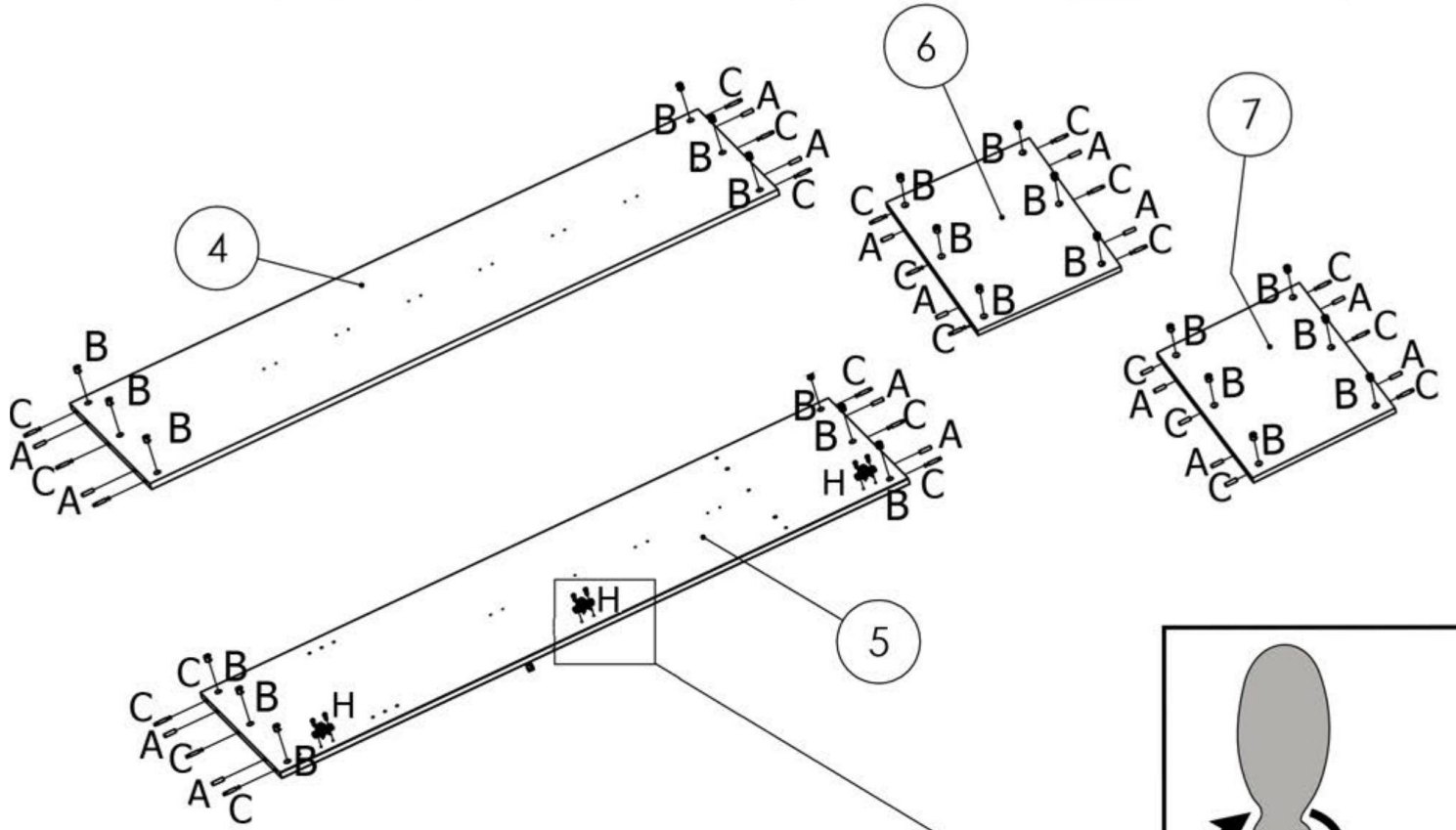
SZAFKA 3D M2-MIKI

 ∅8x30 mm Ax24	 Bx36	 43 mm Cx36	 Dx6	 ∅3,5x13 mm Ex32	 ∅7x50 mm Fx12
 Gx9	 Hx9	 Ix74	 Jx30	 Kx16	 Lx3
 Mx9	 Nx2	 Ox6	 Px1	 Rx1	

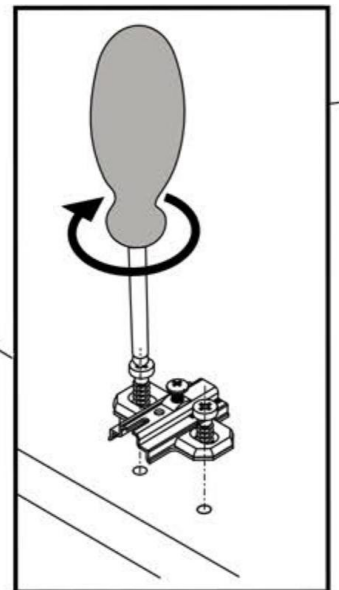
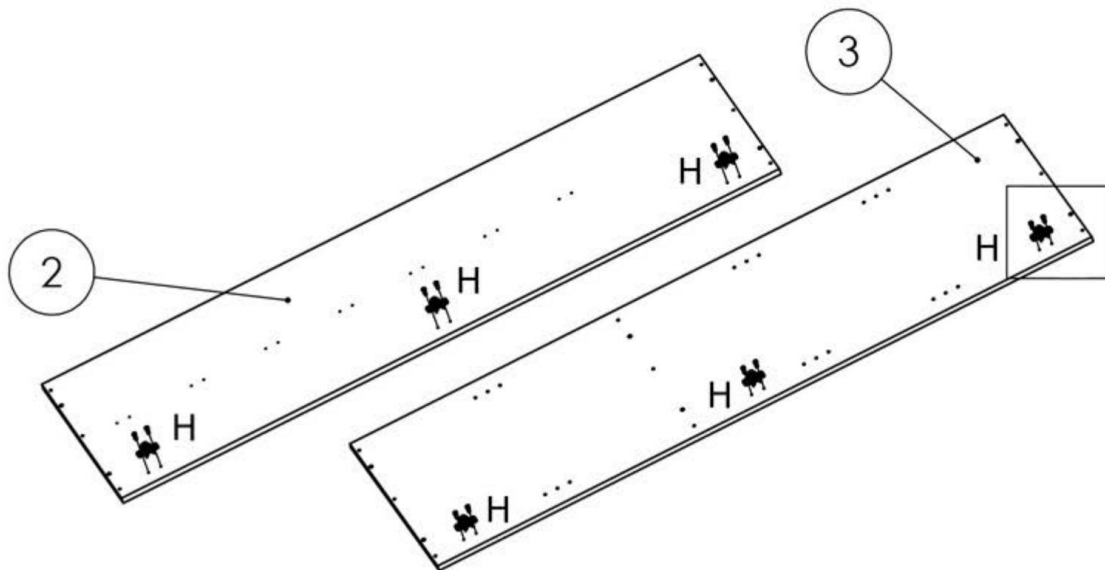
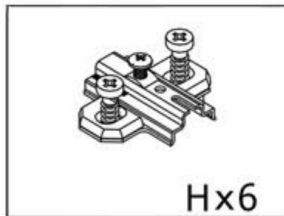


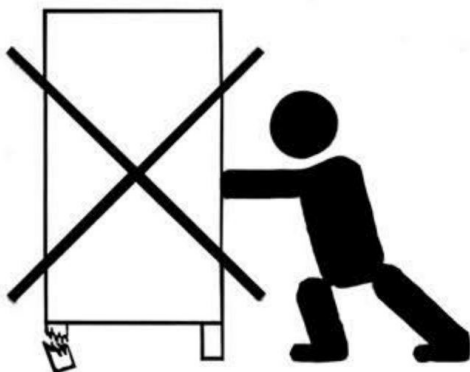
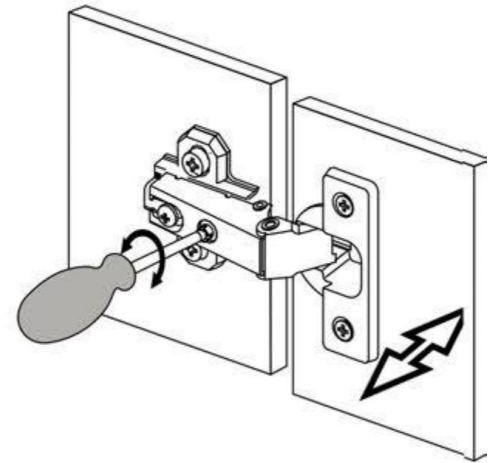
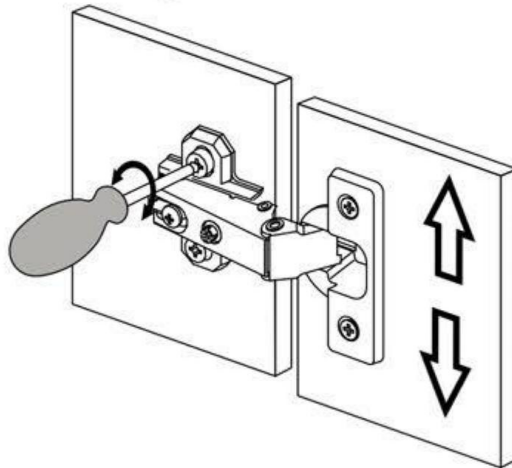
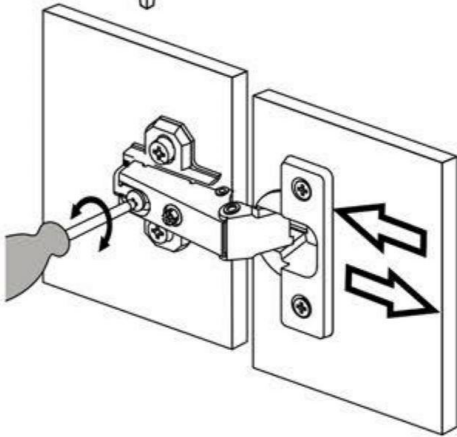
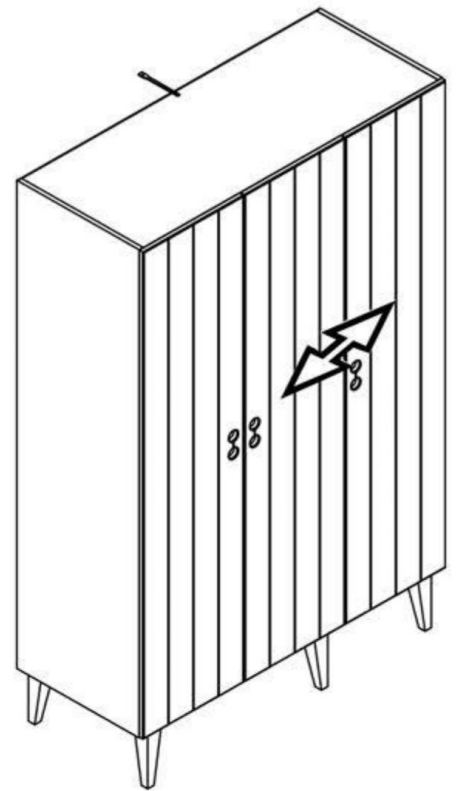
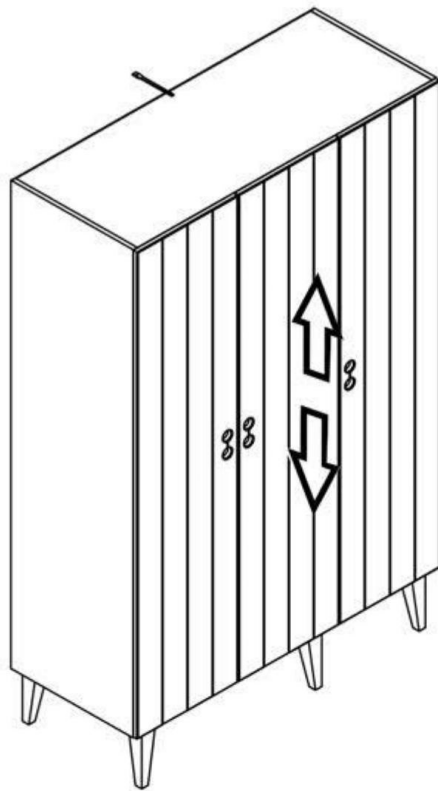
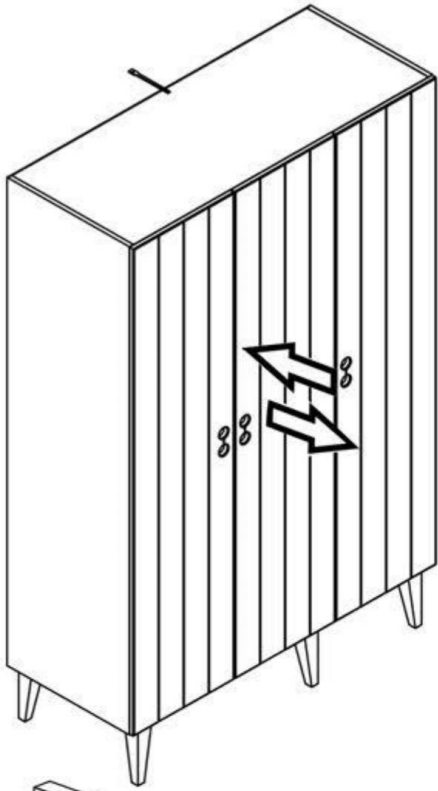
1

 ∅8x30 mm Ax16	 Bx24	 43 mm Cx24	 Hx3
---	---	---	--

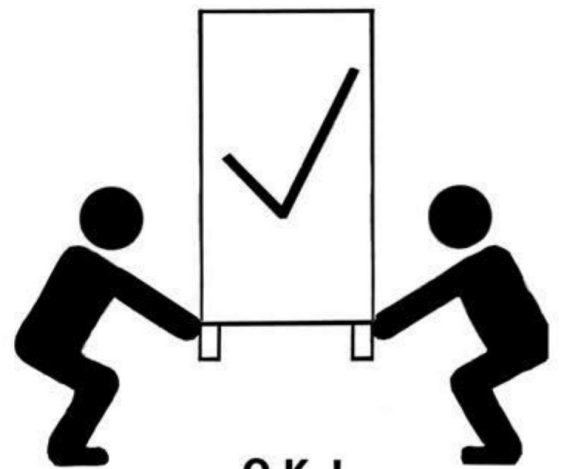


2



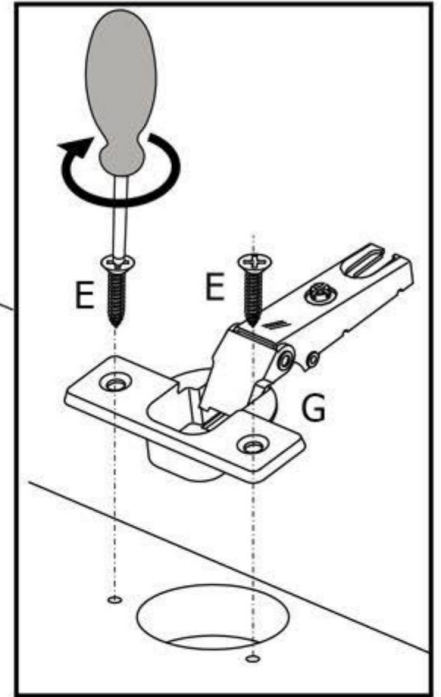
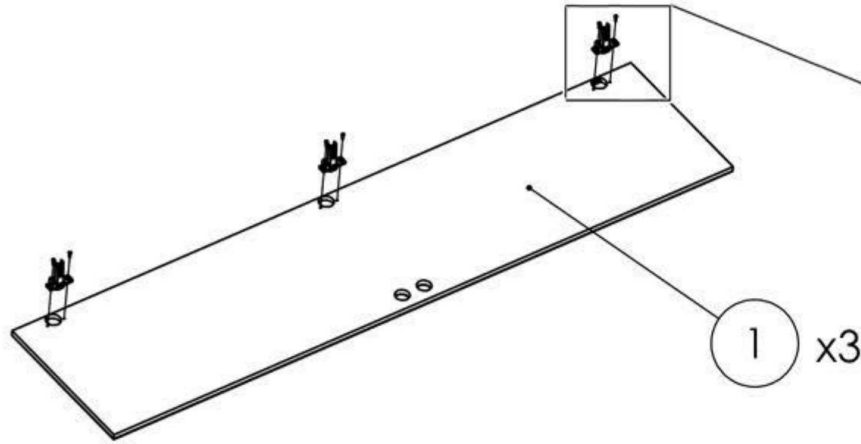
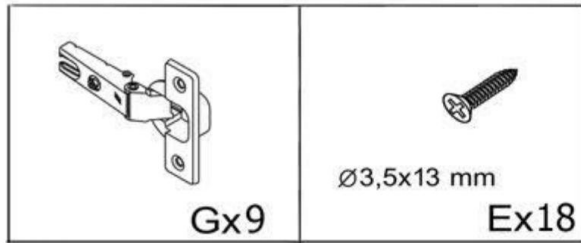


N.O. !

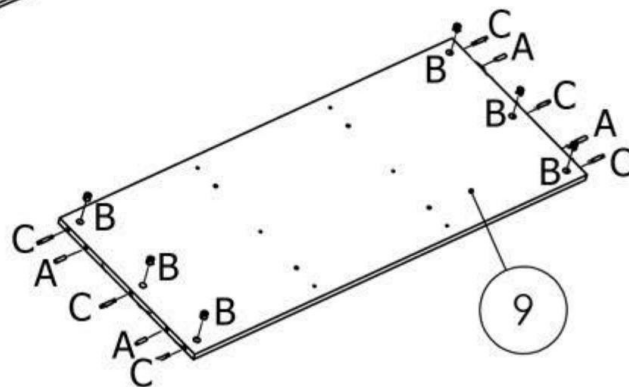
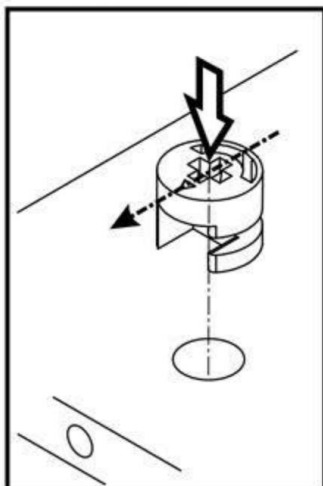
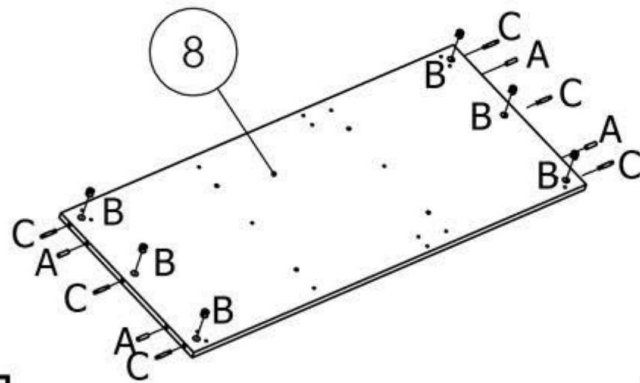
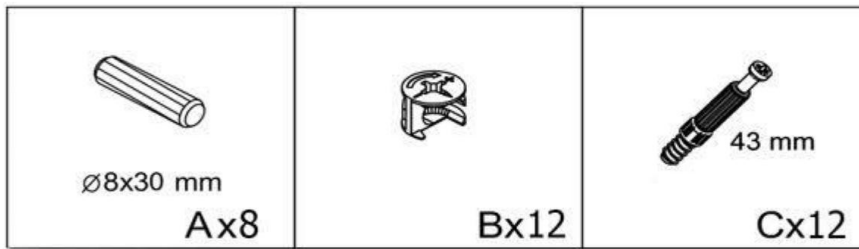


O.K. !

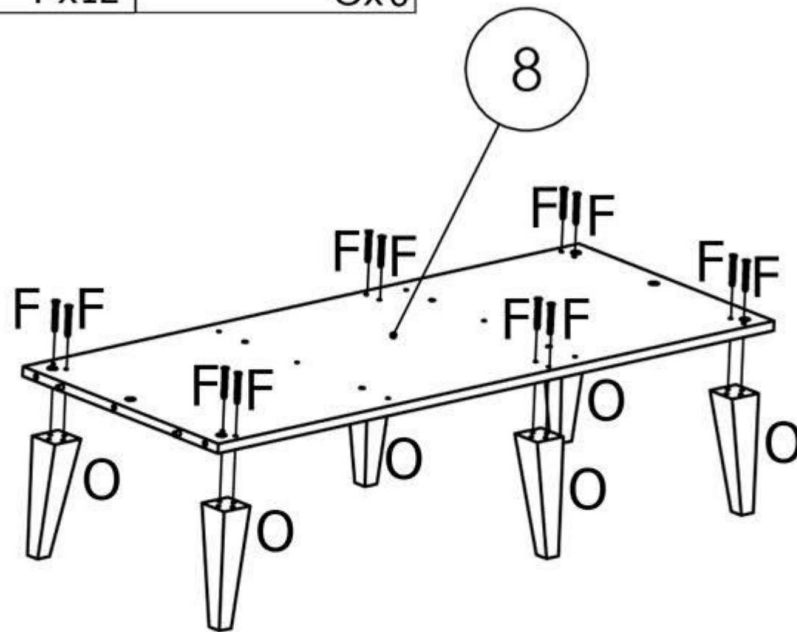
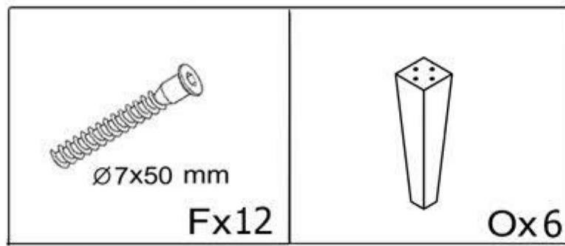
3



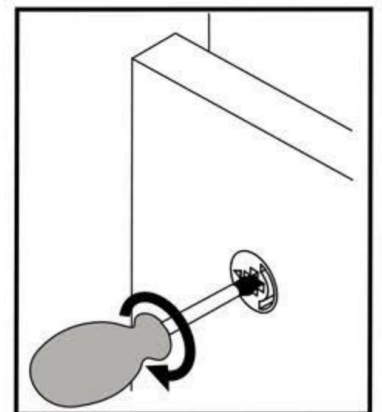
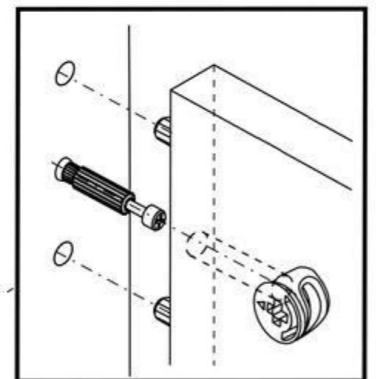
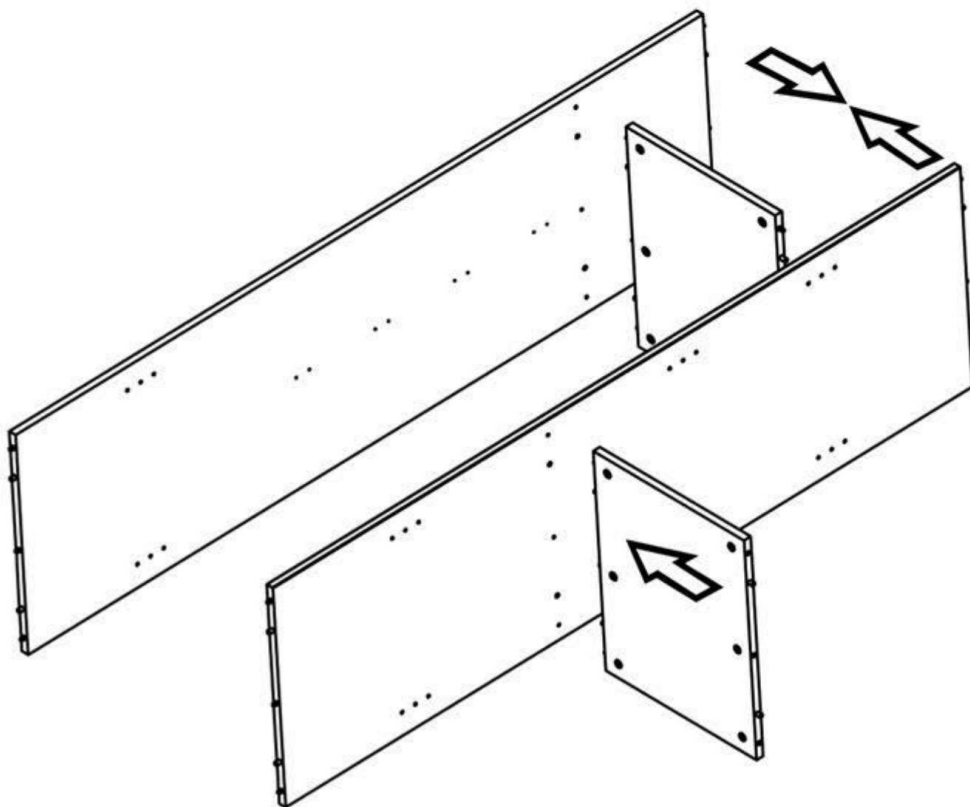
4



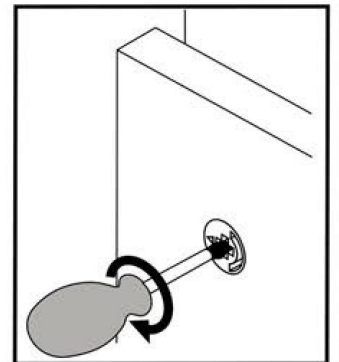
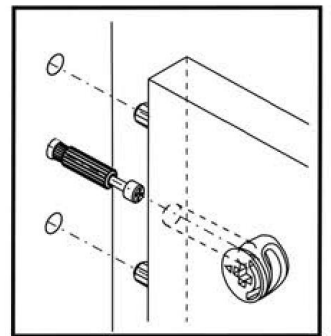
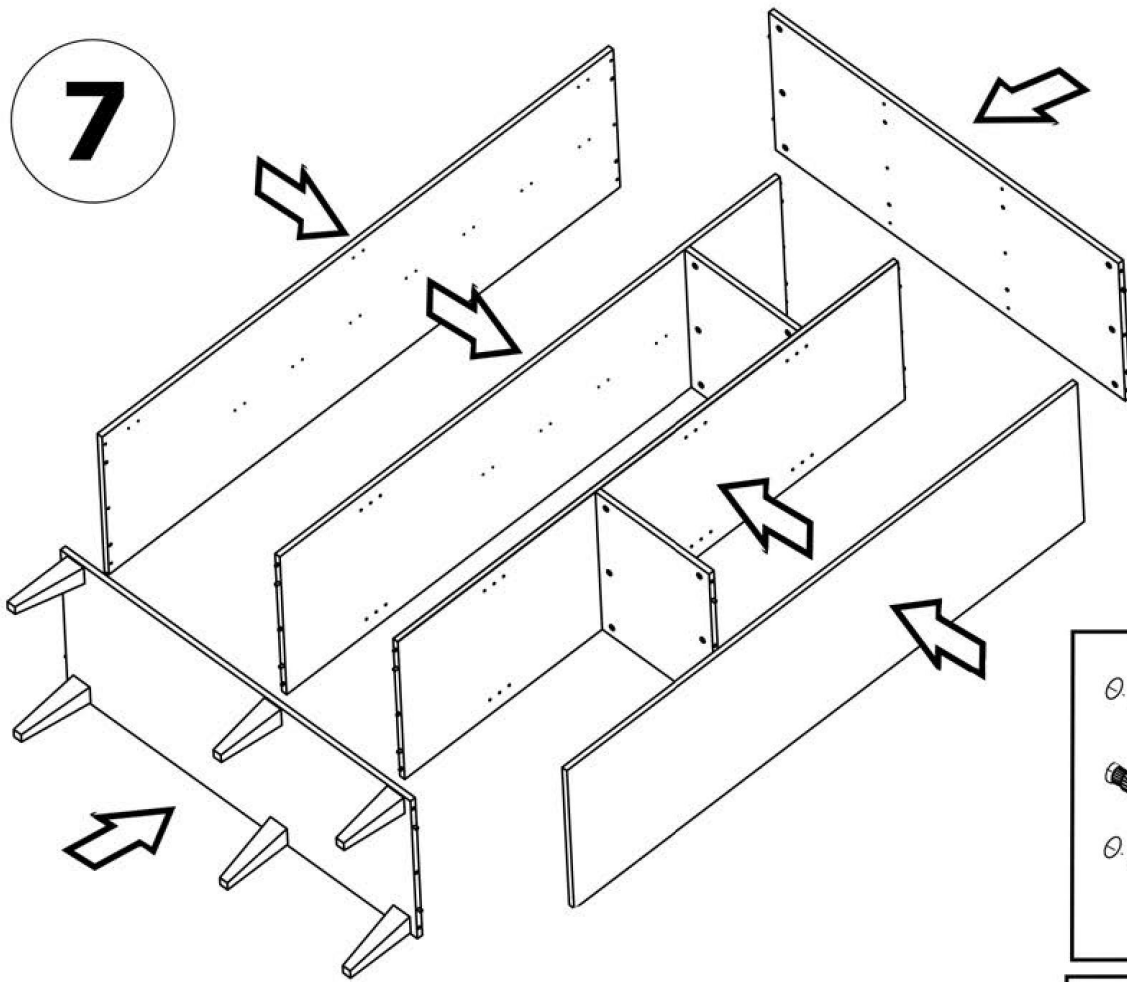
5



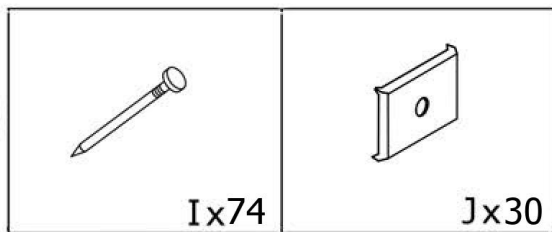
6



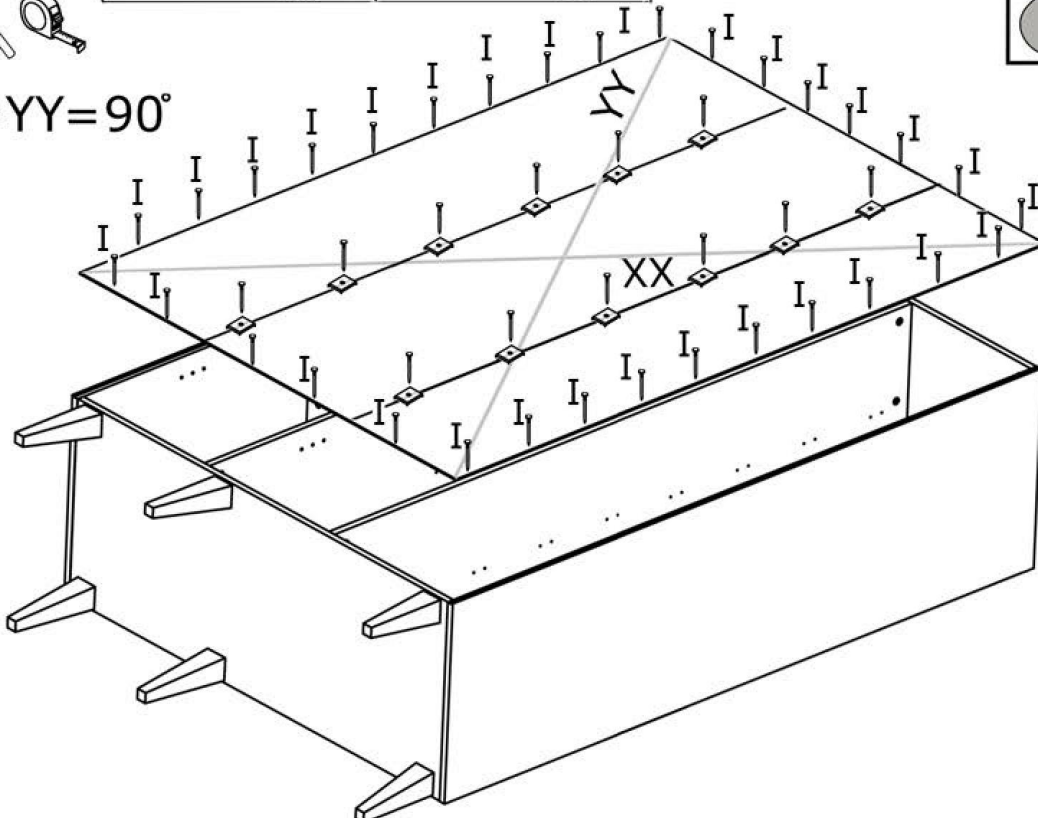
7



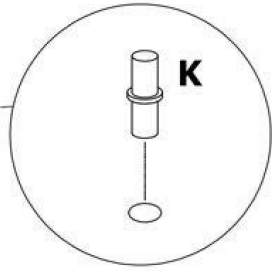
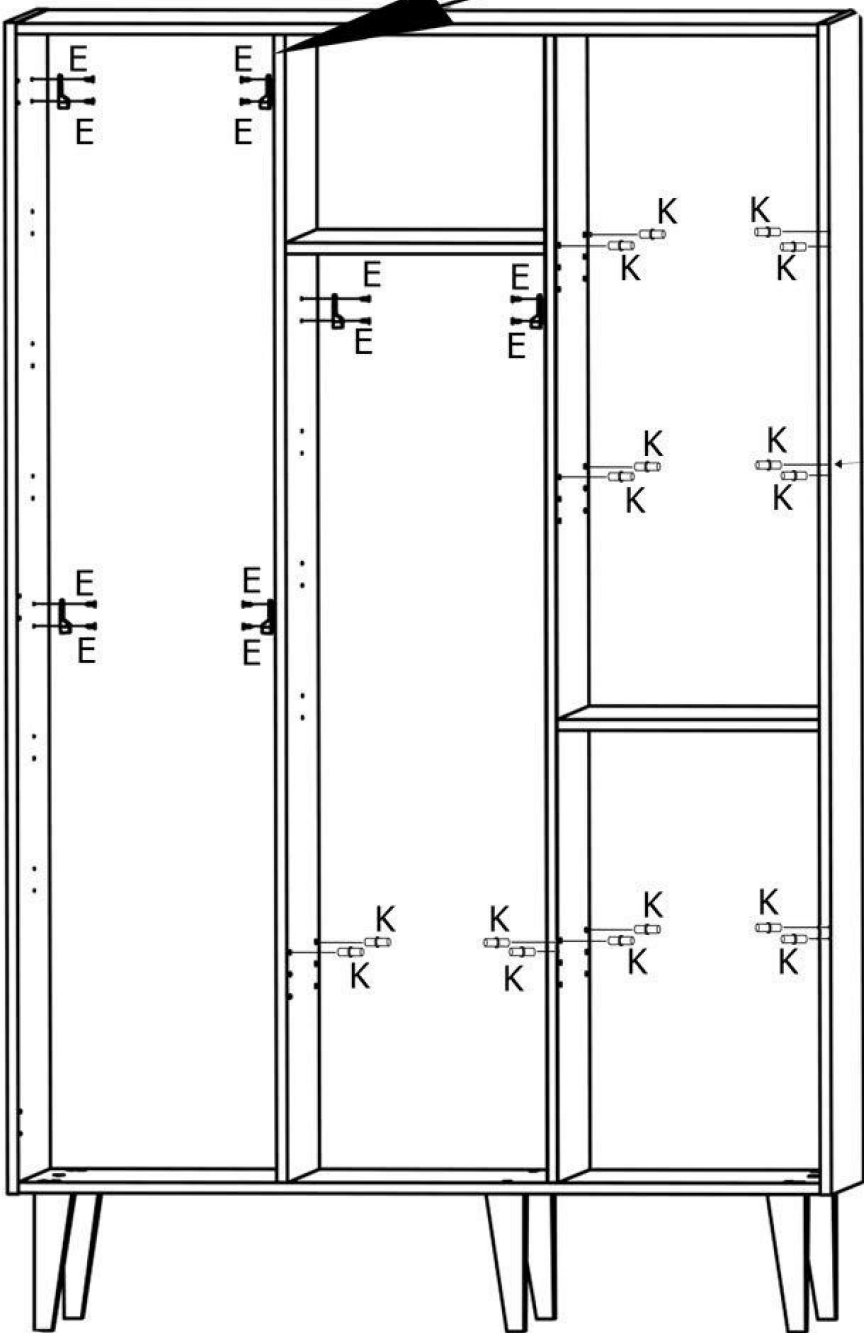
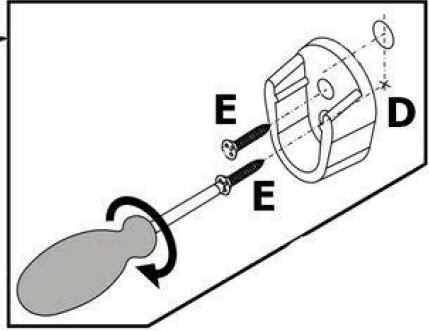
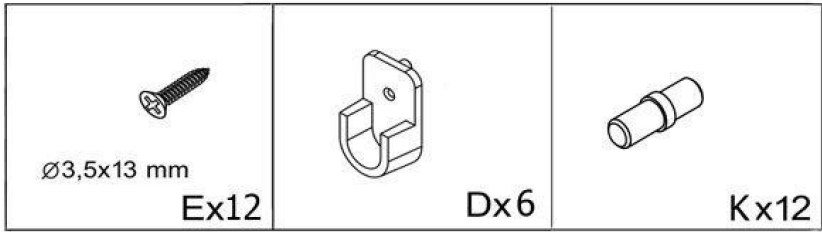
8






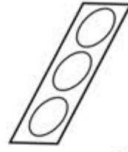
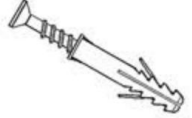
$XX = YY = 90^\circ$



9



10

		 Ø3,5x13 mm		
Lx3	Px1	Ex2	Mx9	Rx1

