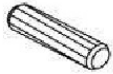


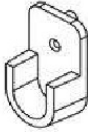

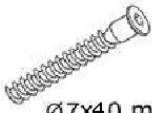
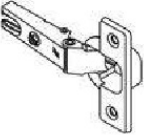
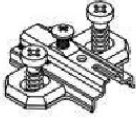

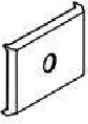
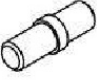

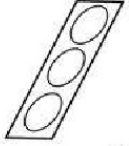
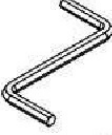


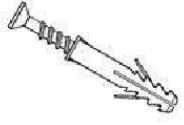
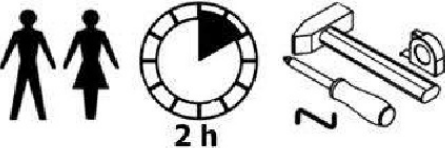
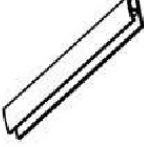
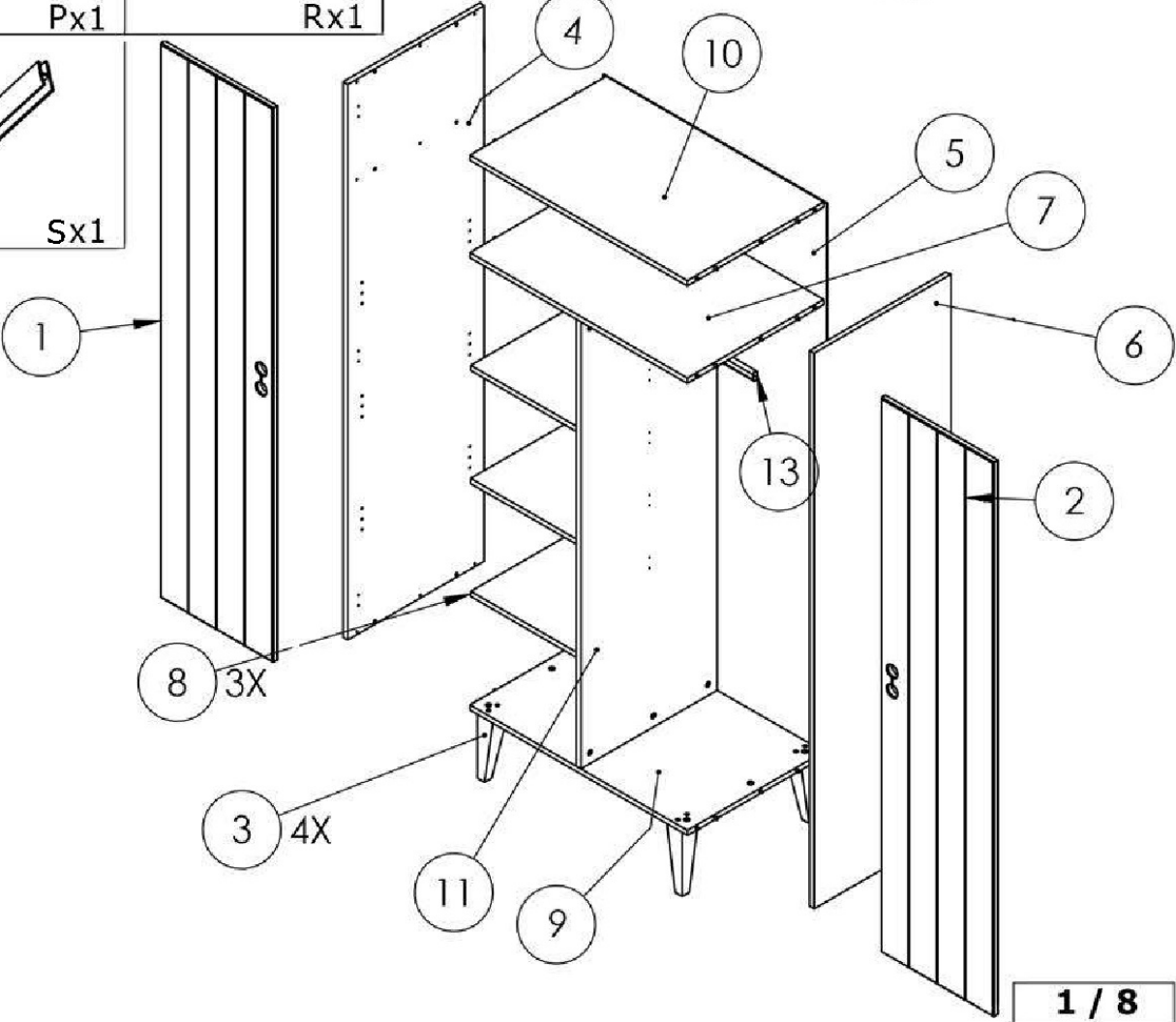
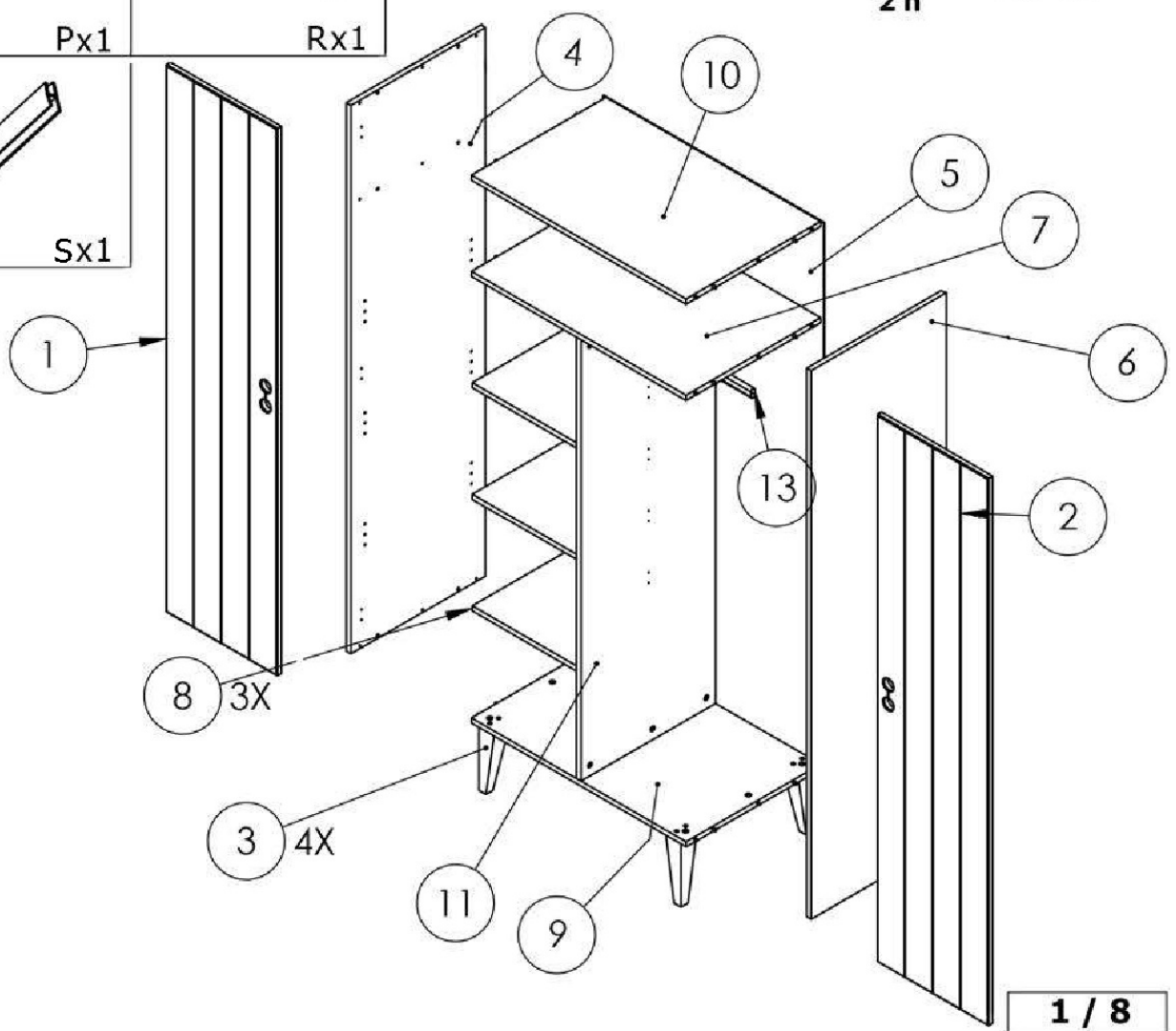
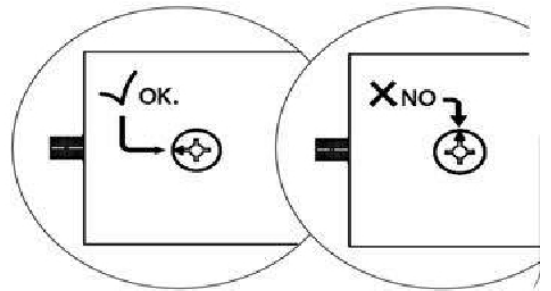
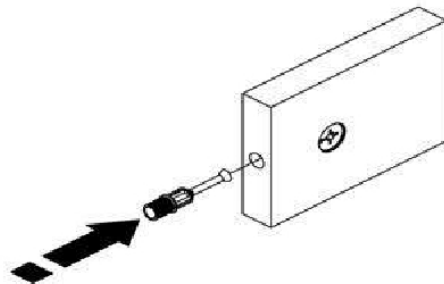
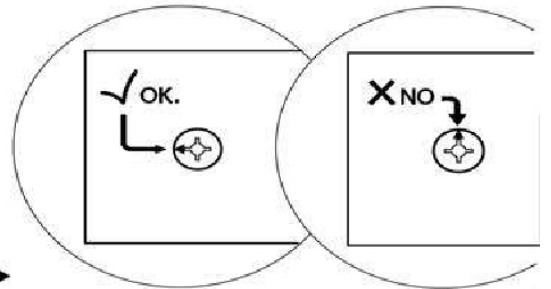
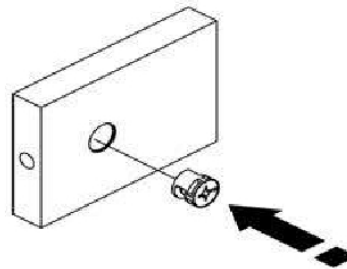
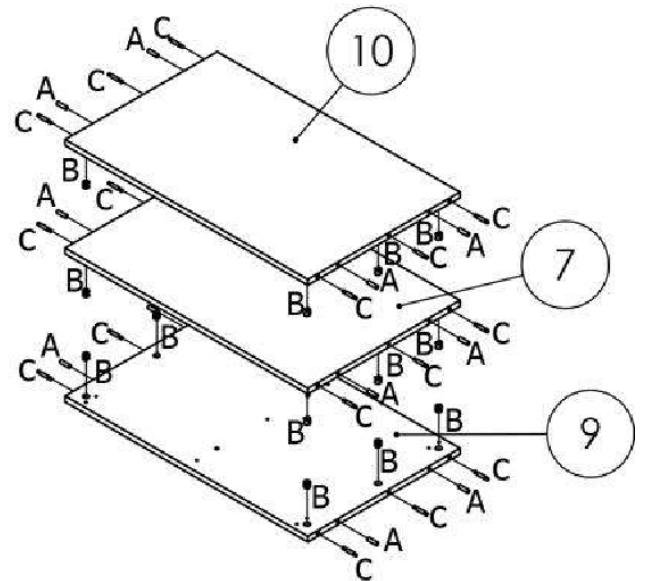
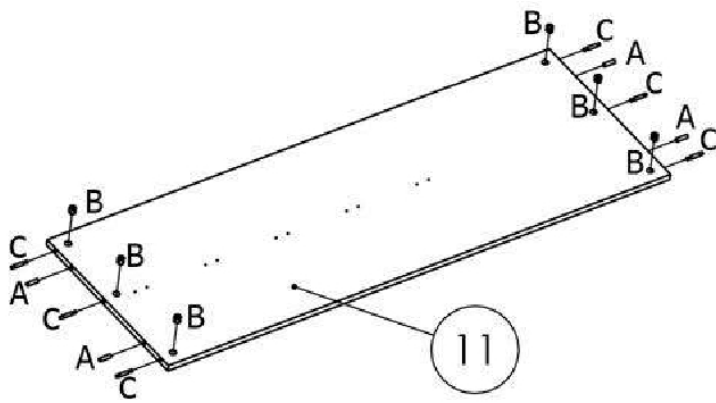
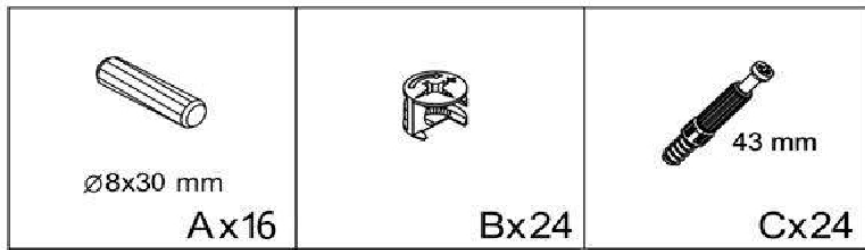


SZAFA 2D M1-MIKI

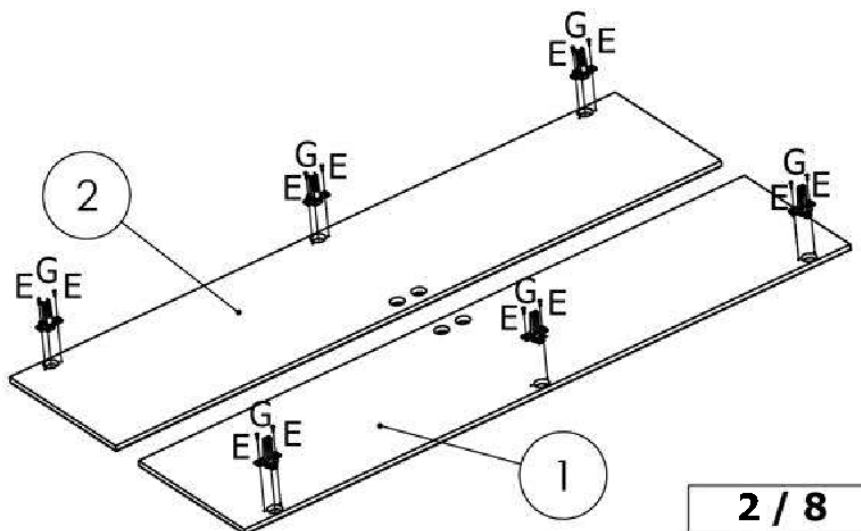
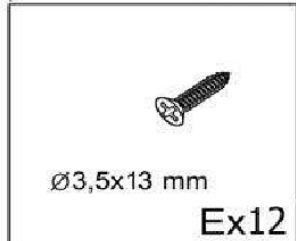
 Ø8x30 mm Ax16	 Bx24	 43 mm Cx24	 Dx4	 Ø3.5x13 mm Ex22
 Ø7x40 mm Fx8	 Gx6	 Hx6	 Ix46	 Jx14
 Kx12	 Lx2	 Mx6	 Nx1	 Ox4
 Px1	 Rx1			
 Sx1				



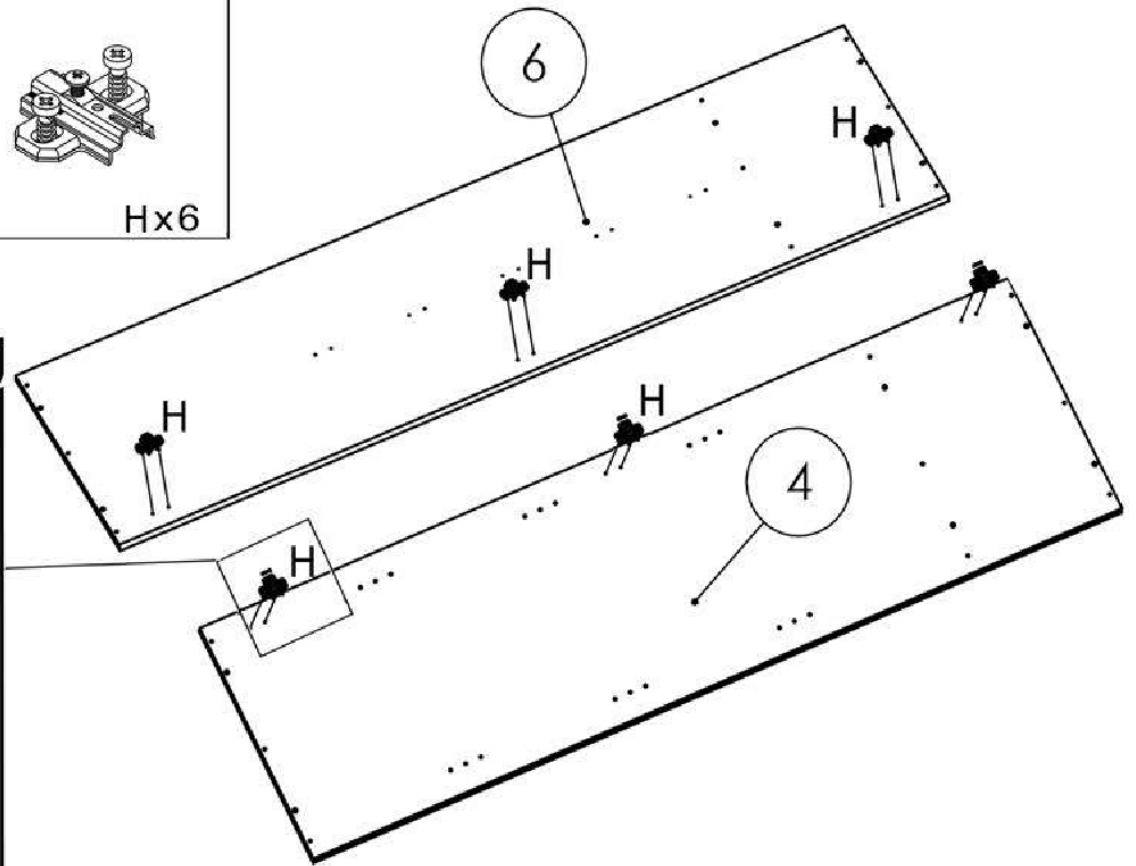
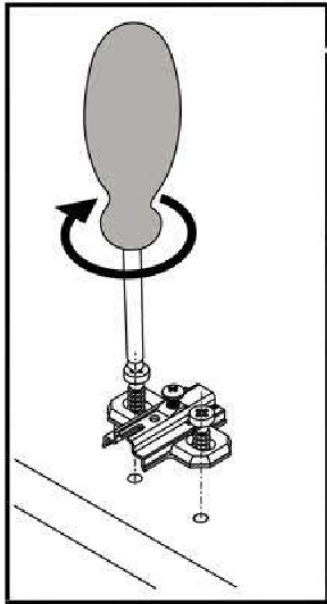
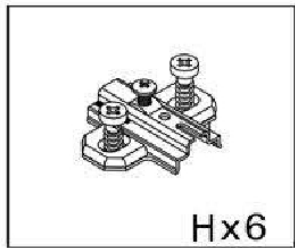
1



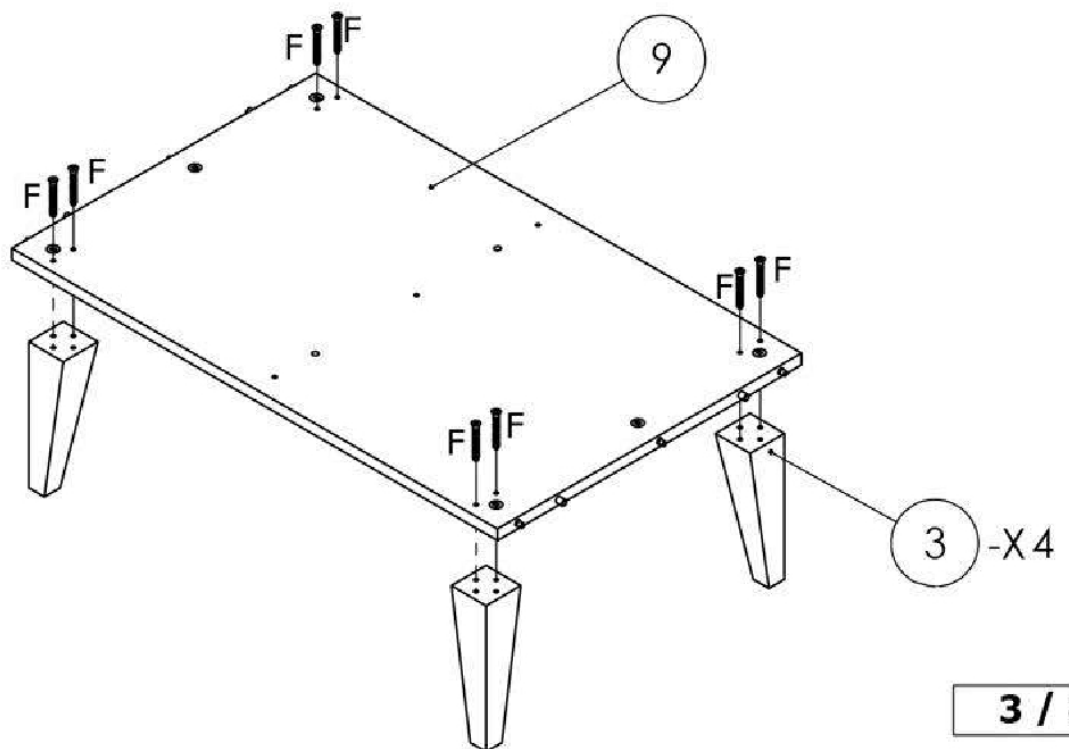
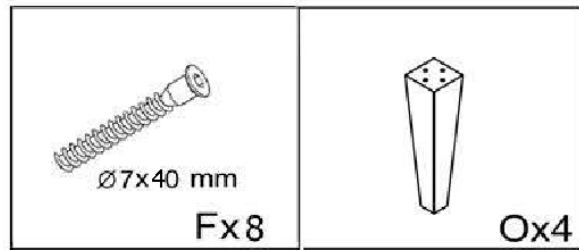
2

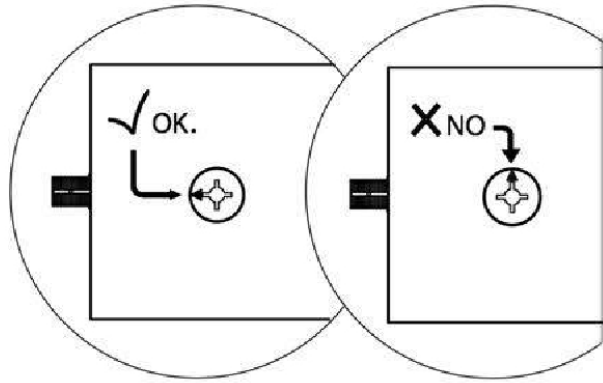
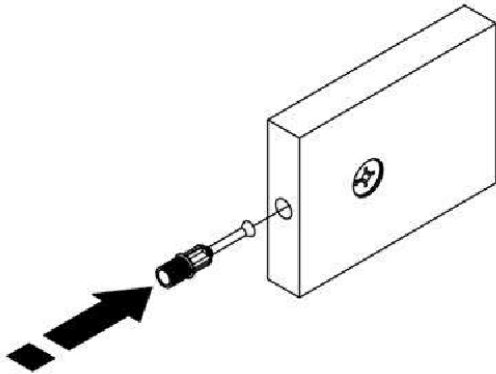
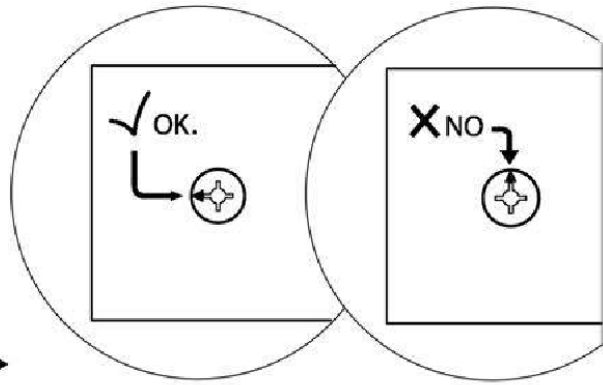
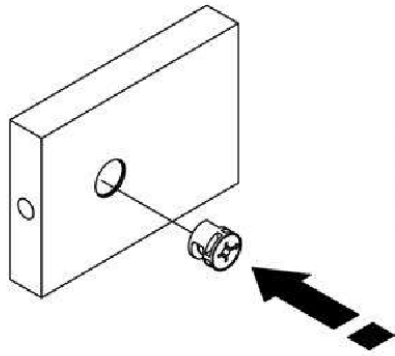


3

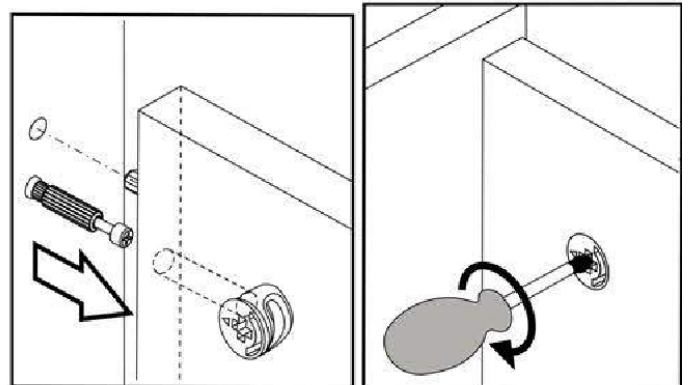
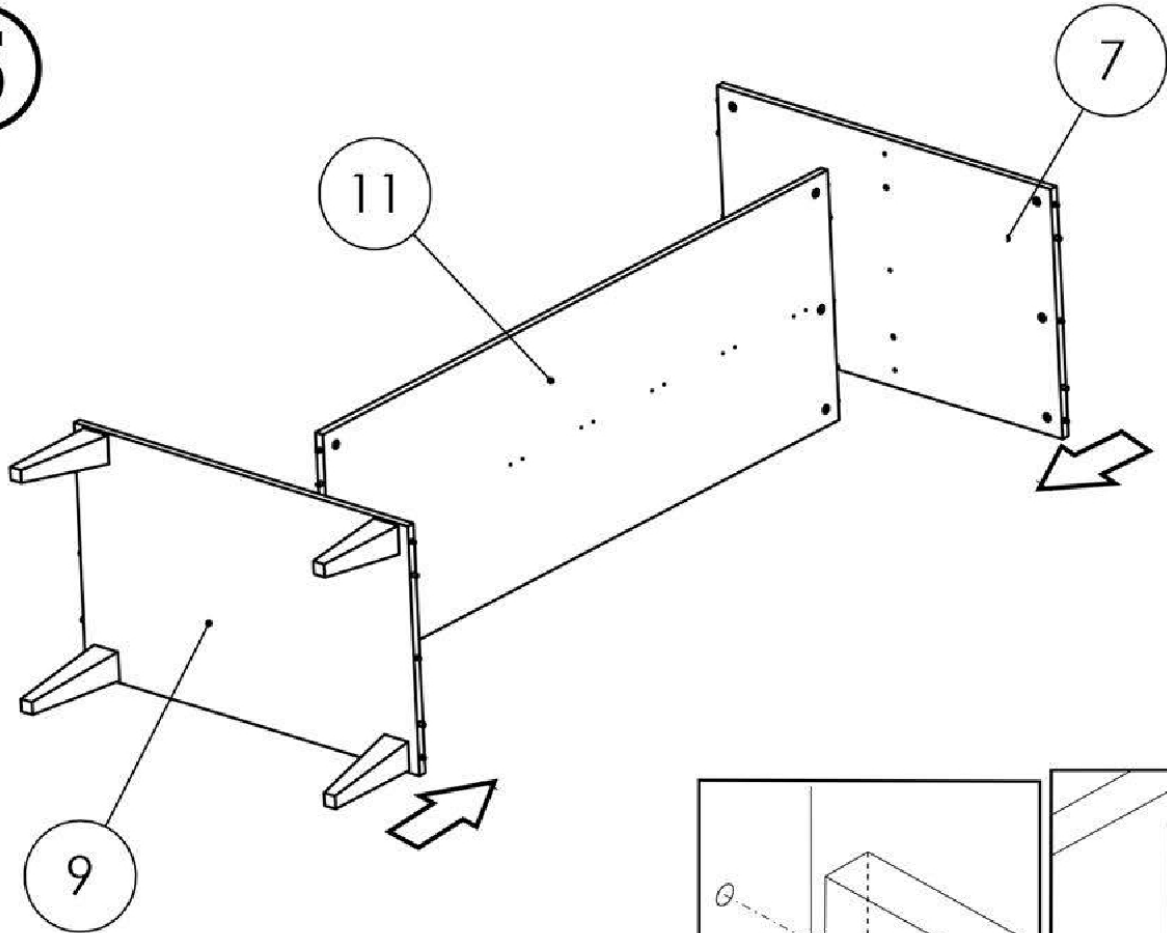


4

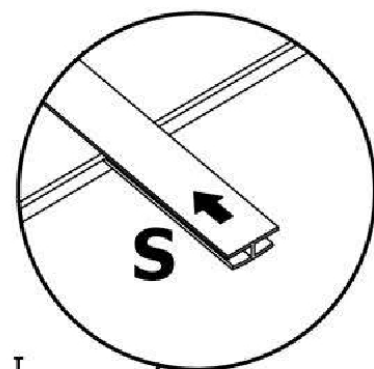
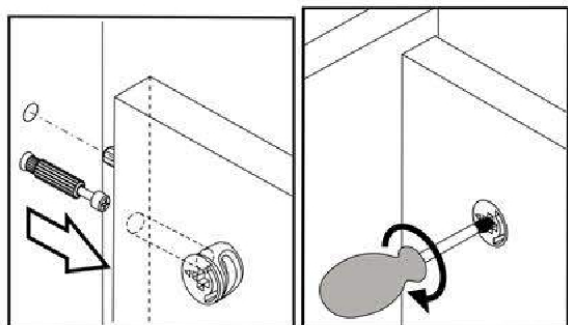
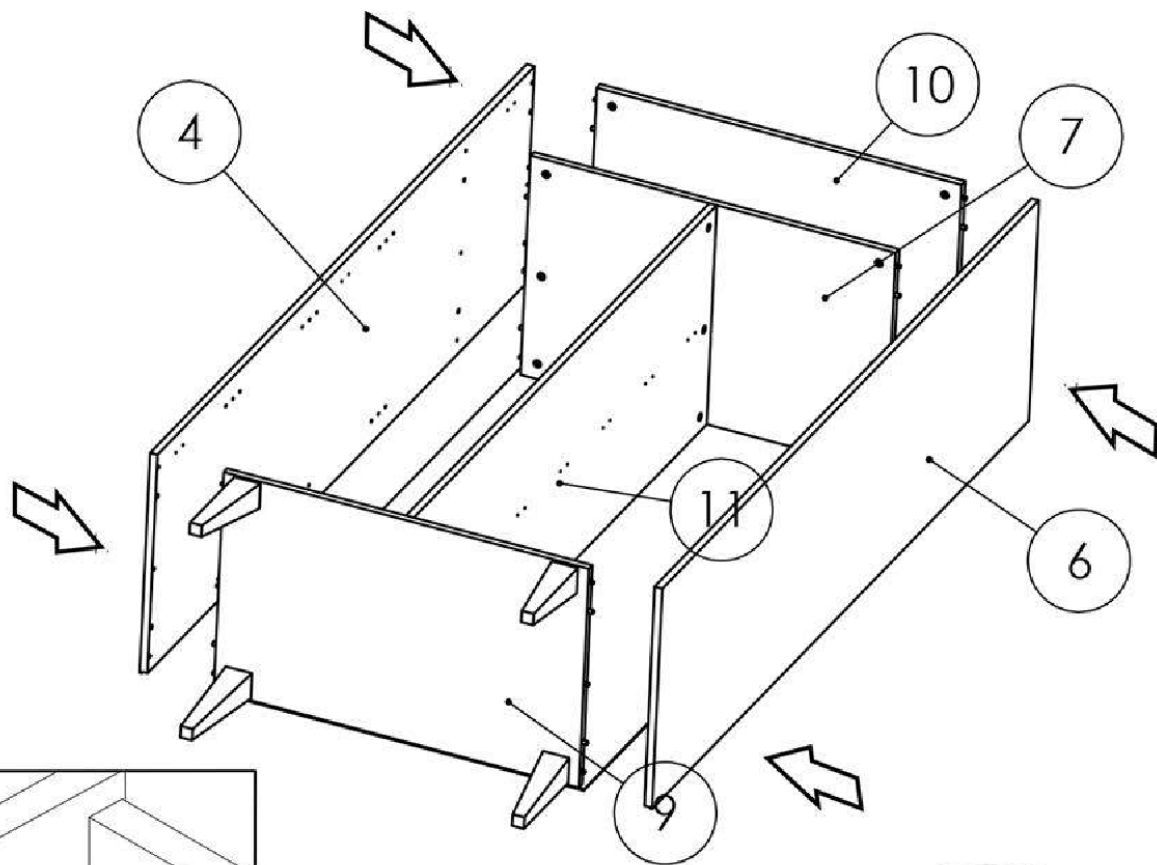




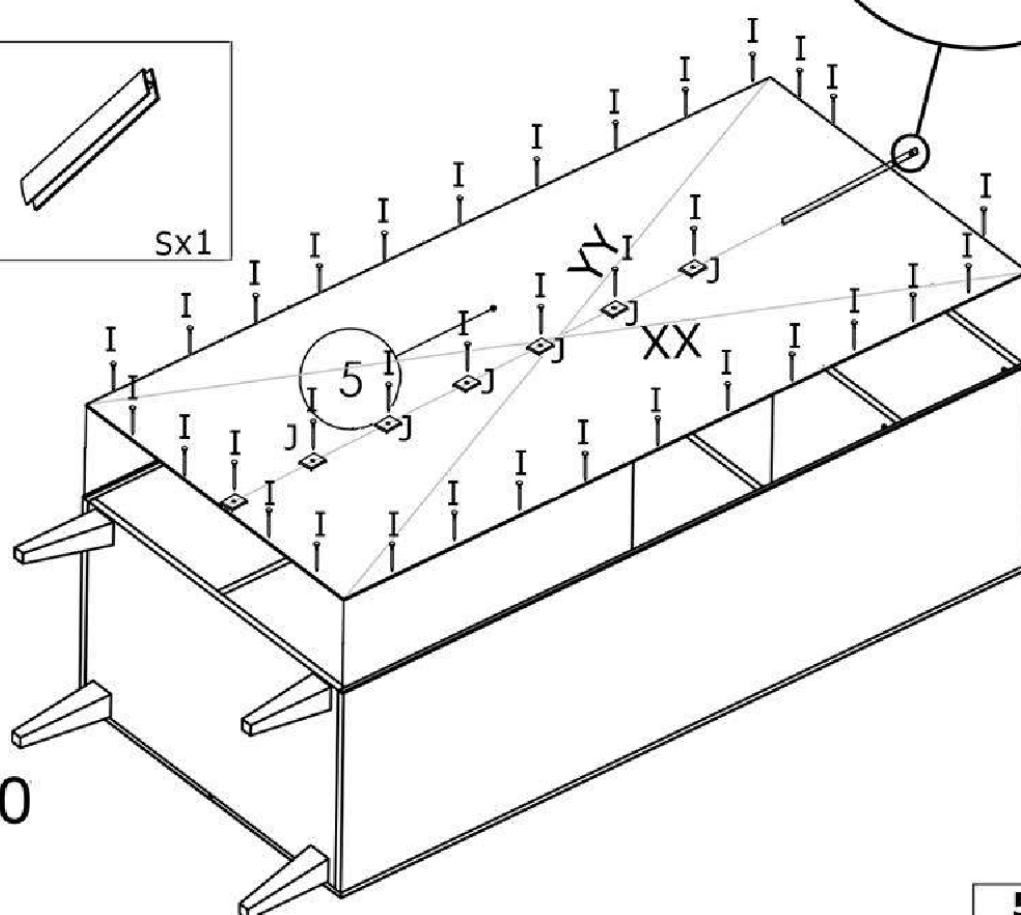
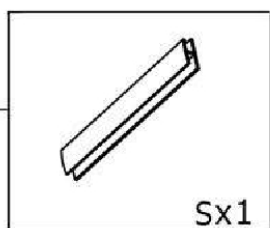
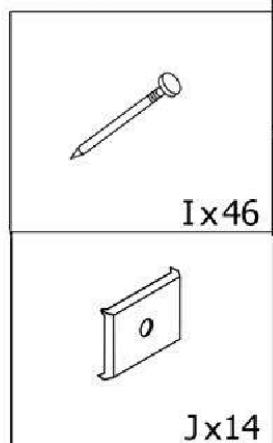
5



6

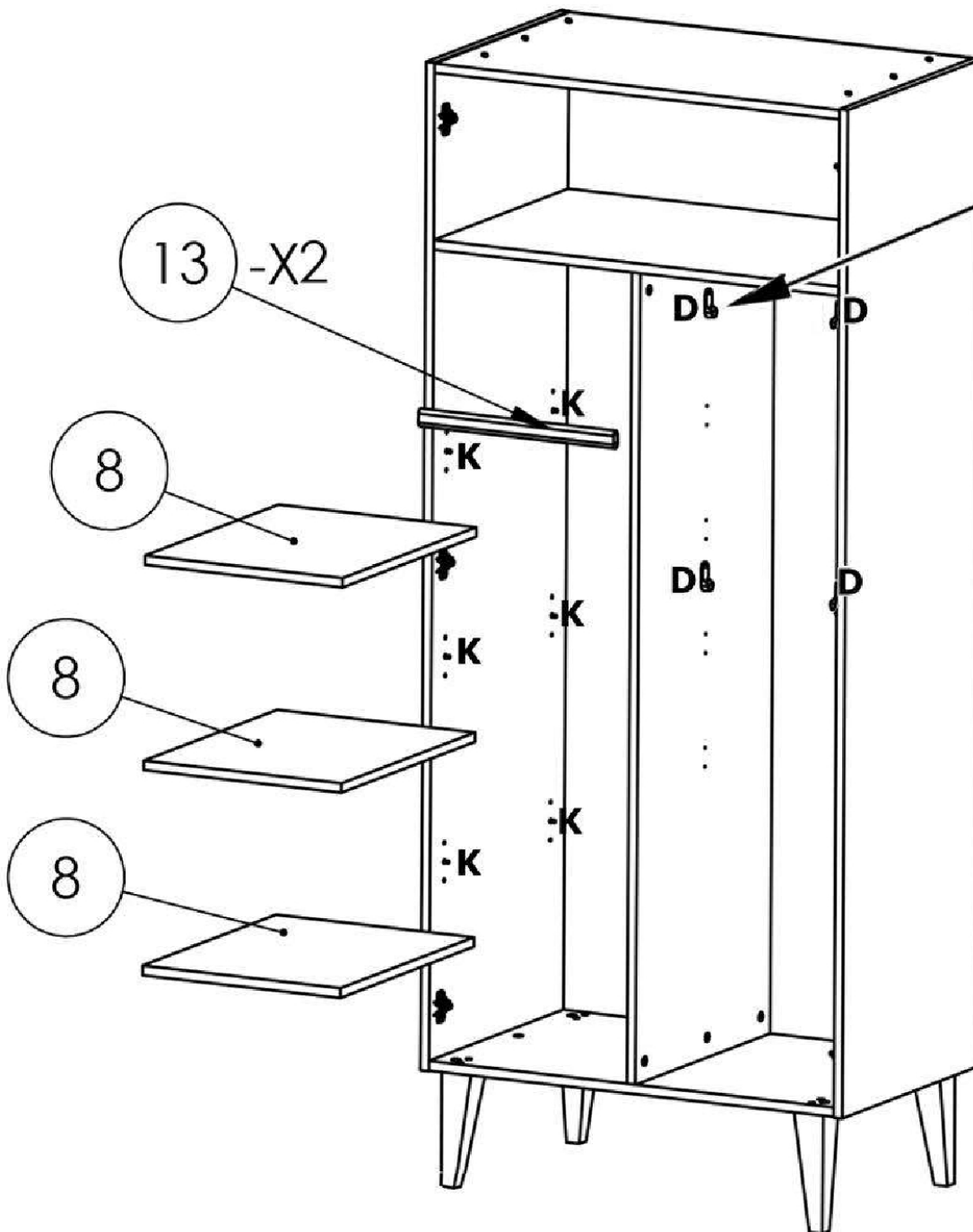
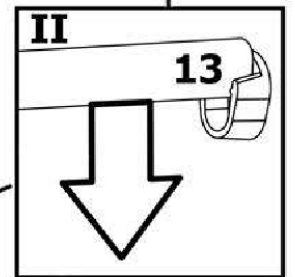
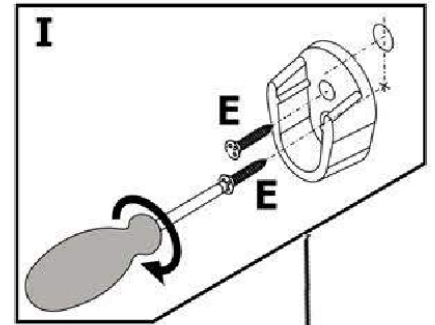
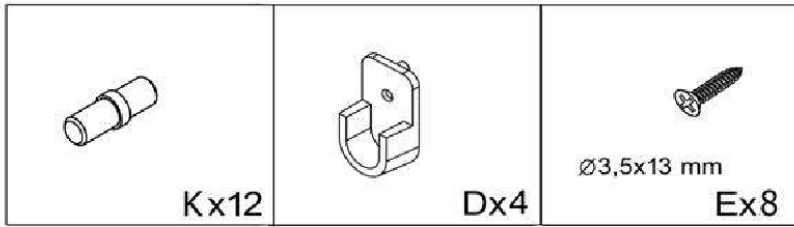


7

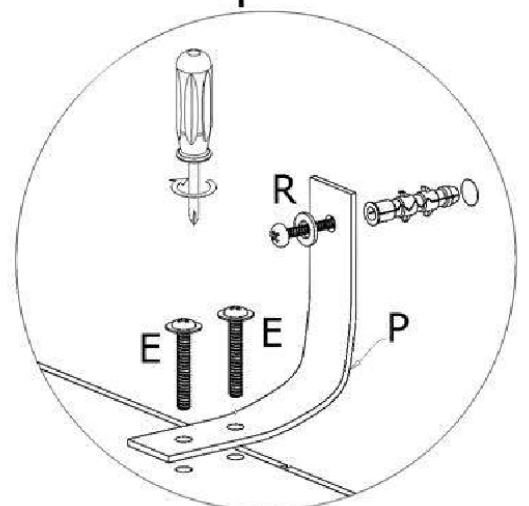
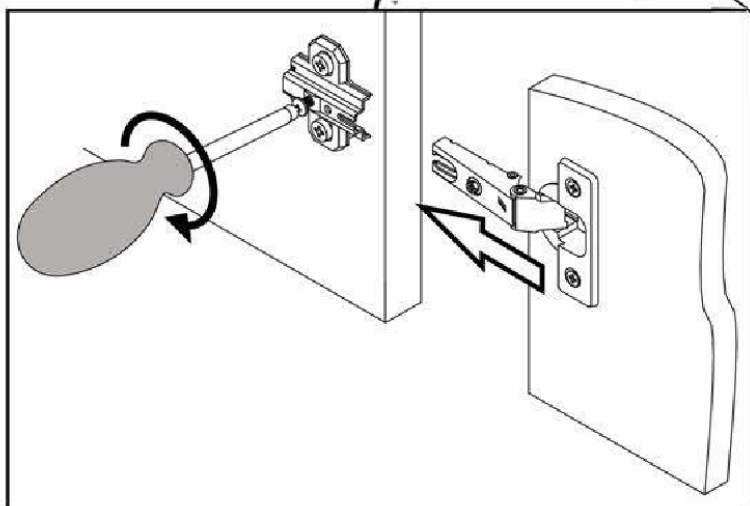
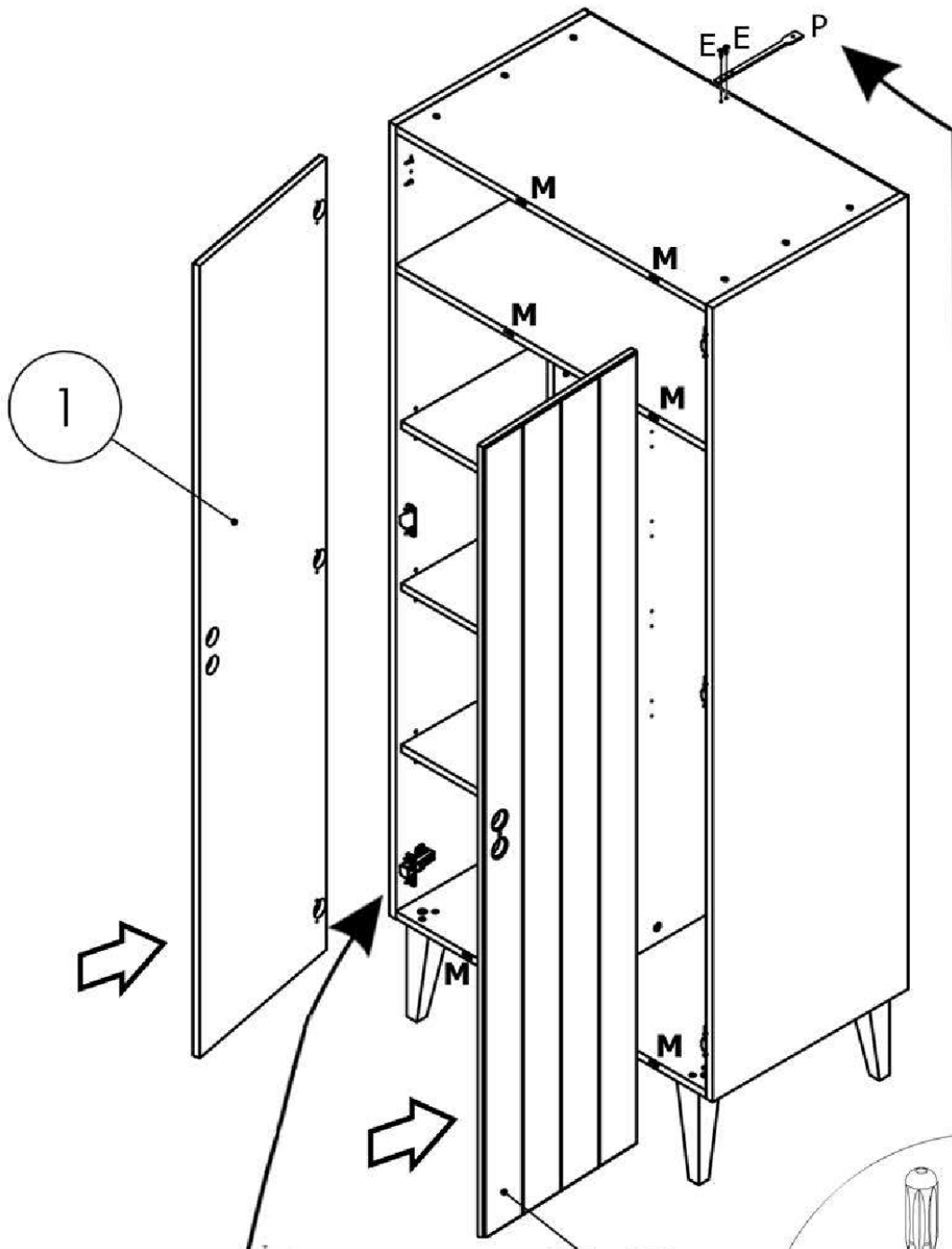
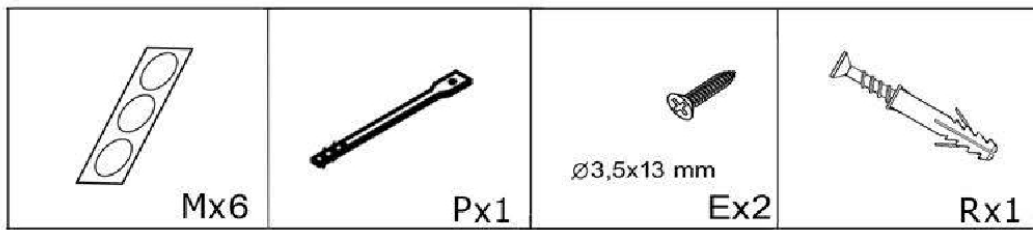


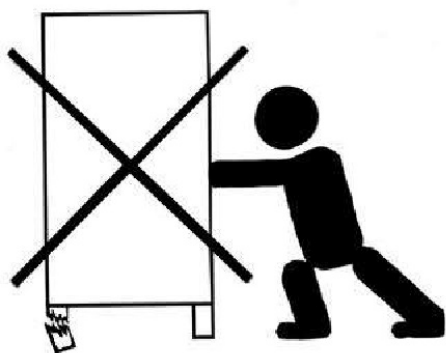
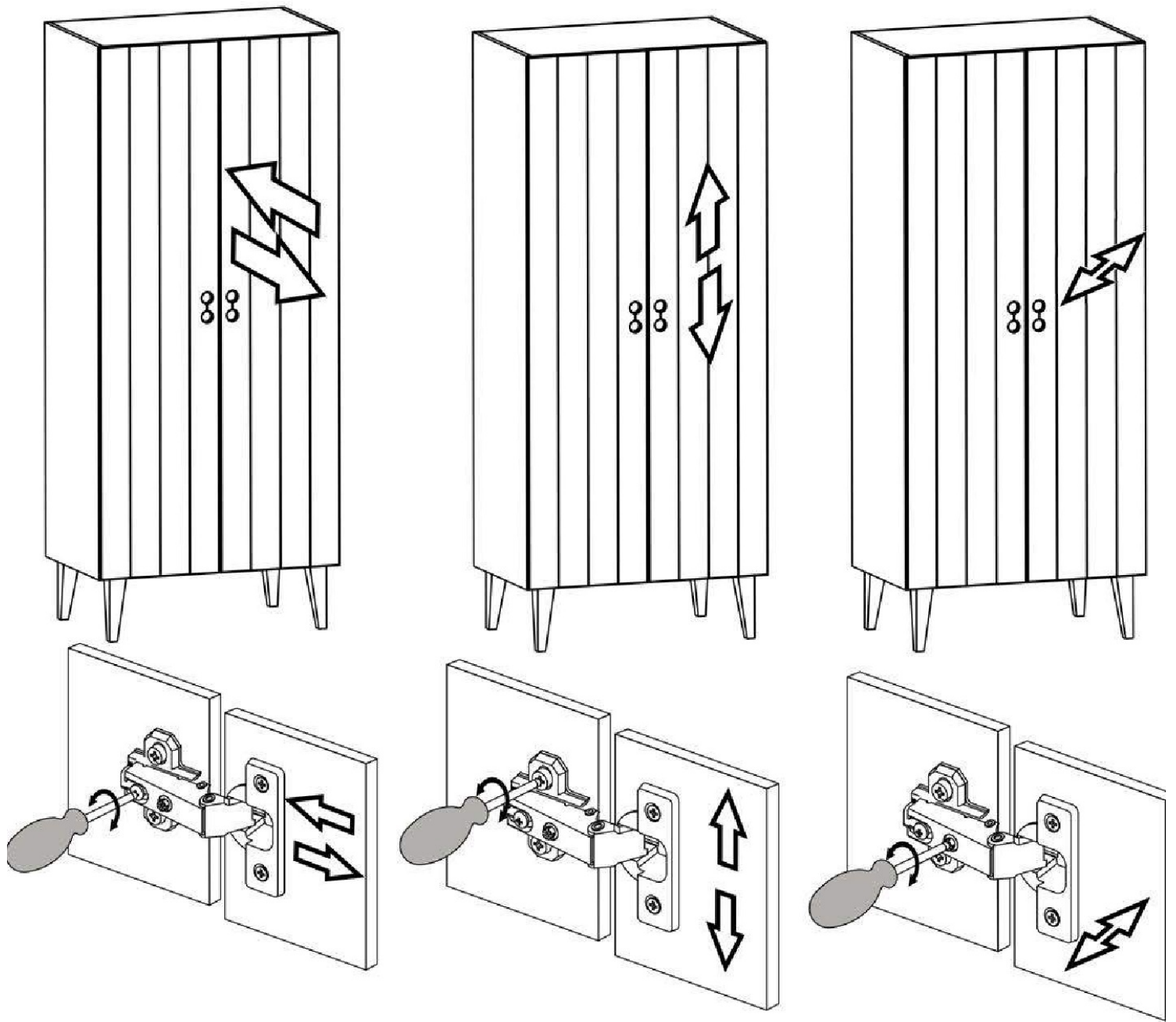
$XX = YY \cong 90$

8

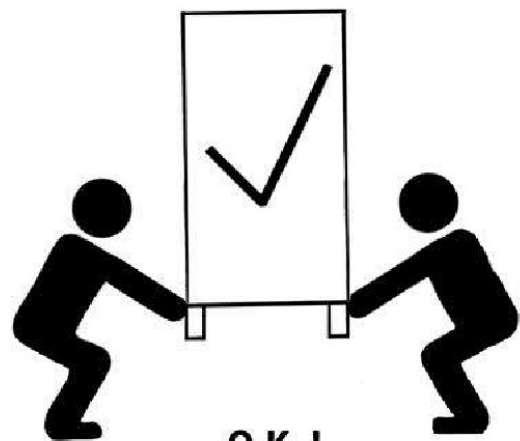


9





N.O. !



O.K. !