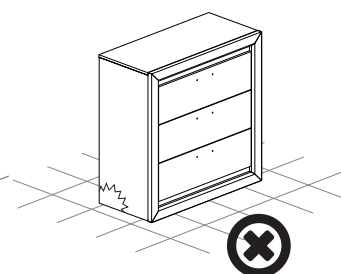
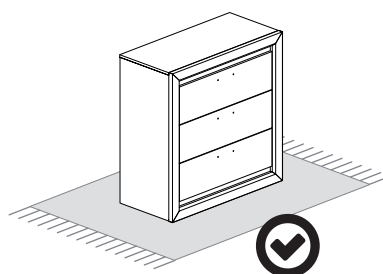
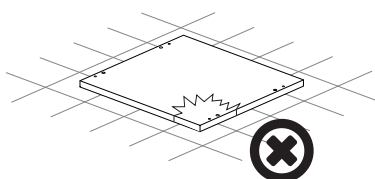
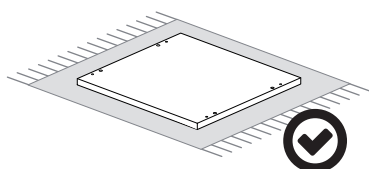
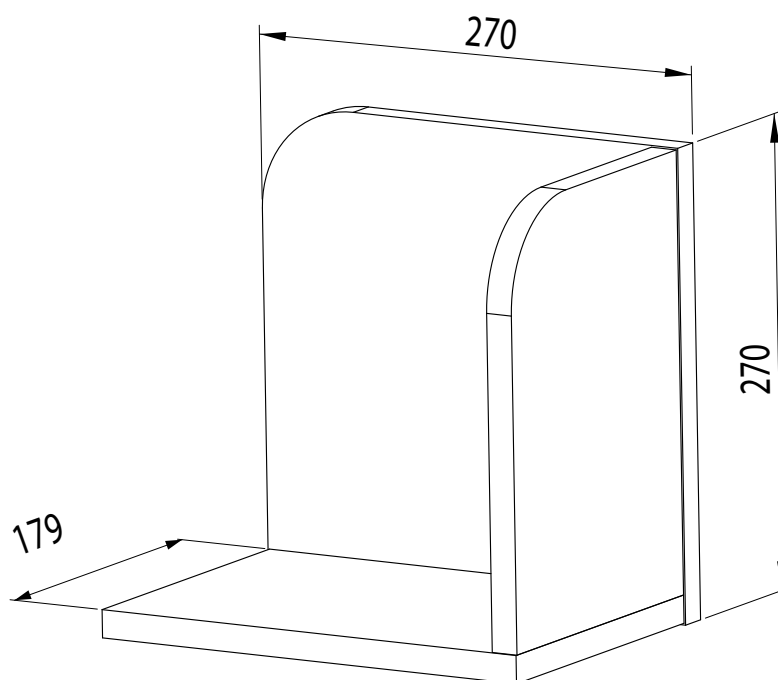
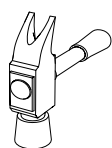
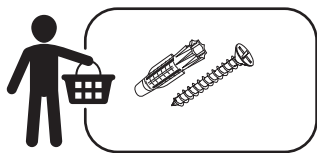
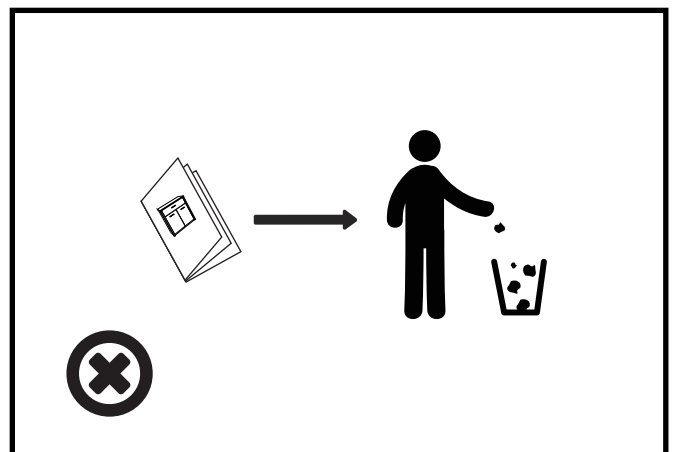
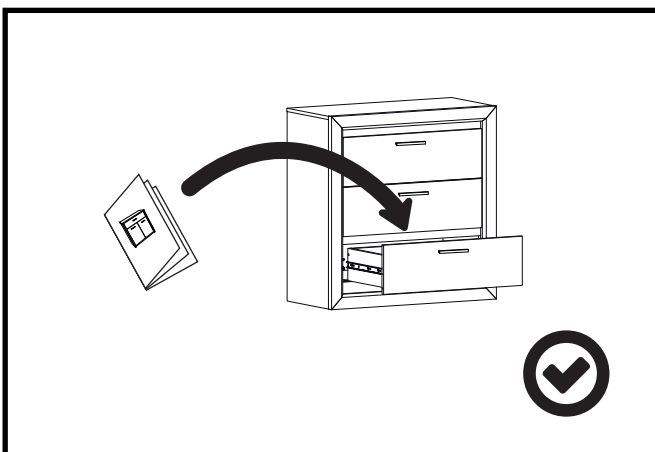
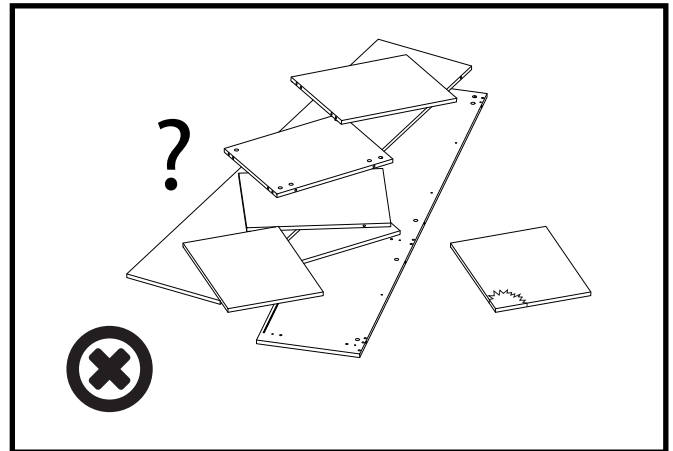
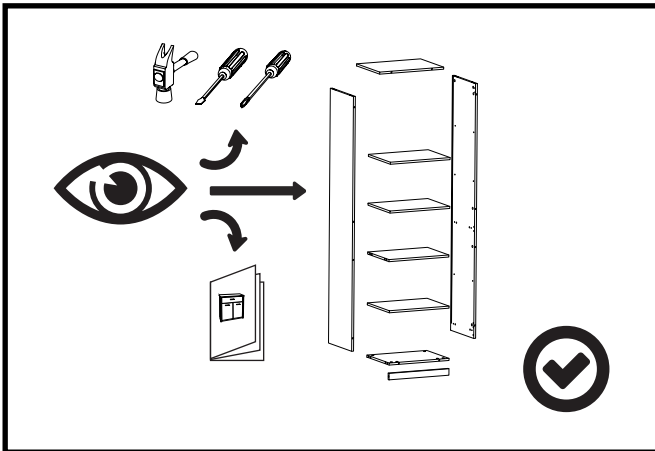
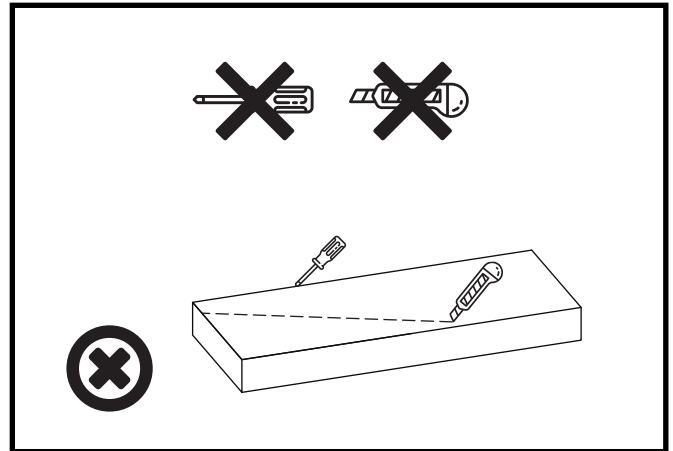
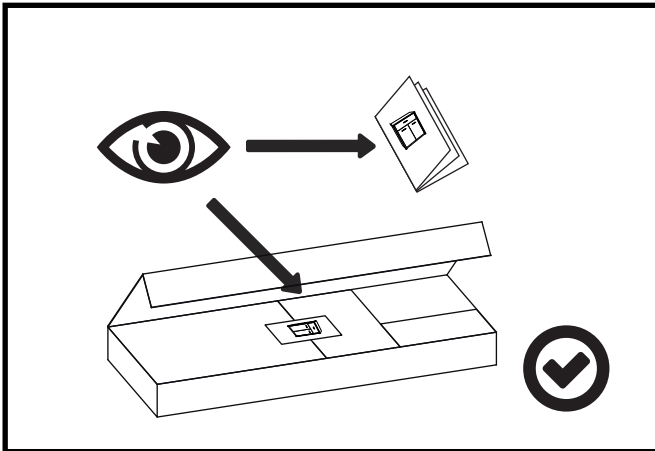
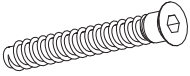

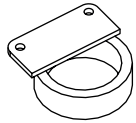



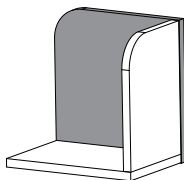
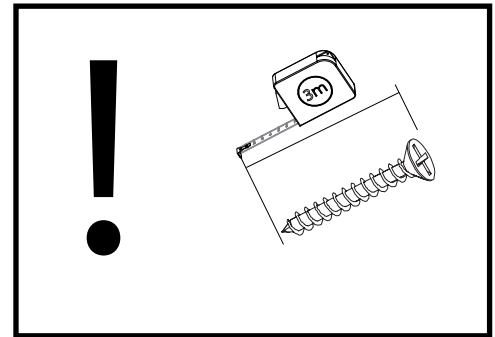





# IQ 16 N

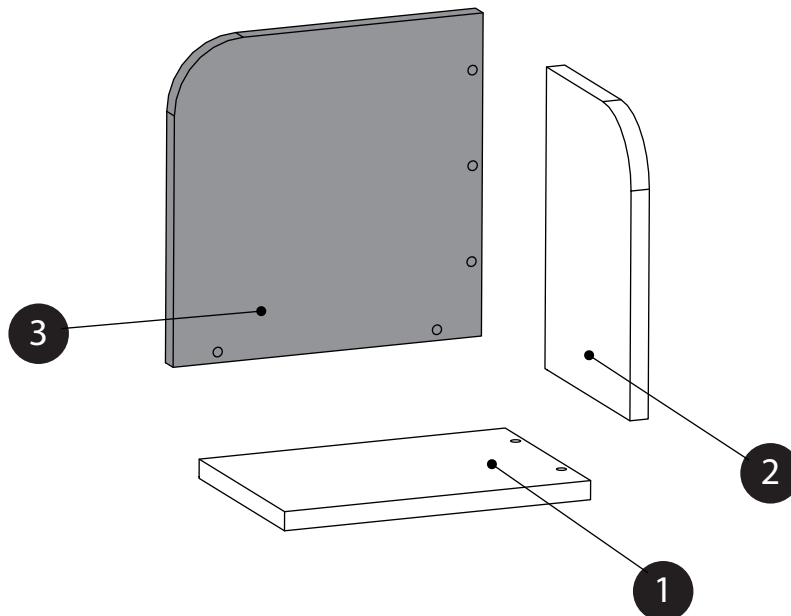


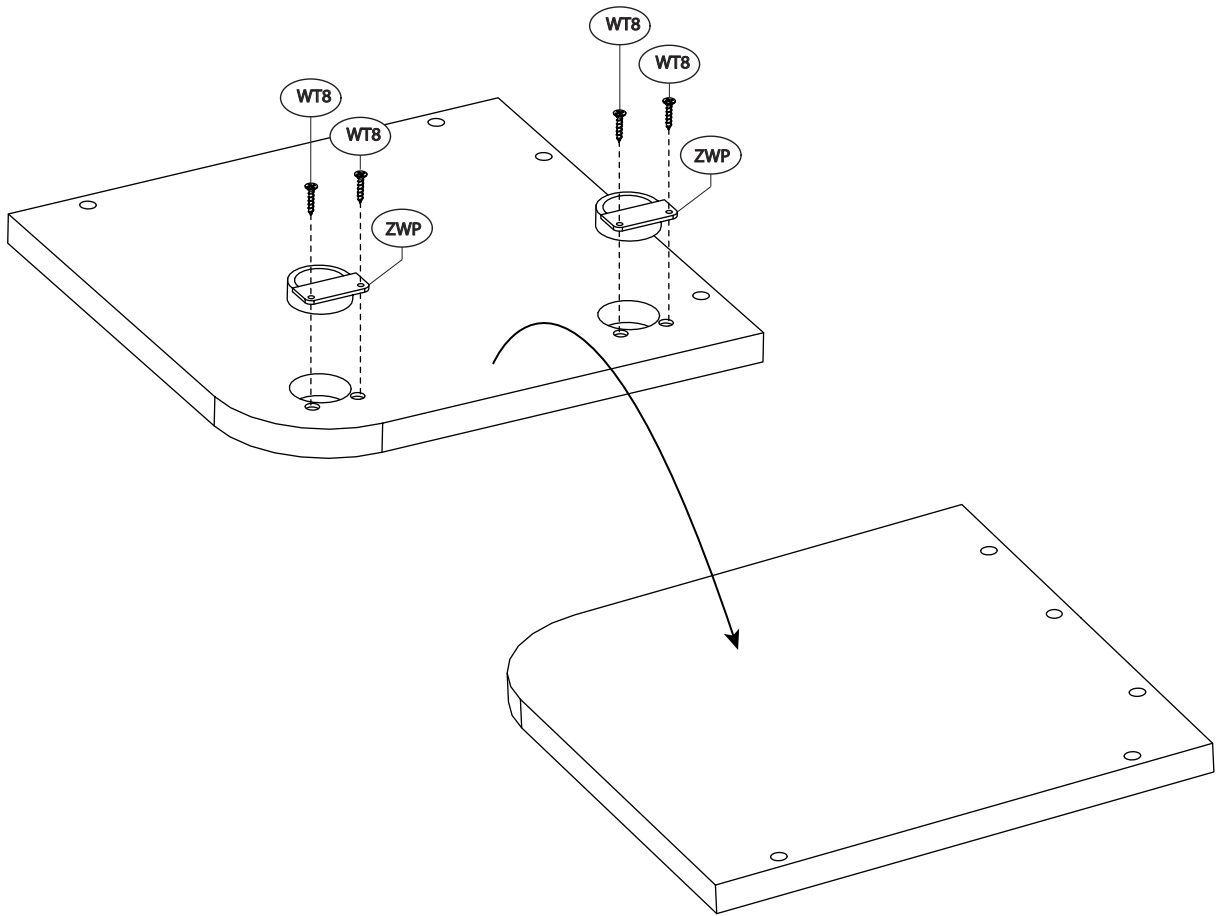
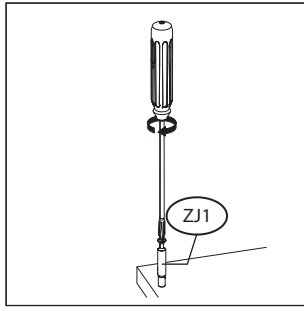
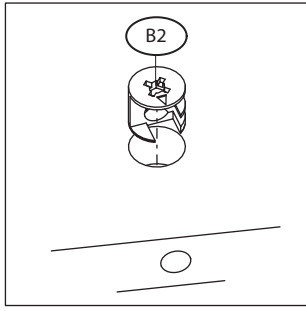
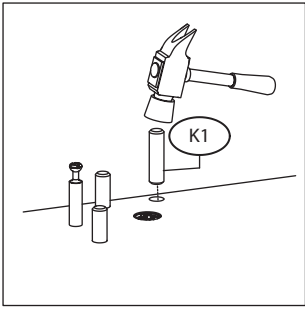


<b>KT1</b> x 7 6,3x50 	<b>ZS1</b> x 2 	<b>ZWP</b> x 2 
<b>WT8</b> x 4 3x16 	<b>x 1</b> 	<b>KL</b> x 1 

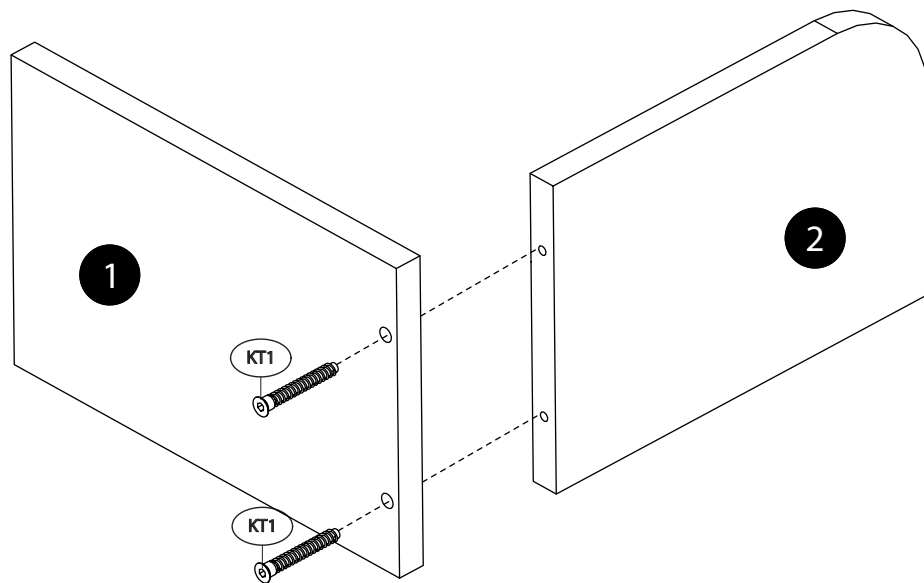


	CODE			
<b>1</b>	IQ15K_01	268	179	1
<b>2</b>	IQ15K_02	252	178	1
<b>3</b>	IQ15W_01	270	270	1





**A** ▶



**B** ▶

