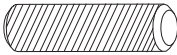


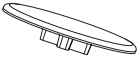
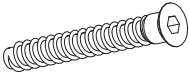

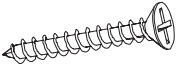

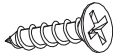
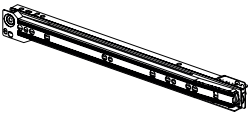

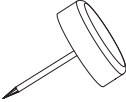


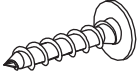

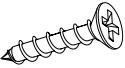
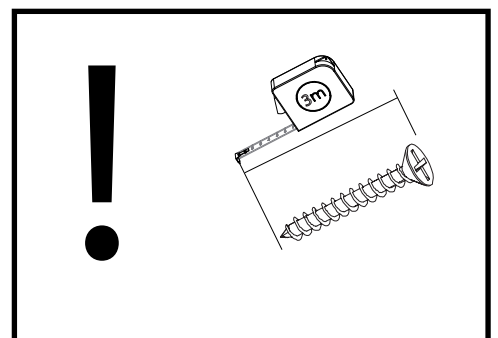
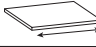

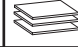
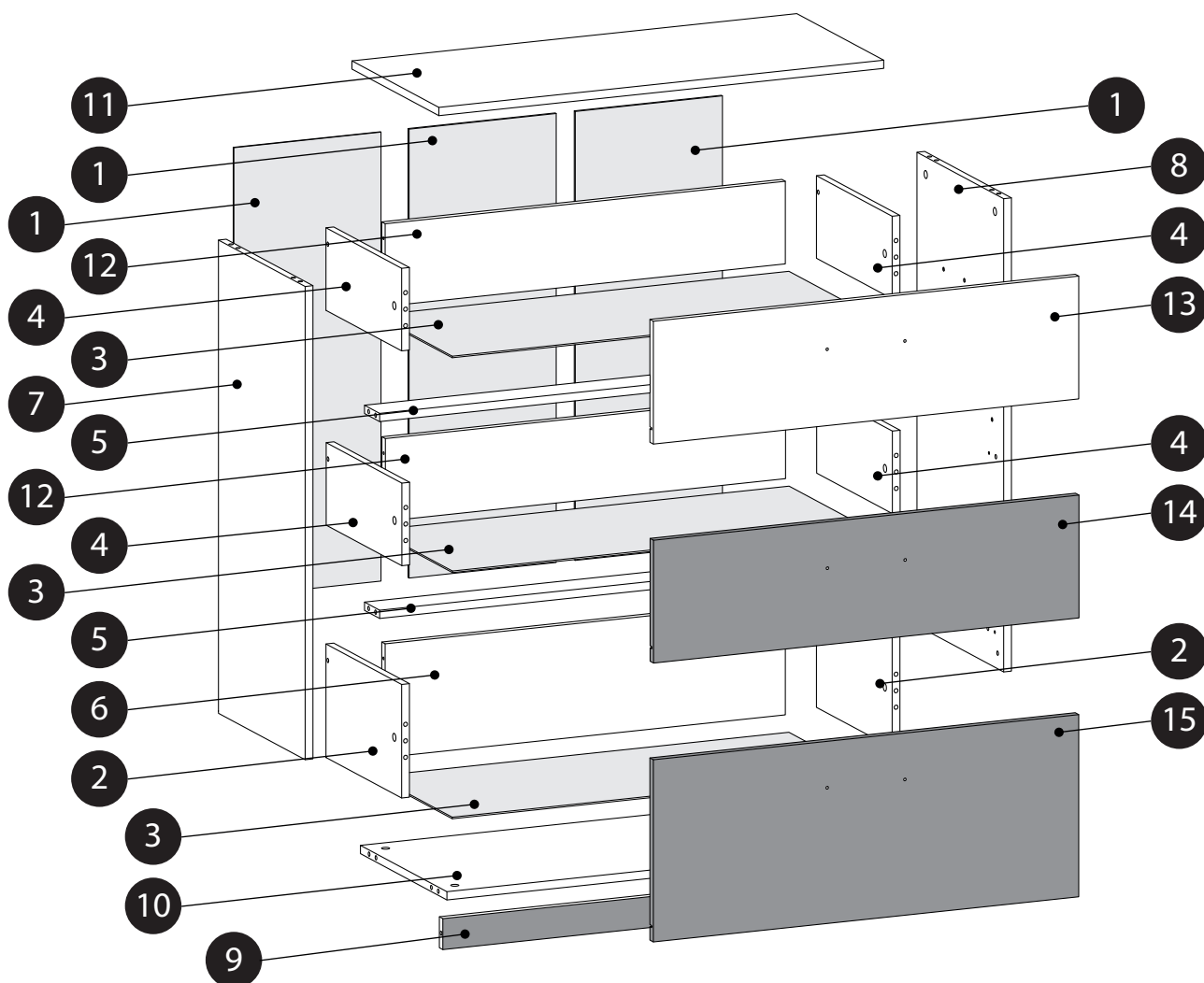
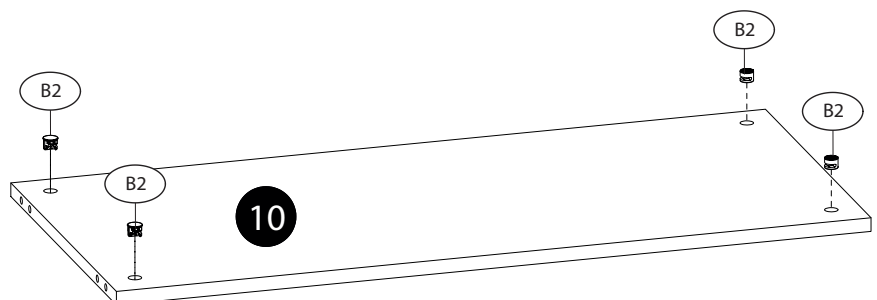
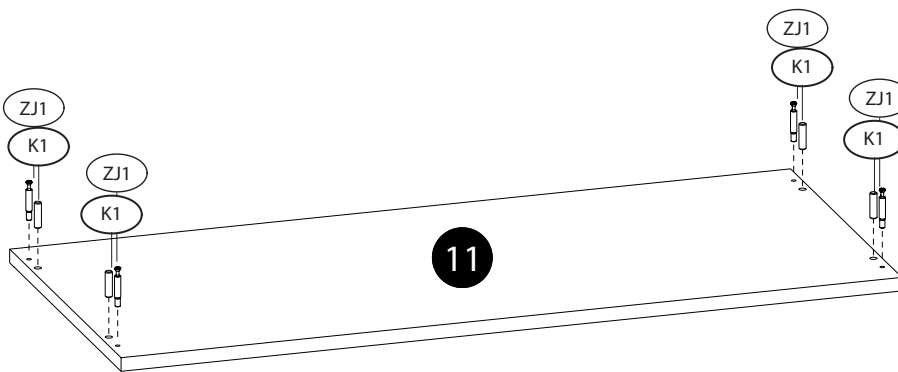
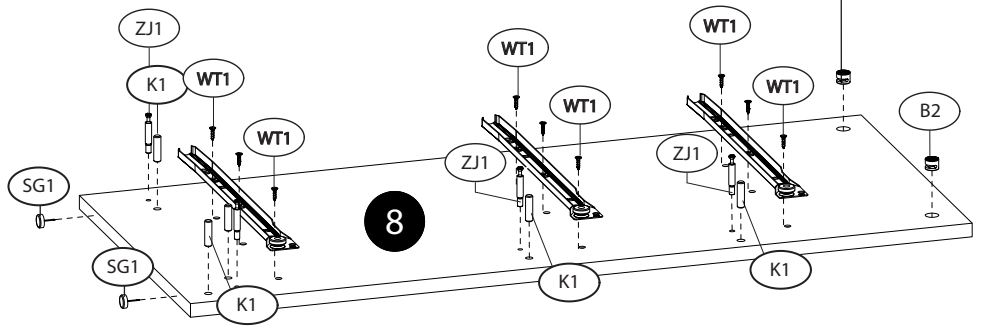
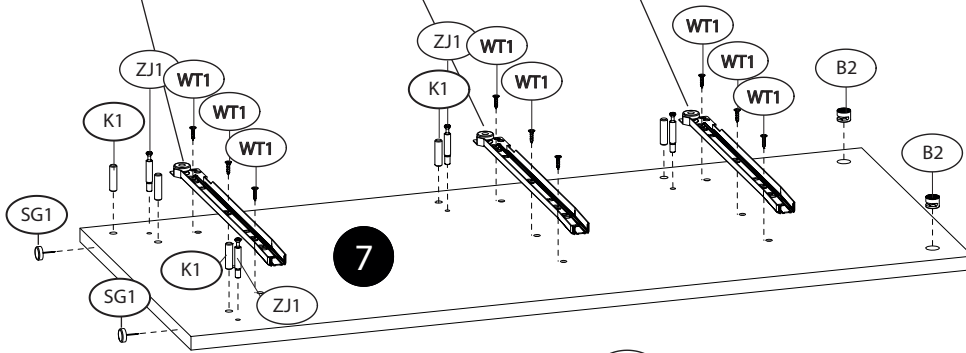
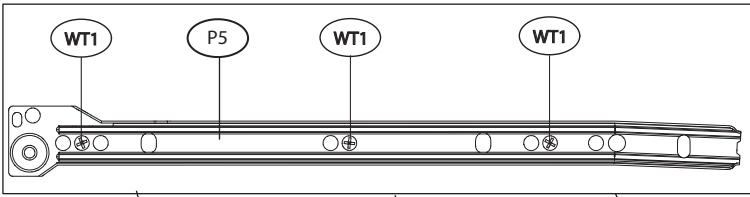
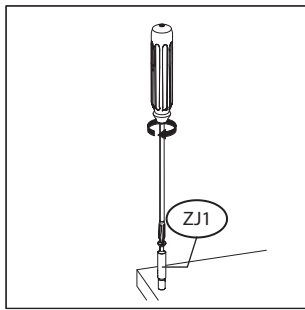
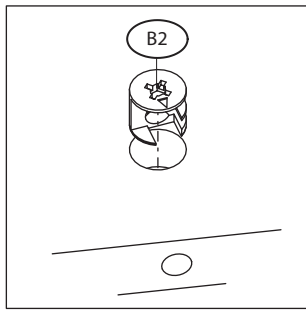
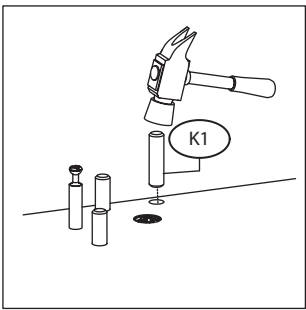


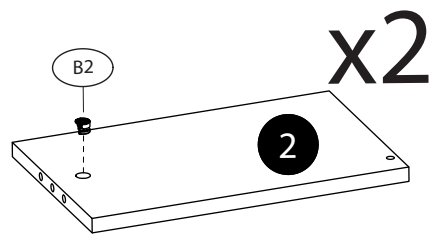
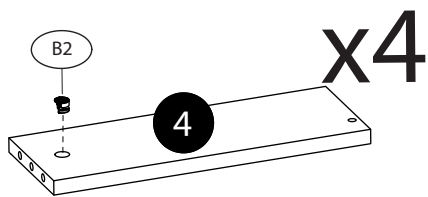
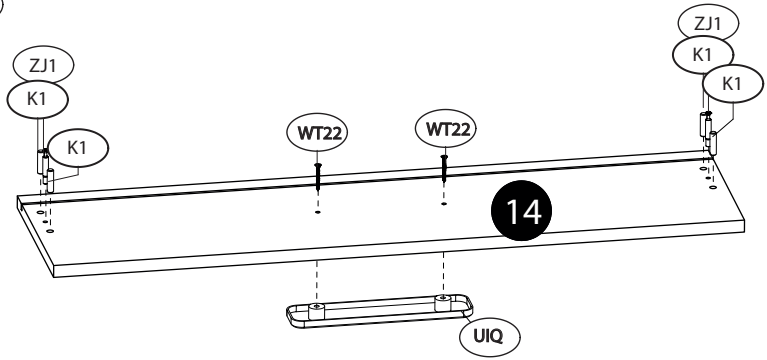
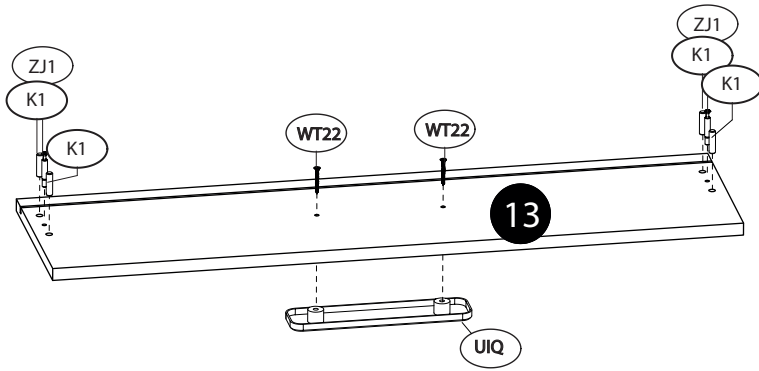
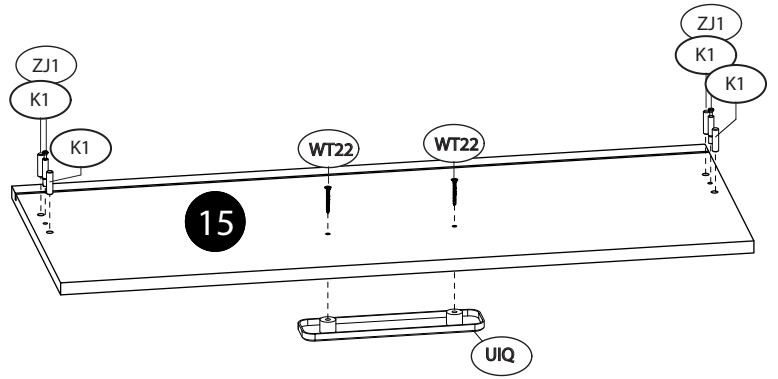
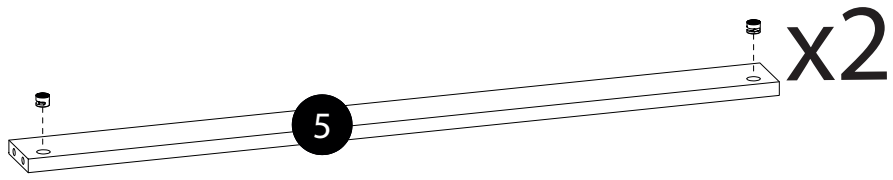
| | | |
|--|---|--|
| K1 x 26  | GW1 x 30  | B2 x 18  |
| ZM1 x 6  | KT1 x 8 6,3x50  | ZJ1 x 18  |
| WT22 x 6 4x35  | x 1  | WT1 x 24 3,5x15  |
| P5 x 3  | UIQ x 3  | SG1 x 5  |
| WS1 x 1  | KL x 1  | WT9 x 24 3x16  |
| SP x 3  | WT35 x 18 3x20  | |

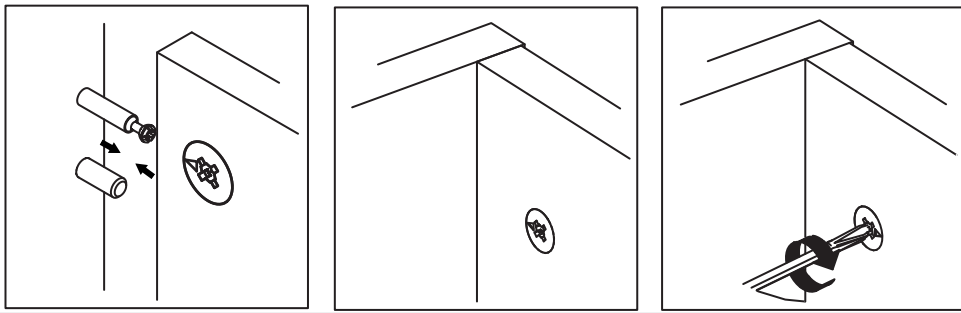


| | CODE |  |  |  |
|----|-------------|---|---|---|
| 1 | IQ10KHDF_02 | 302 | 868 | 3 |
| 2 | IQ10K_07 | 220 | 350 | 2 |
| 3 | IQ10KHDF_01 | 851 | 355 | 3 |
| 4 | IQ10K_09 | 160 | 350 | 4 |
| 5 | IQ10K_06 | 881 | 70 | 2 |
| 6 | IQ10K_08 | 824 | 220 | 1 |
| 7 | IQ10K_03 | 917 | 401 | 1 |
| 8 | IQ10K_04 | 917 | 401 | 1 |
| 9 | IQ10W_01 | 881 | 60 | 1 |
| 10 | IQ10K_02 | 881 | 400 | 1 |
| 11 | IQ10K_01 | 916 | 402 | 1 |
| 12 | IQ10K_10 | 824 | 160 | 2 |
| 13 | IQ10K_05 | 876 | 238 | 1 |
| 14 | IQ10W_03 | 876 | 238 | 1 |
| 15 | IQ10W_02 | 876 | 353 | 1 |

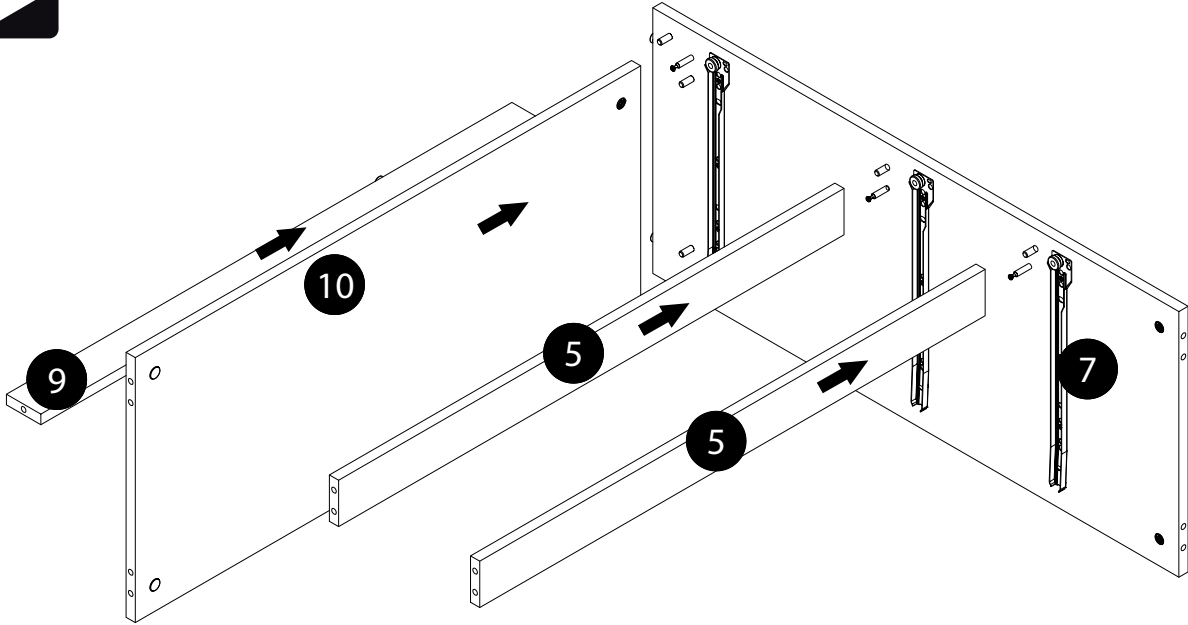




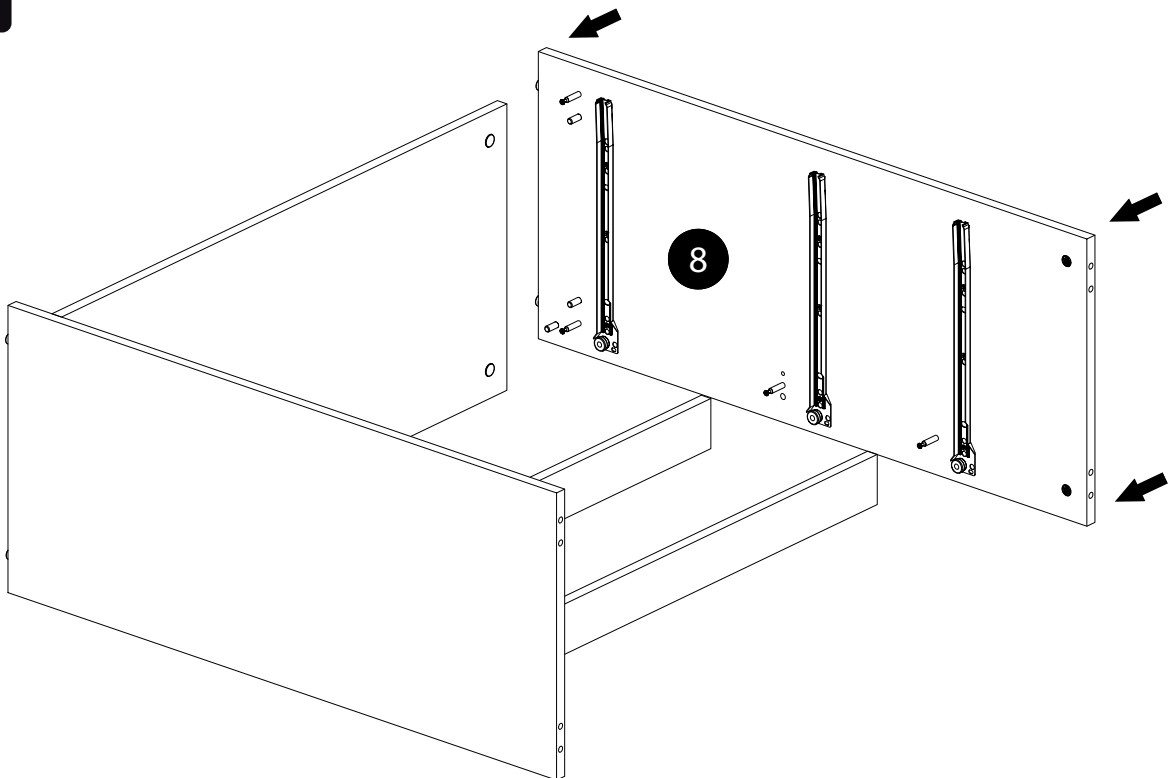


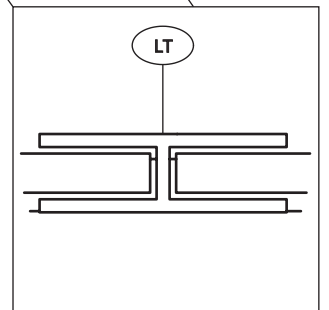
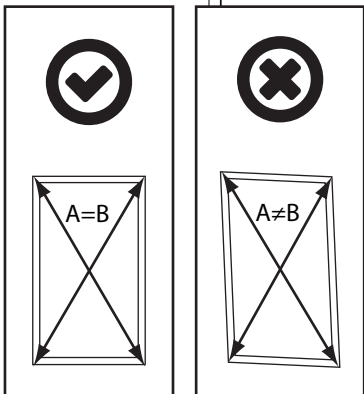
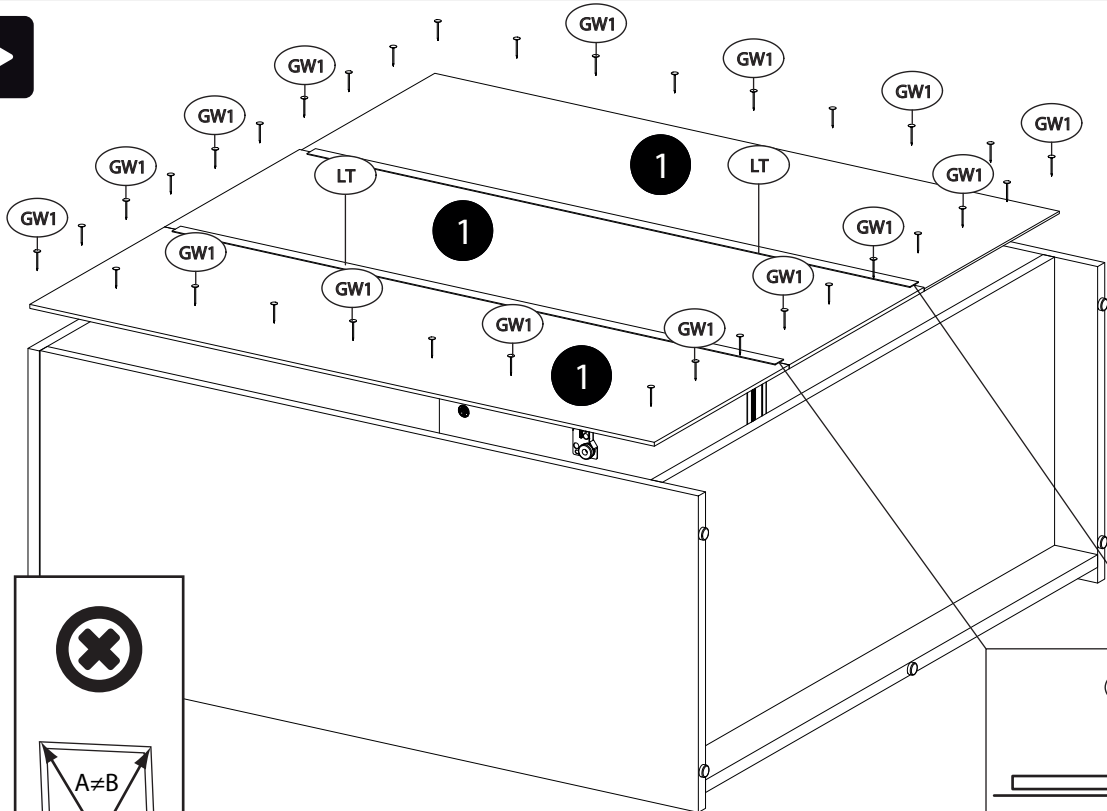
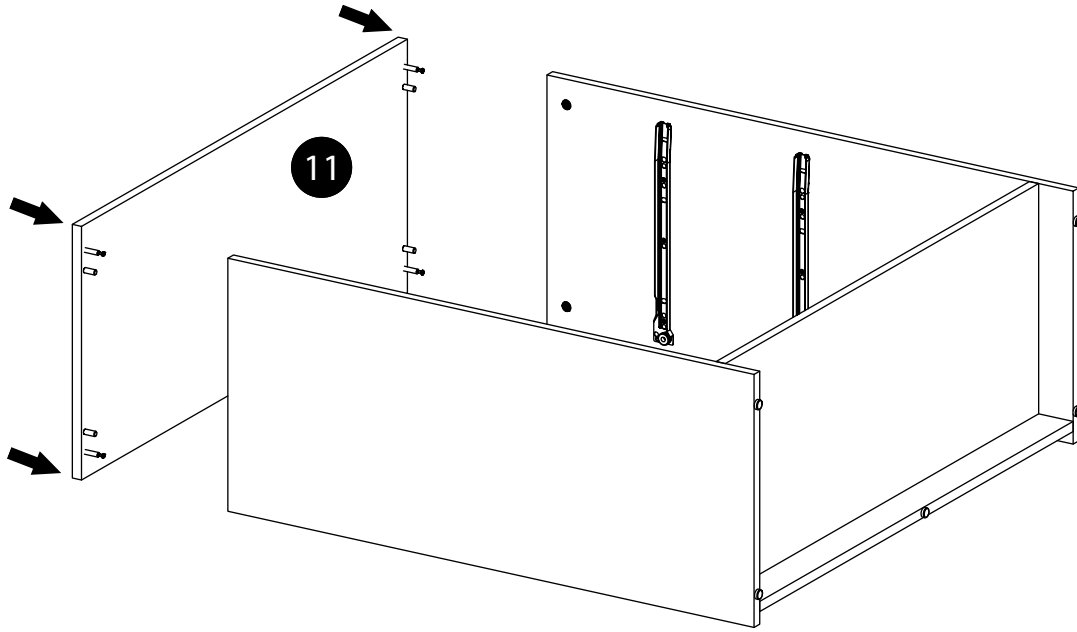


A ▶



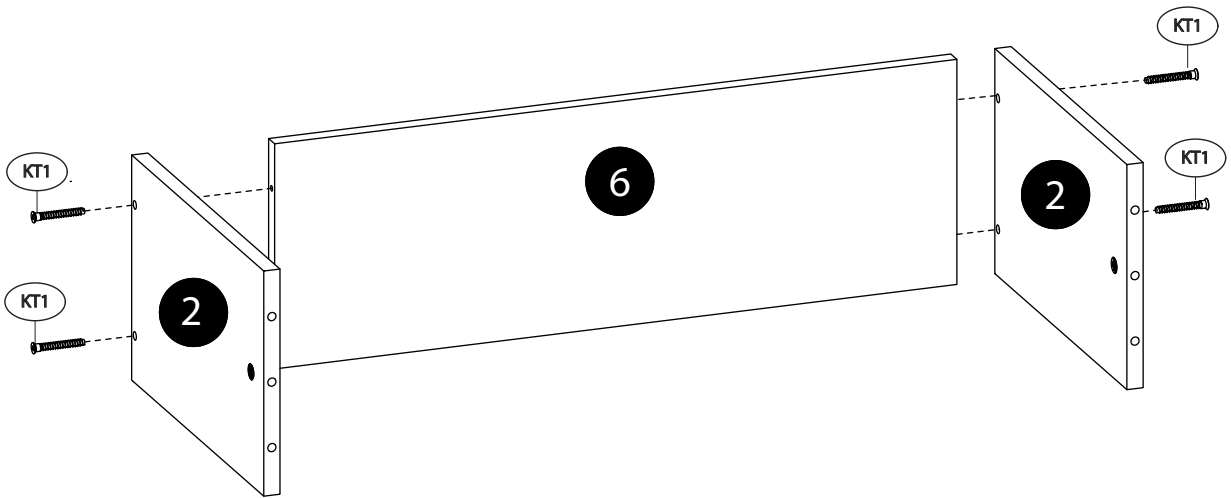
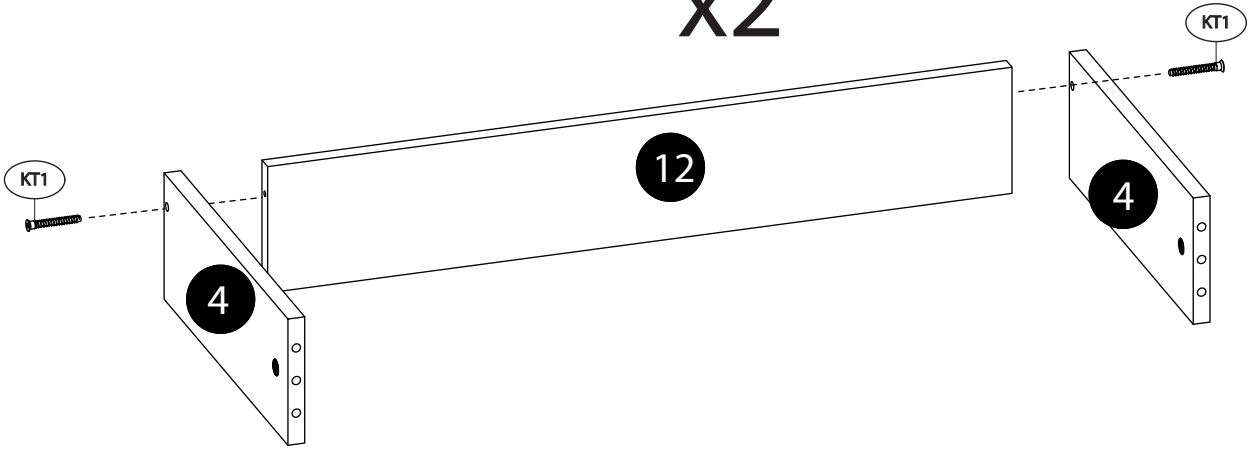
B ▶



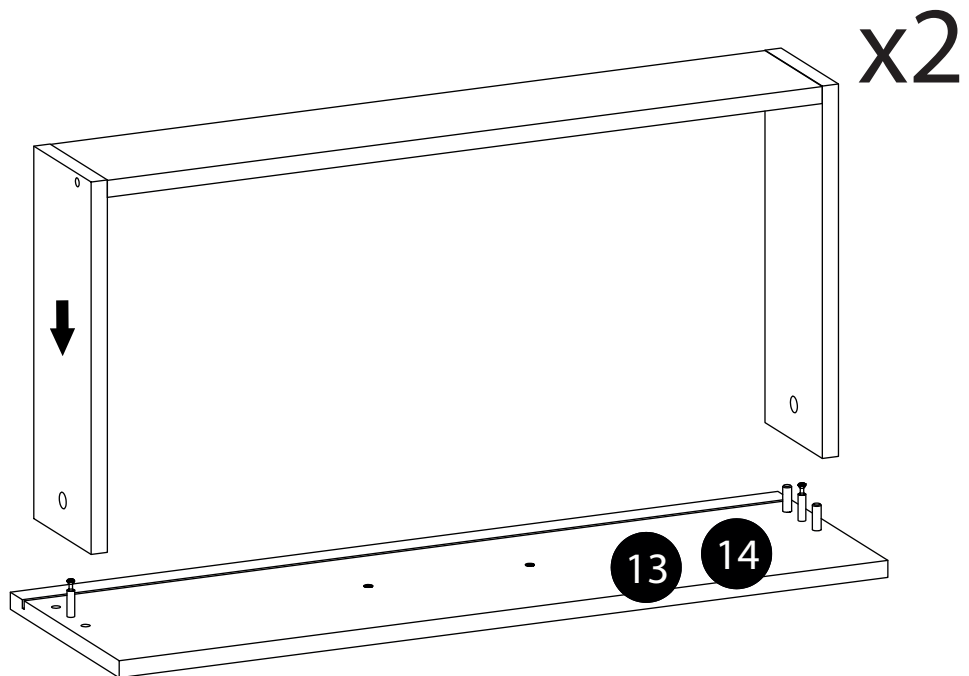
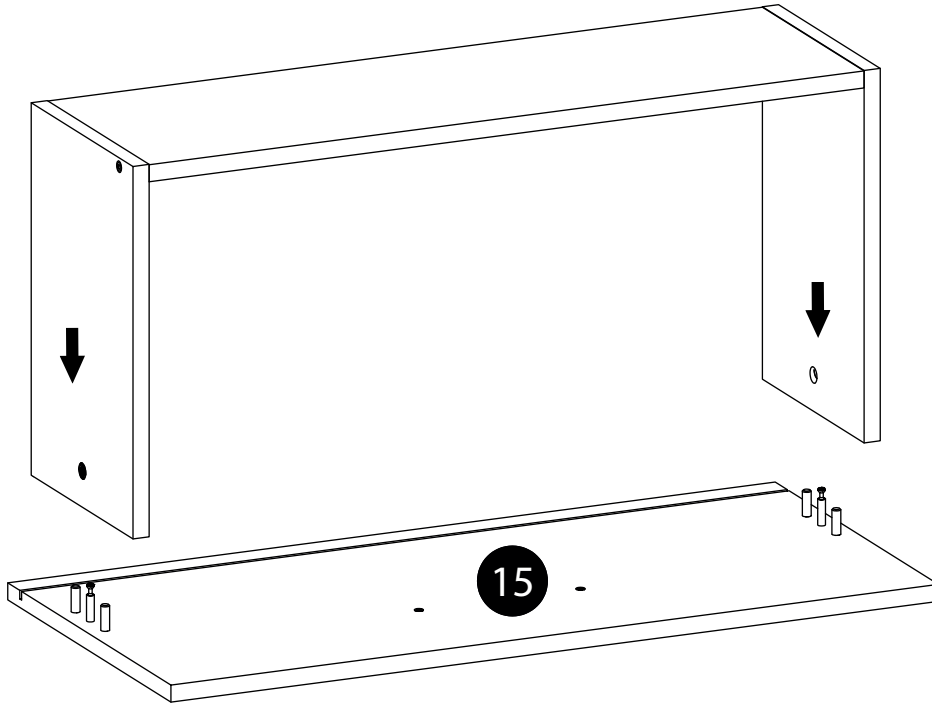




x2

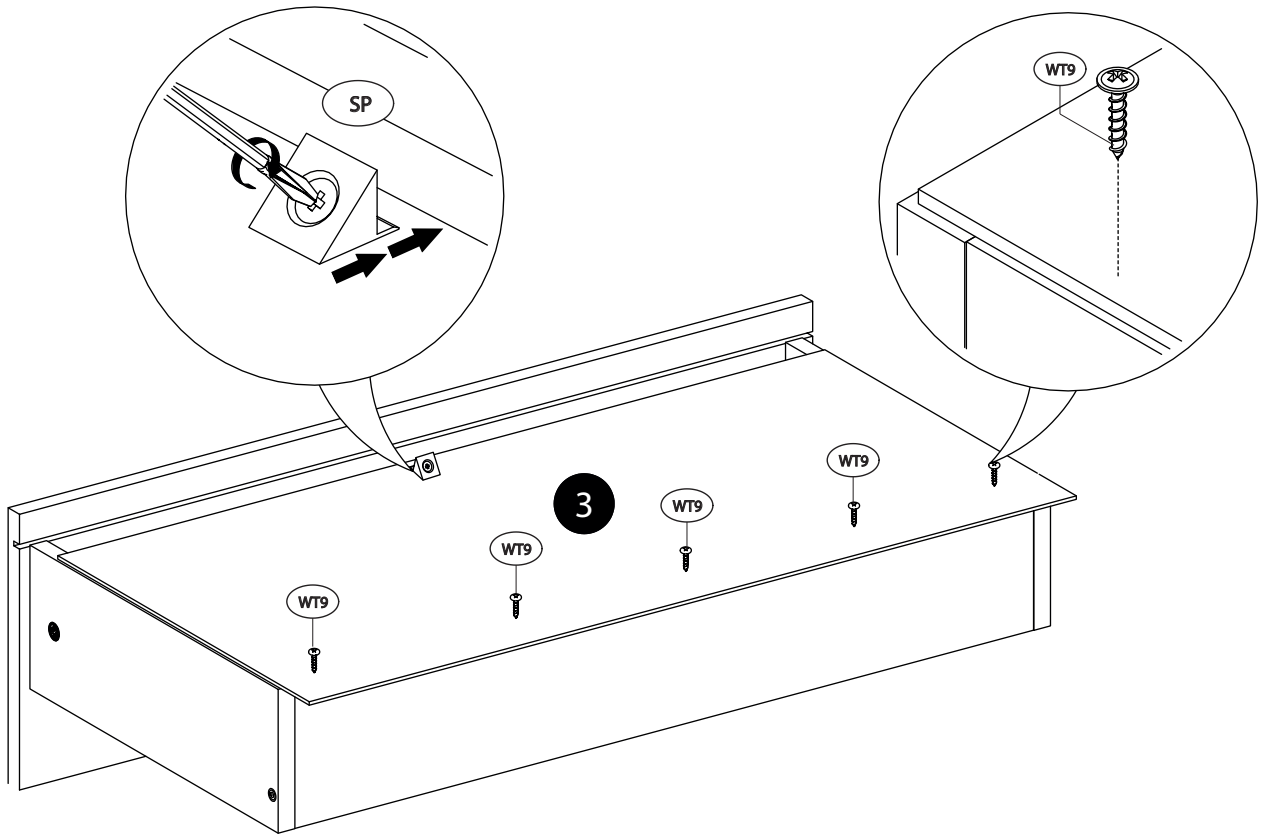


|



G ▶

x3



H ▶

x3

