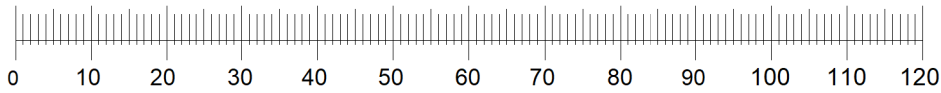
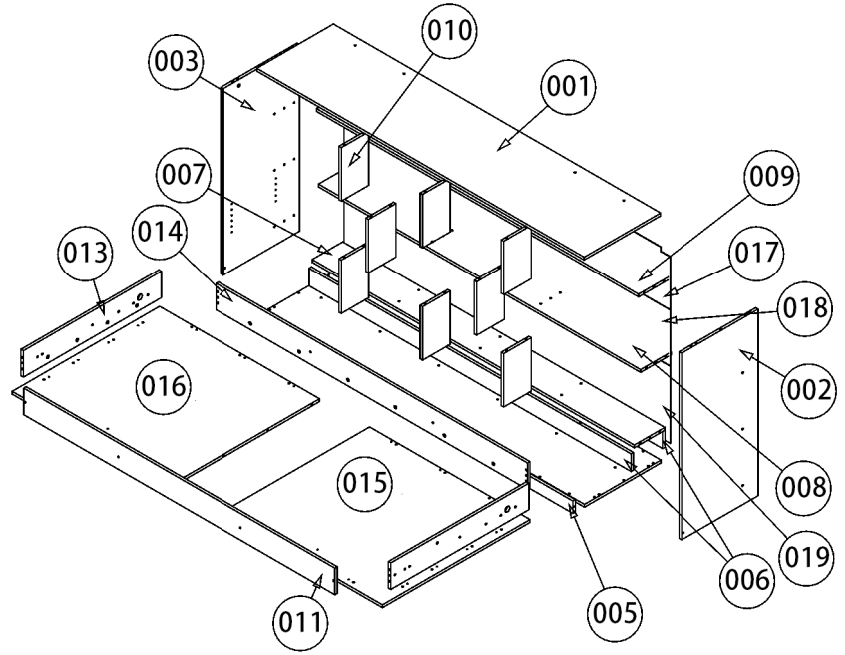
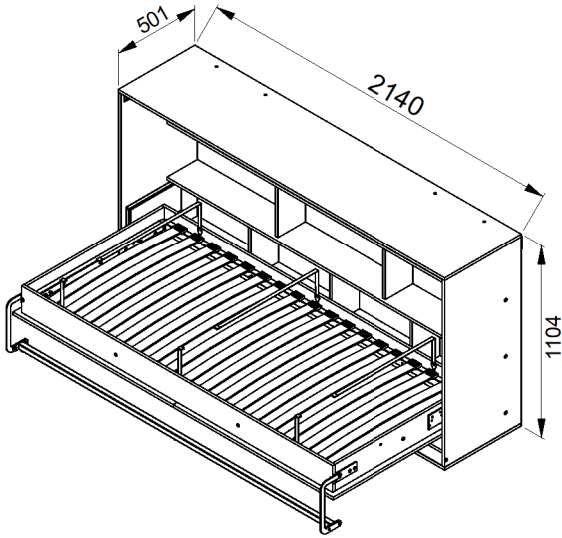
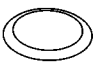
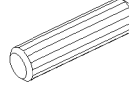
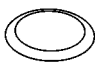
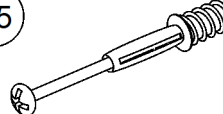
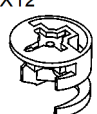
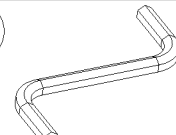
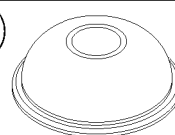
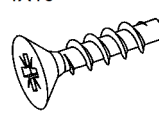

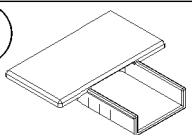

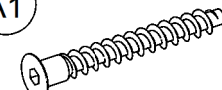
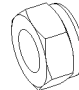

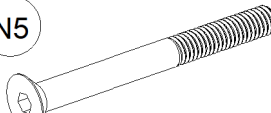
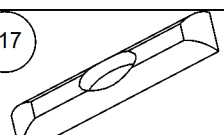
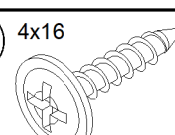

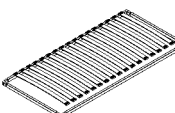
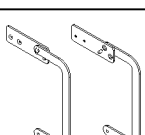
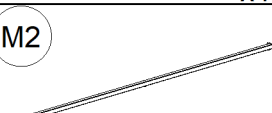



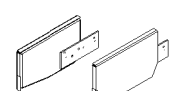
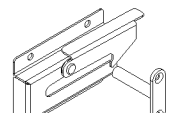

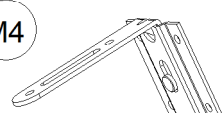


INDEX 20

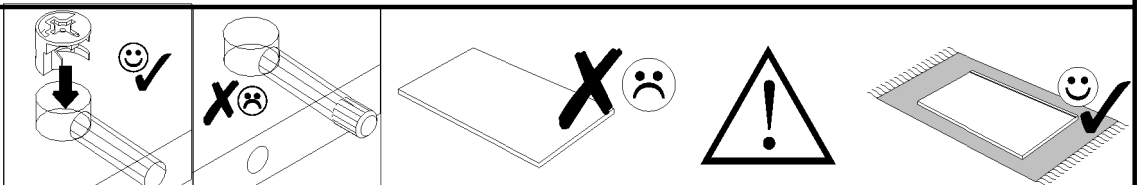


PÓLKOTAPCZAN



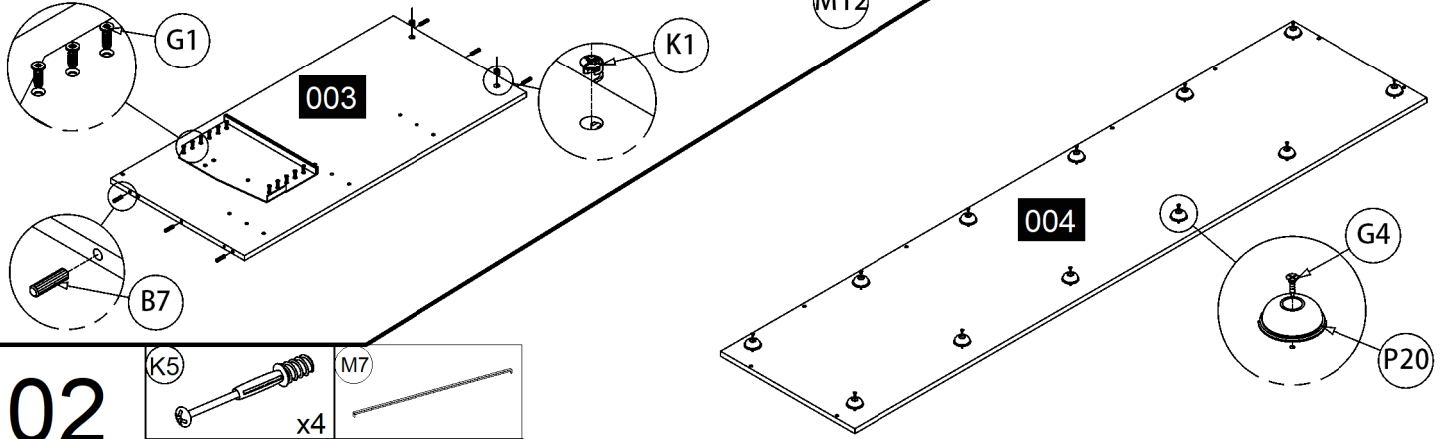
K2z  x4	B7 Ø8X30  x118	K1z  x24	K5  x24	K1 Ø15X12  x24
W2  x1	P20  x12	G4 4X16  x22	W4  x120	E1  x2
N2 M6x60  x6	A1  x31	O1  x6	A1z  x31	N5  x4
S17  x40	G21 4x16  x4	O2  x4	M12  x4	M13  x4
M2  x36	M9  x3	G1 6.3x13  x36	N6 M6x50  x6	M1a  x6
M11  x2	M7  x2	M4  x2		

G21



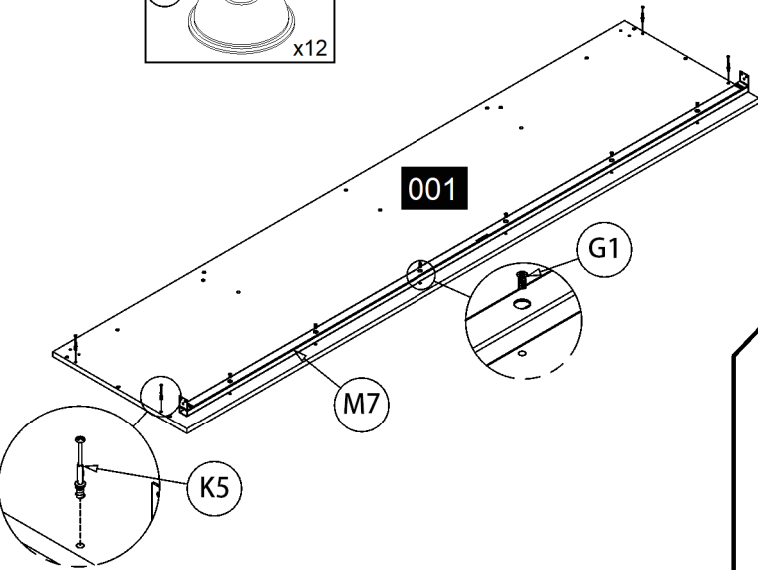
01

B7 $\varnothing 8 \times 30$ x12	M11	K1 $\varnothing 15 \times 12$ x4	G1 6.3x13 x26
M1a			



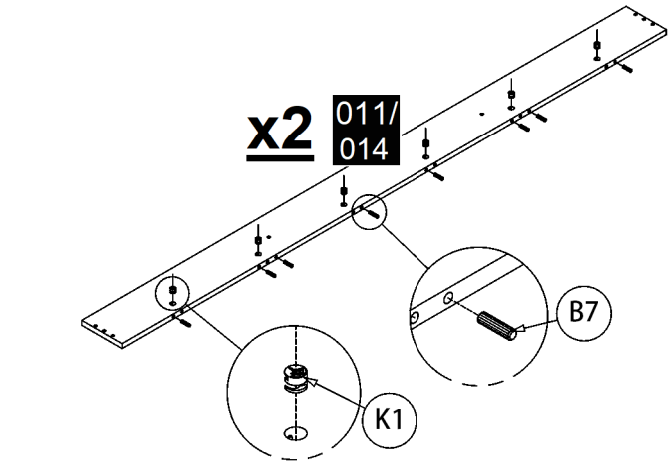
02

K5	M7
G1 6.3x13 x4	G4 4x16 x12
P20 x6	
P20 x12	



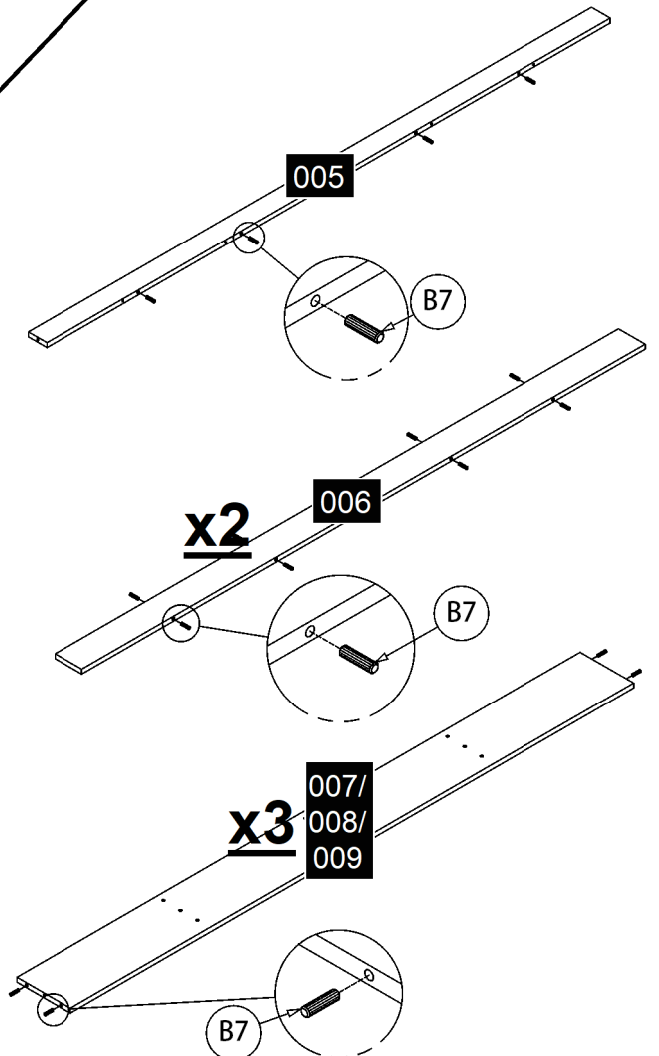
03

B7 $\varnothing 8 \times 30$ x16	K1 $\varnothing 15 \times 12$ x12
-------------------------------------	--------------------------------------

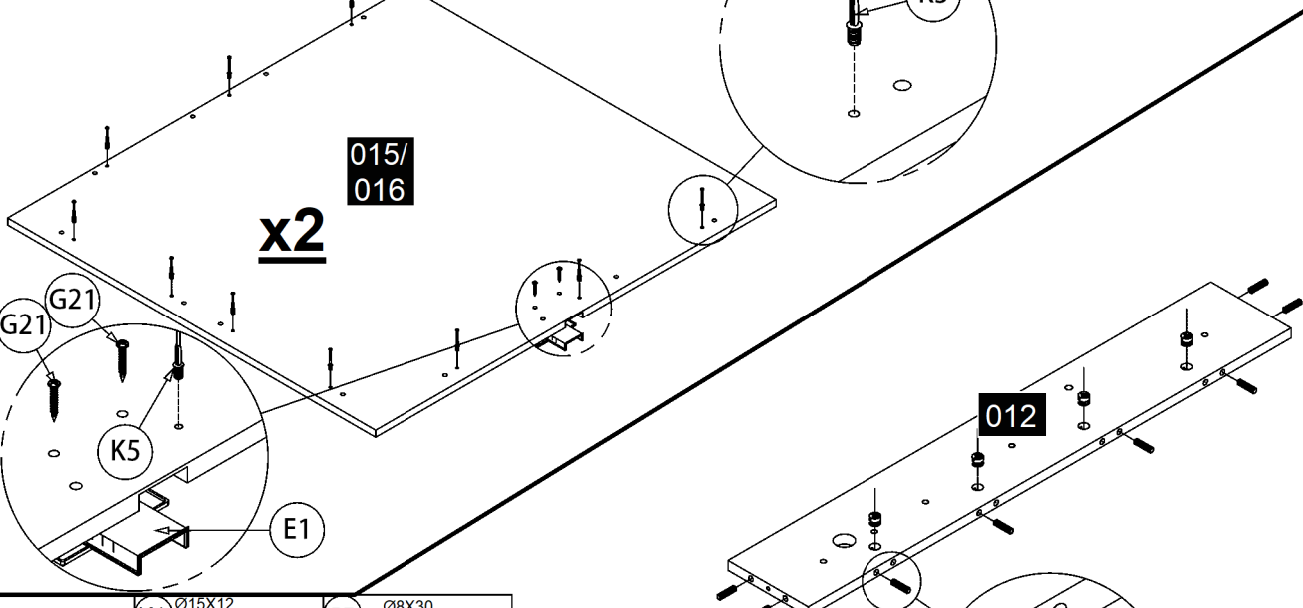
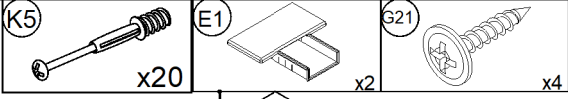


B7 $\varnothing 8 \times 30$ x32

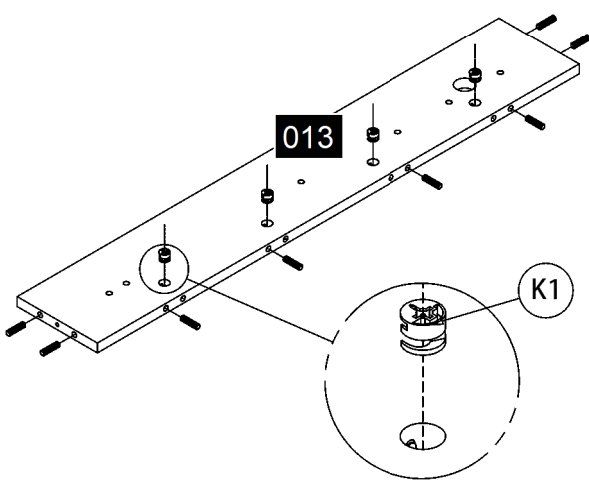
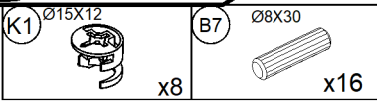
04



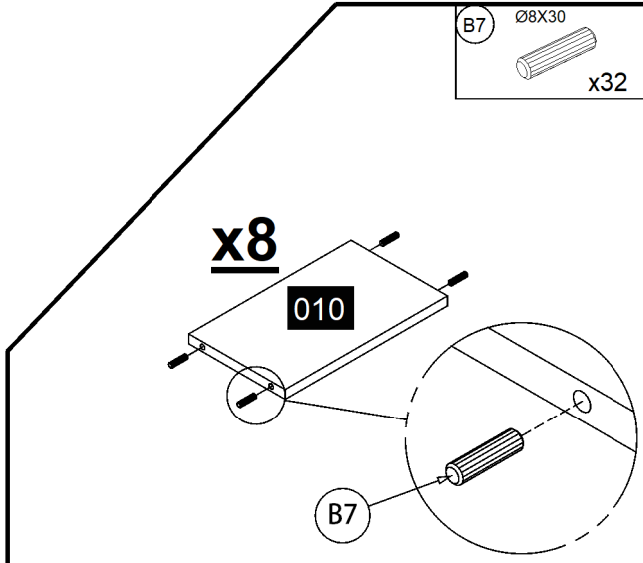
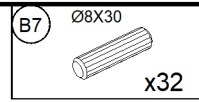
05



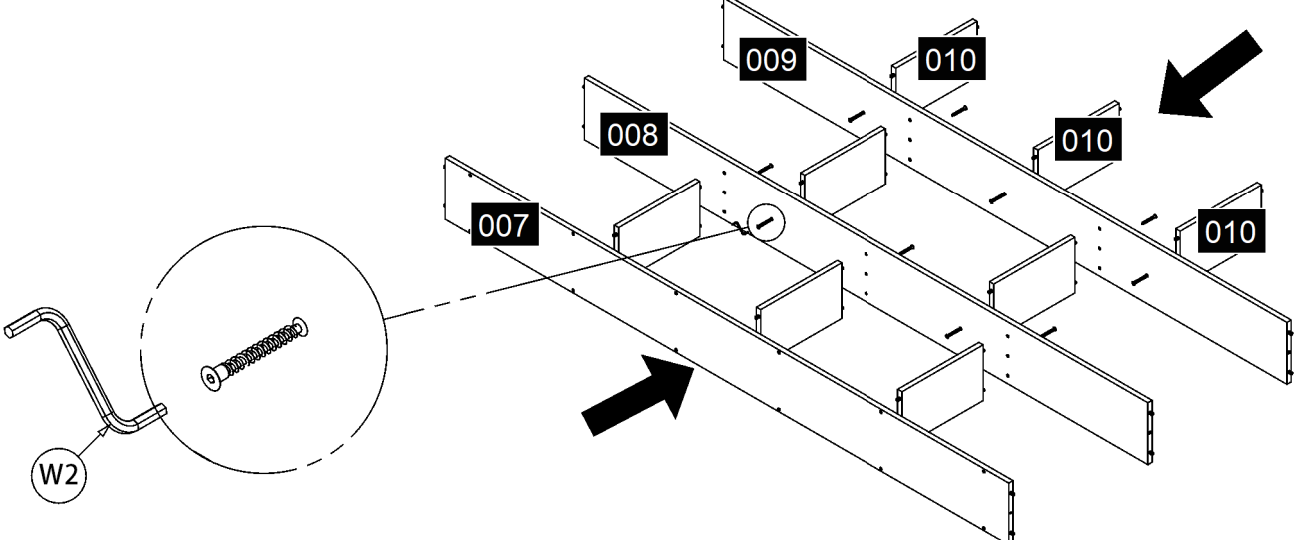
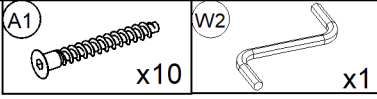
06



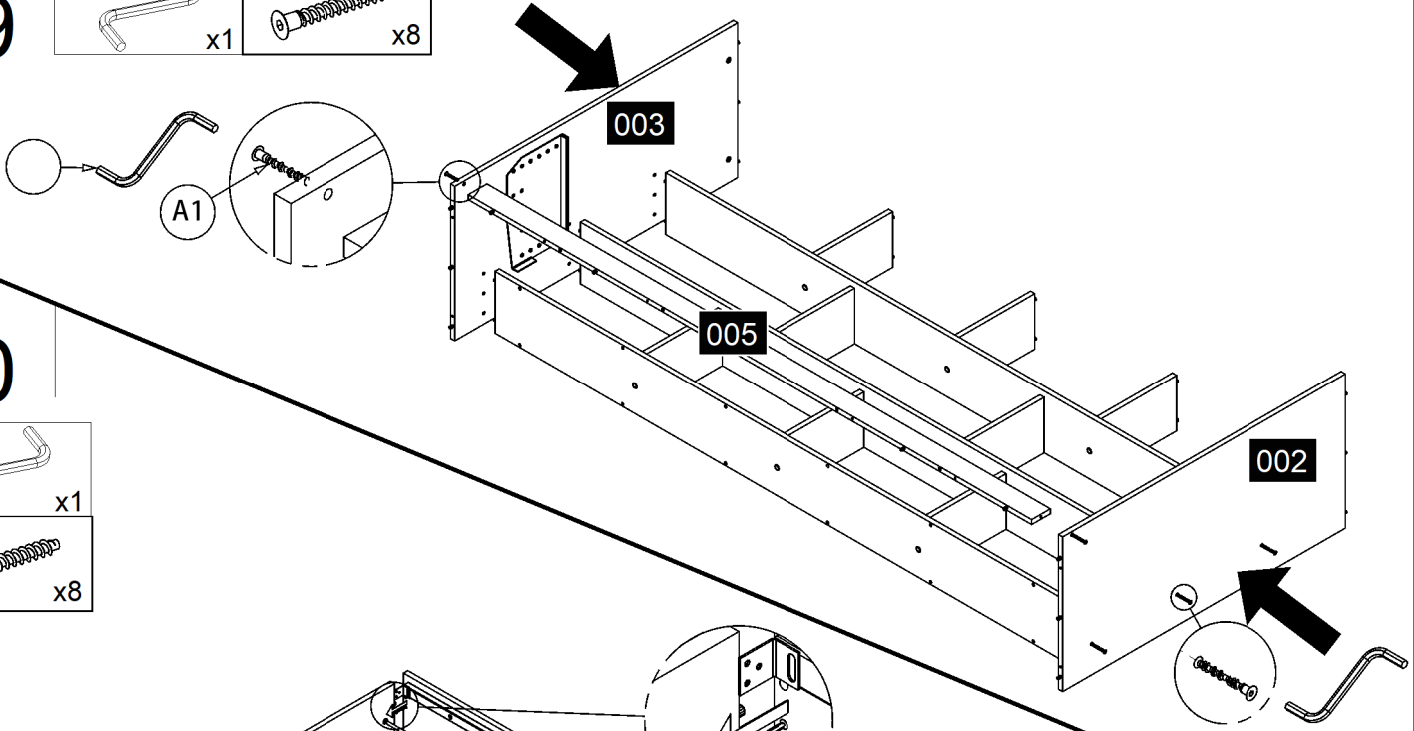
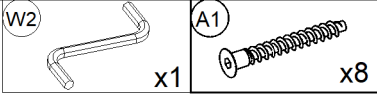
07



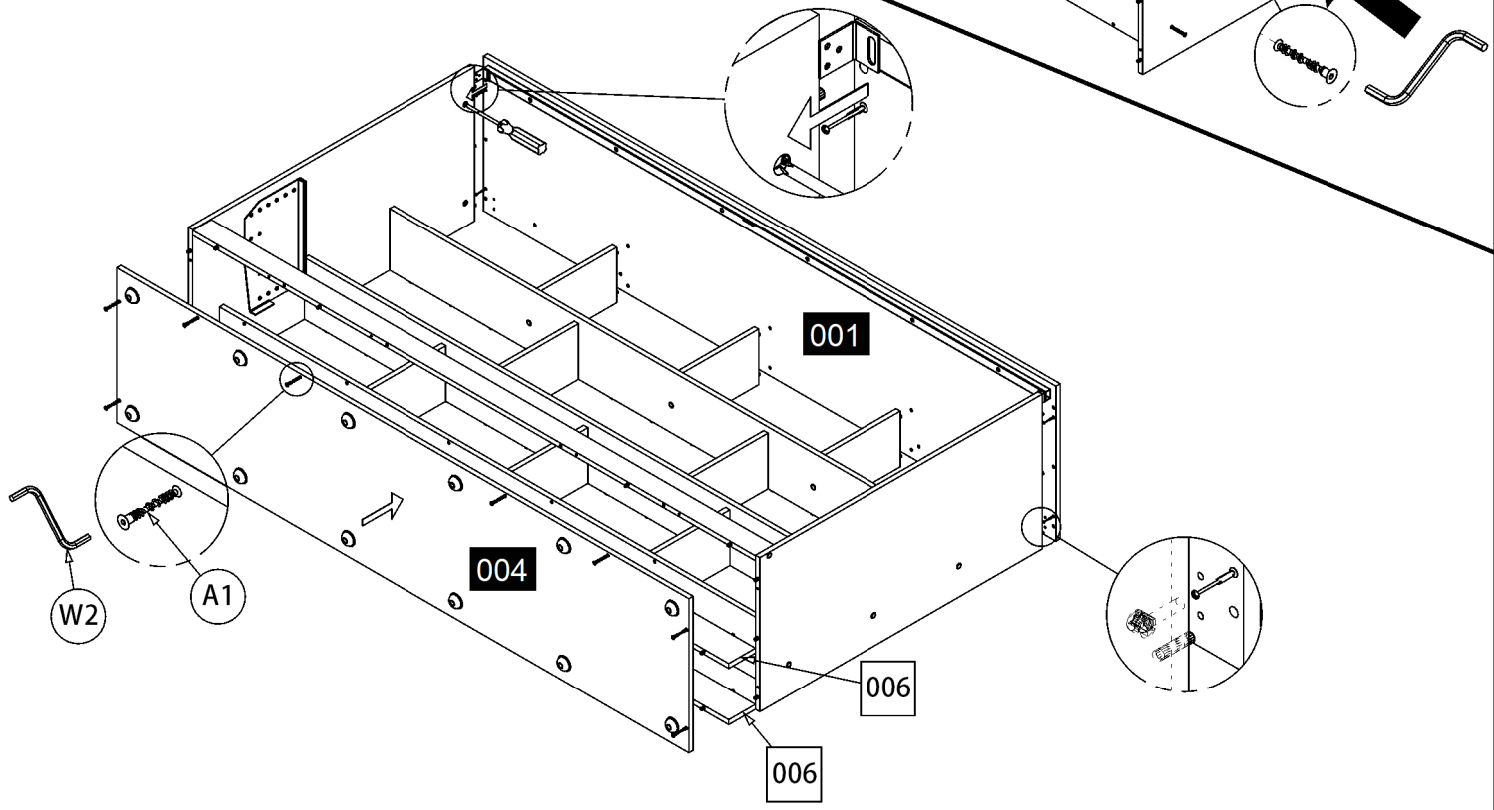
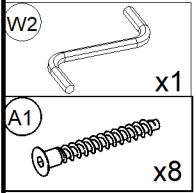
08



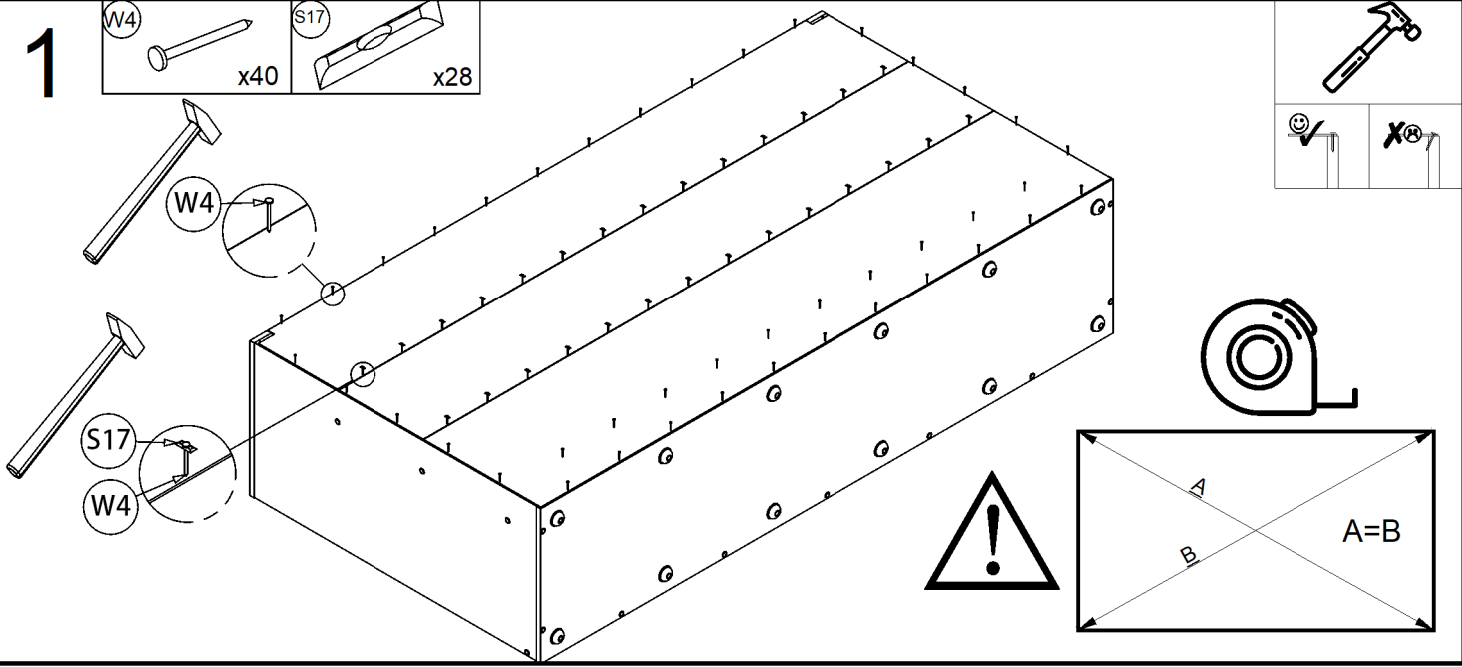
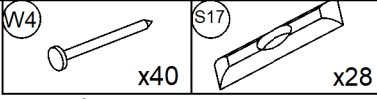
09



10

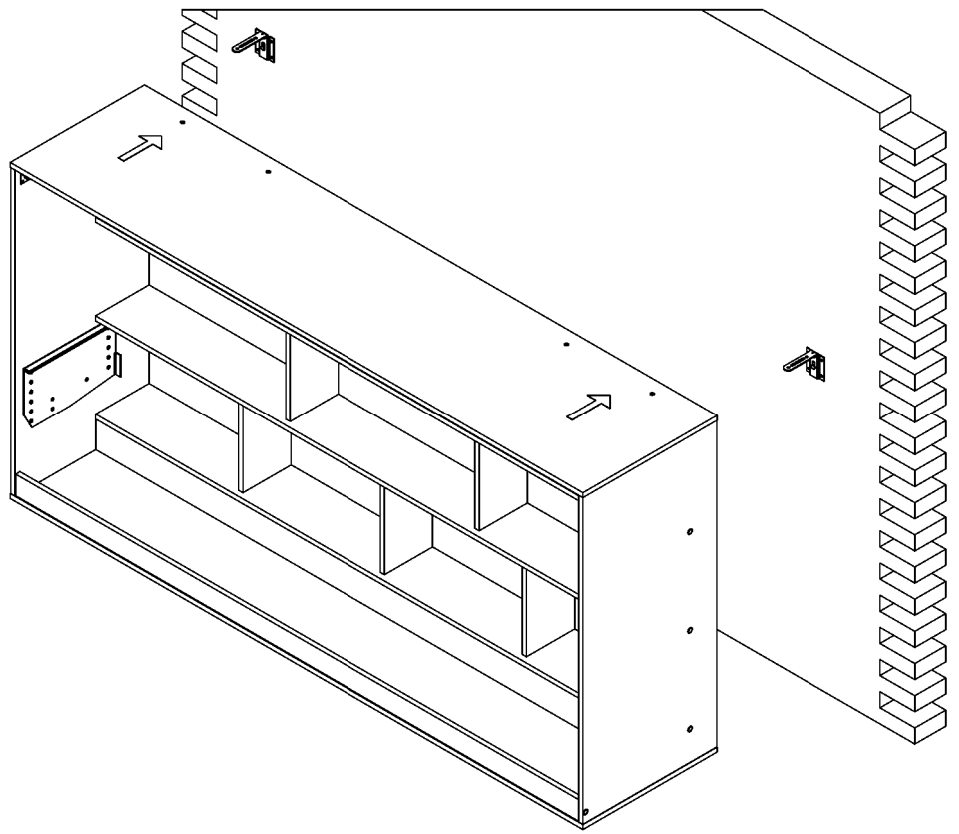
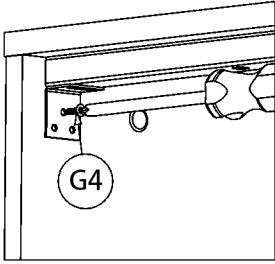
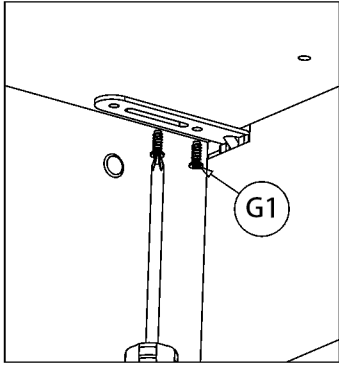


11

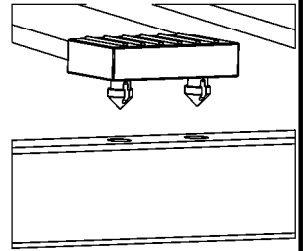
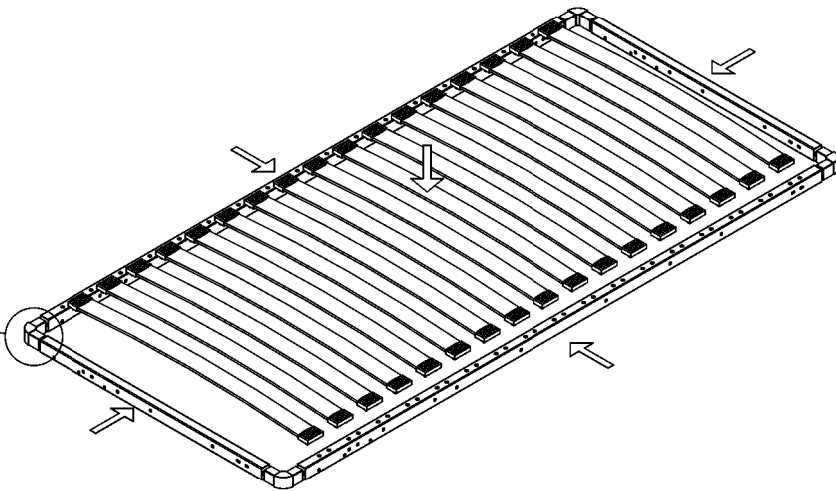
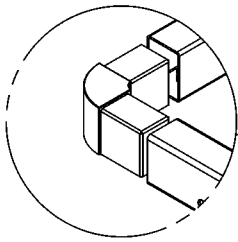


12

- G1 6.3x13 x4
- G4 4X16 x2

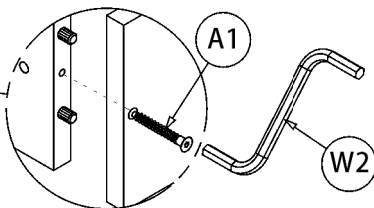
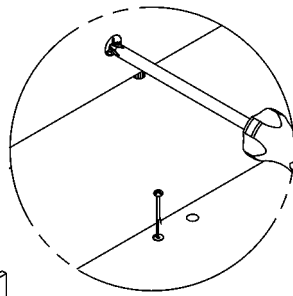
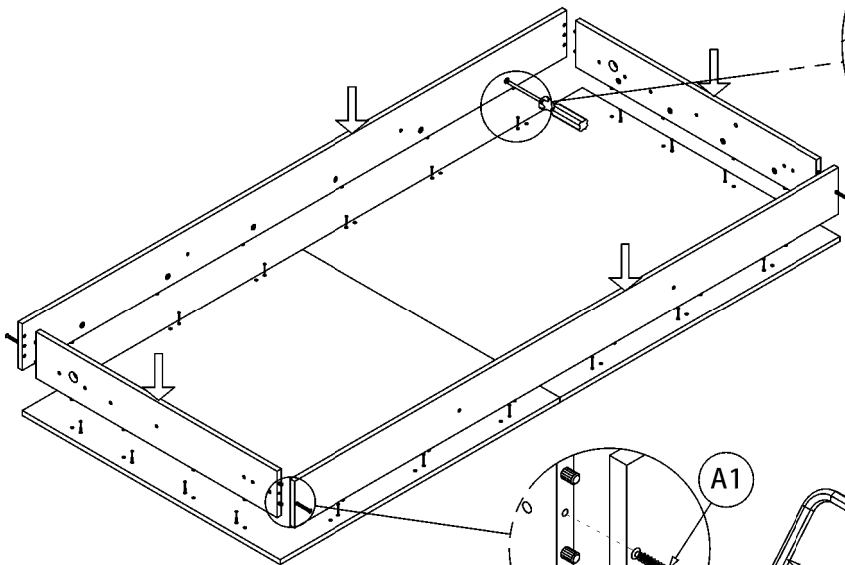


13

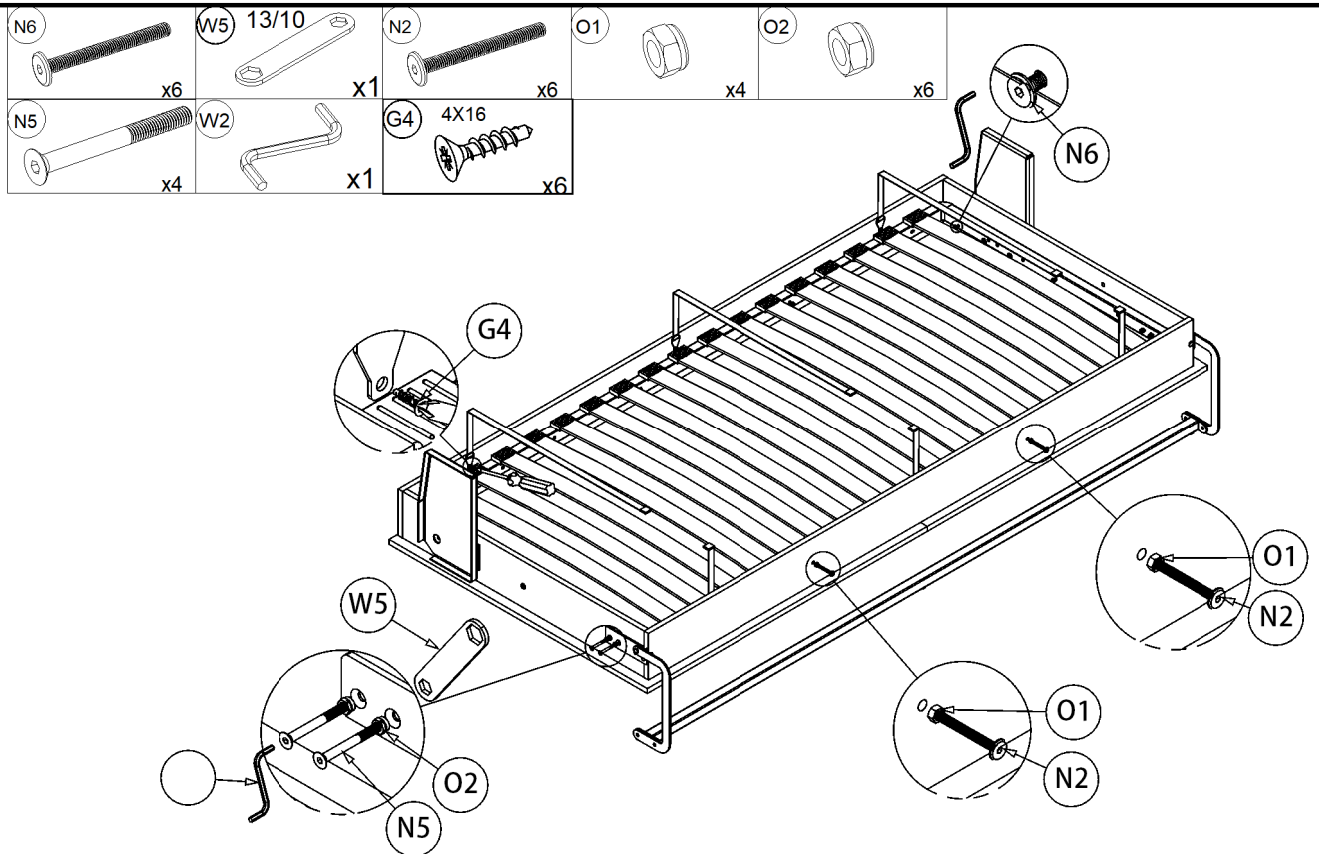


14

- A1 x4
- W2 x1



15



16

