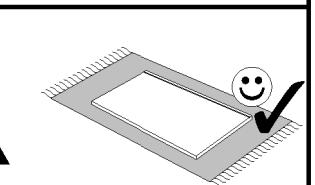
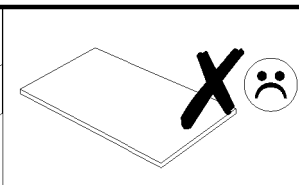
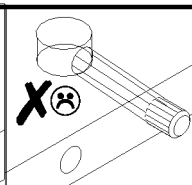
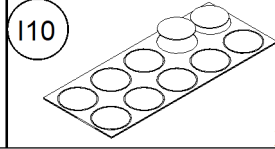
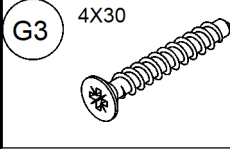
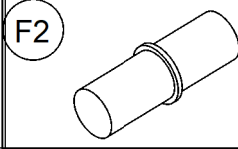
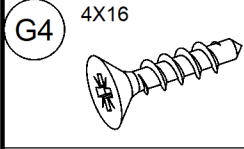
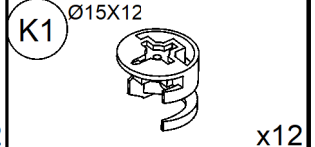
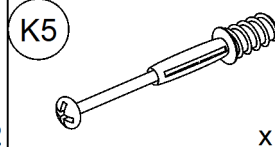
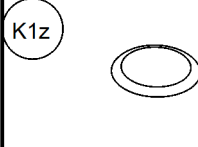
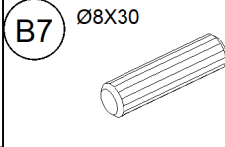
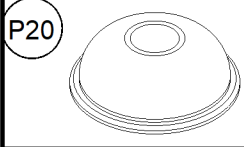
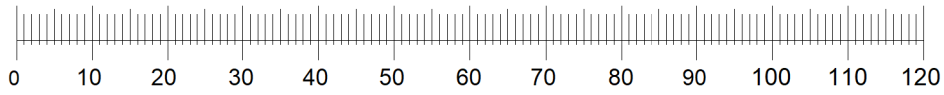
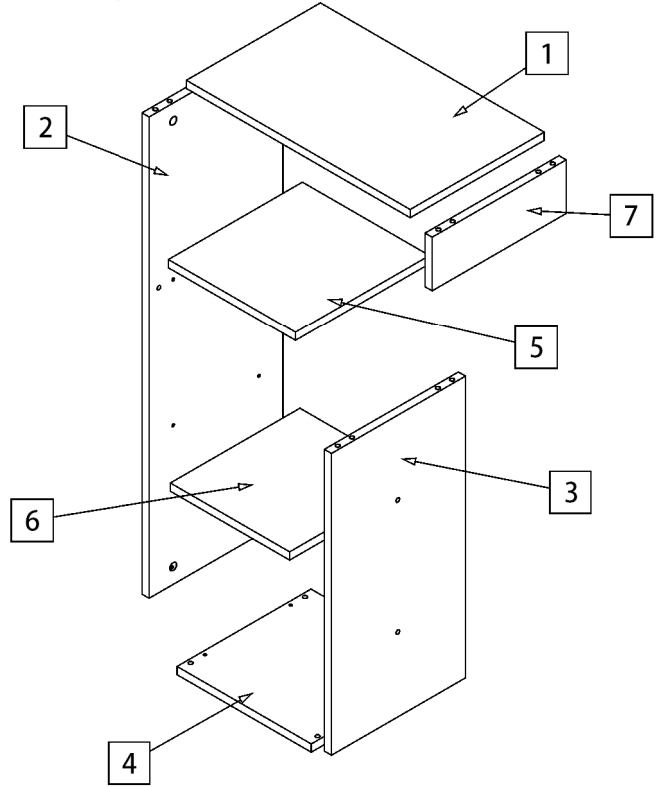
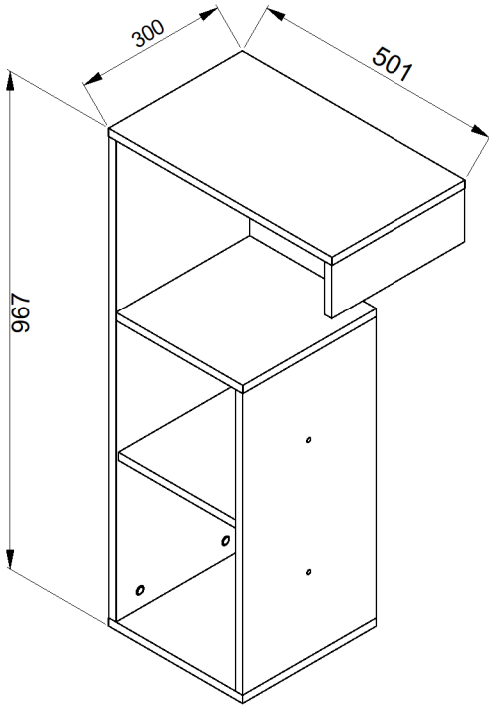


# INDEX 16

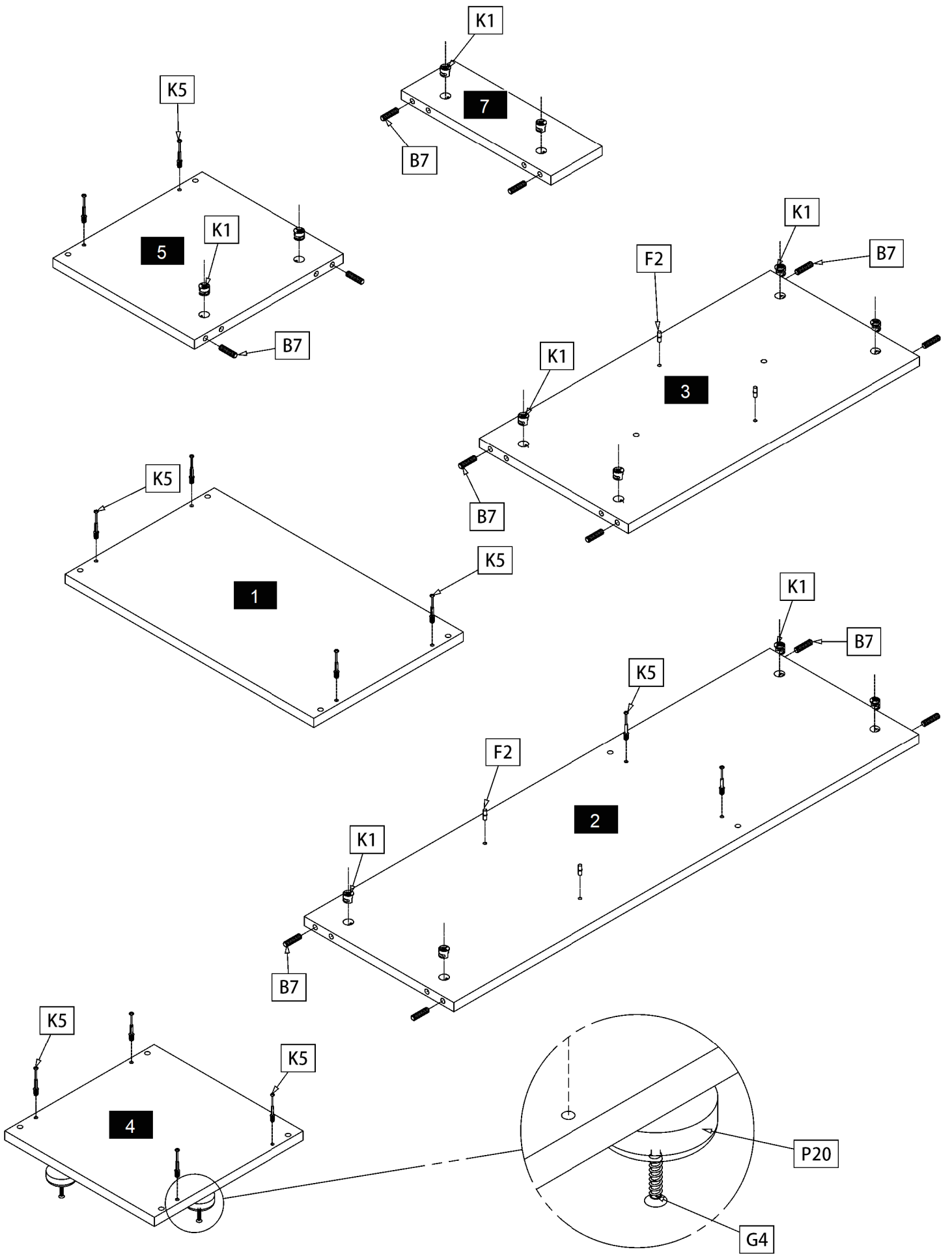


# DOST. KOM.

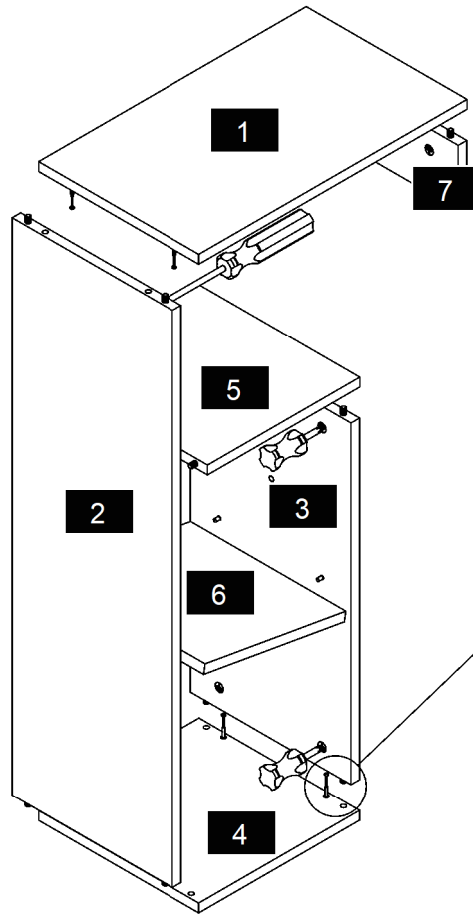
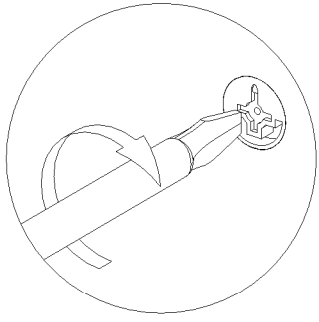


# 01

- (K5) x12
- (K1)  $\varnothing 15 \times 12$  x12
- (F2) x4
- (P20) x3
- (G4) 4X16 x3
- (B7)  $\varnothing 8 \times 30$  x12



02



03

