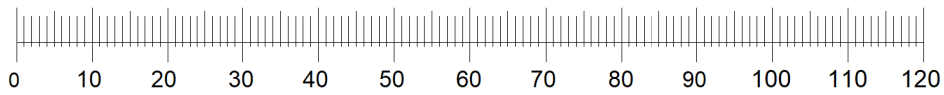
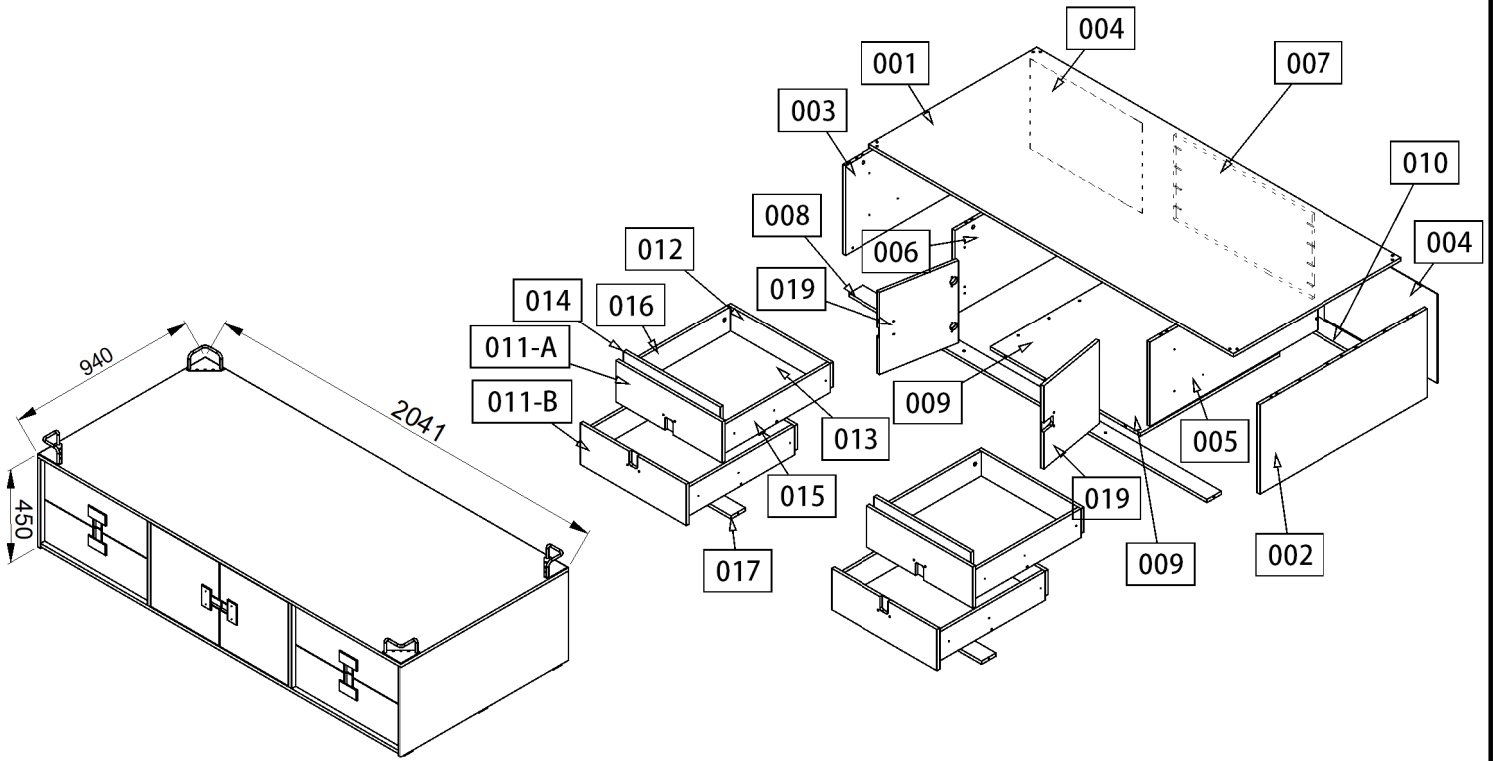


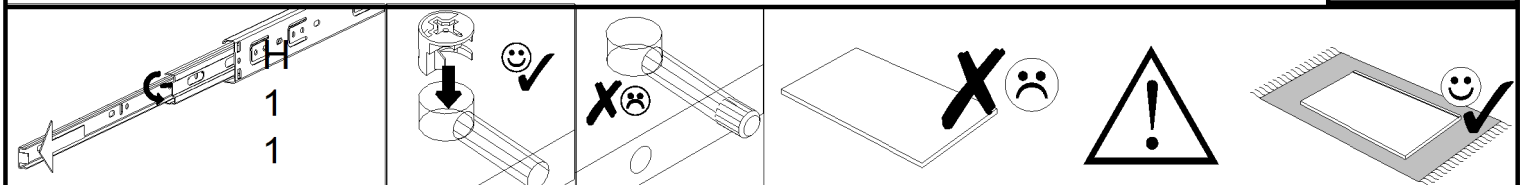
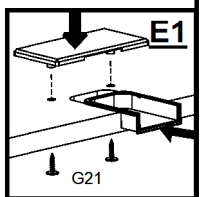
INDEX 15



ŁÓŻKO WYS.

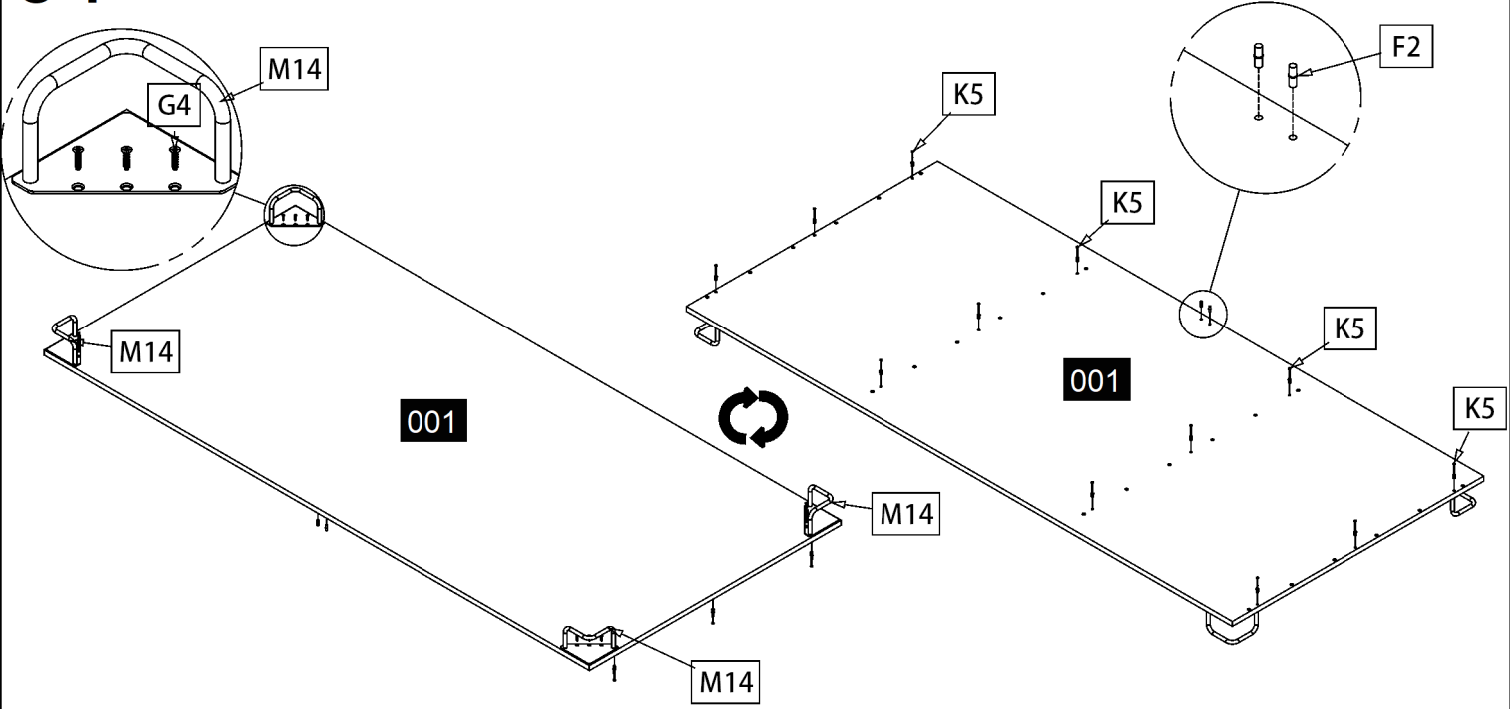


P3 x6	B7 Ø8X30 x64	K1z x32	K5 x32	K1 Ø15X12 x32
W2 x1	P20 x6	G4 4X16 x26	W4 x80	E1 x6
A1 x34	A1z x34	F2 x2	G21 4x16 x4	G8 4x30 x16
D1 x4	C2 x4	G20 5X13 x48	M14 x4	H12 x4



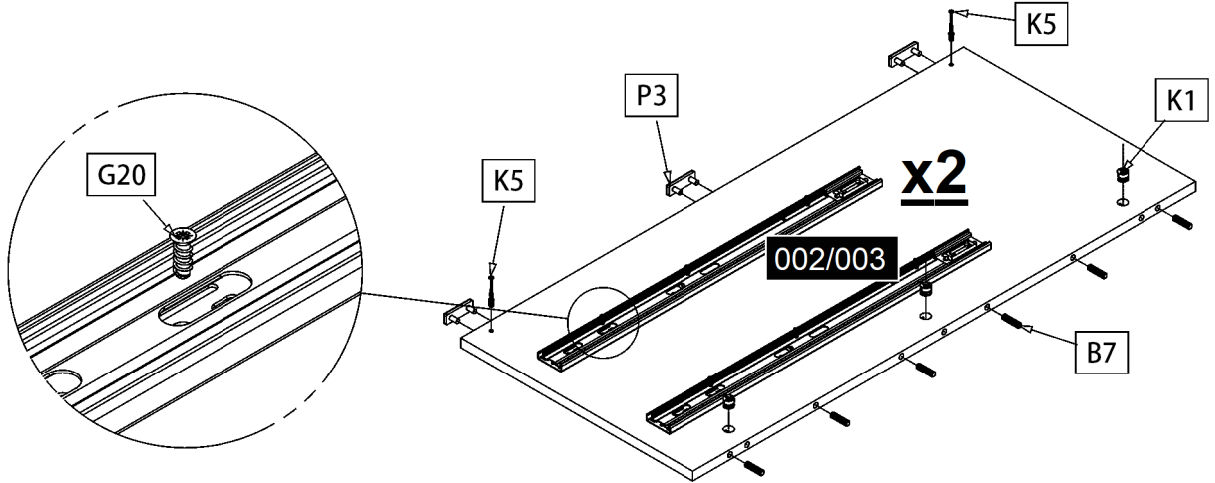
01

- K5 x12
- M14 x4
- G4 4X16 x12
- F2 x2



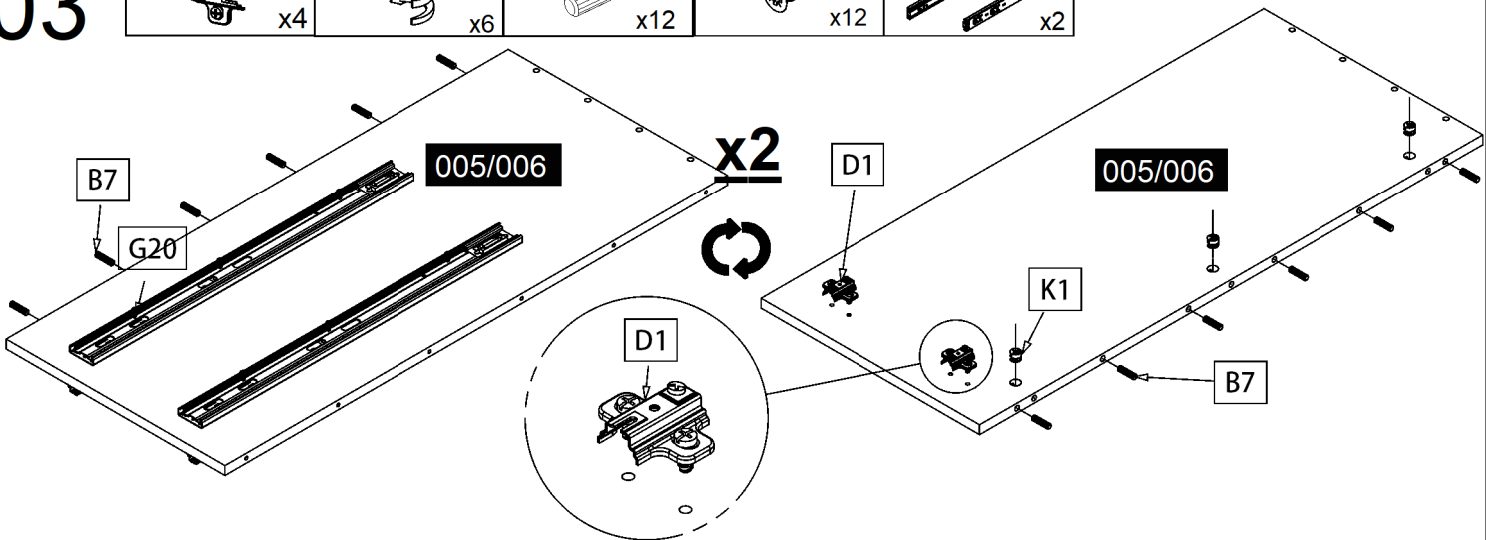
02

- K5 x4
- B7 Ø8X30 x12
- K1 Ø15X12 x6
- G20 5X13 x12
- H12 x2
- P3 x6

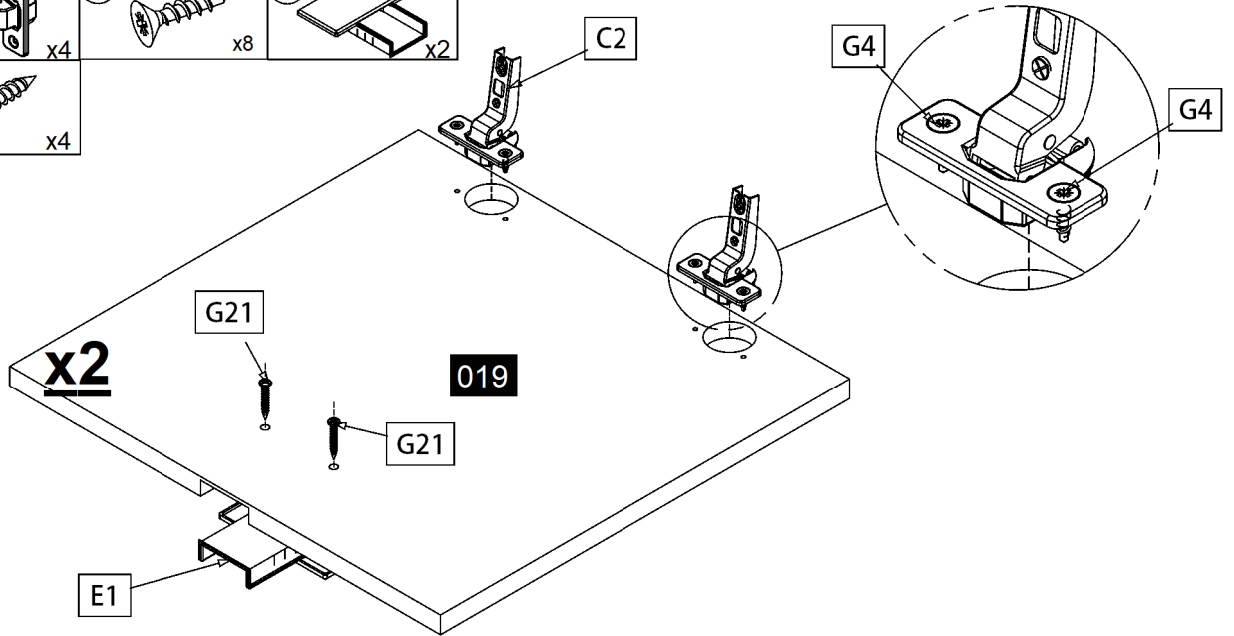
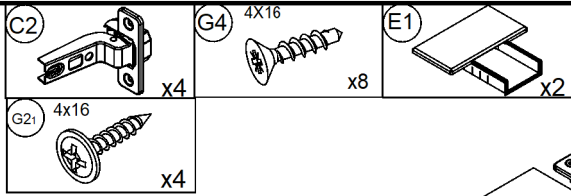


03

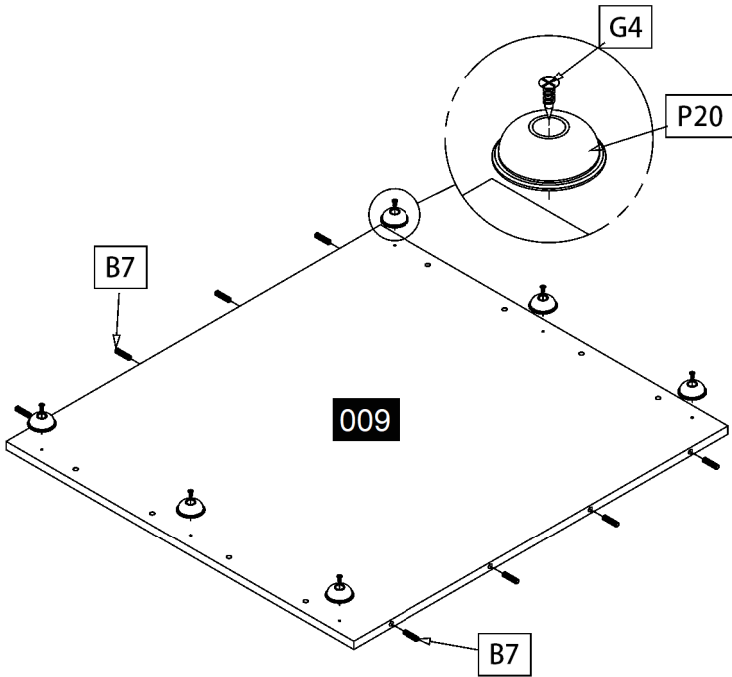
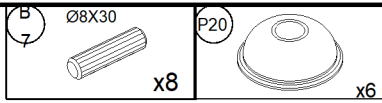
- D1 x4
- K1 Ø15X12 x6
- B7 Ø8X30 x12
- G20 5X13 x12
- H12 x2



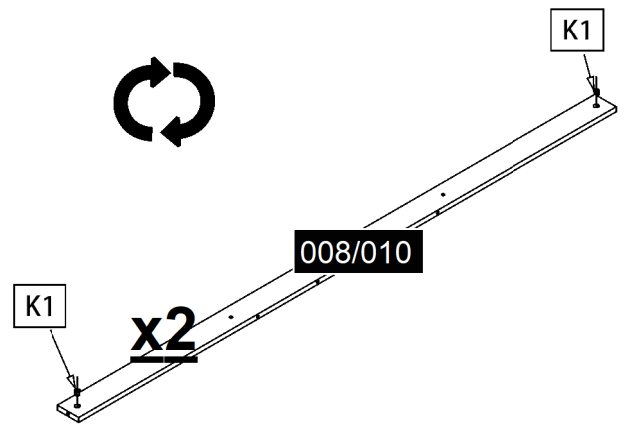
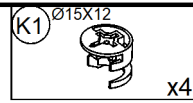
04



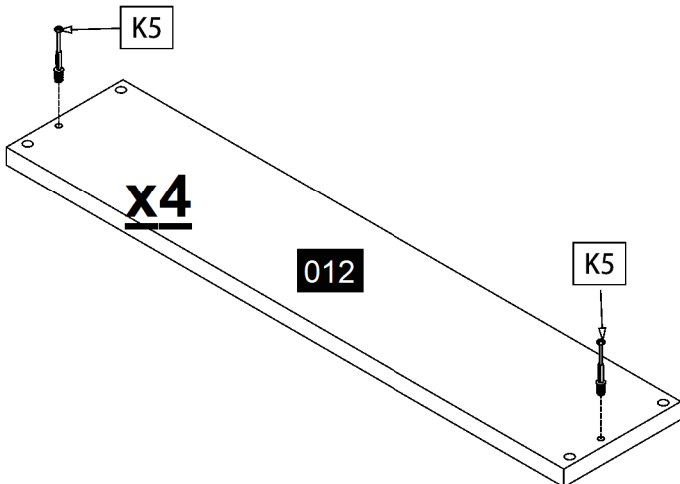
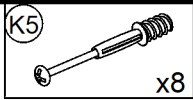
05



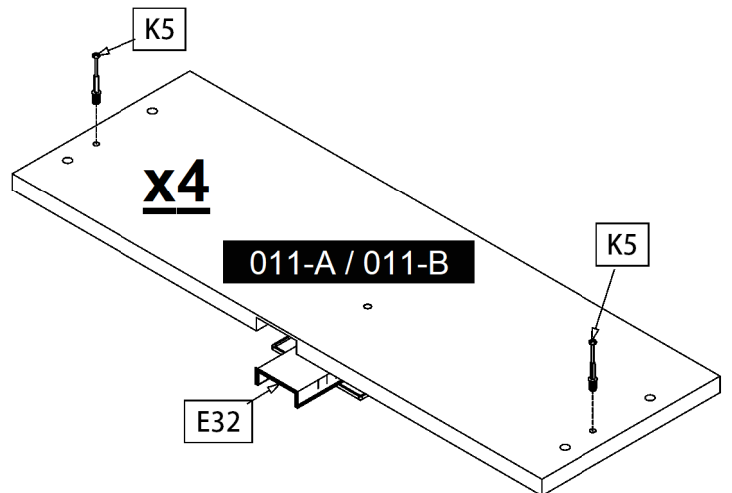
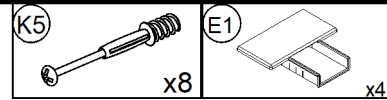
06



07

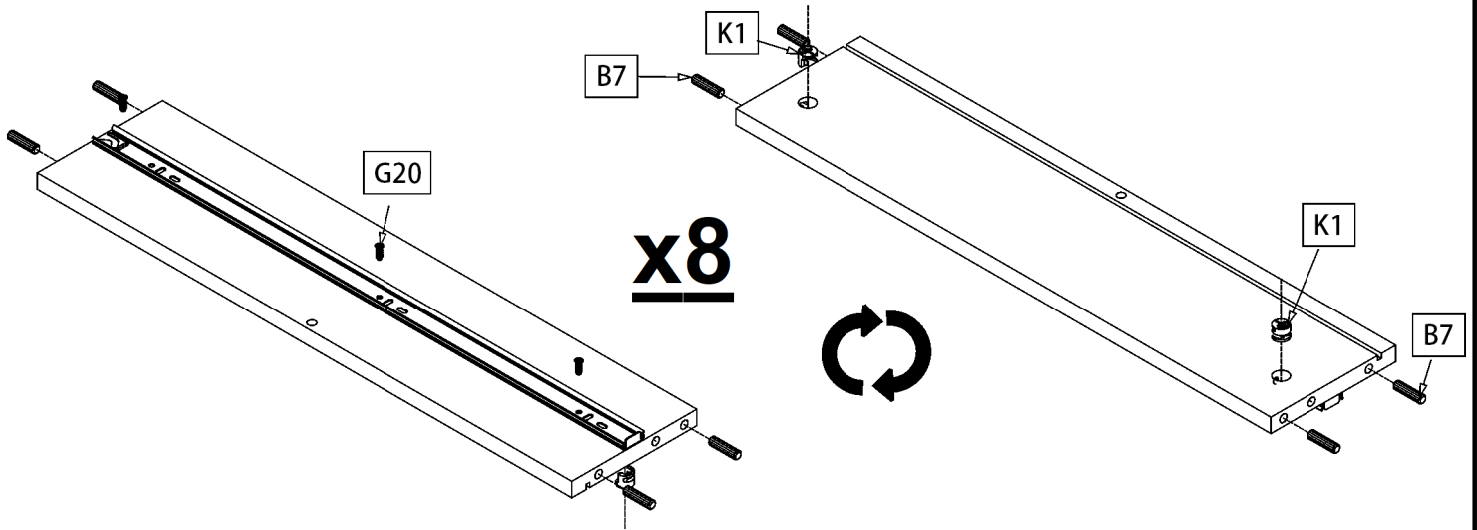


08



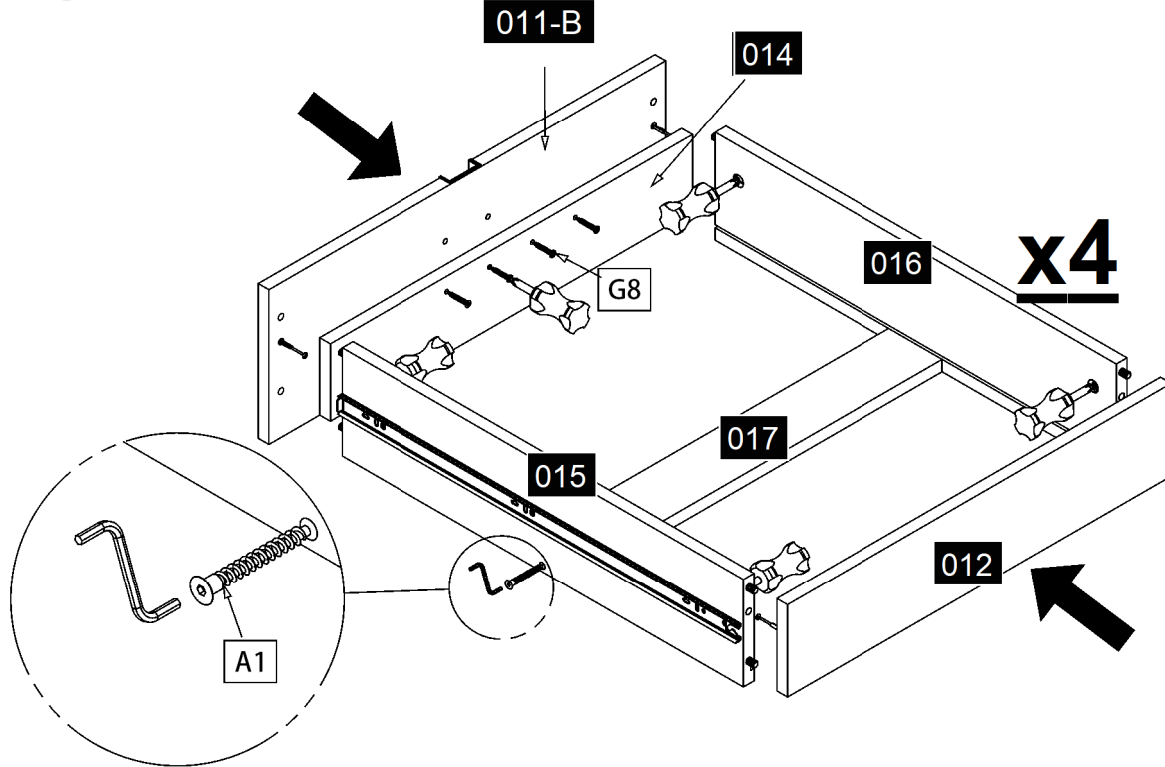
09

- B7 $\varnothing 8 \times 30$ x32
- K1 $\varnothing 15 \times 12$ x16
- H12 x8
- G20 5X13 x24



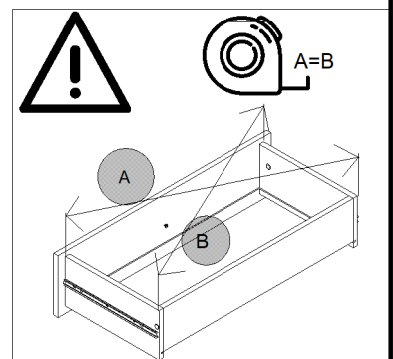
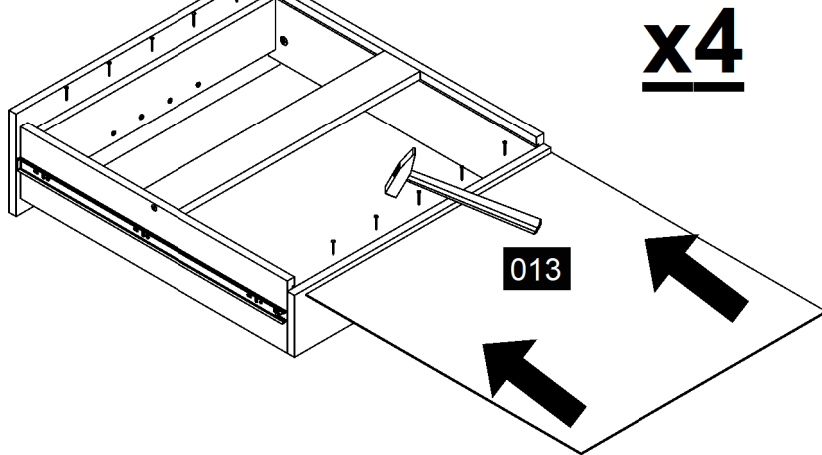
10

- G8 4x30 x16
- W2 x1
- A1 x8

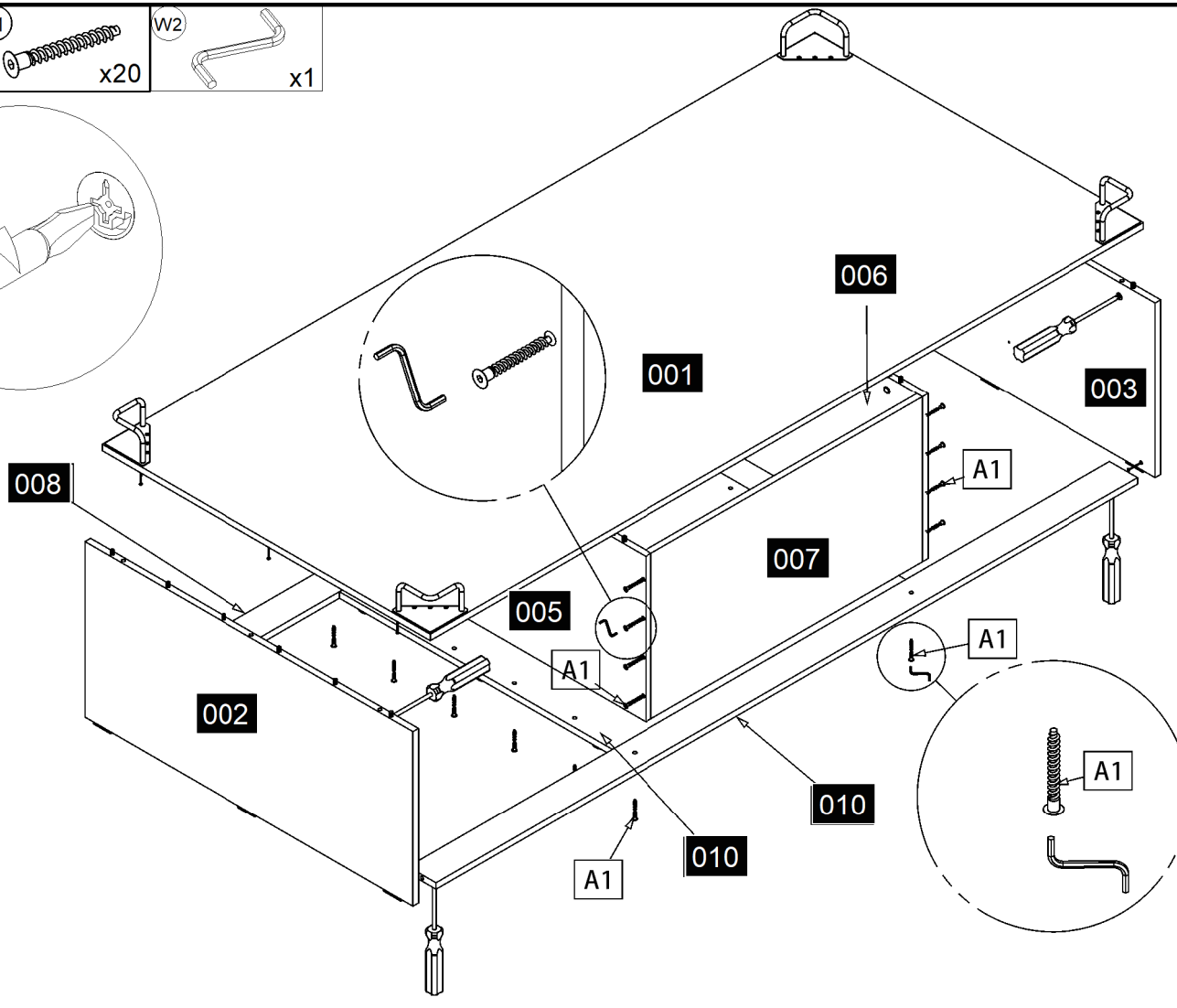
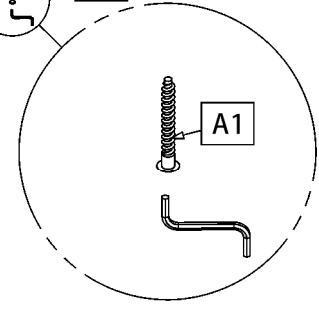
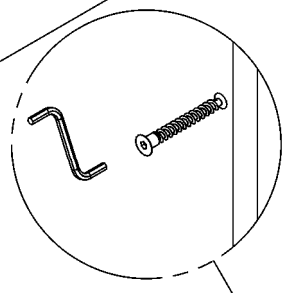
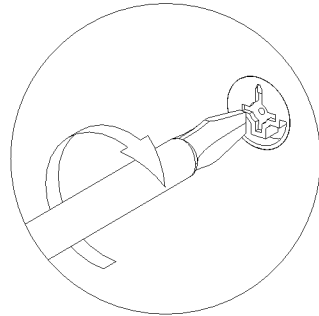
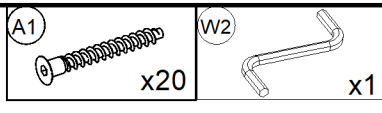


11

- W4 x40



12



13

