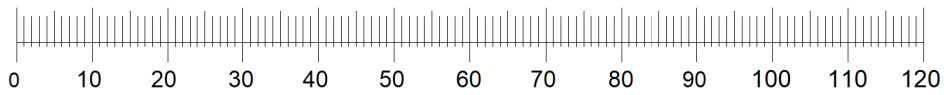
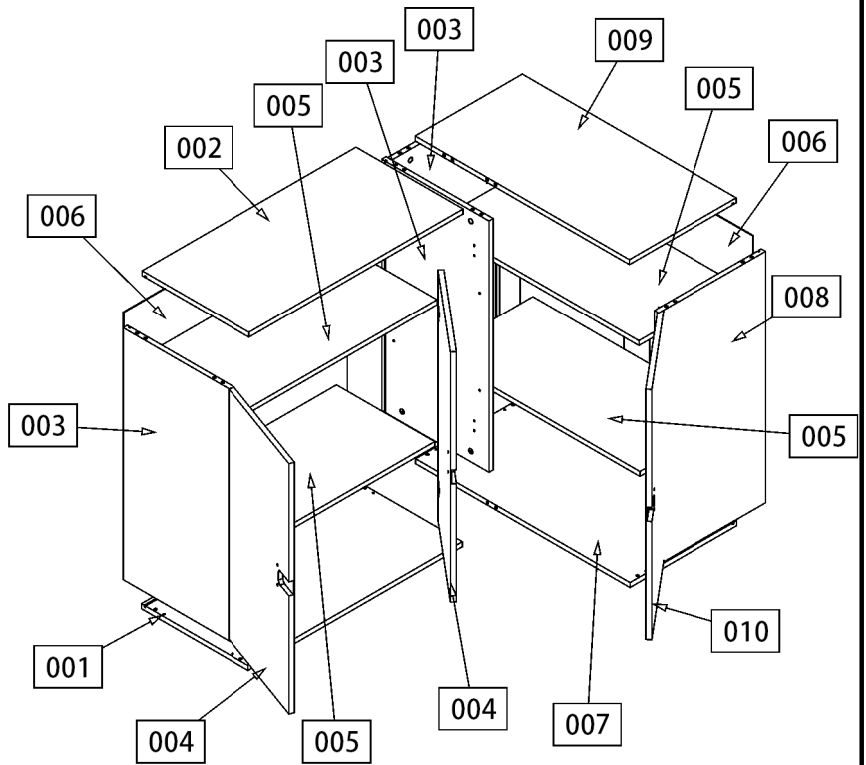
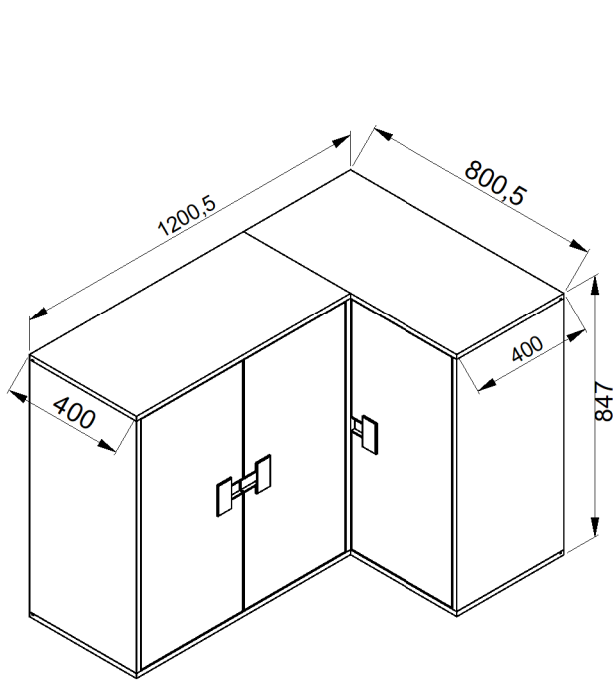
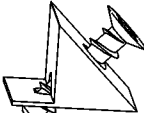
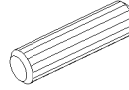
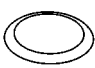
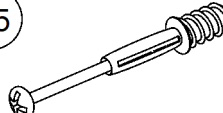
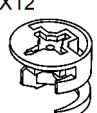
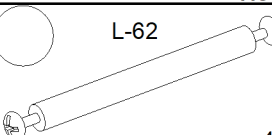
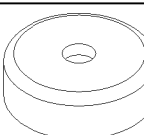
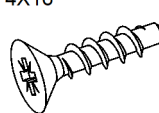
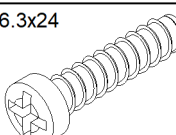
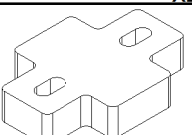

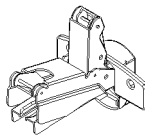
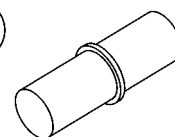
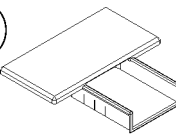
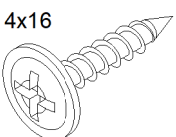
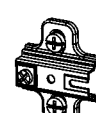
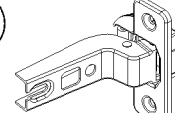
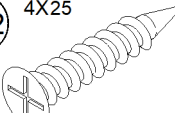


INDEX 09



KOMODA ROG.



I1  x32	B7 Ø8X30  x20	K1z  x24	K5  x16	K1 Ø15X12  x24
L-62  x4	P21  x8	G4 4X16  x12	G18 6.3X24  x4	I5  x2
S1  x2 L=815	C5  x2	F2  x16	E1  x3	G21 4x16  x6
D1  x6	C2  x4	G12 4X25  x8		

G21

