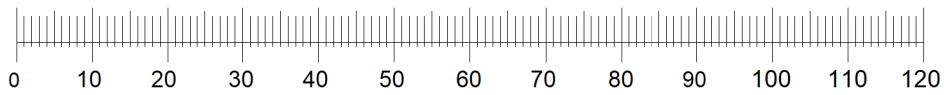
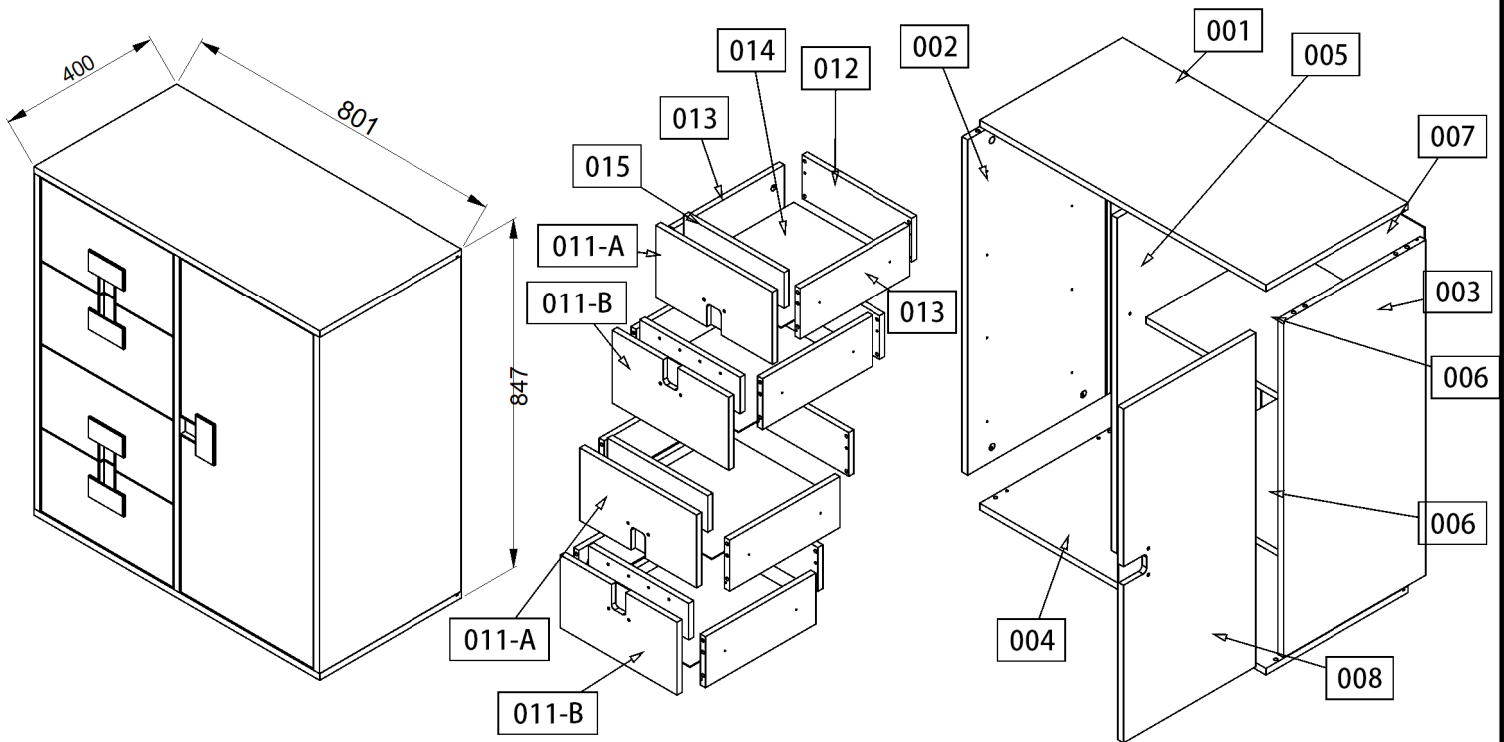
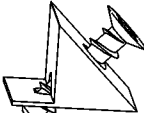
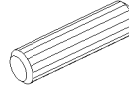
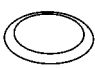
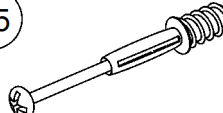
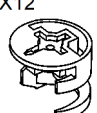
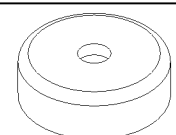
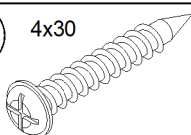
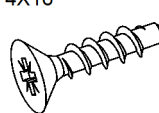
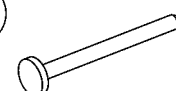
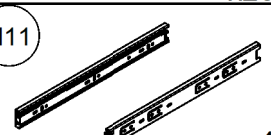
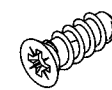
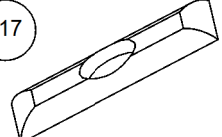
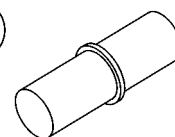
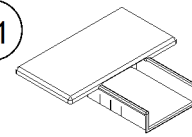
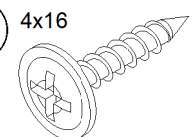
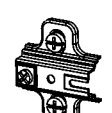
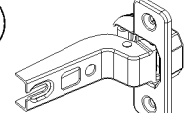
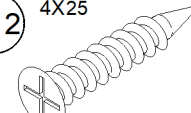


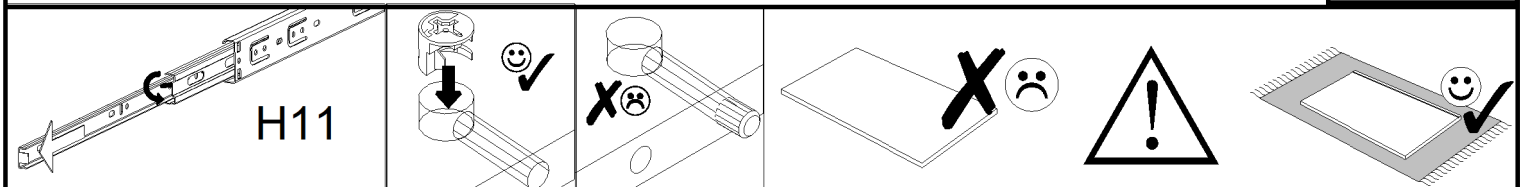
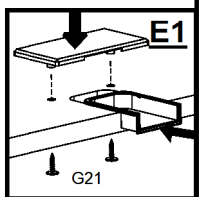
INDEX 07



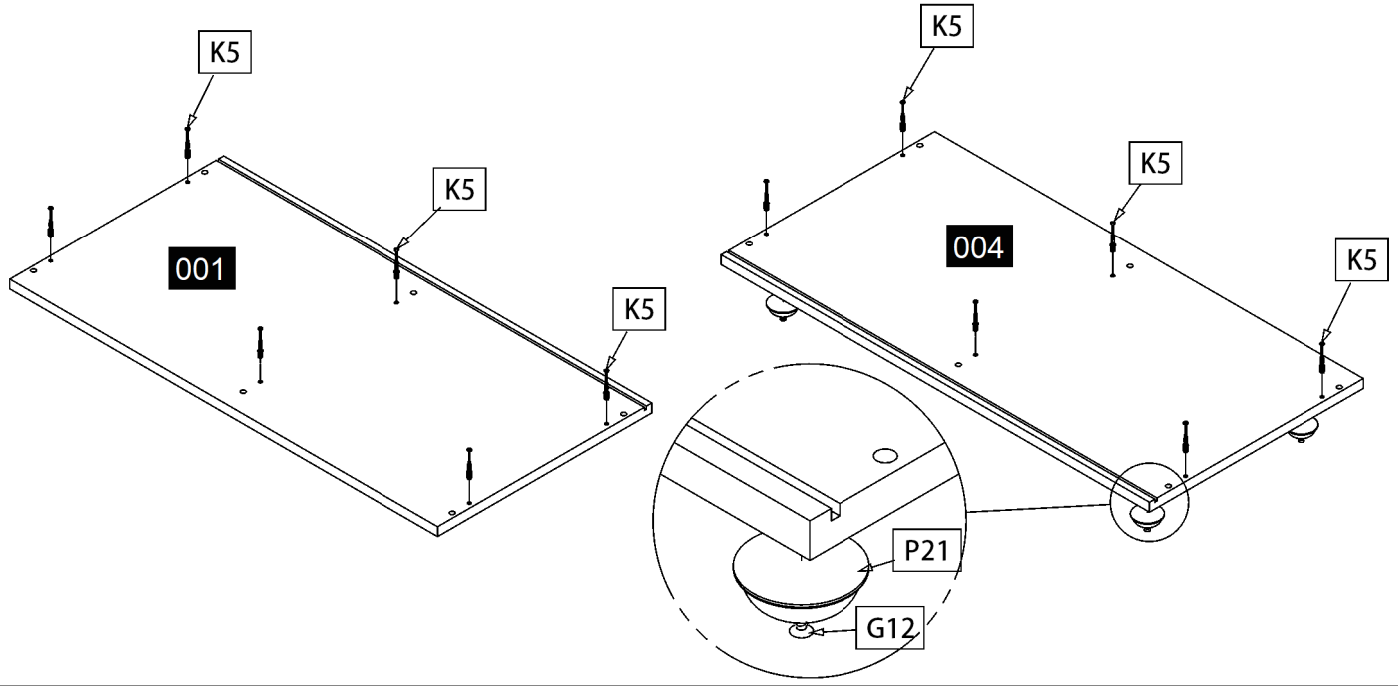
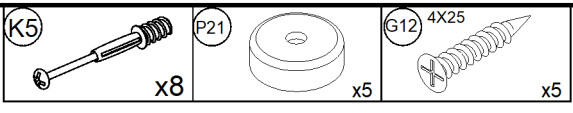
KOMODA 90



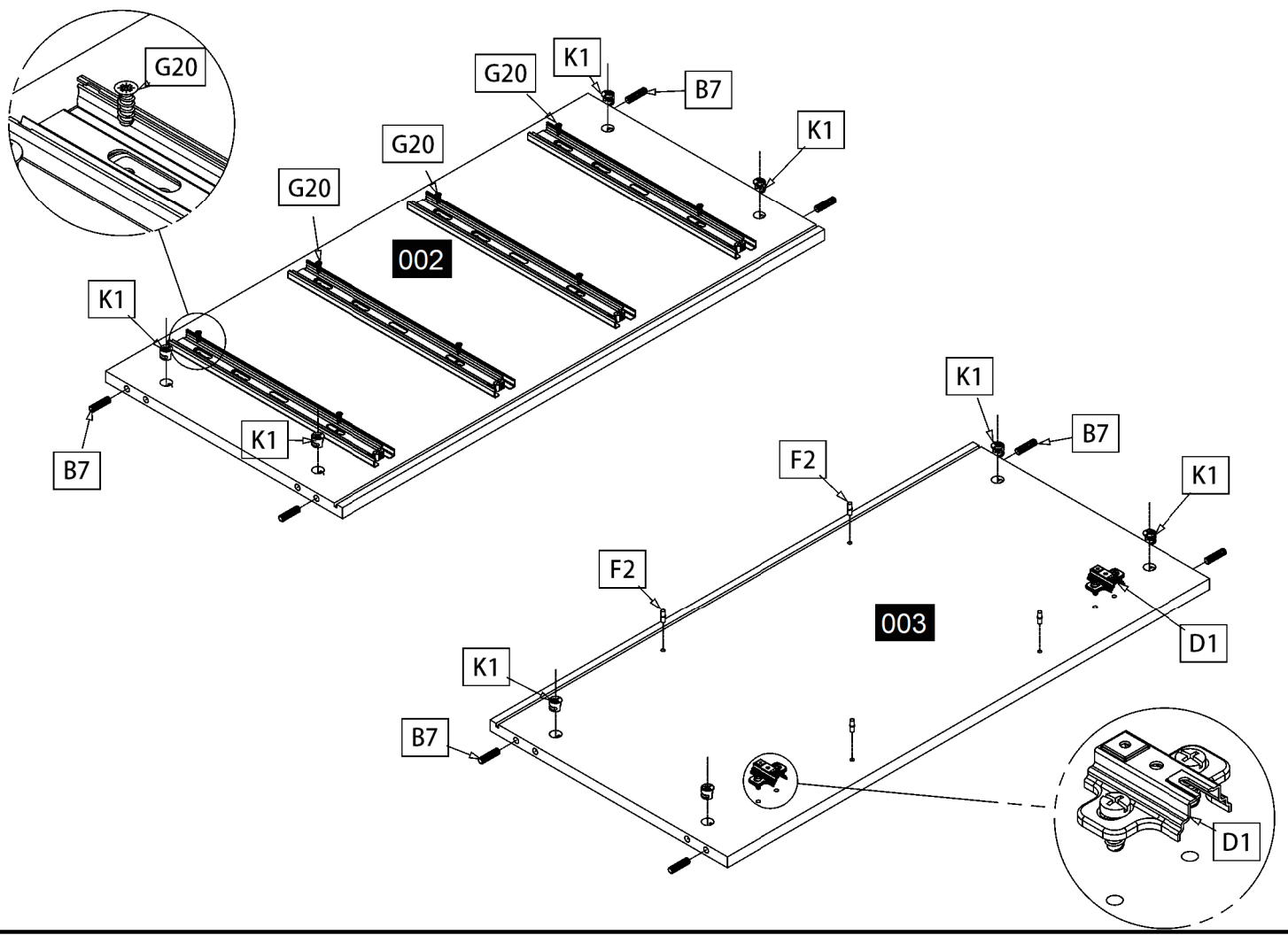
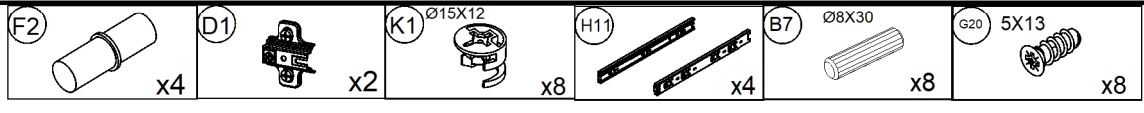
I1  x16	B7 Ø8X30  x44	K1z  x28	K5  x28	K1 Ø15X12  x28
P21  x5	G8 4x30  x8	G4 4X16  x4	W4  x37	H11  x4
G20 5X13  x32	S17  x5	F2  x8	E1  x5	G21 4x16  x2
D1  x2	C2  x2	G12 4X25  x13		



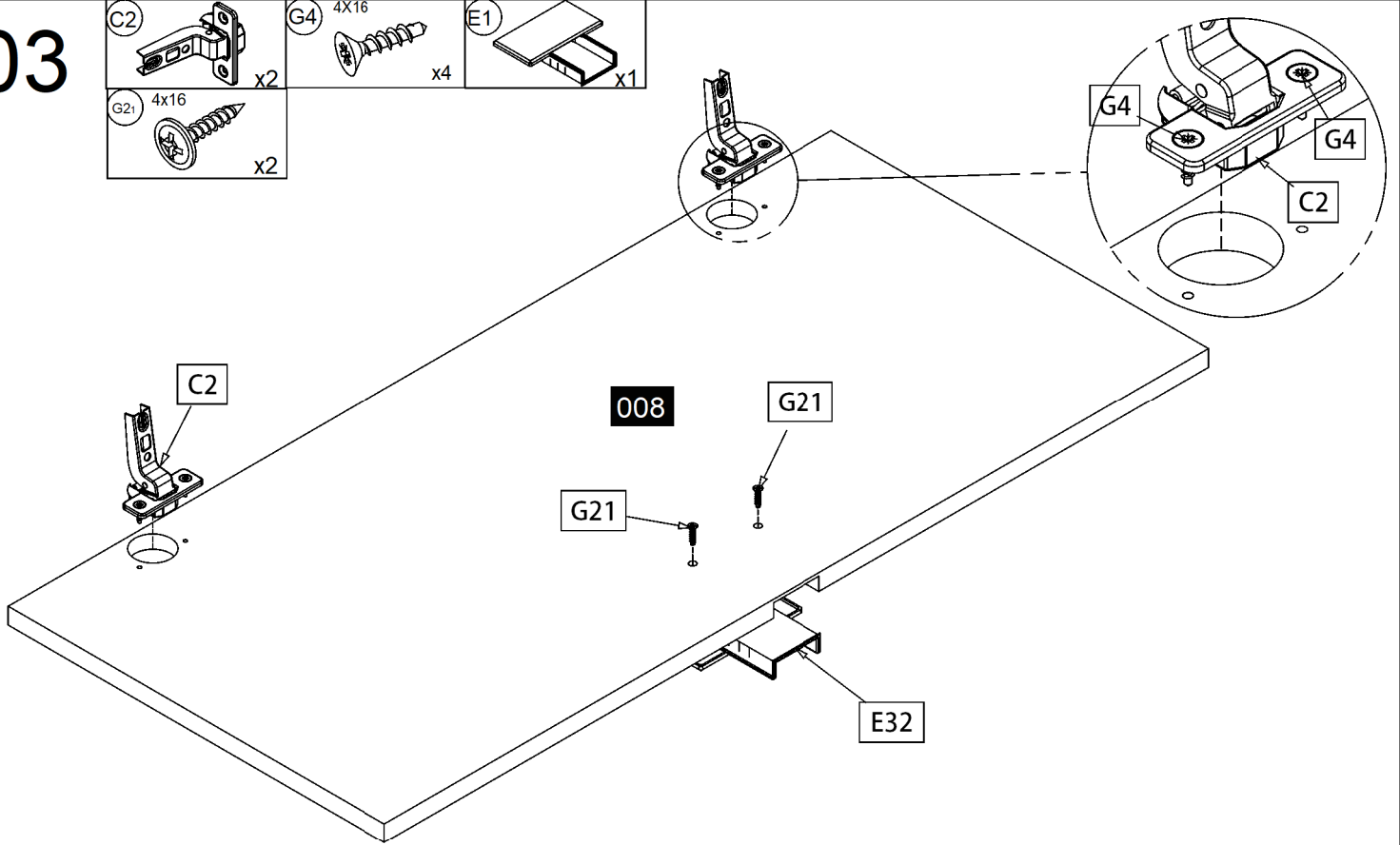
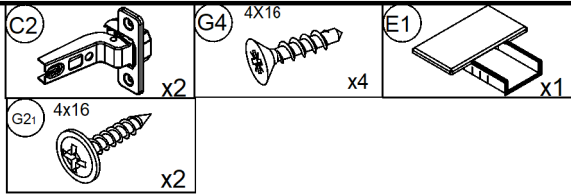
01



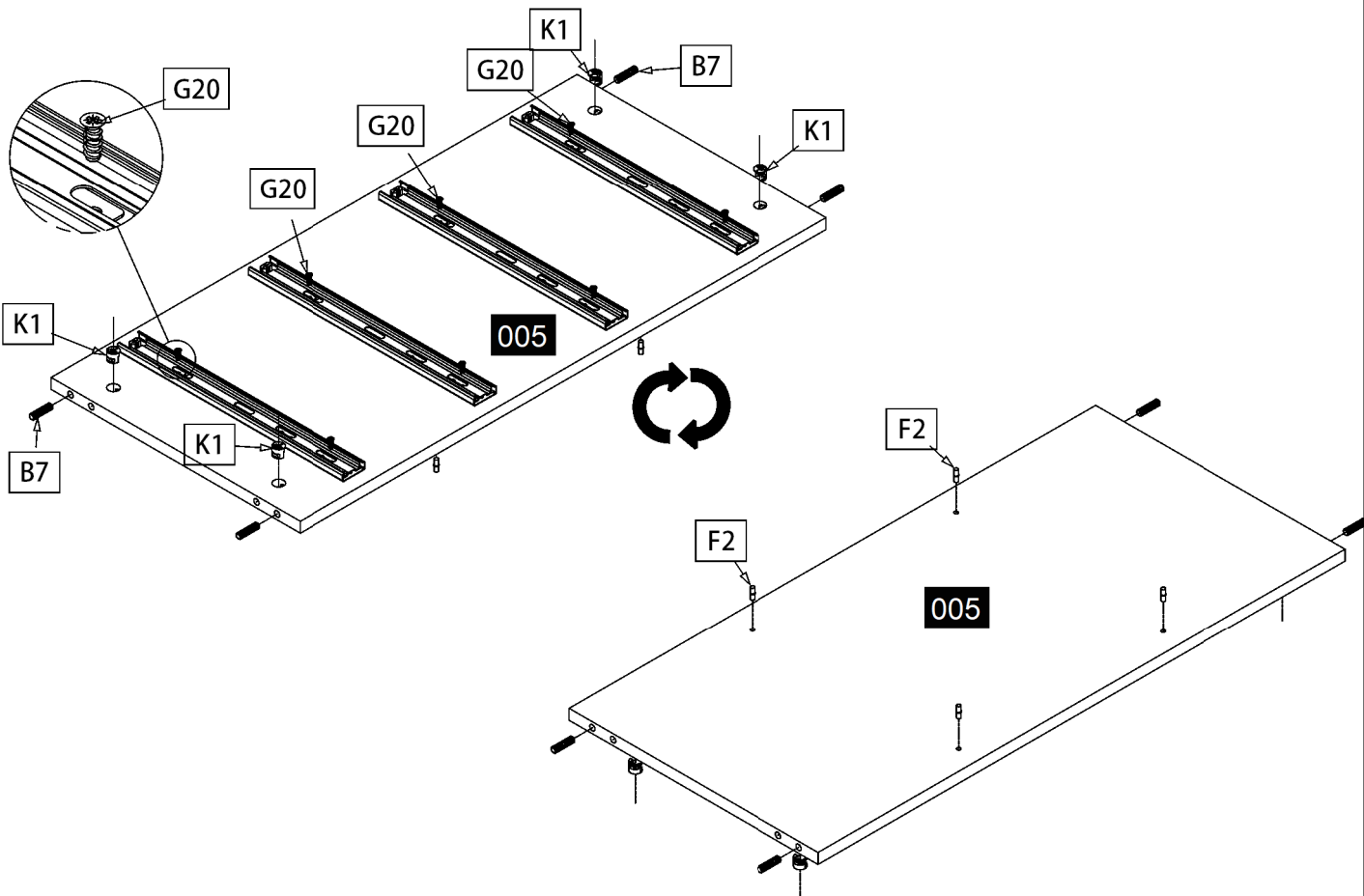
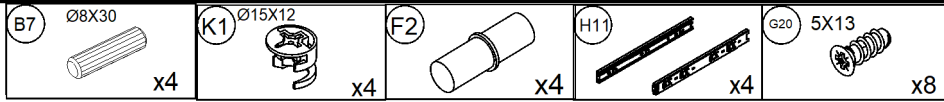
02



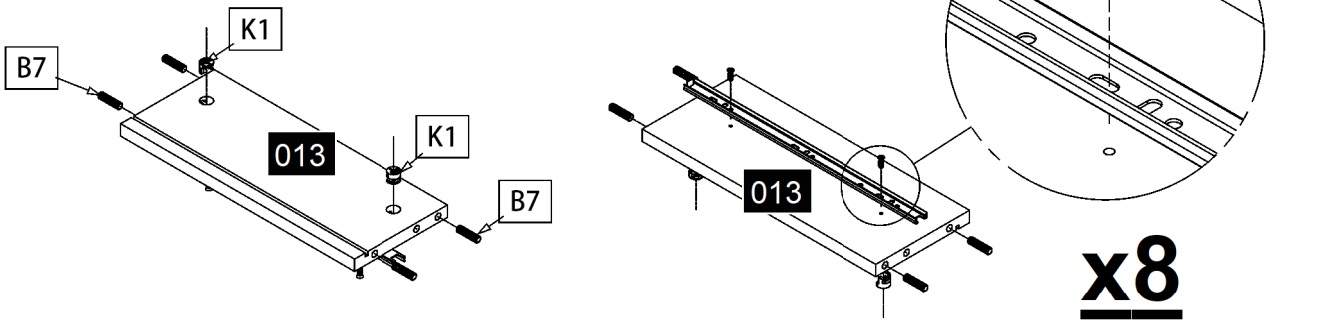
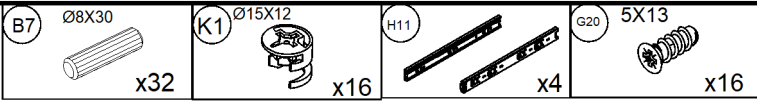
03



04

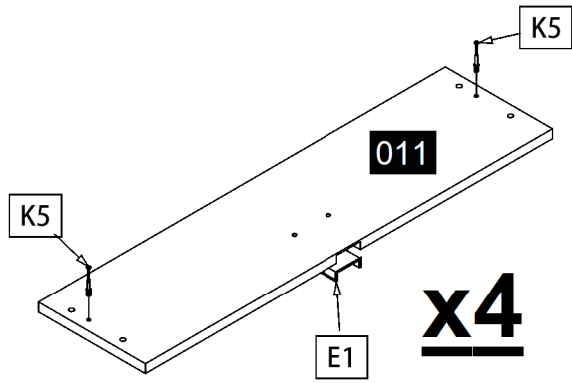
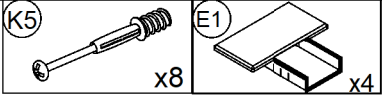


05



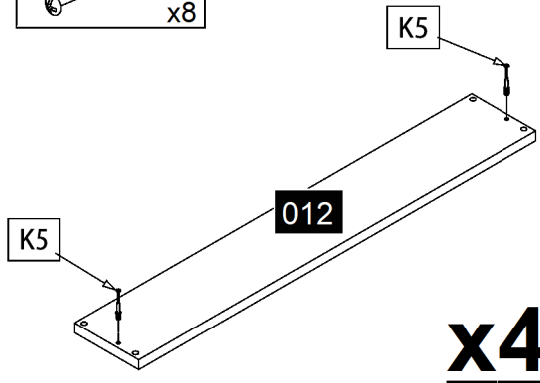
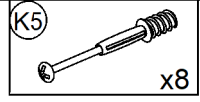
x8

06



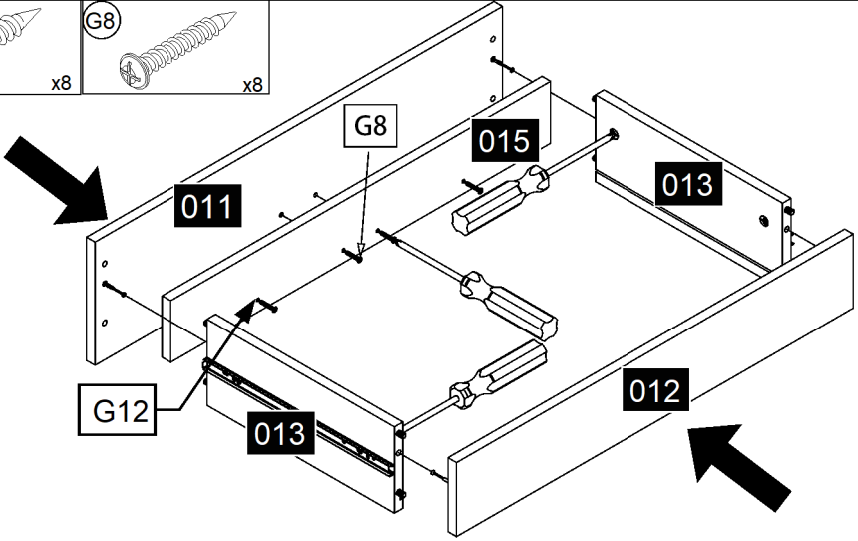
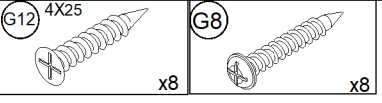
x4

07



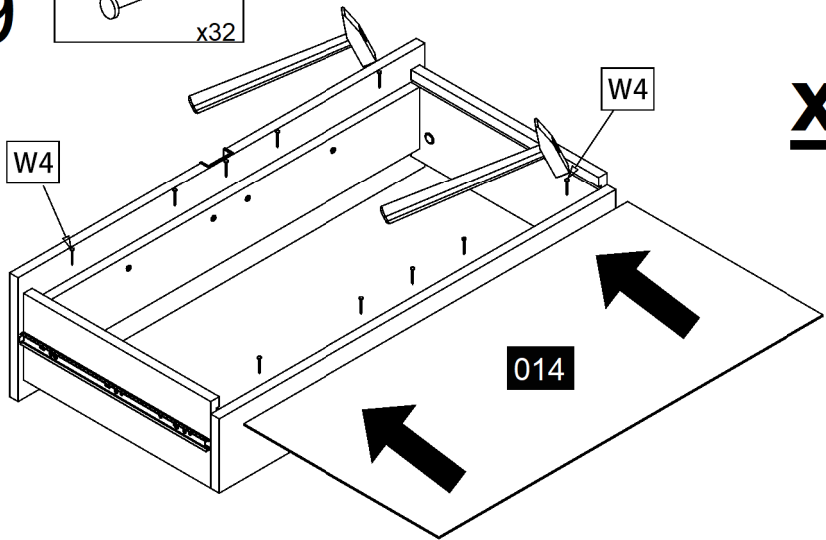
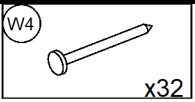
x4

08

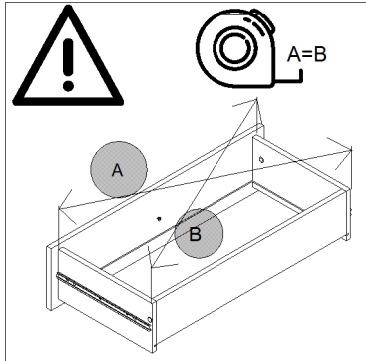


x4

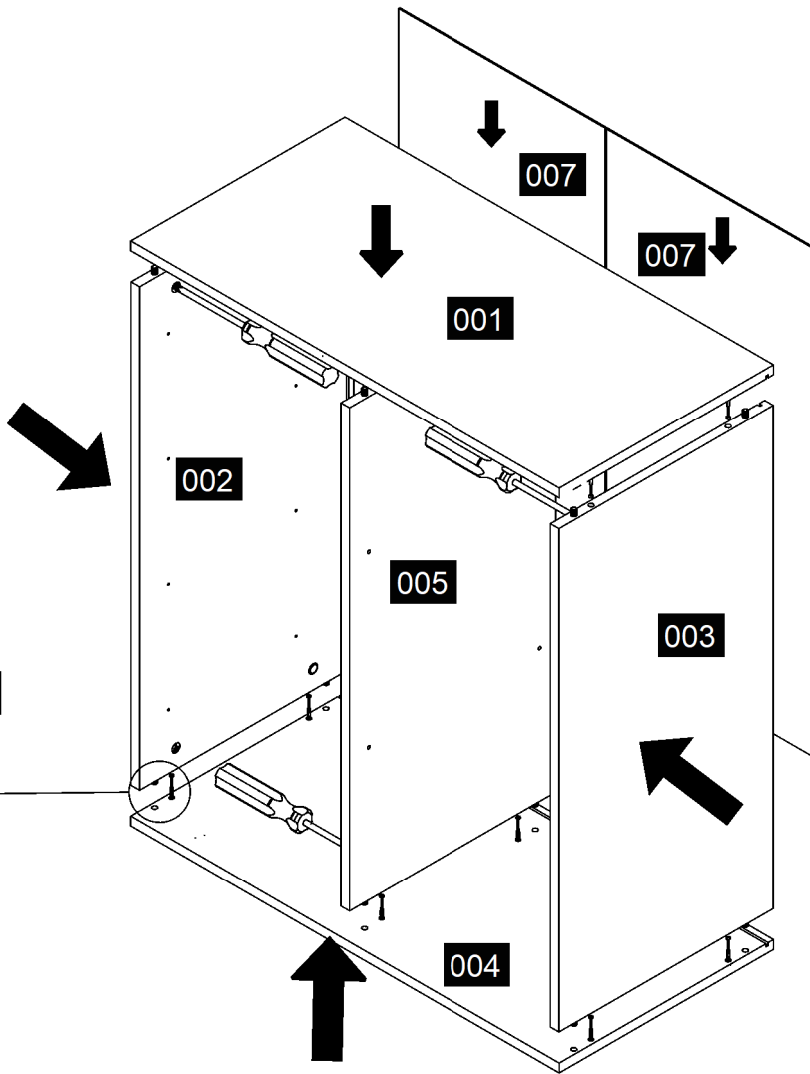
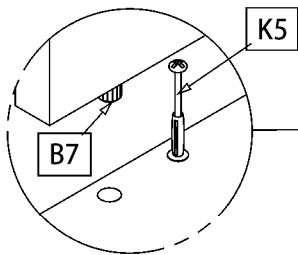
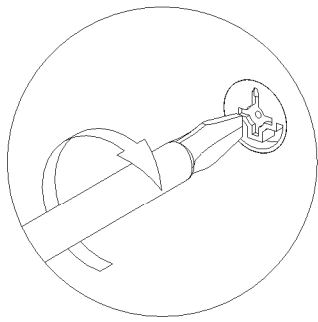
09



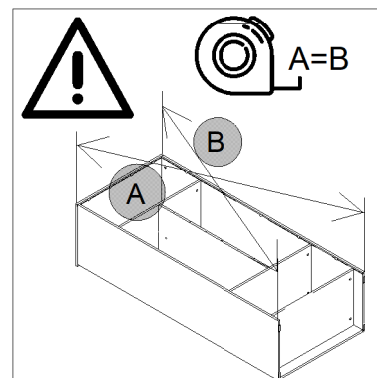
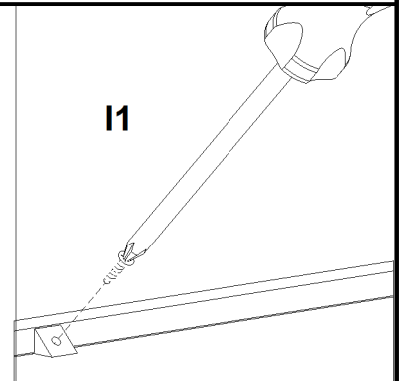
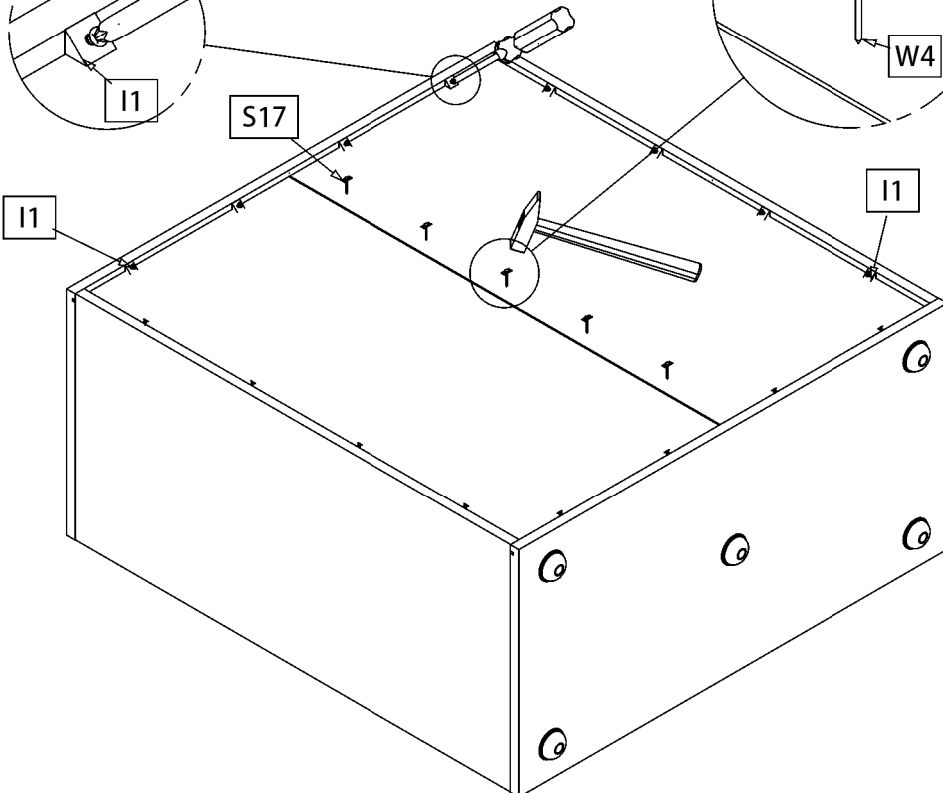
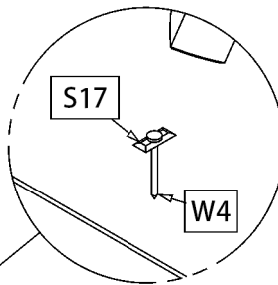
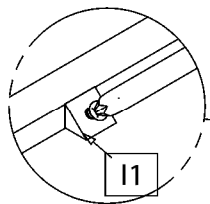
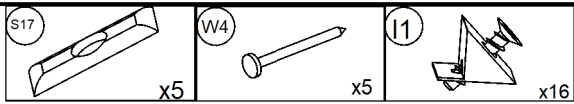
x4



10



11



12

