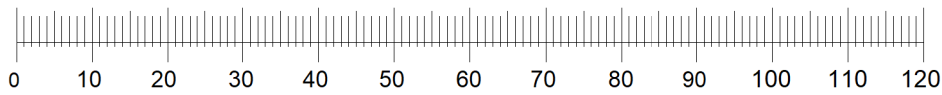
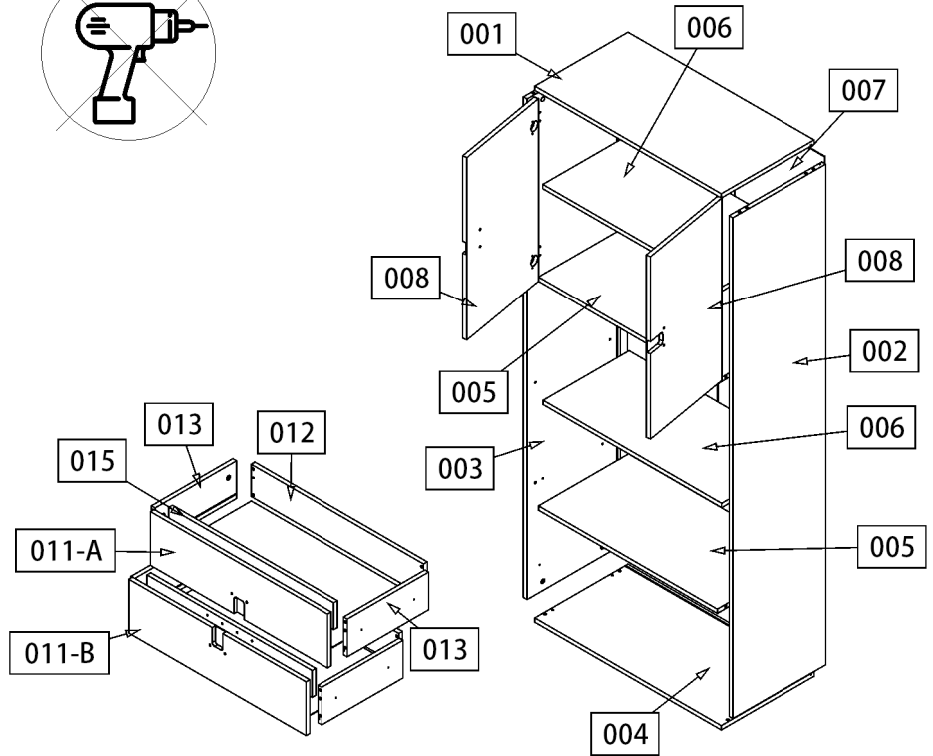
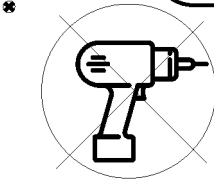
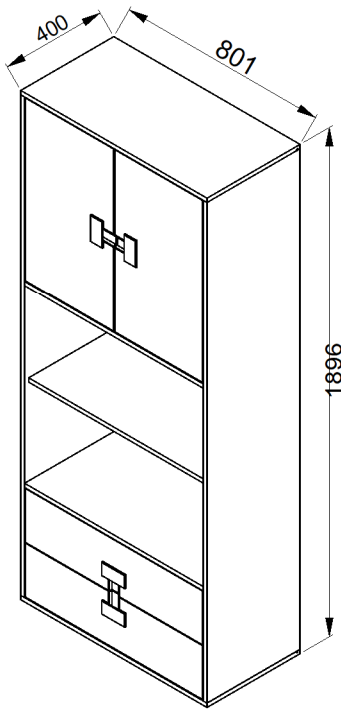
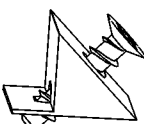
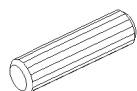

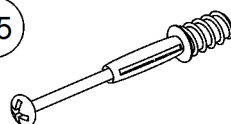
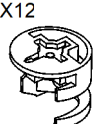
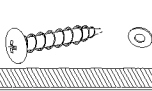
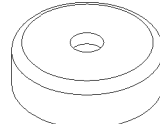
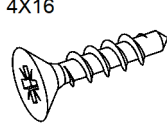
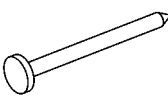
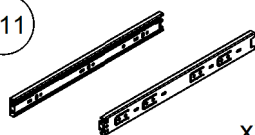
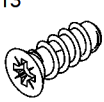
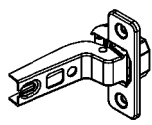
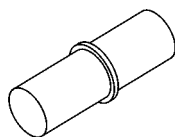
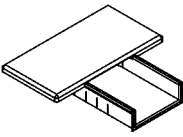
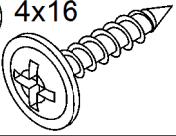
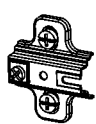
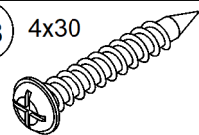

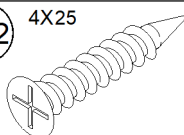


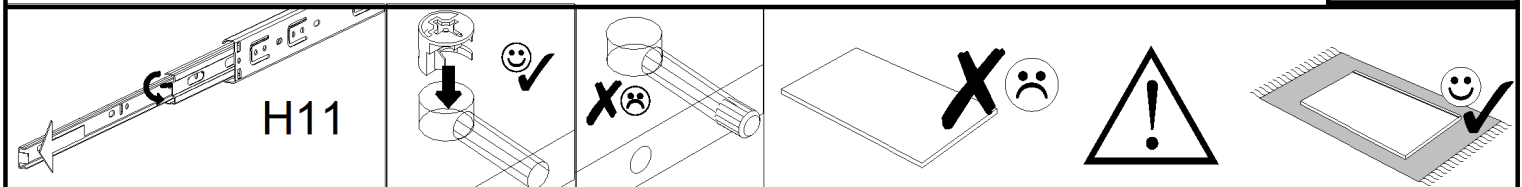
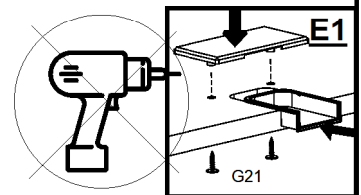
INDEX 05



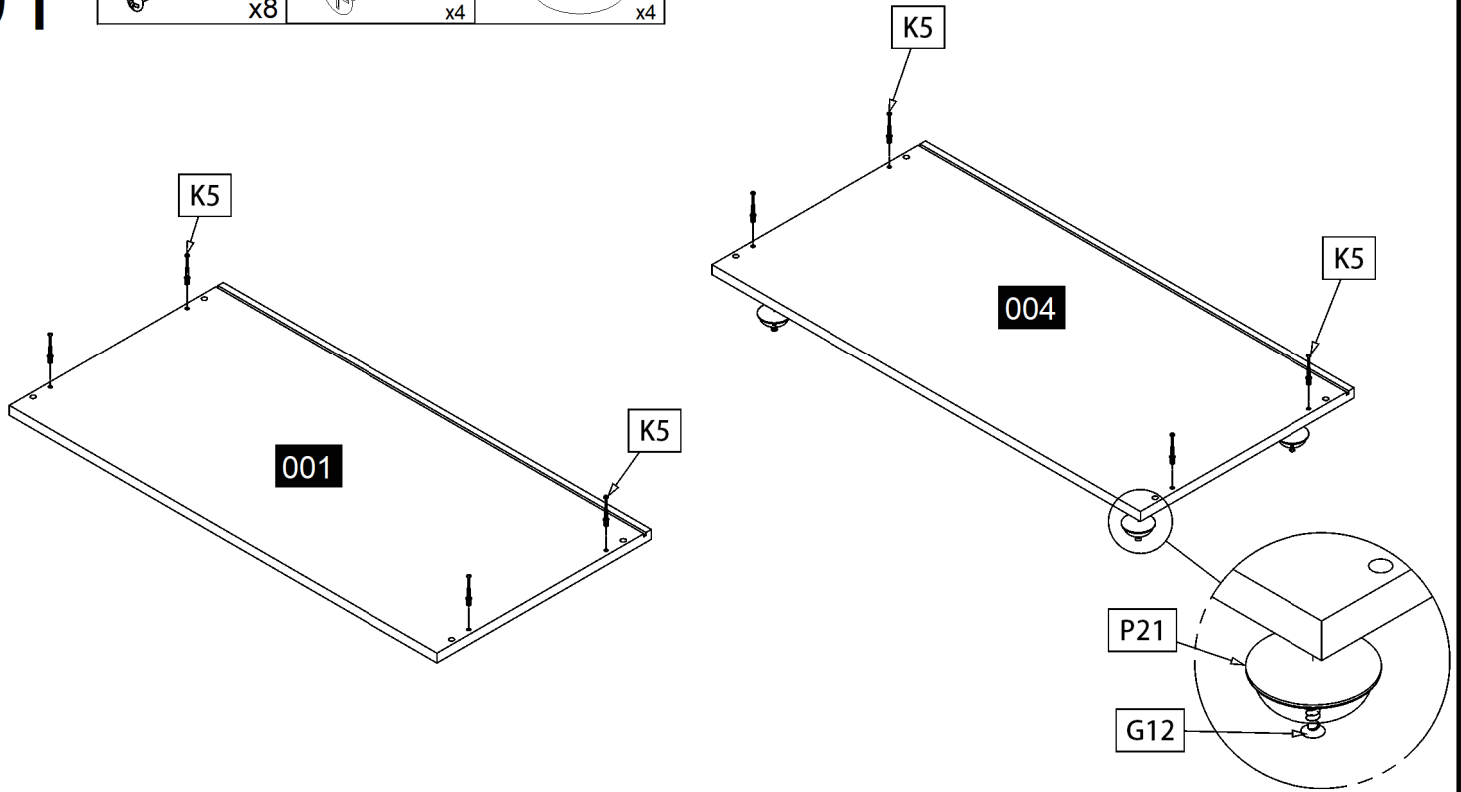
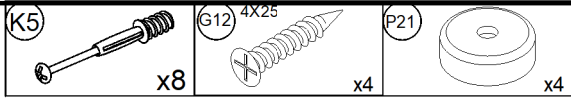
REGAŁ 80



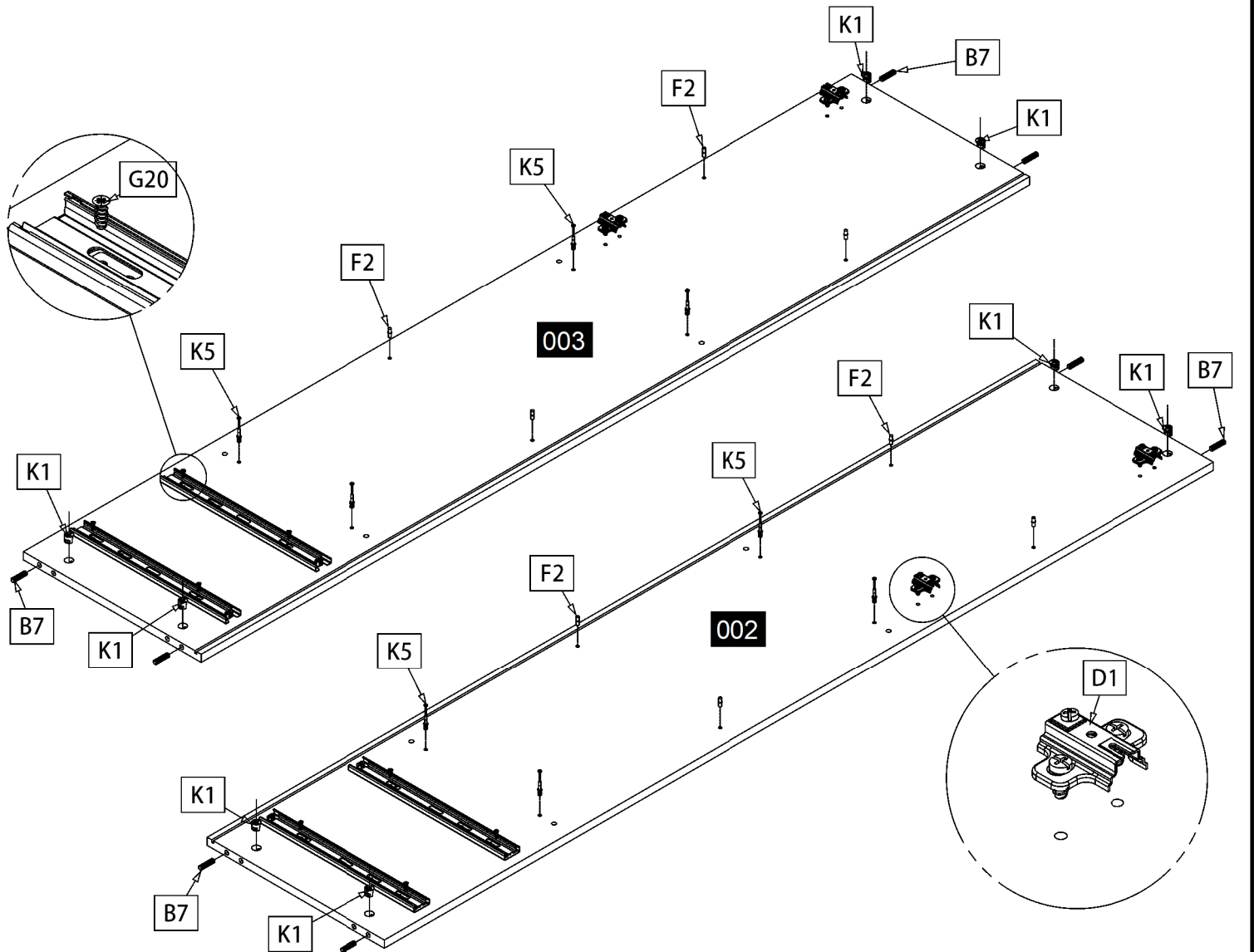
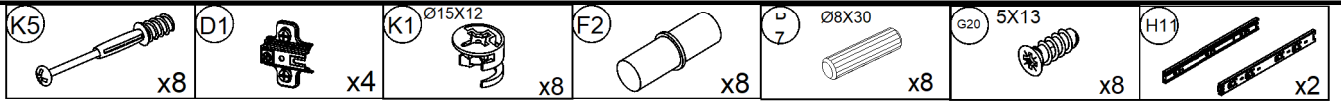
I1  x18	B7 Ø8X30  x32	K1z  x24	K5  x24	K1 Ø15X12  x24
R2  x1	P21  x4	G4 4X16  x8	W4  x44	H11  x2
G20 5X13  x16	C2  x4	F2  x8	E1  x4	G21 4X16  x4
D1  x4	G8 4x30  x4	S1  L=1435	G12 4X25  x8	



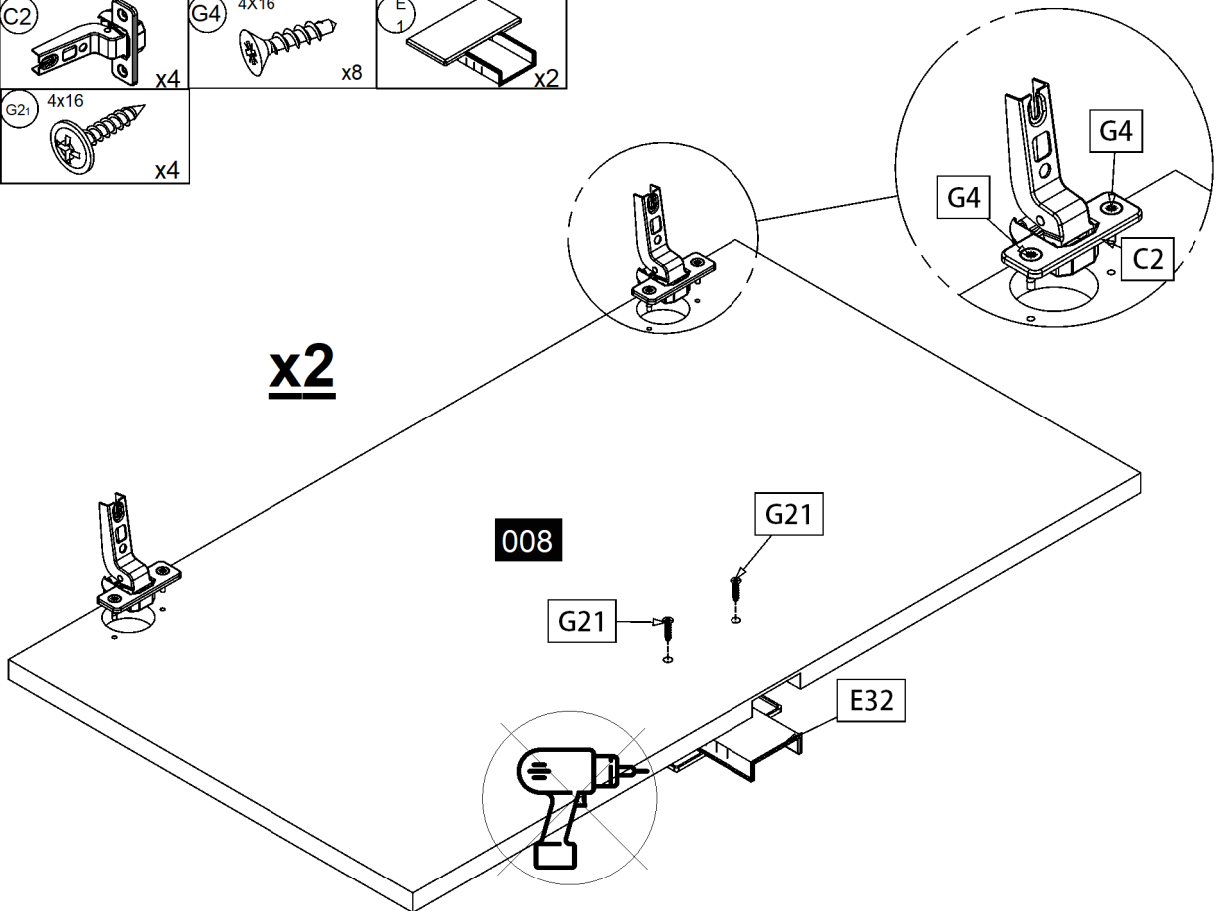
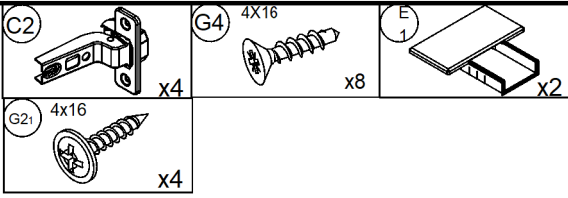
01



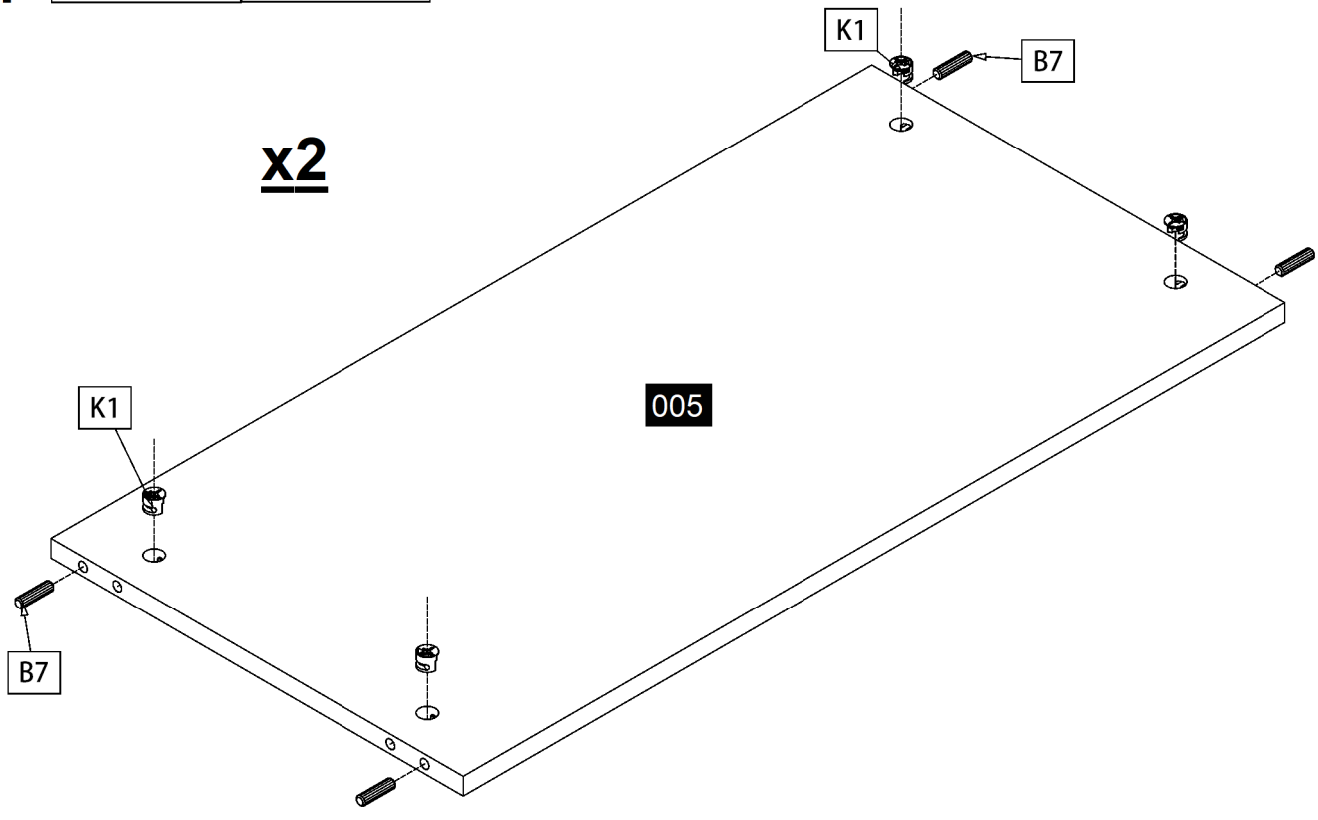
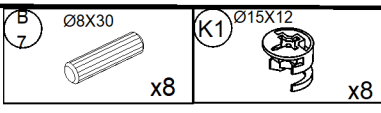
02



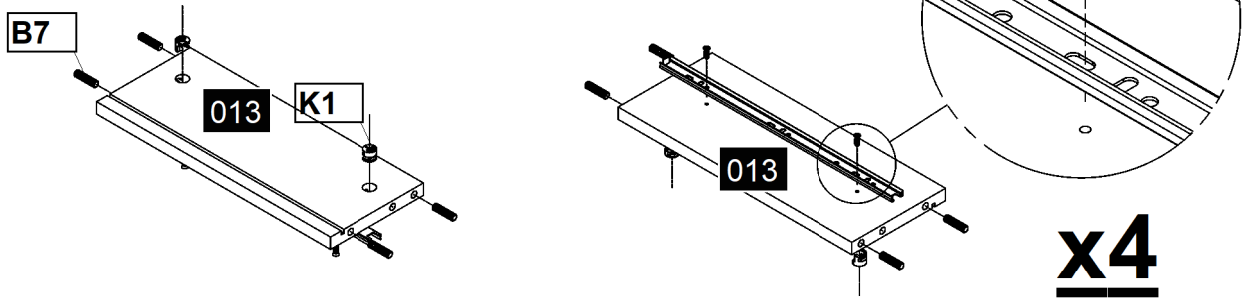
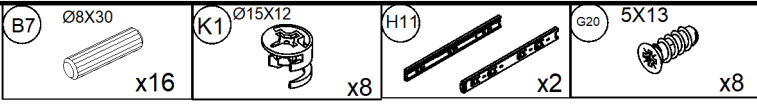
03



04

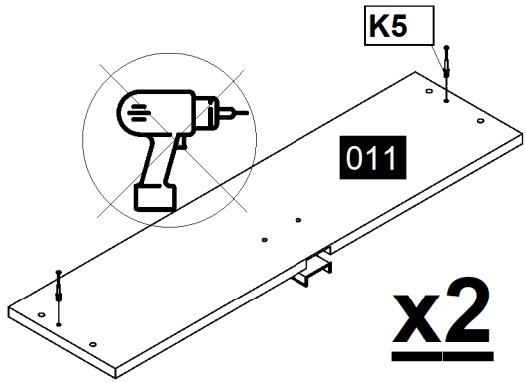
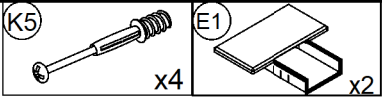


05



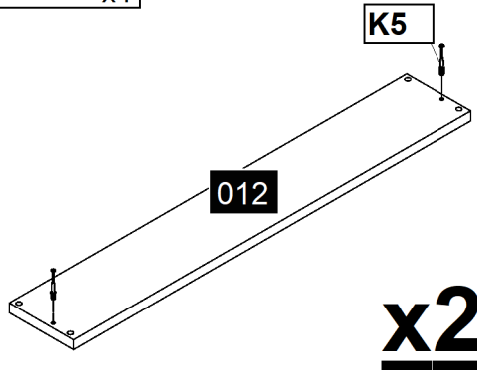
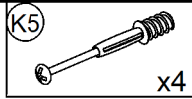
x4

06



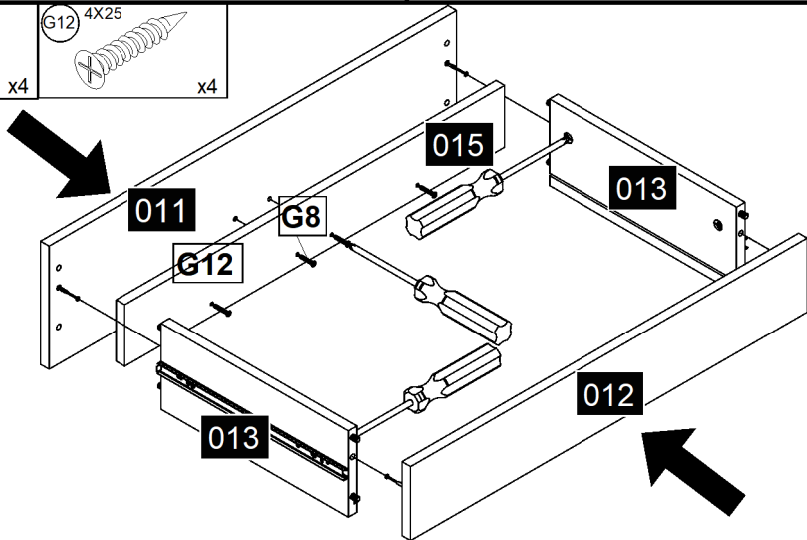
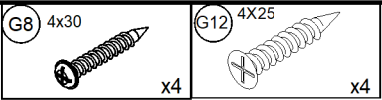
x2

07



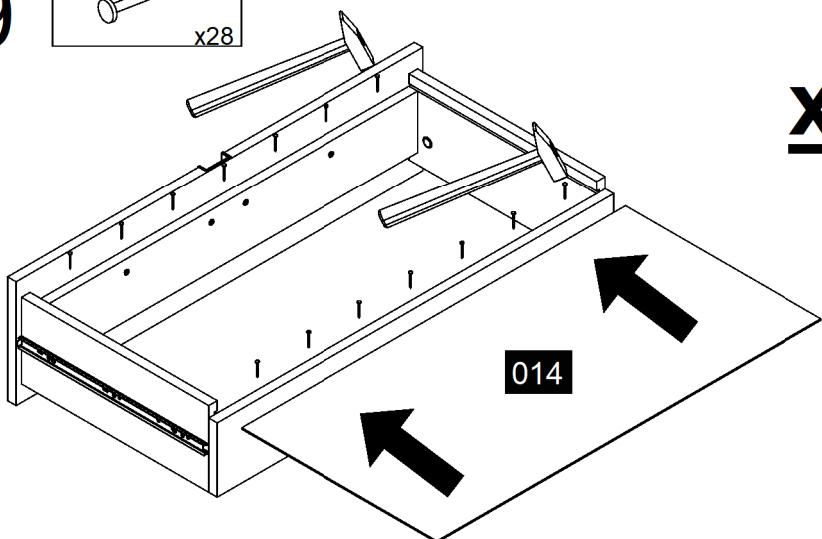
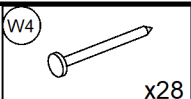
x2

08

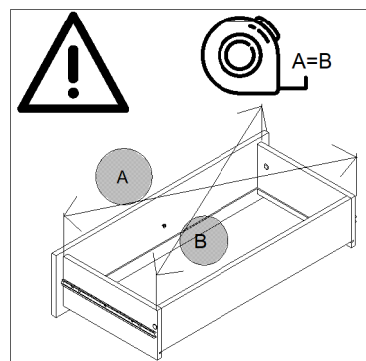


x2

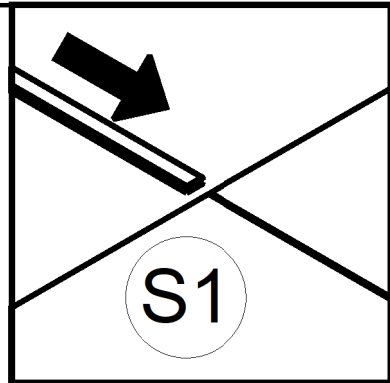
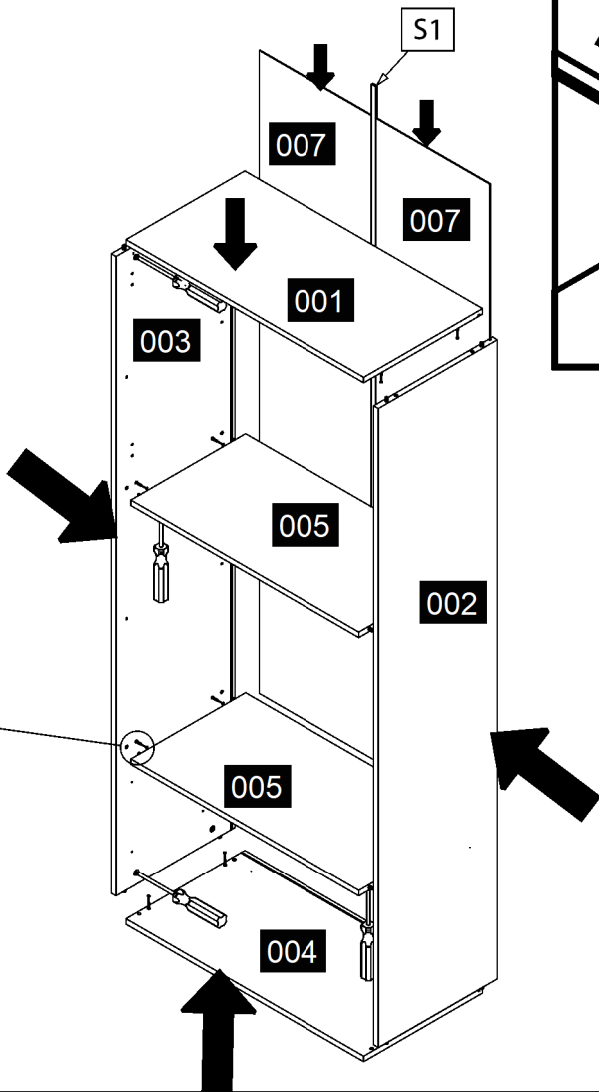
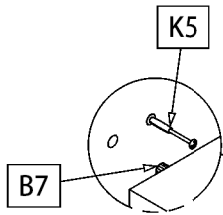
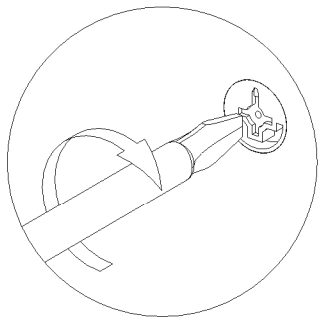
09



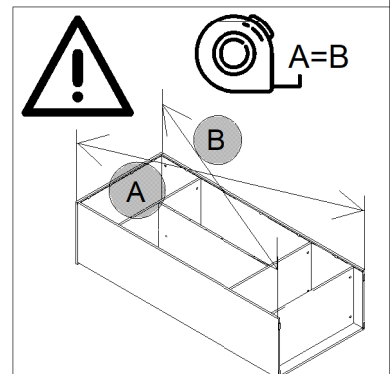
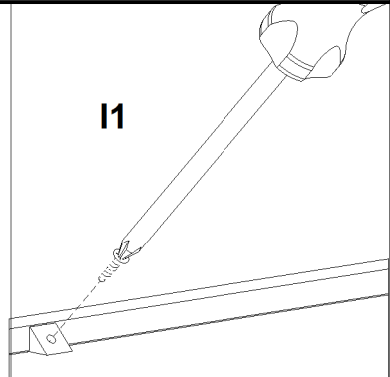
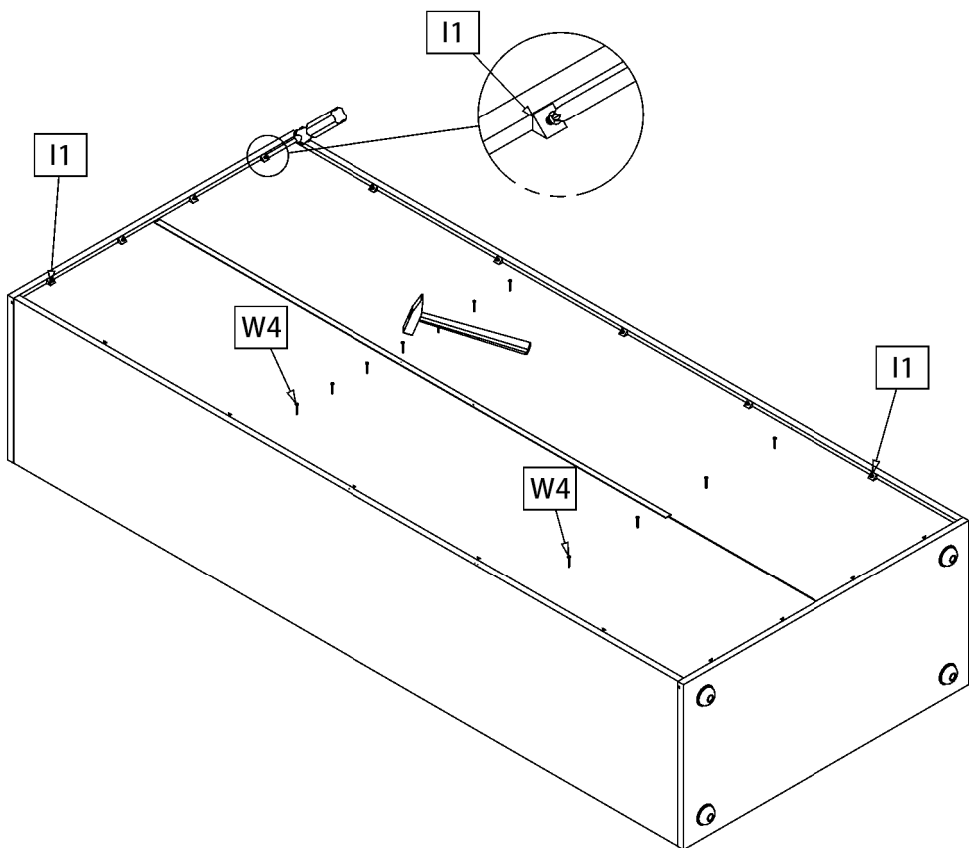
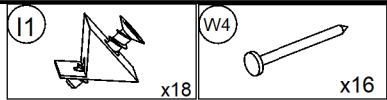
x2



10



11



12

