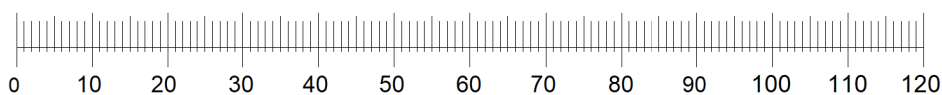
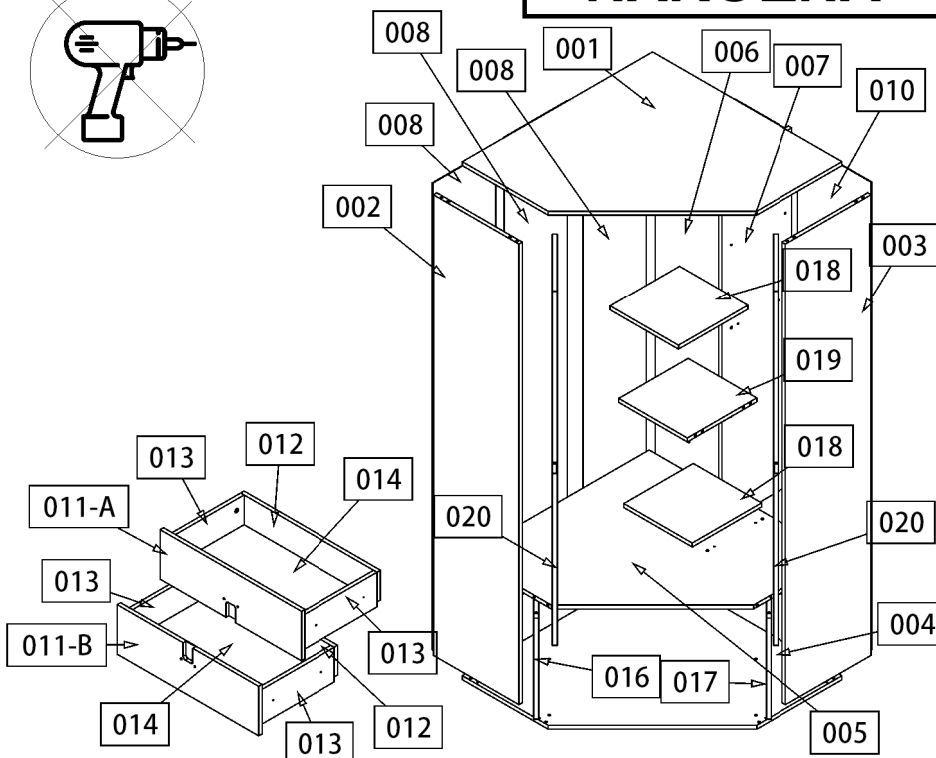
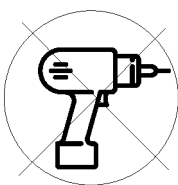
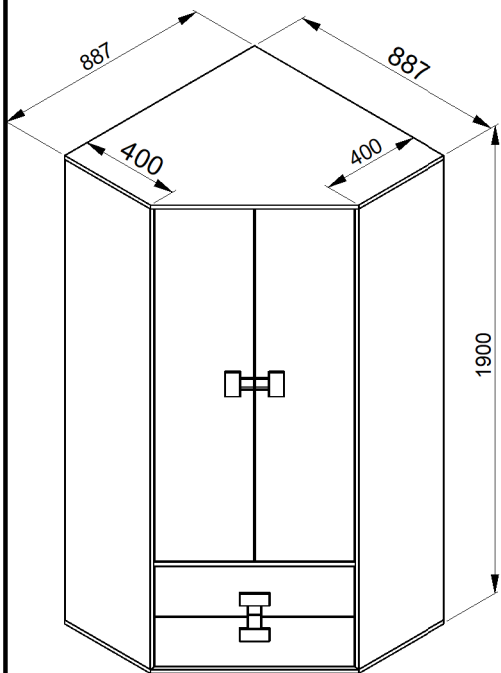


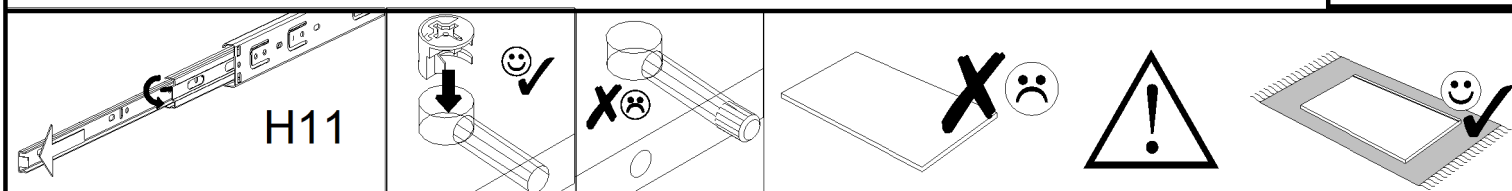
# INDEX 02



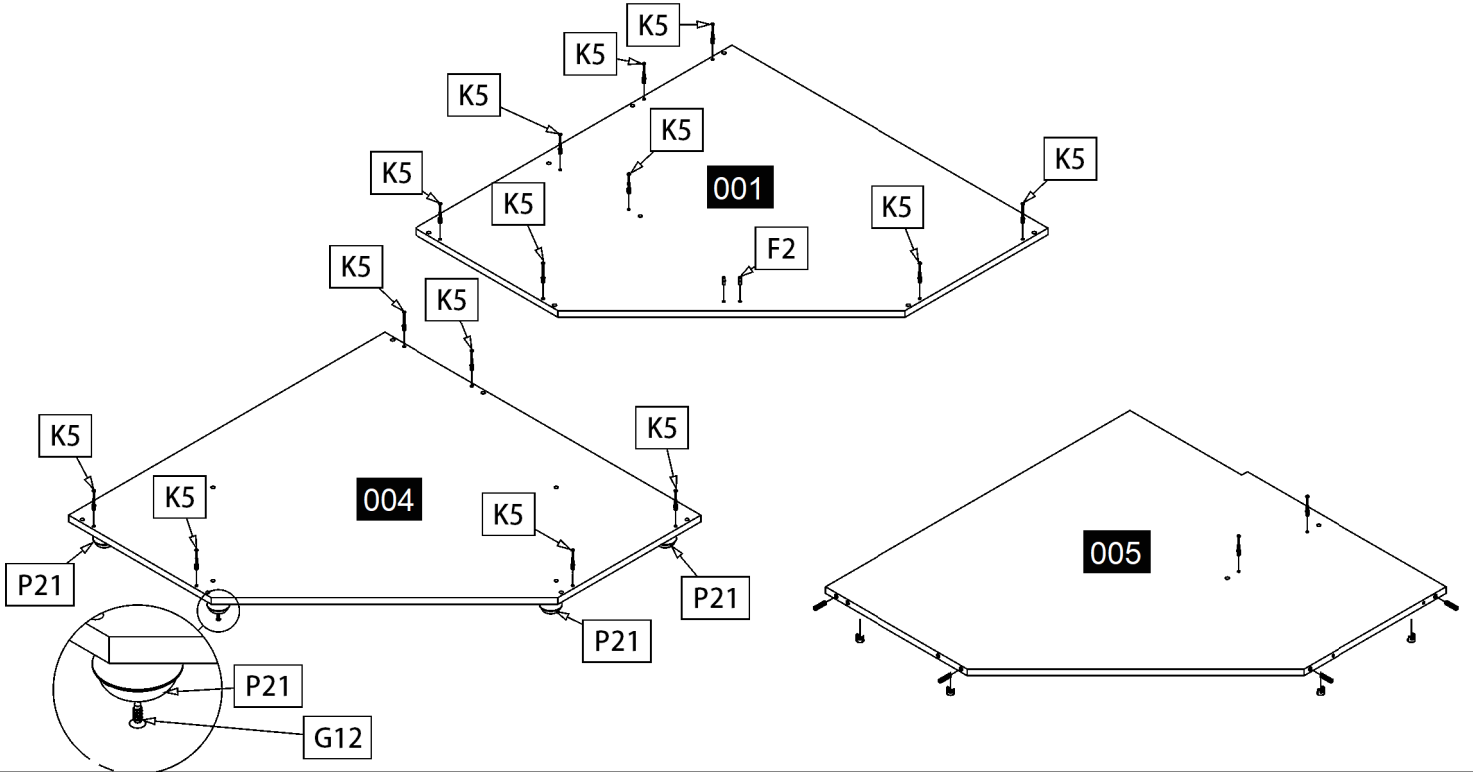
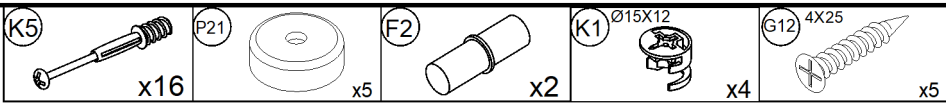
# SZAFKA NAROŻNA



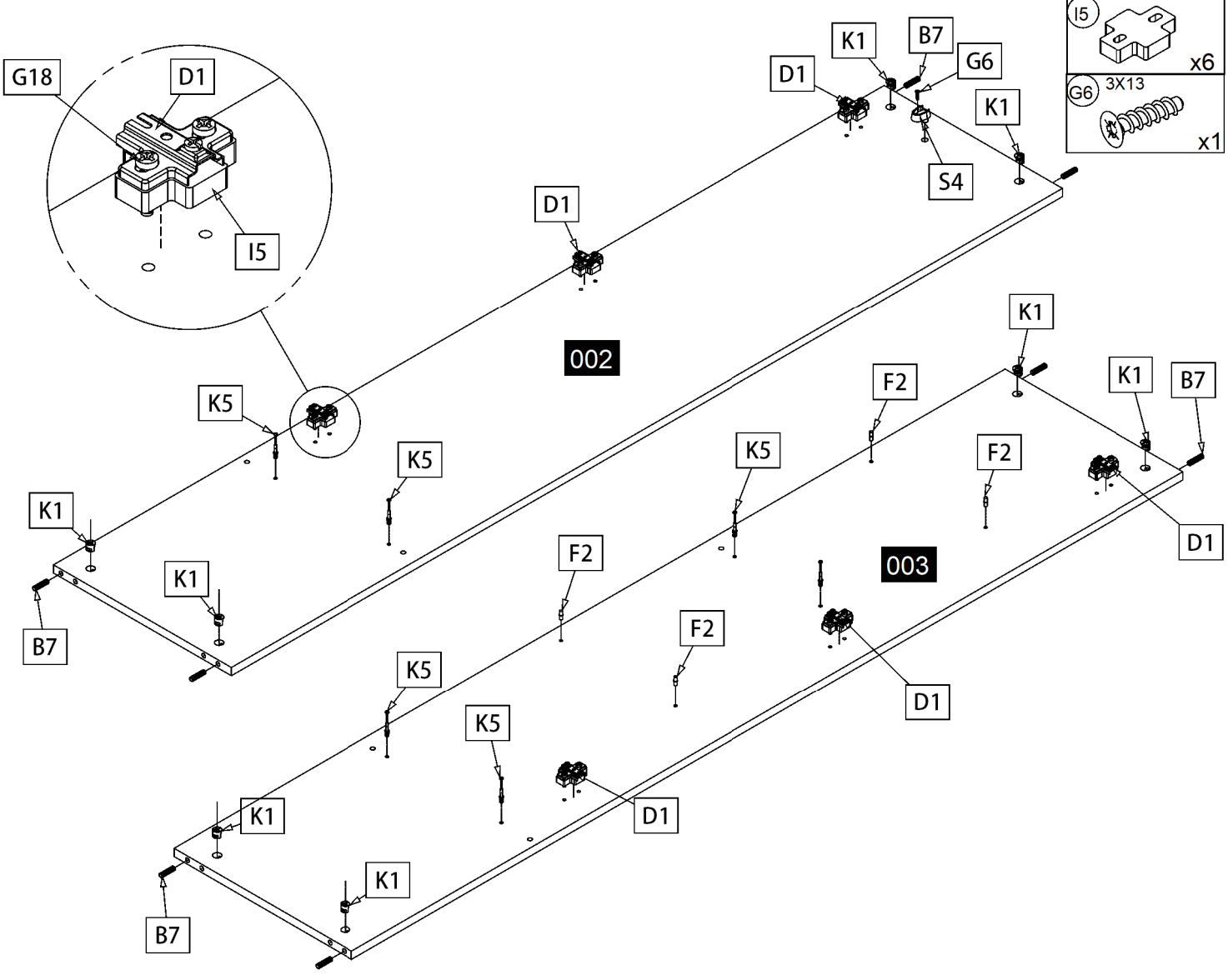
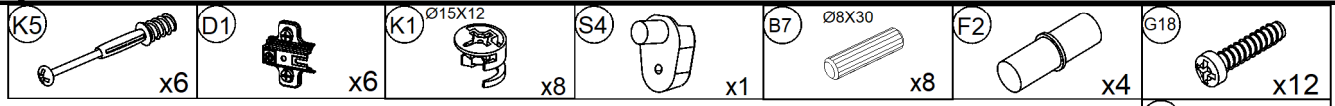
<b>A1</b>  x1	<b>B7</b> Ø8X30  x48	<b>K1z</b>  x32	<b>K5</b>  x32	<b>K1</b> Ø15X12  x32
<b>W2</b>  x1	<b>P21</b>  x5	<b>G4</b> 4X16  x12	<b>W4</b>  x81	<b>S4</b>  x2
<b>S5</b>  L=850	<b>S17</b>  x9	<b>F2</b>  x10	<b>E1</b>  x4	<b>G21</b> 4x16  x4
<b>D1</b>  x6	<b>C4</b>  x6	<b>S1</b>  x2 L=1844	<b>G8</b> 4x30  x4	<b>H11</b>  x2
<b>G20</b> 5X13  x16	<b>A1z</b>  x1	<b>G6</b> 3X13  x11	<b>I5</b>  x6	
<b>G18</b> 6.3x24  x12	<b>G12</b> 4X25  x9			



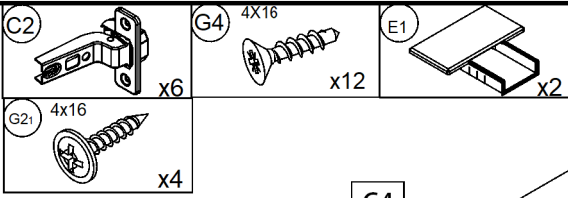
# 01



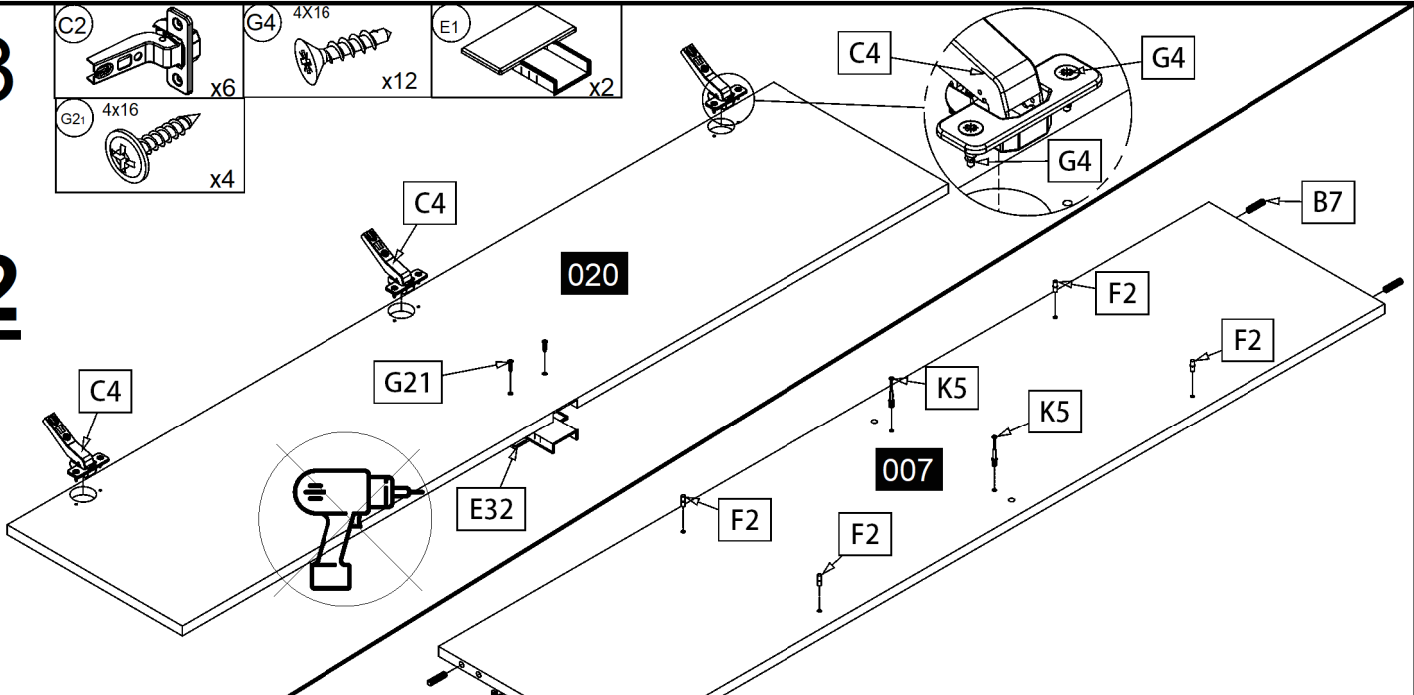
# 02



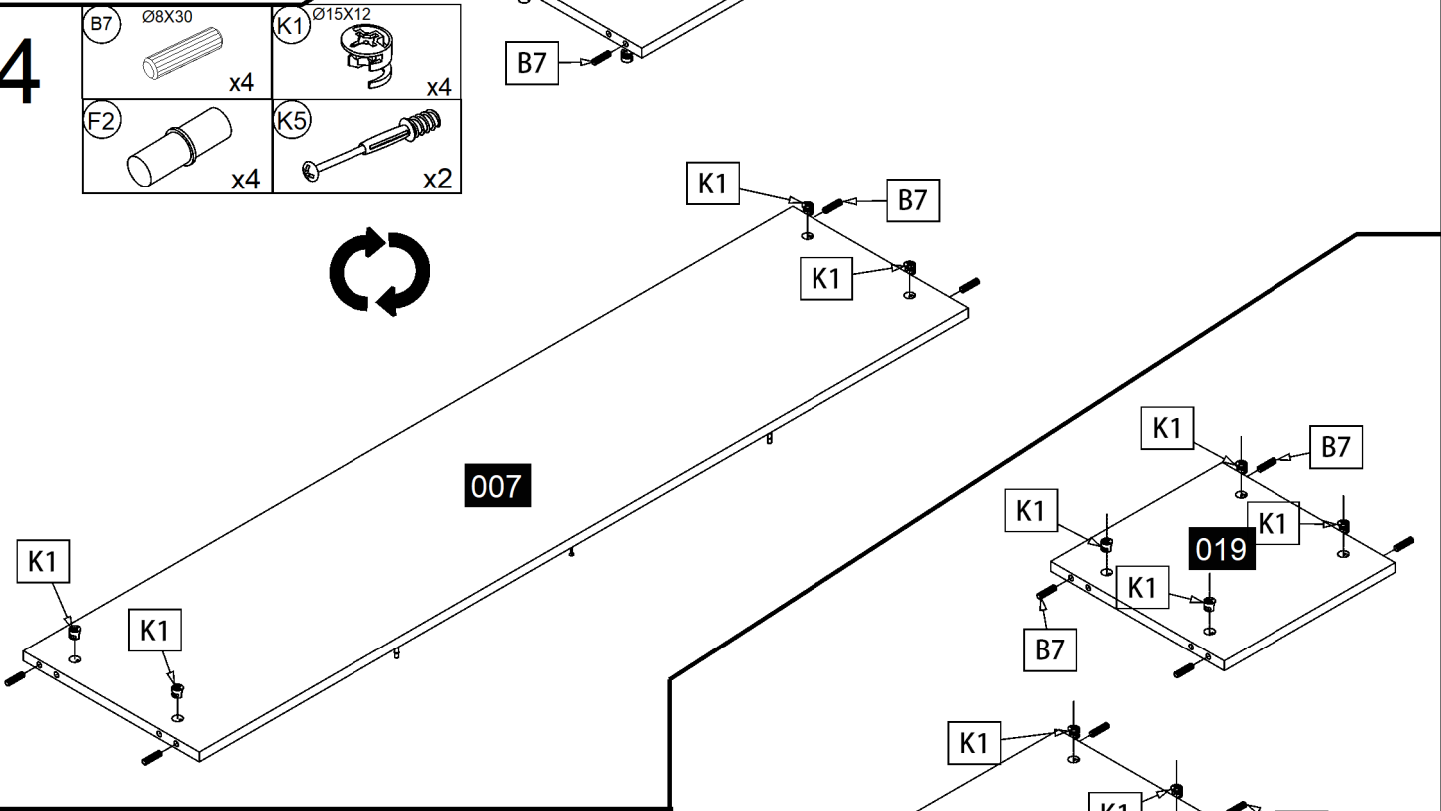
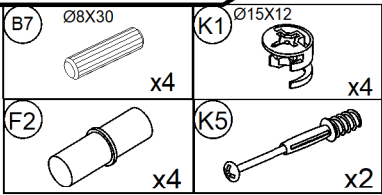
03



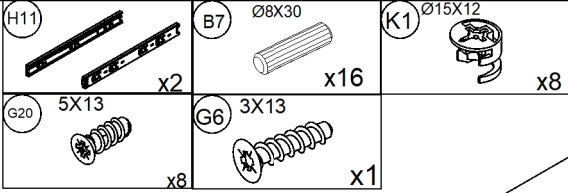
**x2**



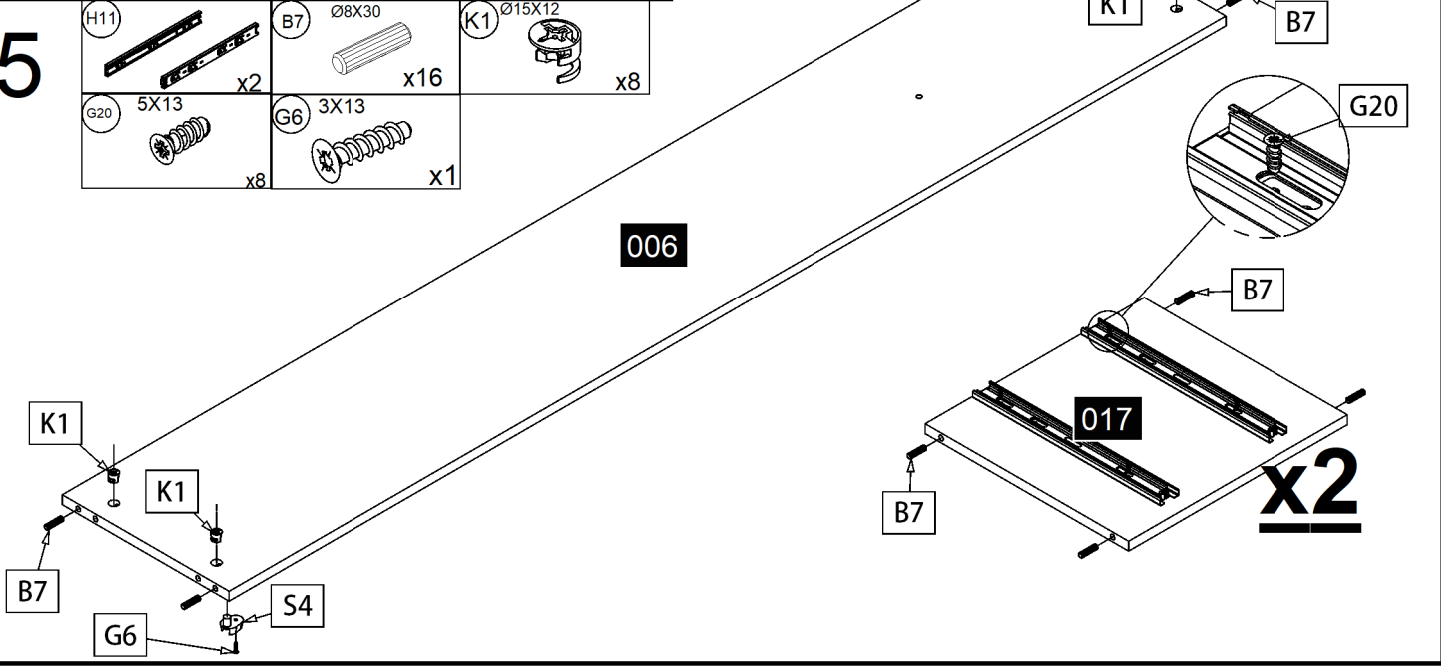
04



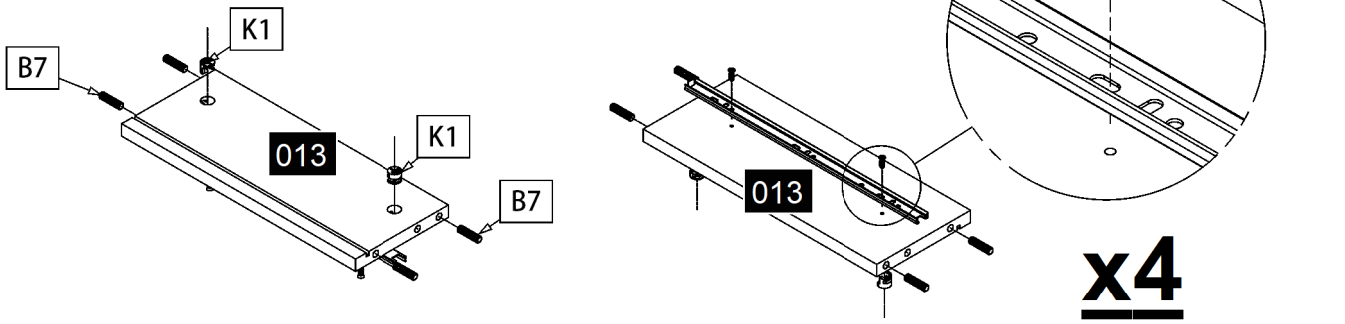
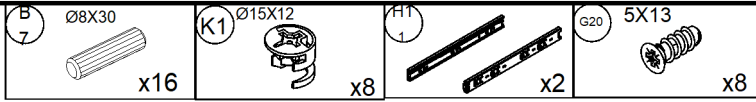
05



**x2**

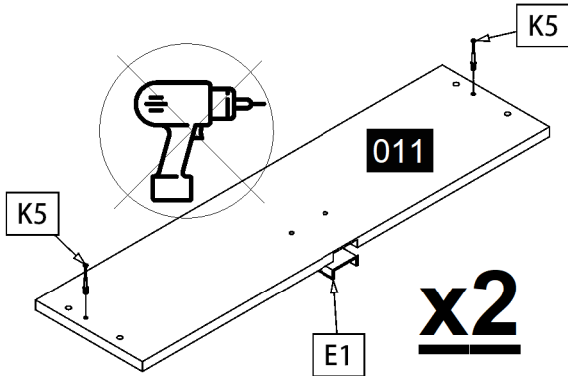
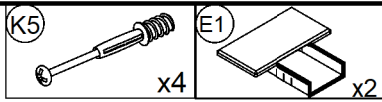


06



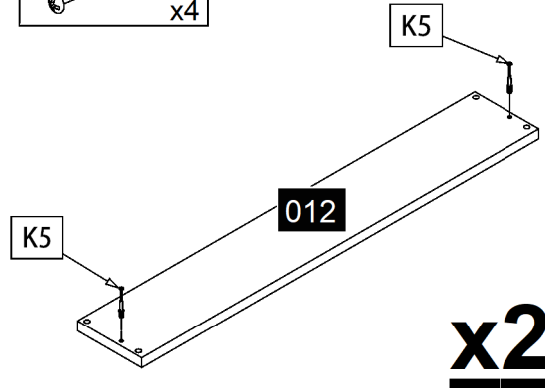
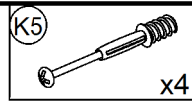
**x4**

07



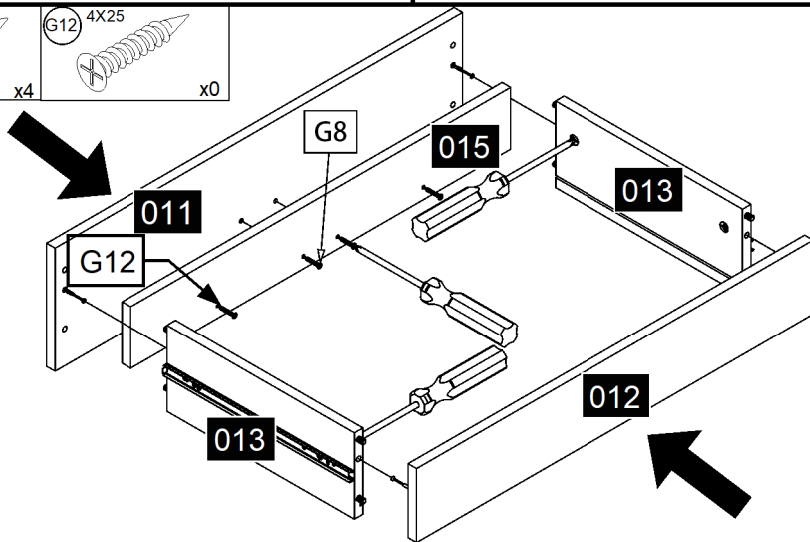
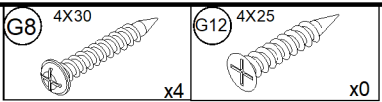
**x2**

08



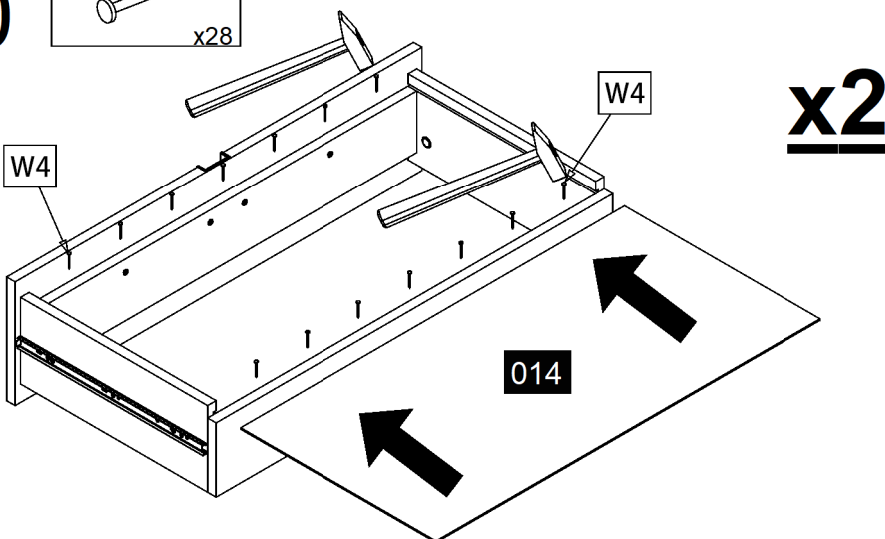
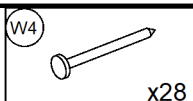
**x2**

09

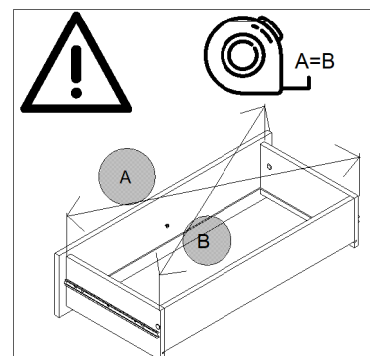


**x2**

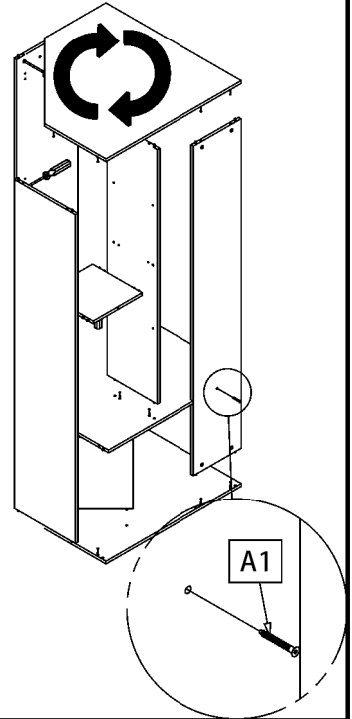
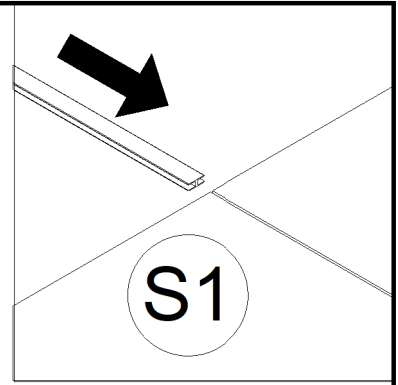
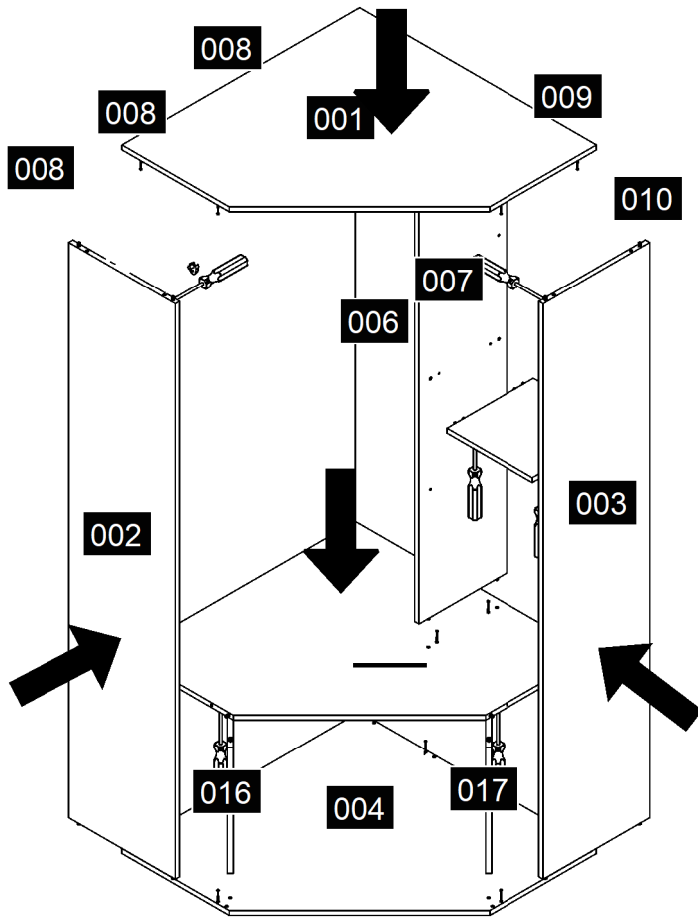
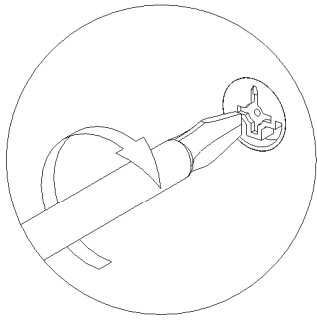
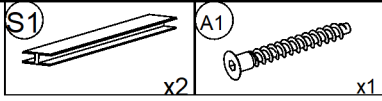
10



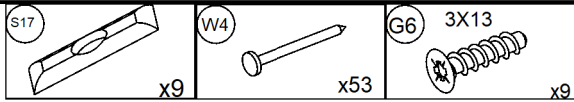
**x2**



# 11

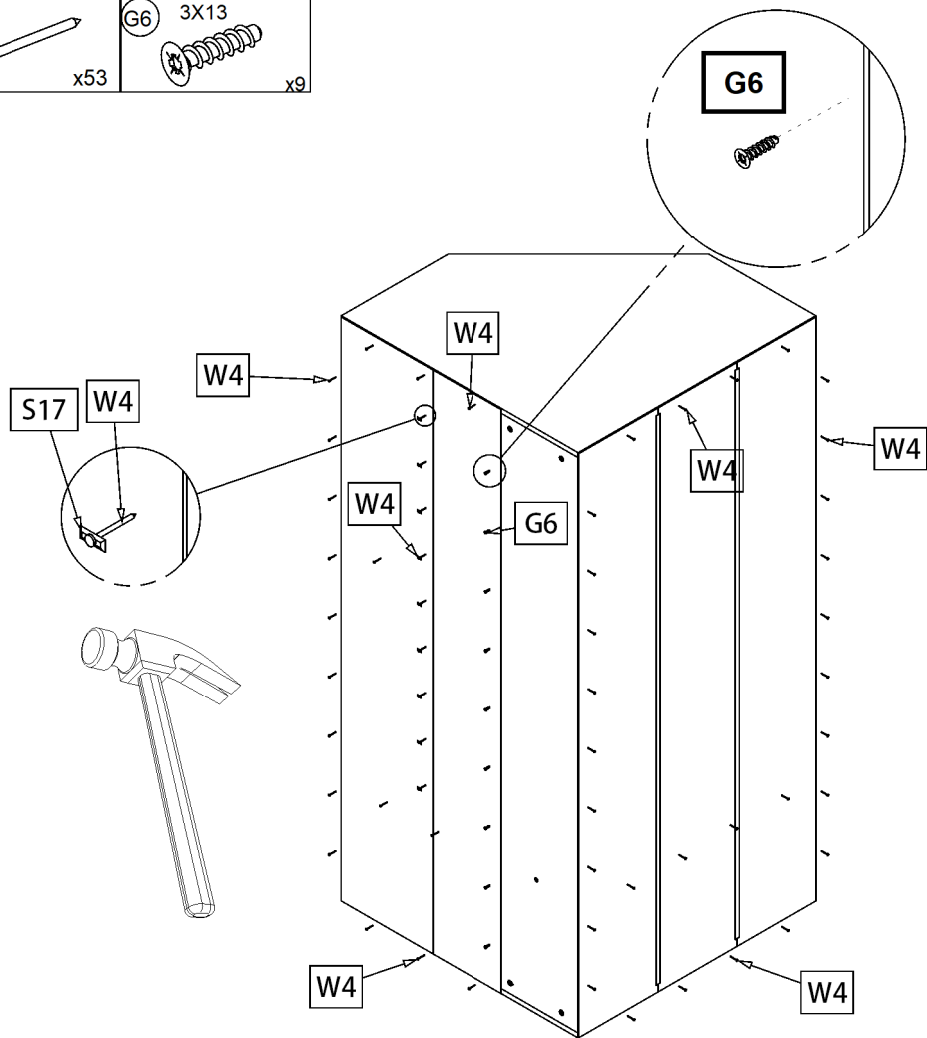
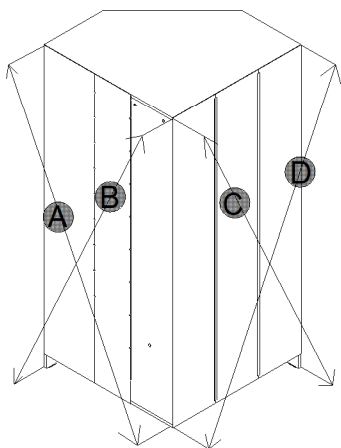


# 12



A=B

C=D



# 13

