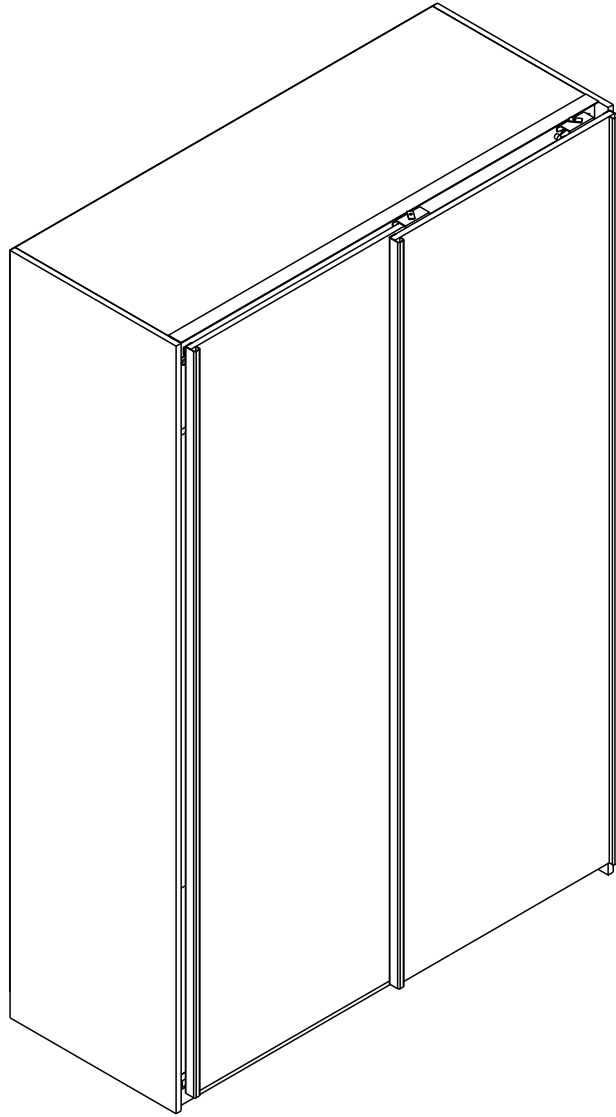
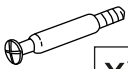





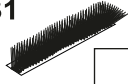









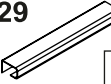
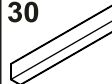
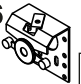
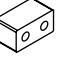
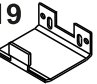
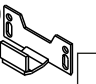
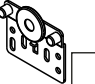
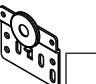
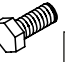

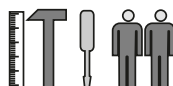


FIFI

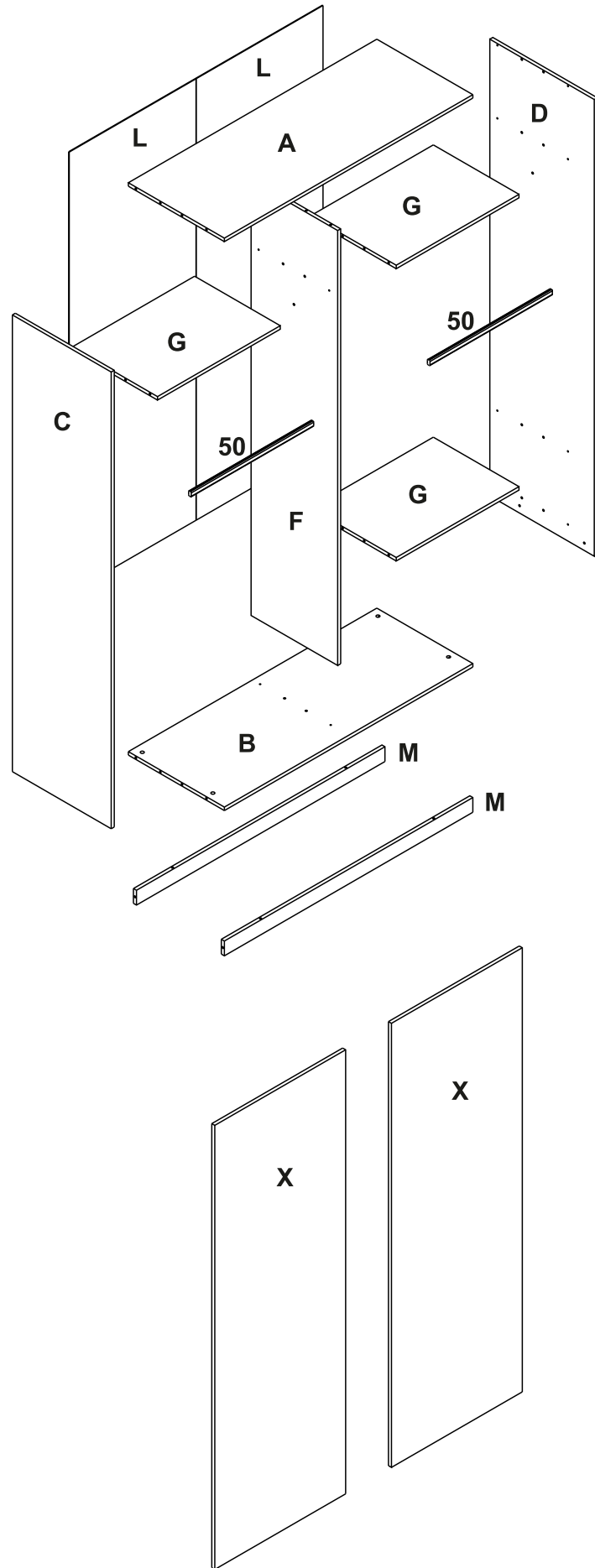


1  x24	2  x24	3  8x35 x32	4  x24	5  x100	6  x4
31  x3	8  3,5x15 x4	34  M6 x2	10  3,5x22 x4	35  x2	12  4x16 x24
13  3x16 x5	14  4x12 x31	25  L=1320 x1	26  L=1320 x1	29  L=2040 x3	30  L=2040 x1
16  x2	18  x2	19  x2	20  x2	21  x1	22  x1
33  M6x20 x2	50  L=644 x2				

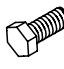



Czas mont. - 180 min.

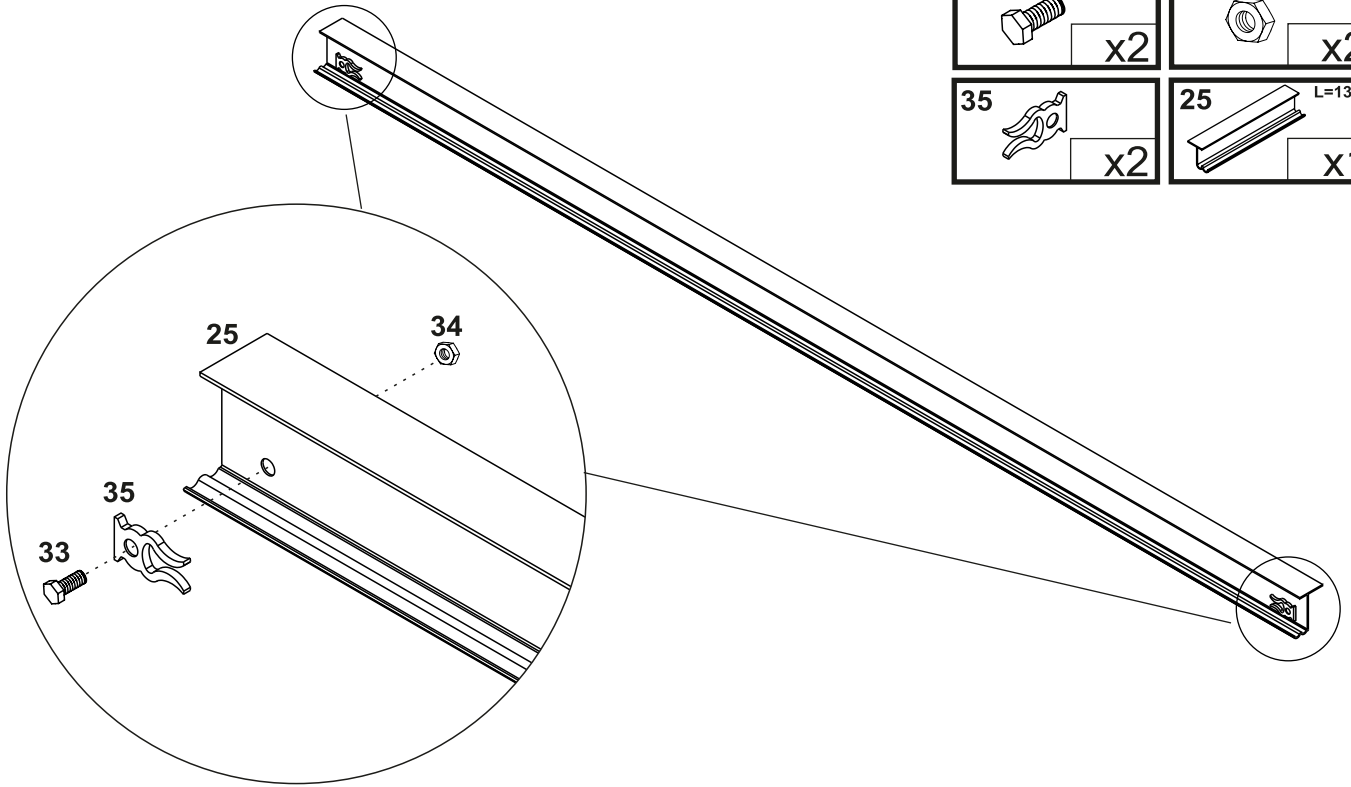


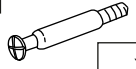

FIFI

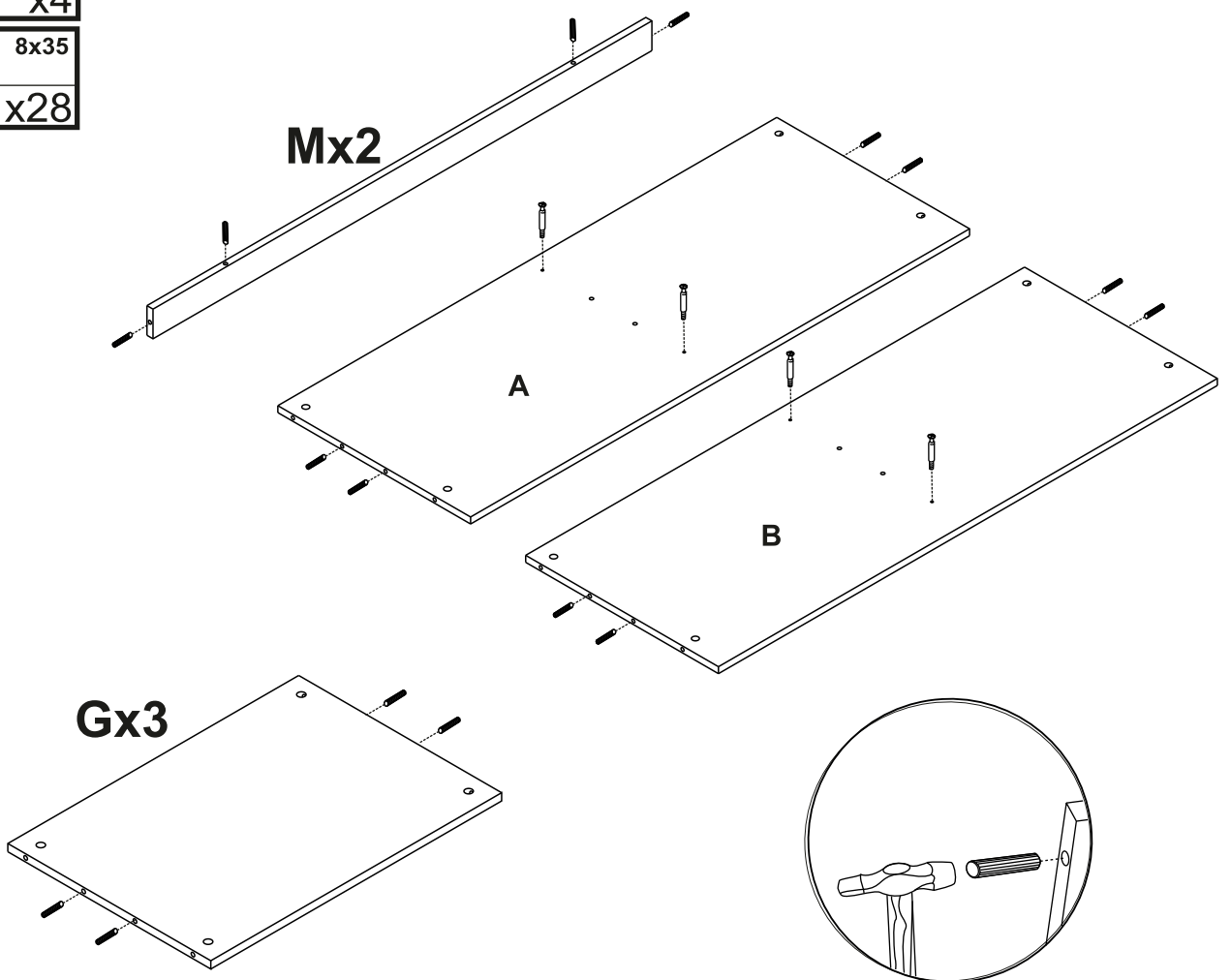


1

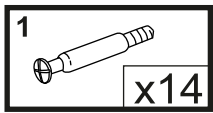
33	M6x20	34	M6
	x2		x2
35		25	L=1320
	x2		x1



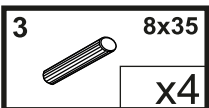
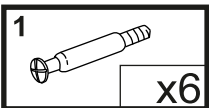
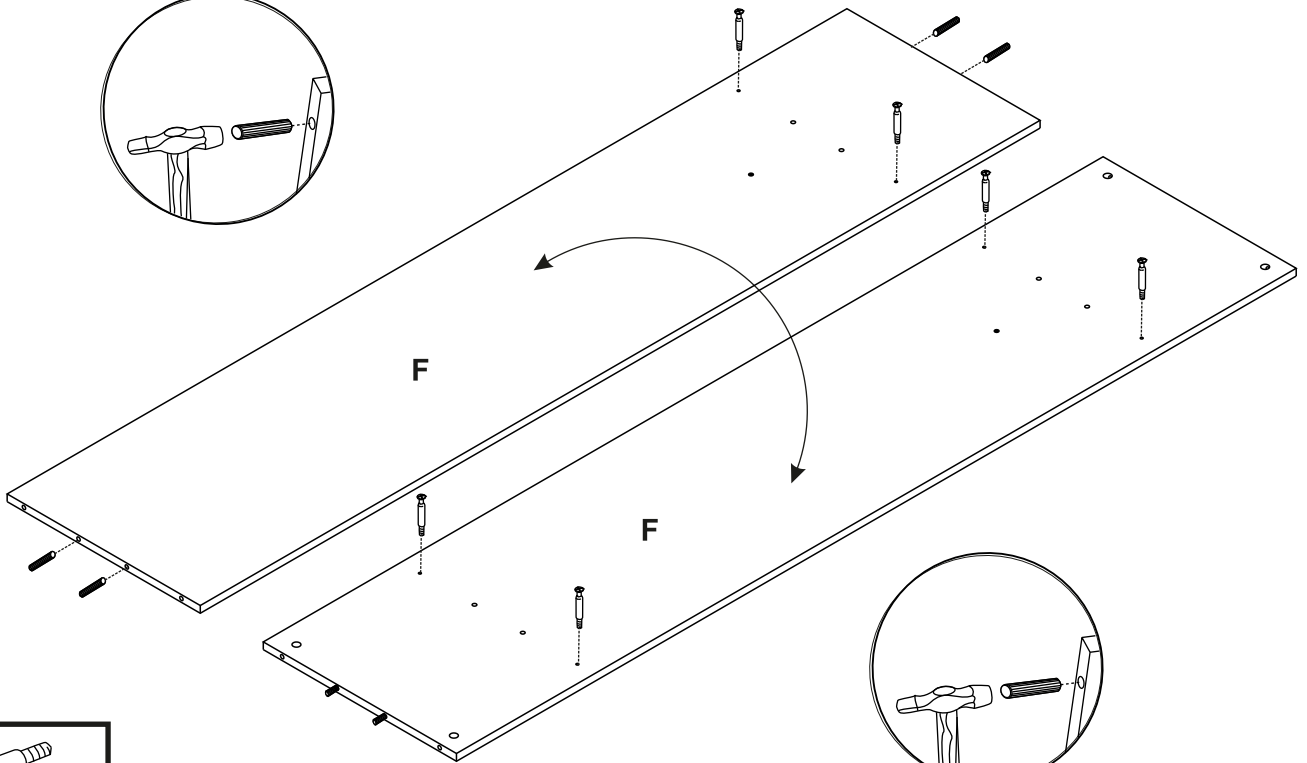
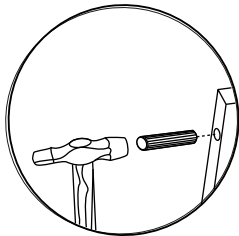
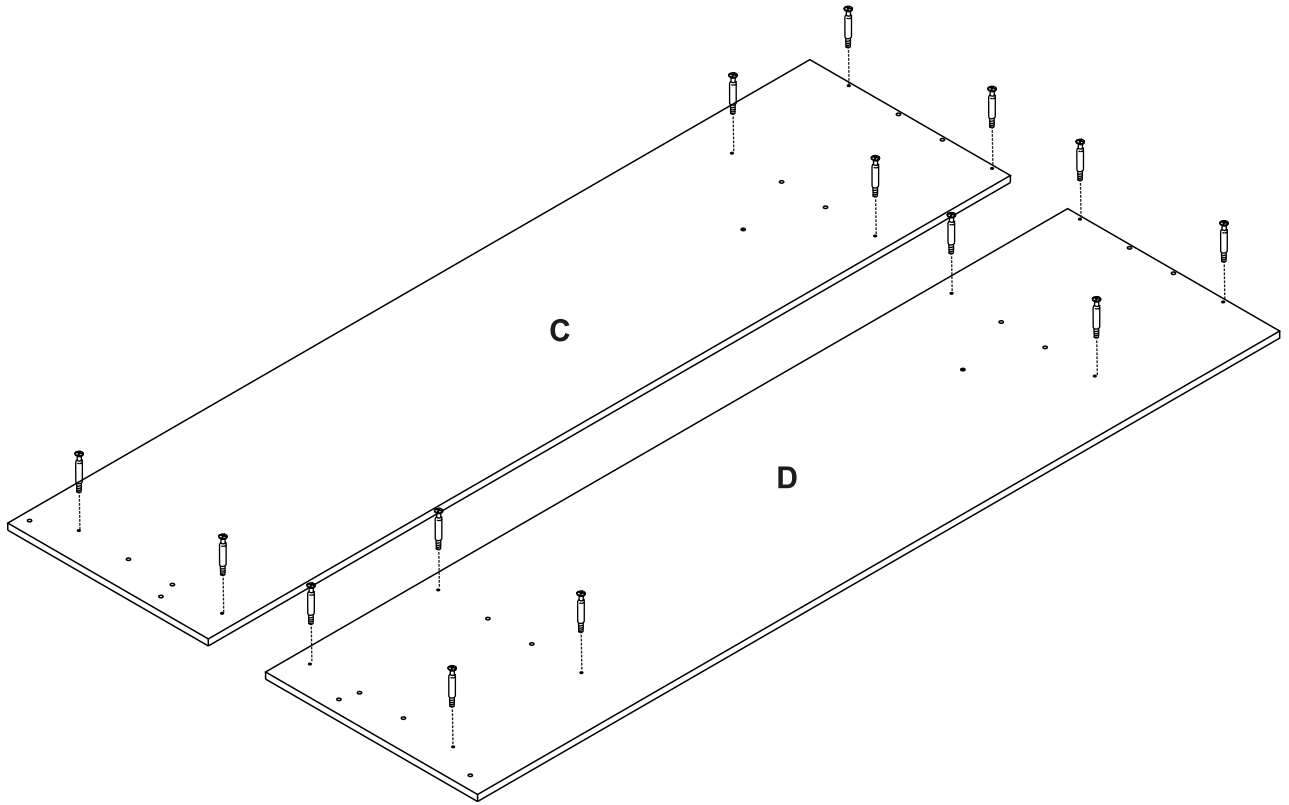
1		x4
3		8x35
		x28



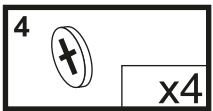
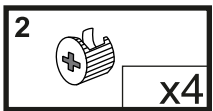
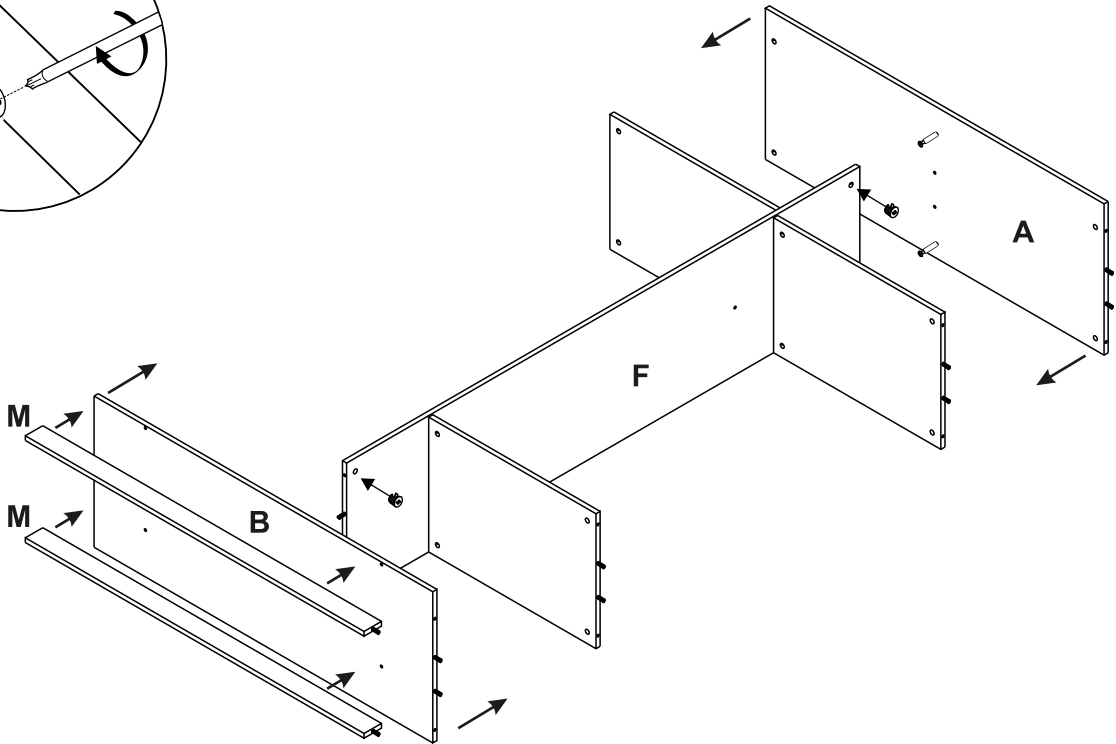
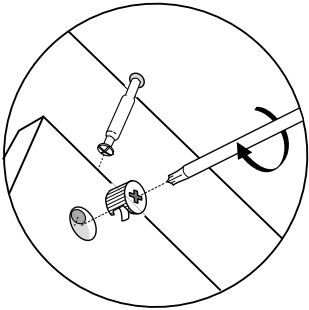
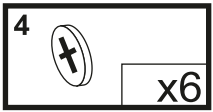
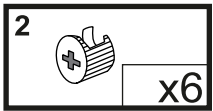
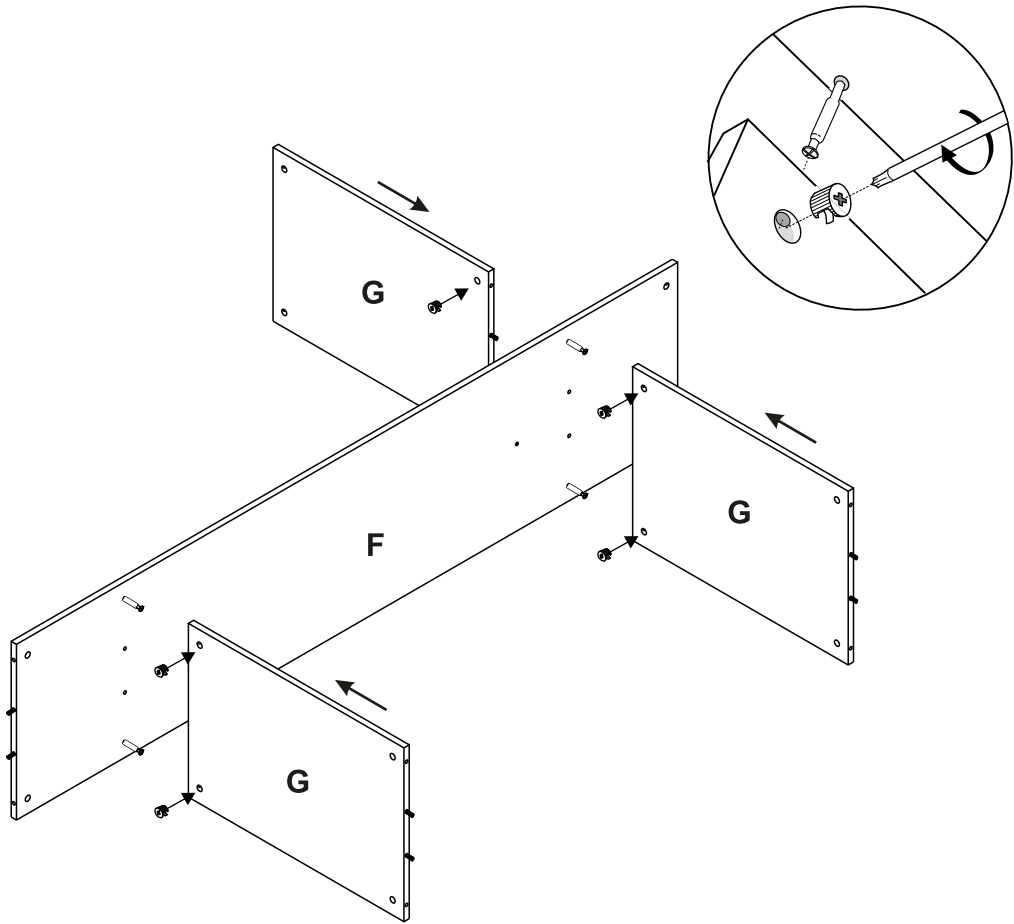
2







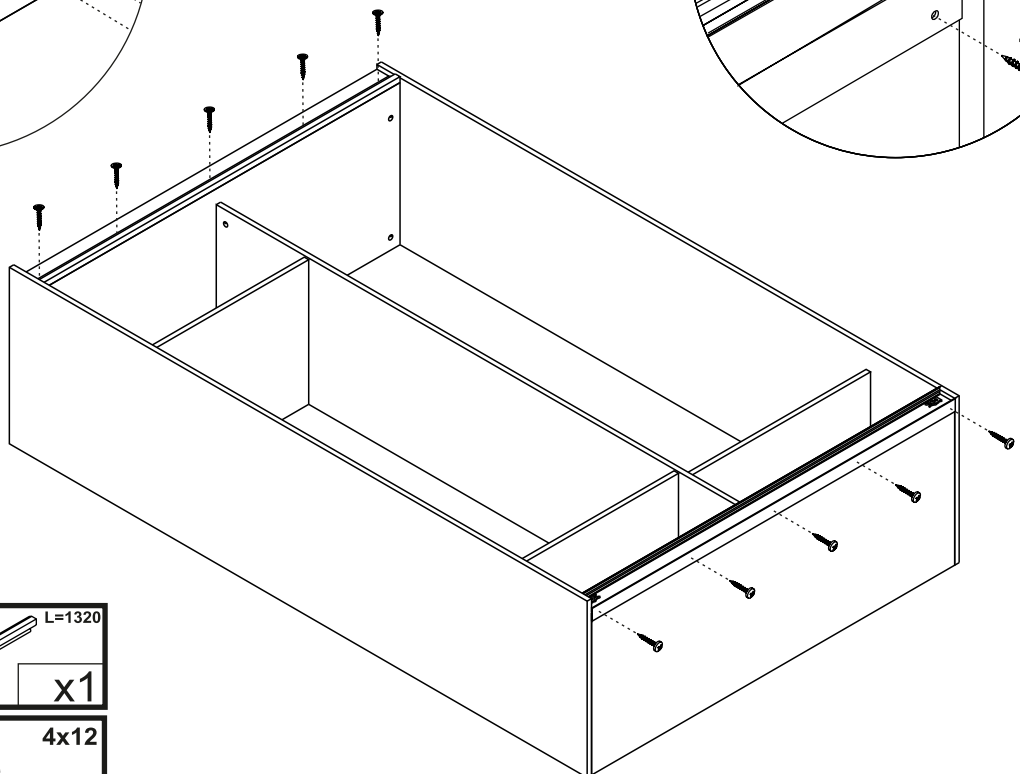
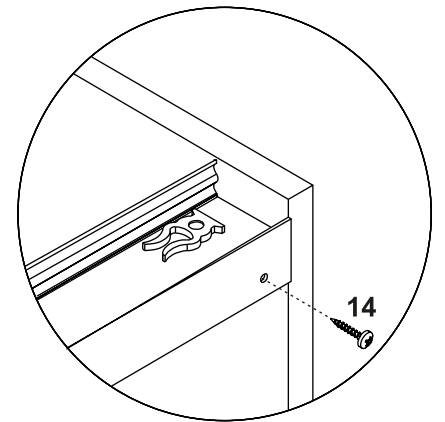
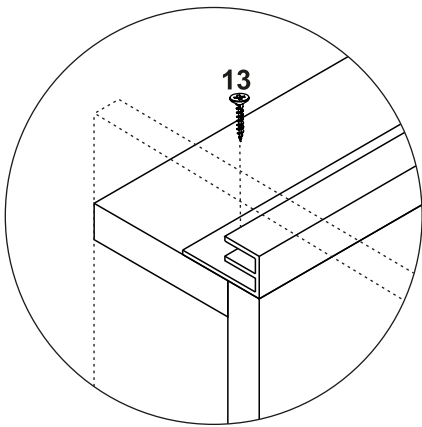
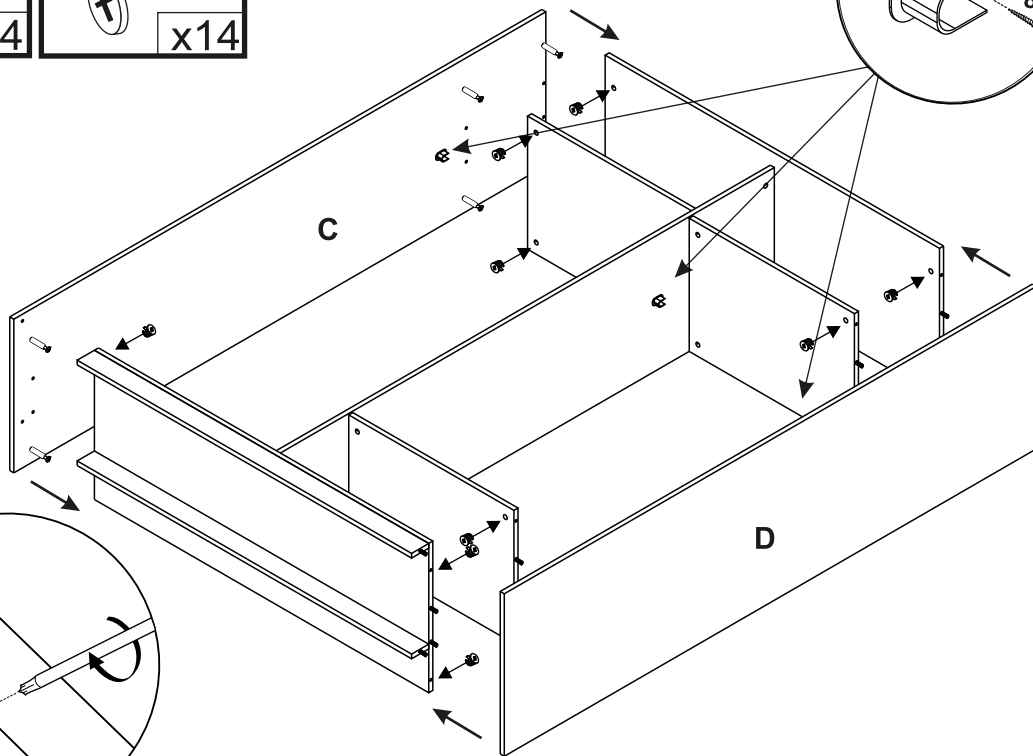
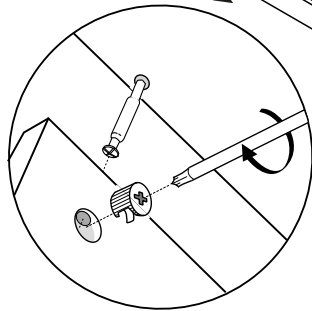
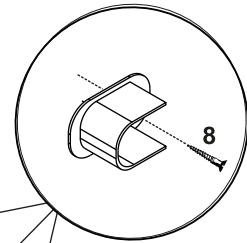
3

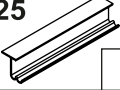





4



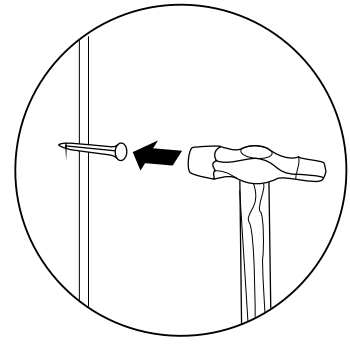
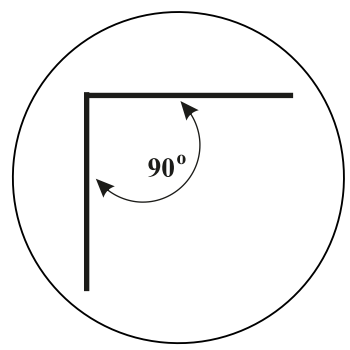
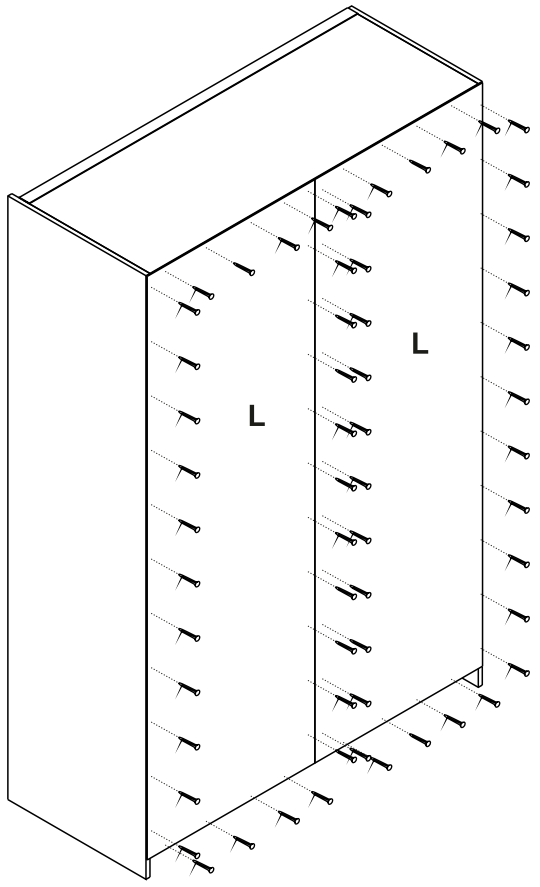
- | | | | |
|---|--------|---|-----|
| 8 | 3,5x15 | 6 | |
|  | x4 |  | x4 |
| 2 | | 4 | |
|  | x14 |  | x14 |



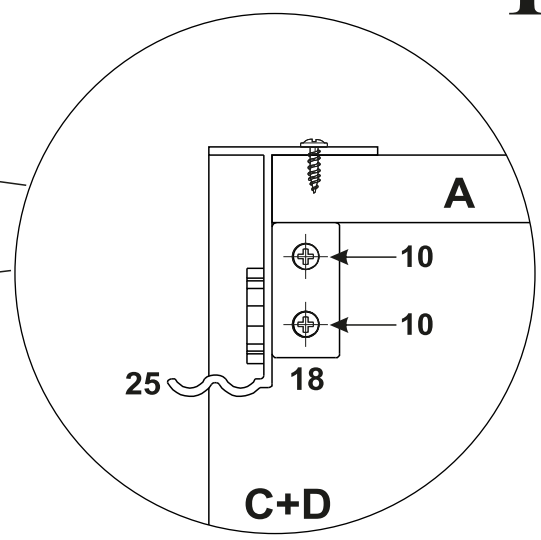
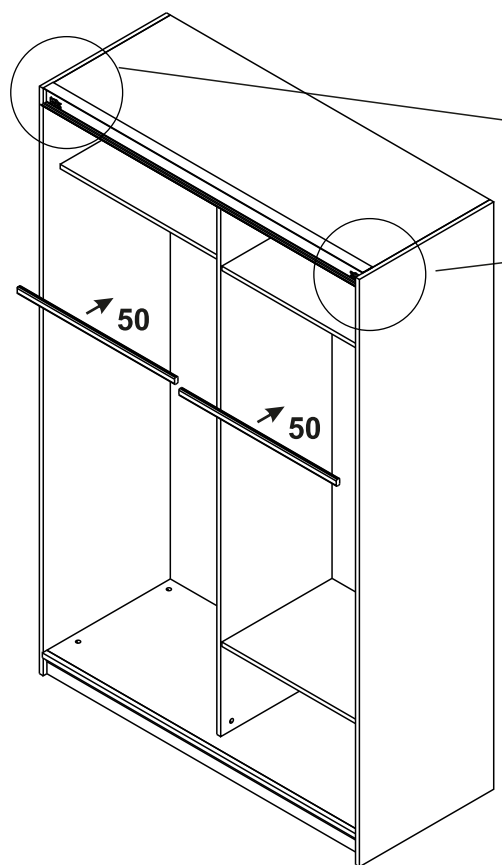
- | | | | |
|---|--------|---|--------|
| 25 | L=1320 | 26 | L=1320 |
|  | x1 |  | x1 |
| 13 | 3x16 | 14 | 4x12 |
|  | x5 |  | x5 |

9

5
x100



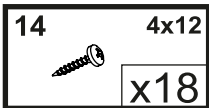
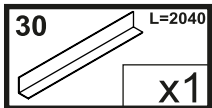
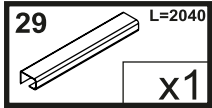
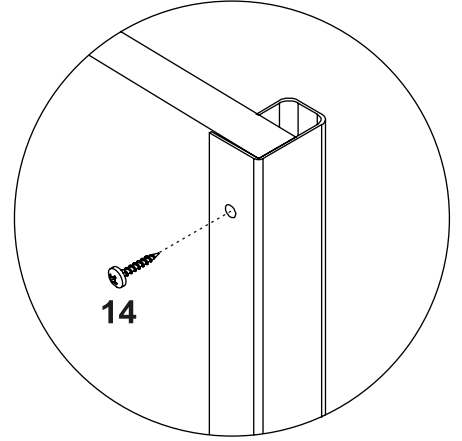
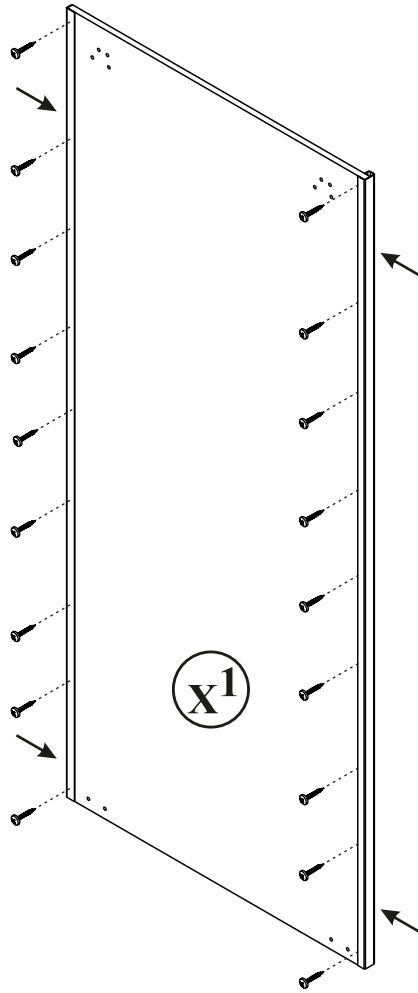
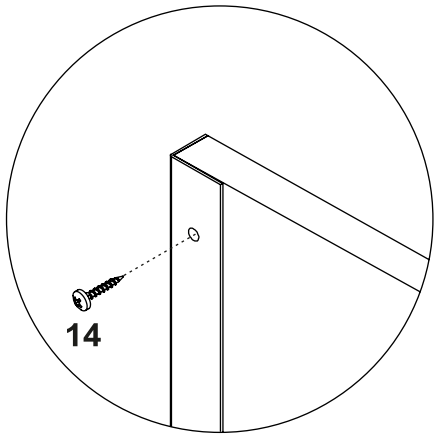
10



18
x2

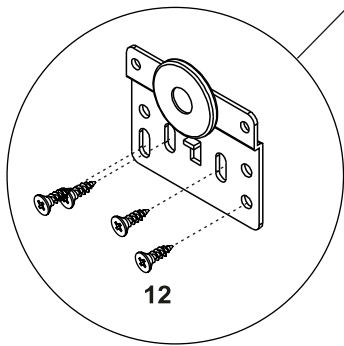
50 L=644
x2

10 3,5x22
x4

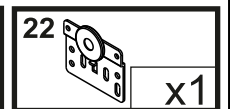
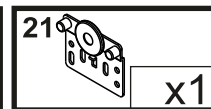
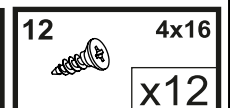
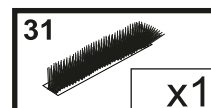
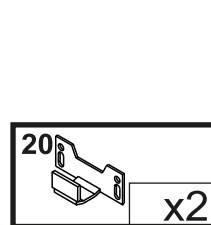
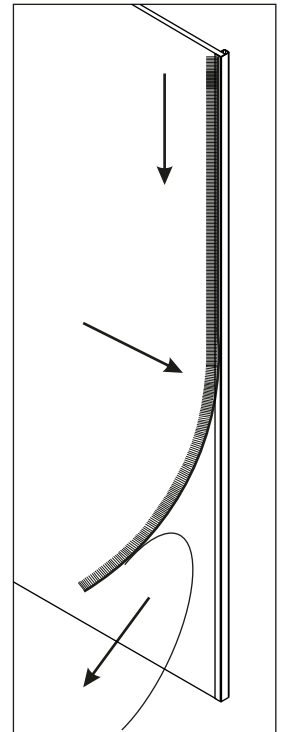
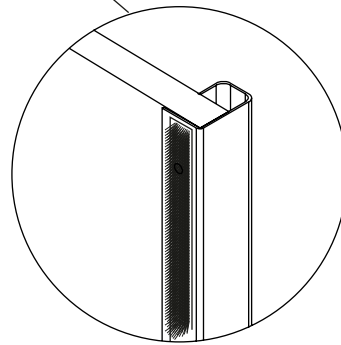
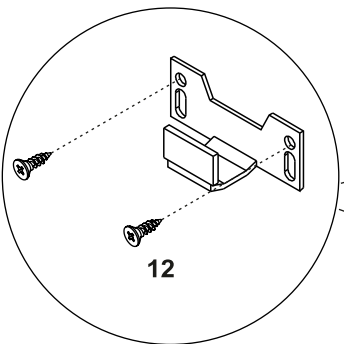
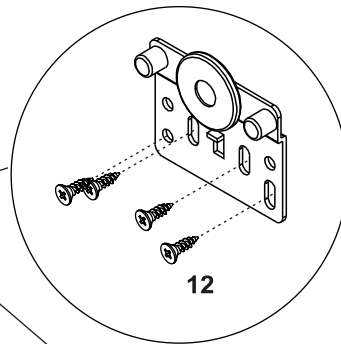


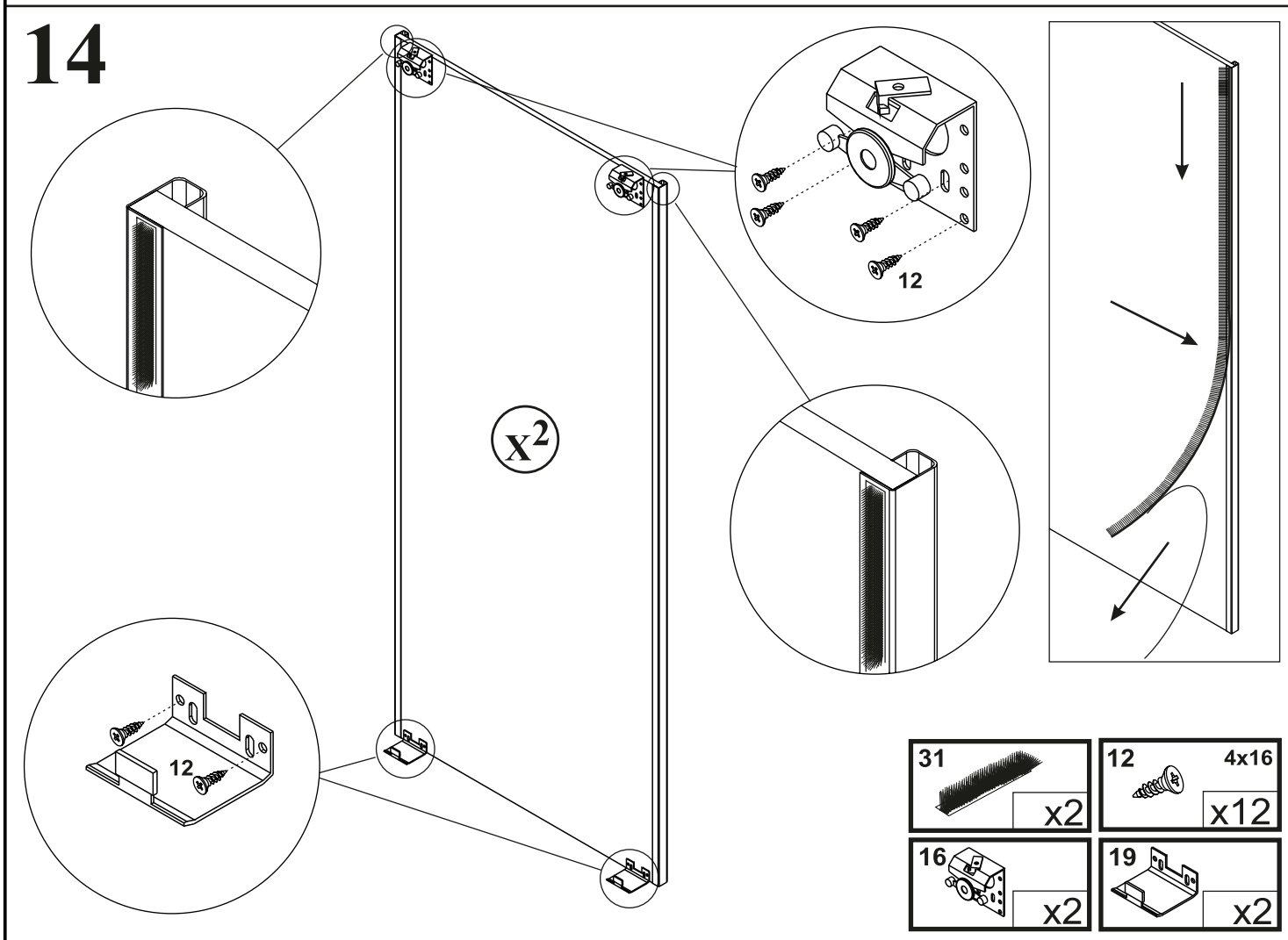
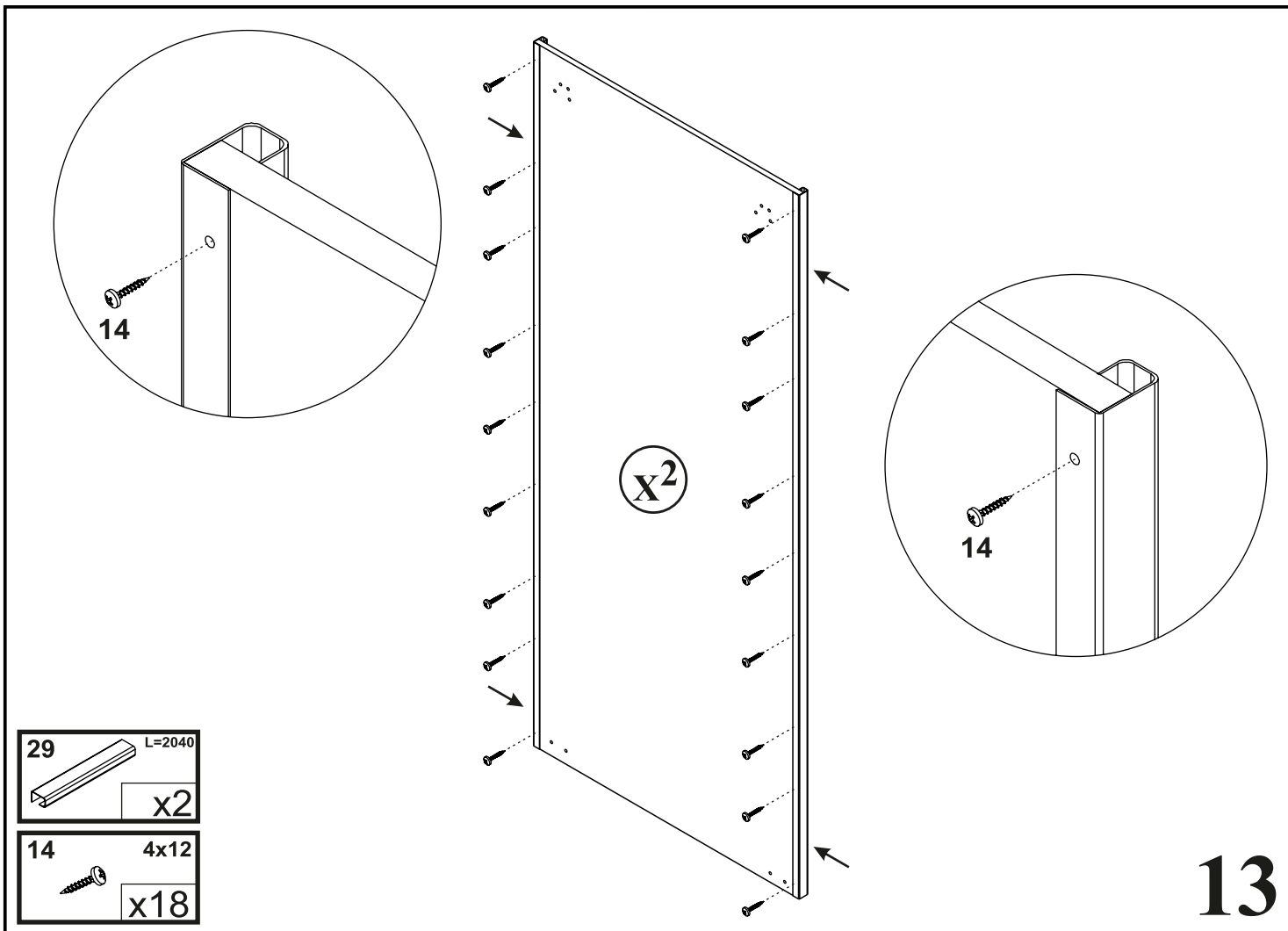
11

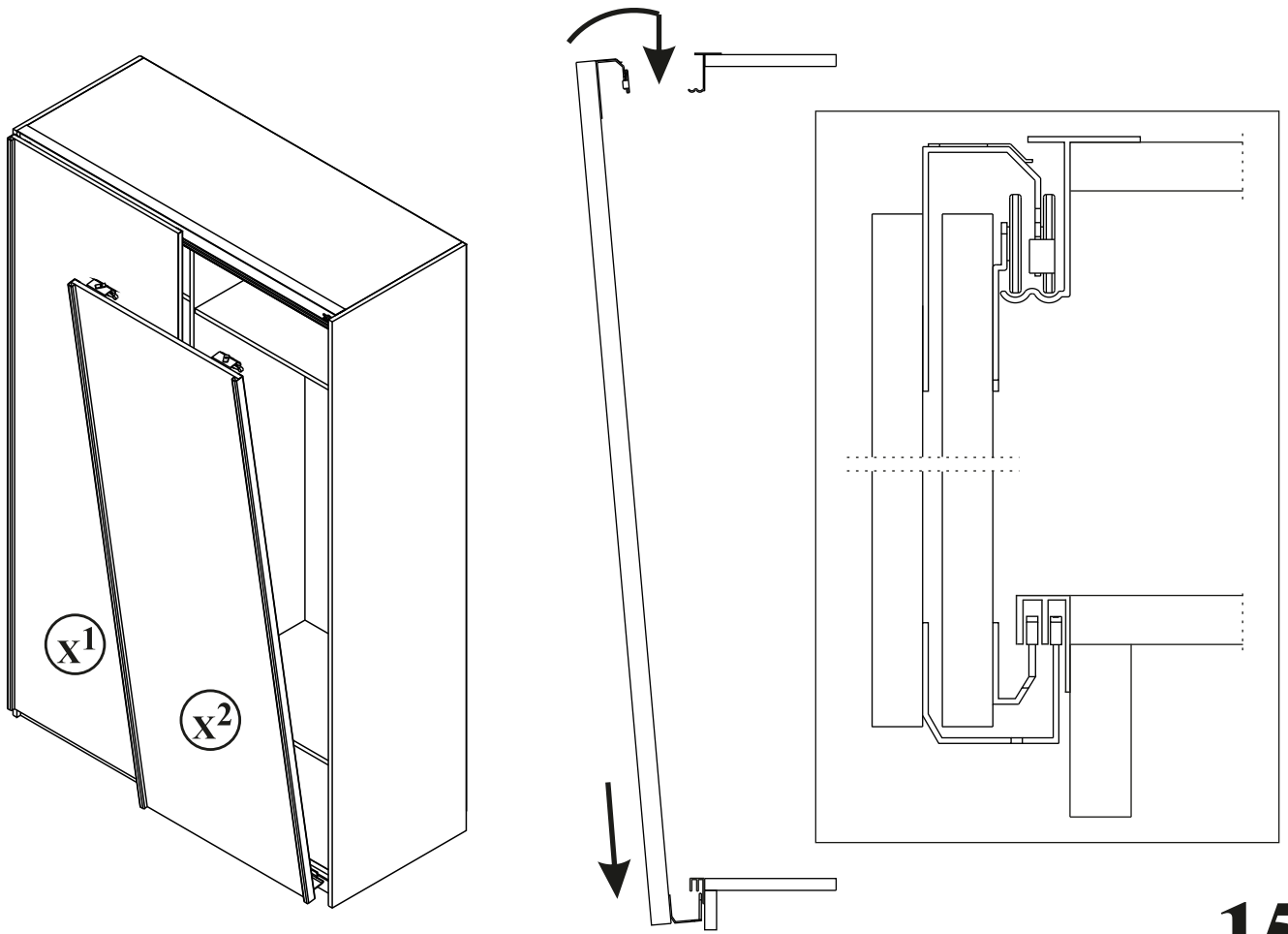
12



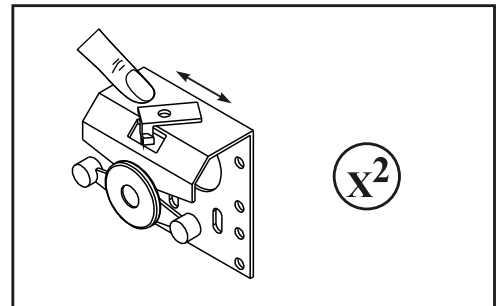
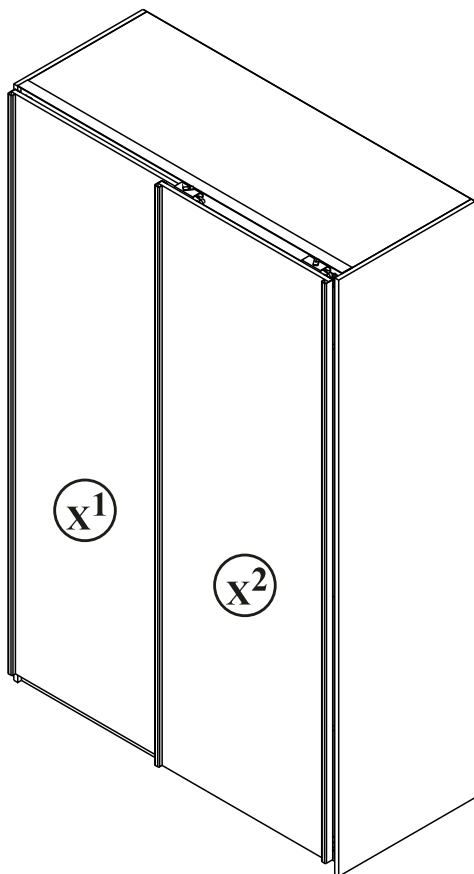
X1







15



16

