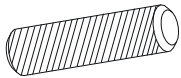
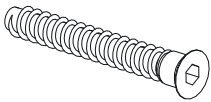
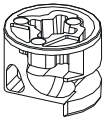


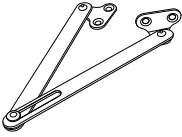
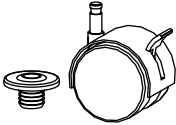
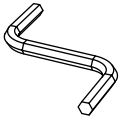
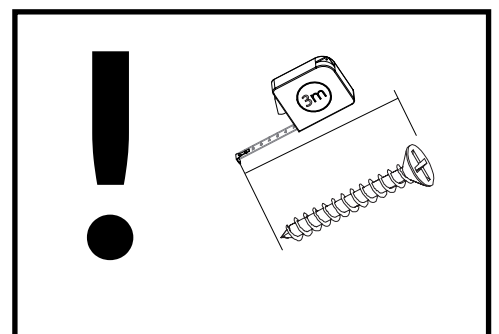










DROP 12

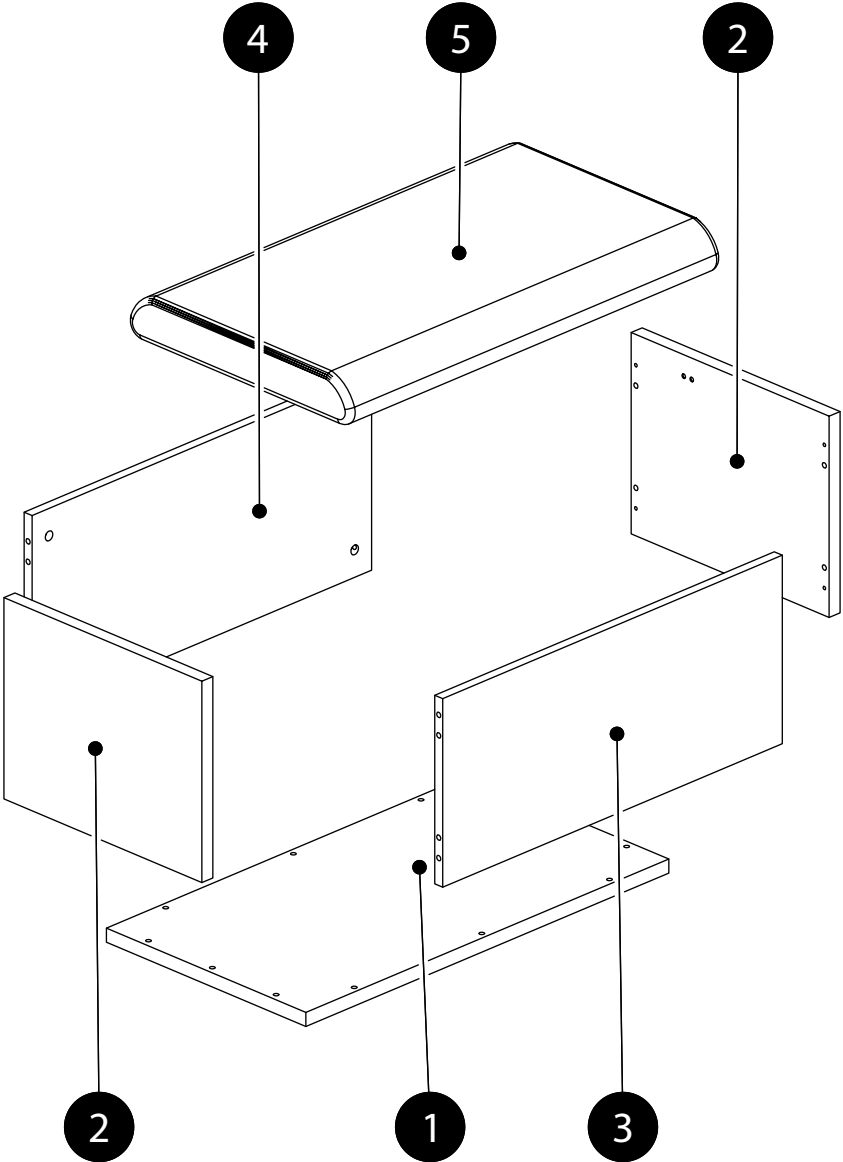
K1 x 8 8x32 	KT1 x 12 6,3x50 	B2 x 8 h-12 
ZJ1 x 8 L-43 	WT8 x 10 3x16 	RN x 1 
KOH x 4 	x 1 	

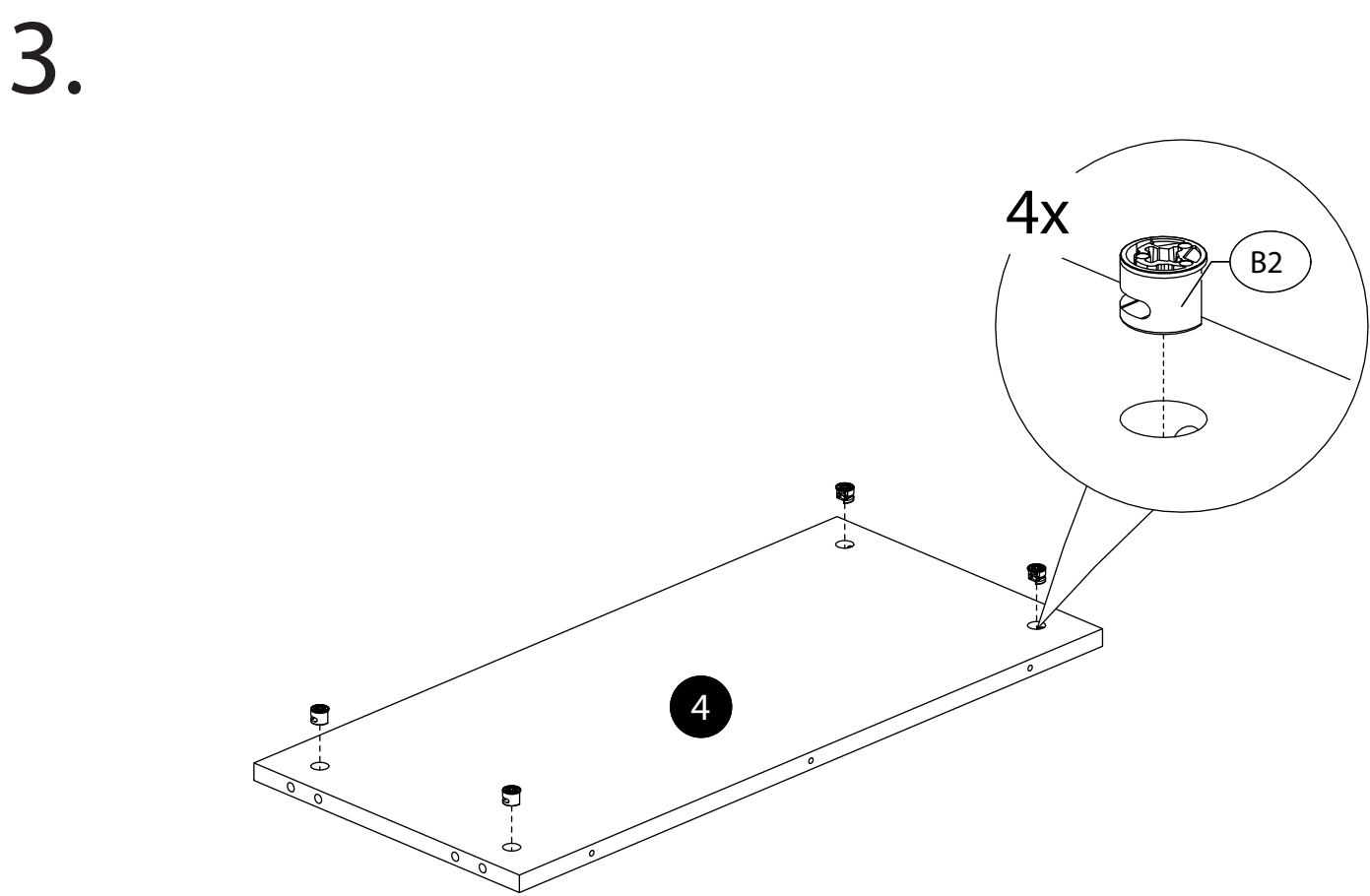
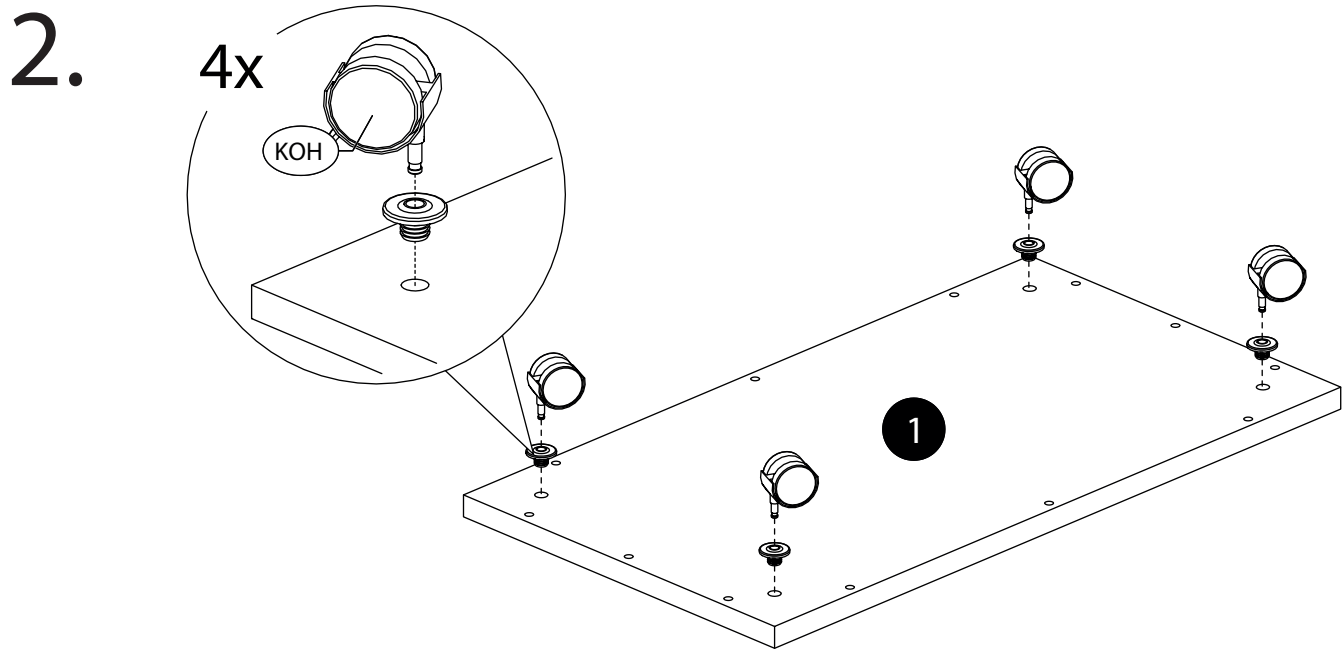
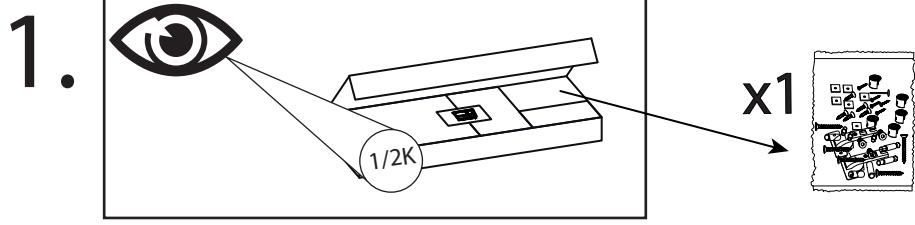


DROP 12

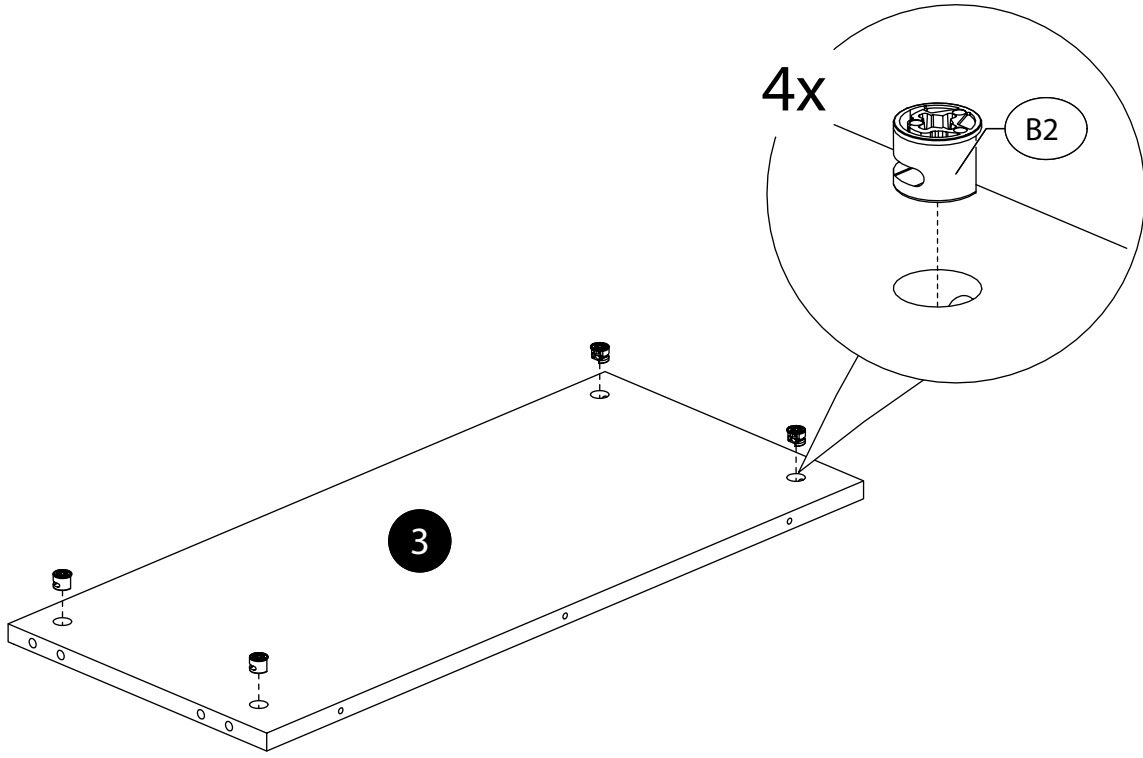
	CODE				
1	Drop12_01	728	400	1	1/2K
2	Drop12_02	315	397	2	1/2K
3	Drop12_03	681	295	1	1/2K
4	Drop12_04	681	310	1	1/2K
5	Drop12_05	745	447	1	2/2K
6					
7					
8					
9					
10					

	CODE				
11					
12					
13					
14					
15					
16					
17					
18					
19					
20					

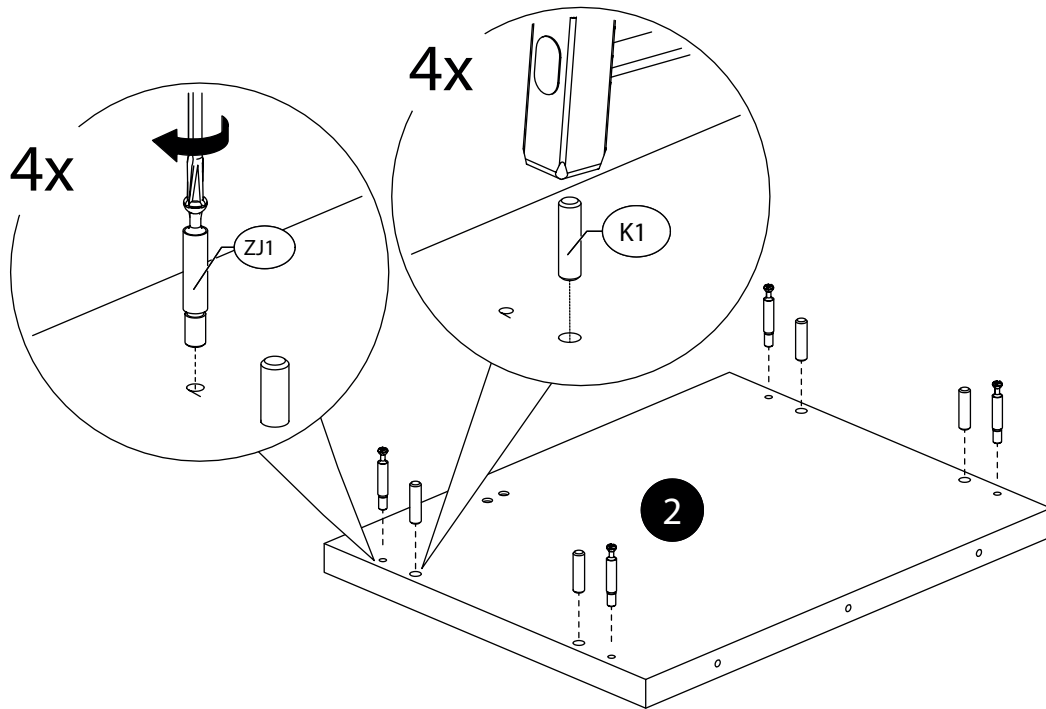




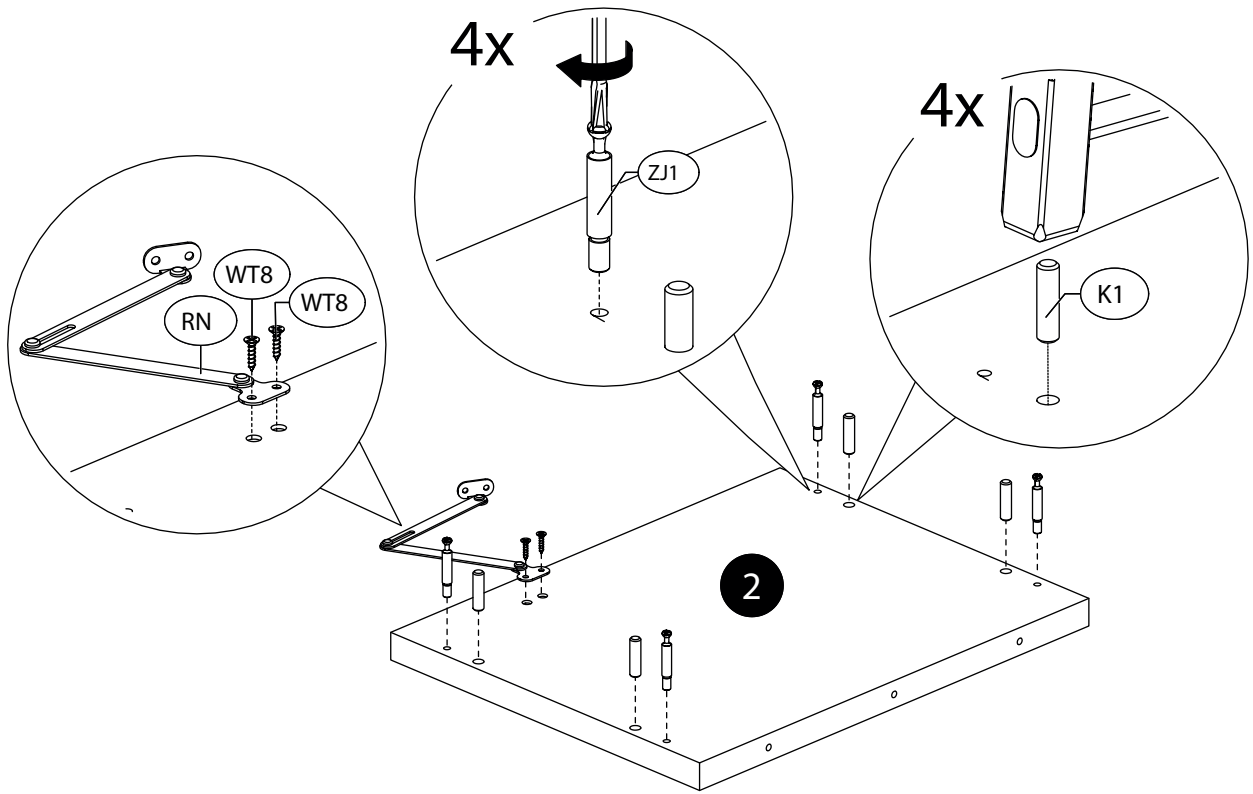
4.



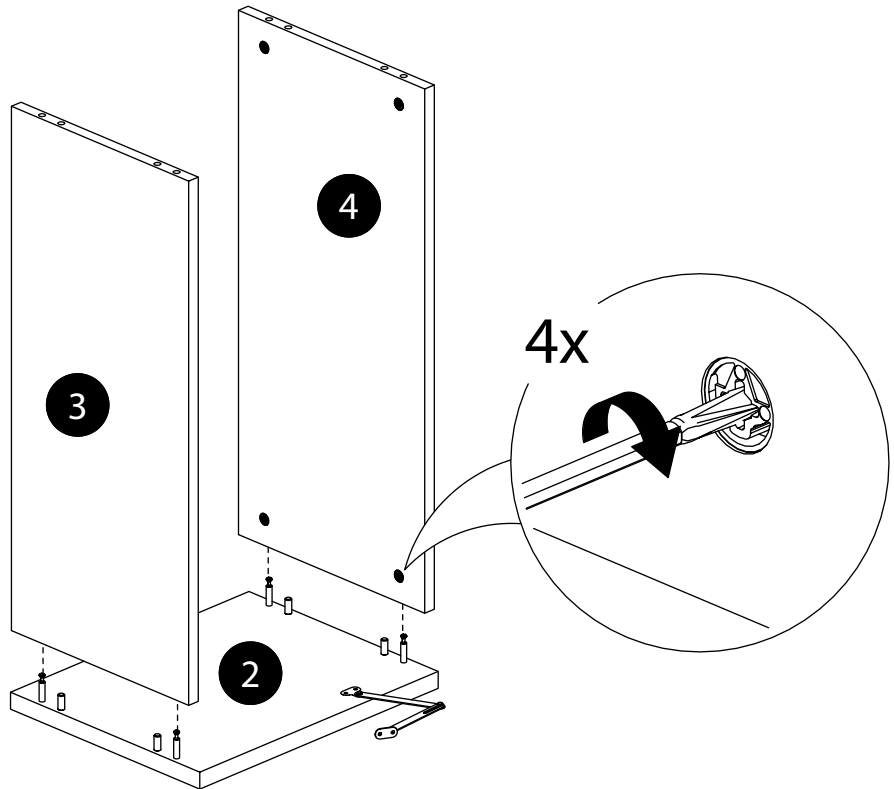
5.



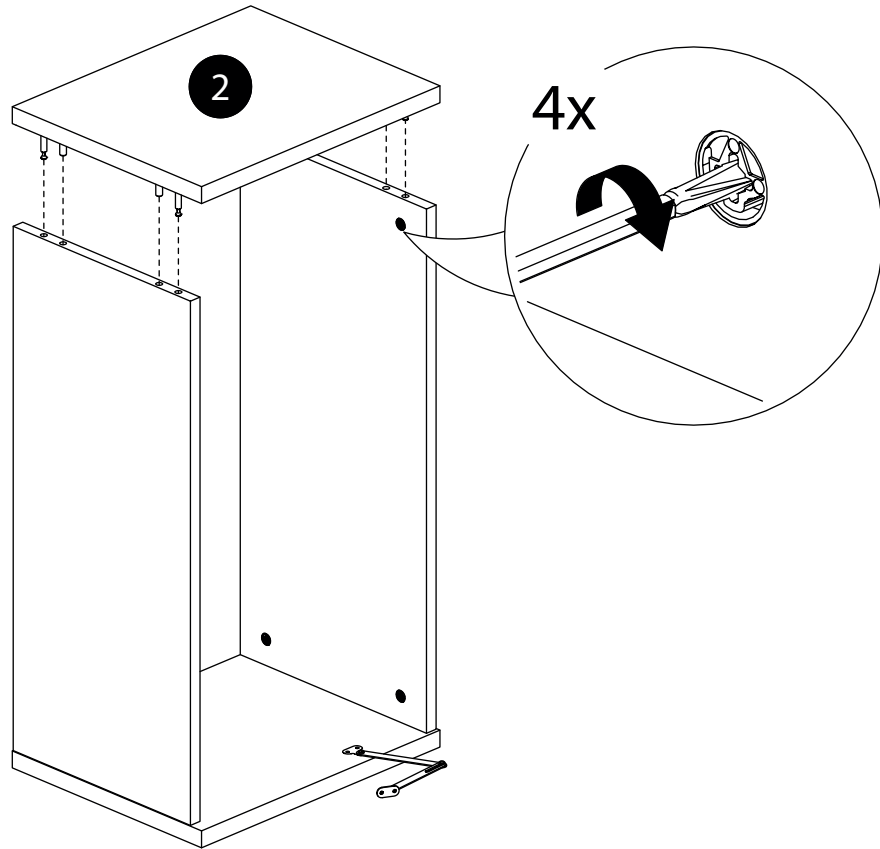
6.



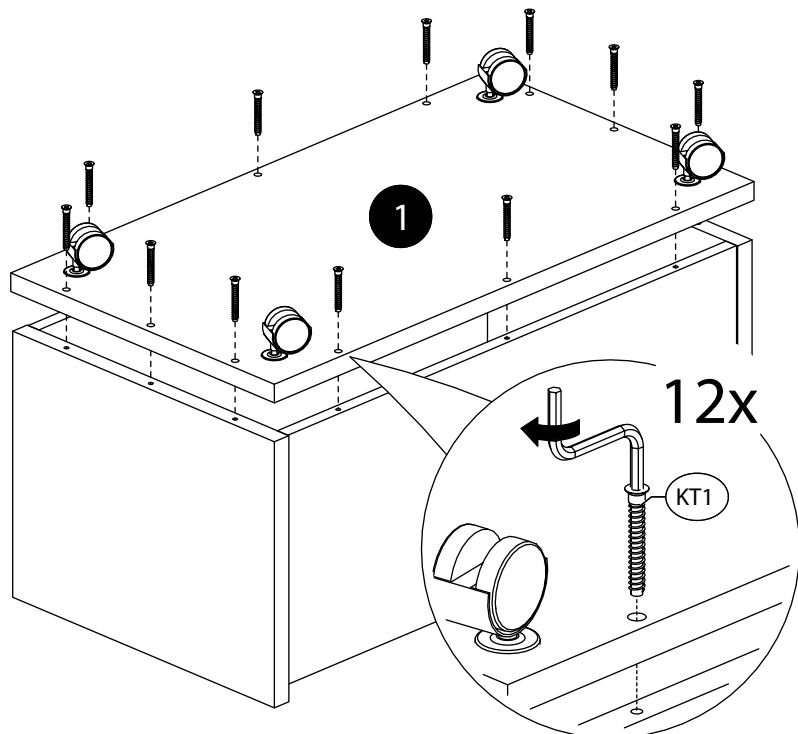
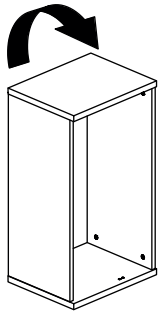
7.



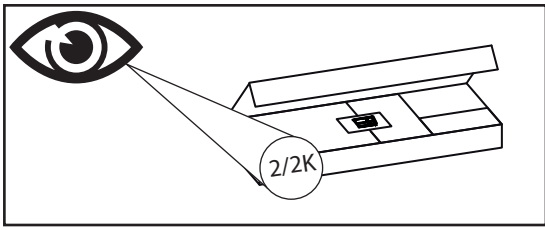
8.



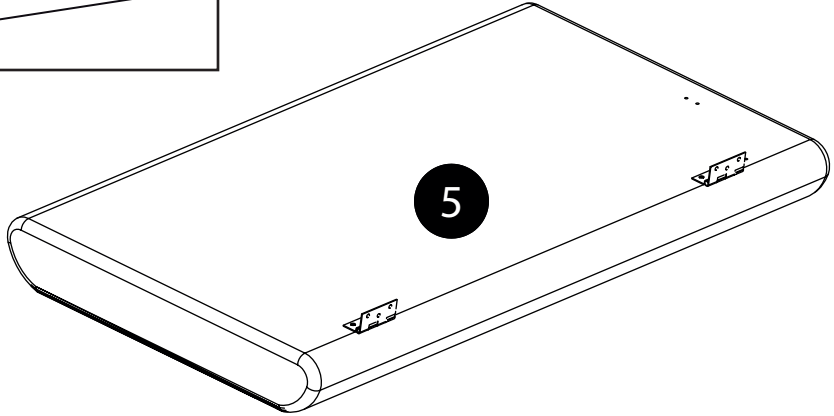
9.



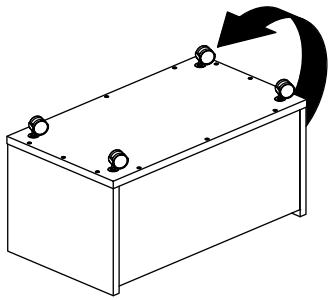
10.



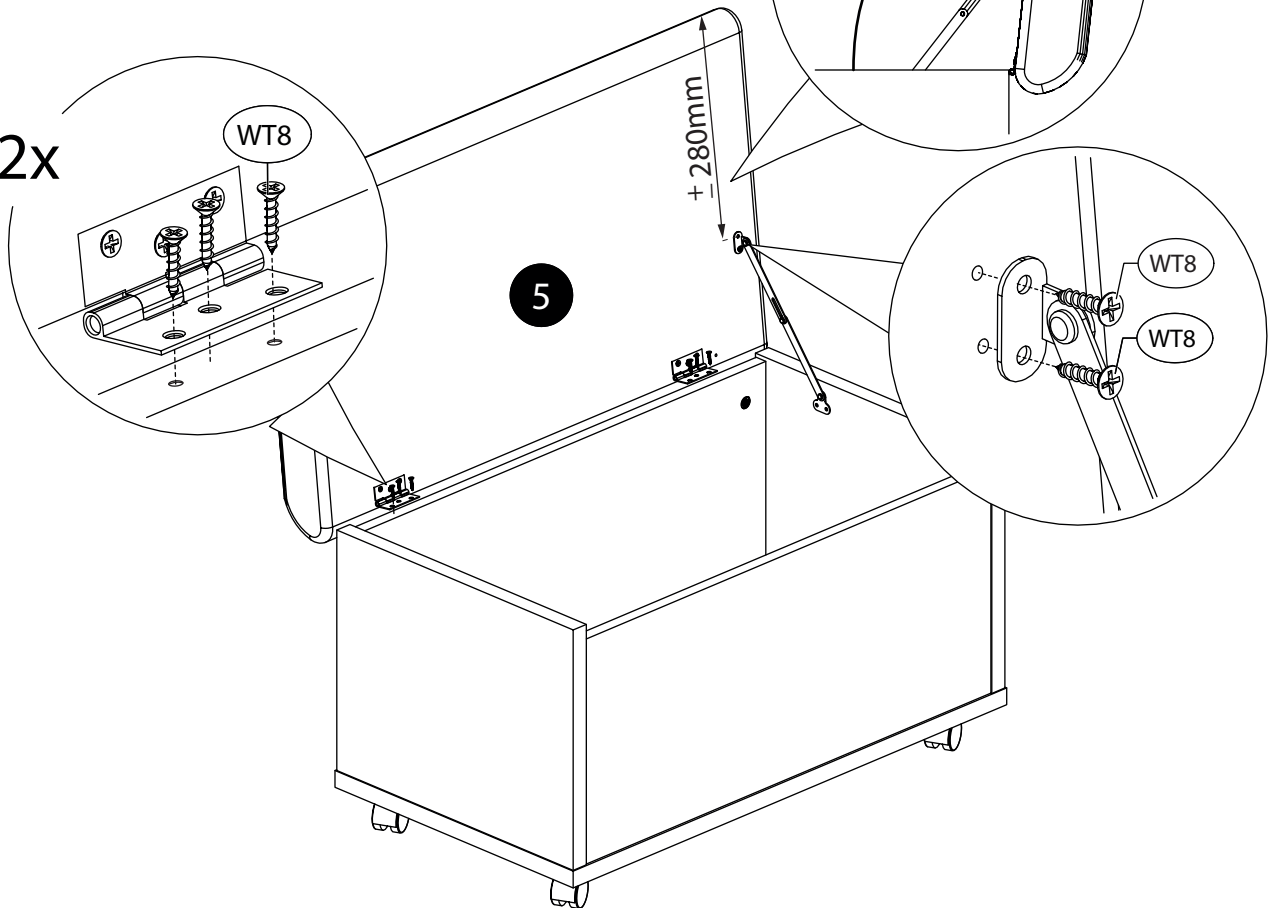
11.



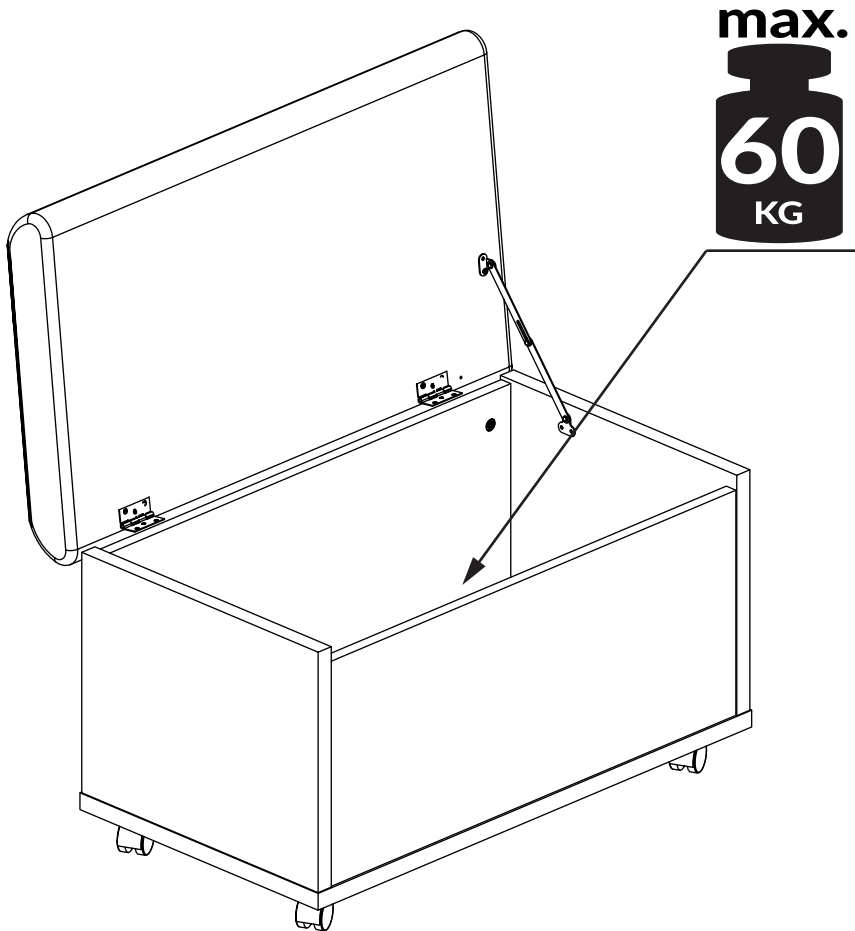
12.



2x



13.



14.

