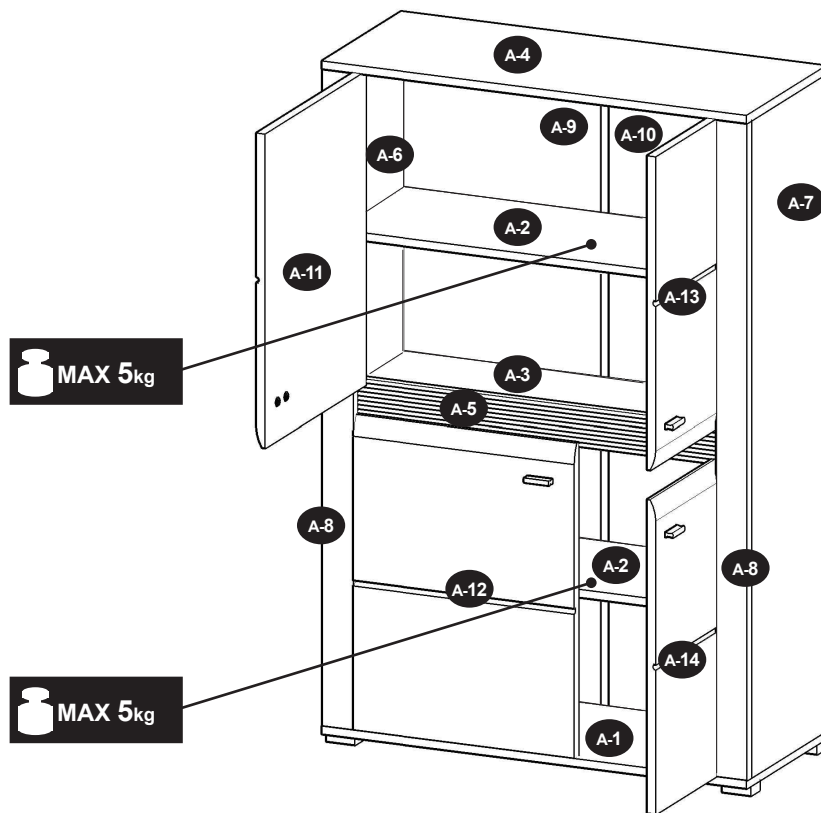
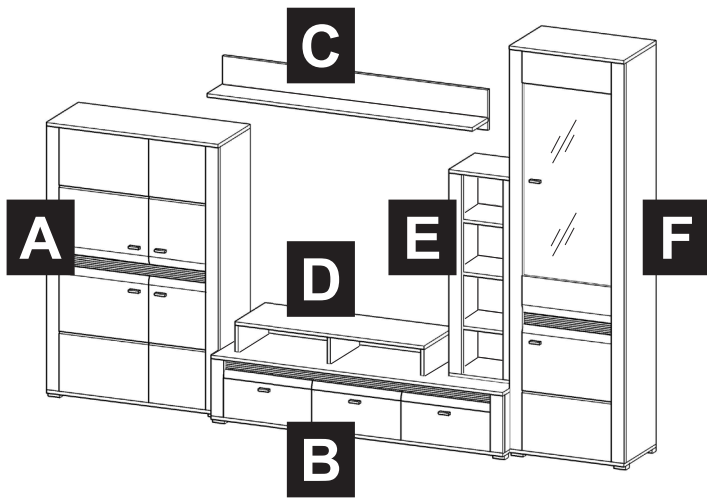
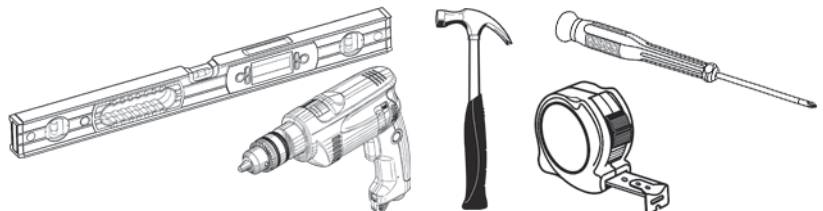
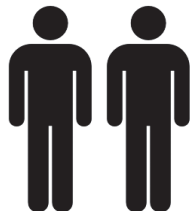


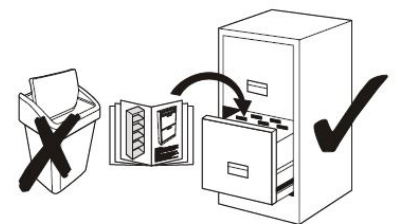
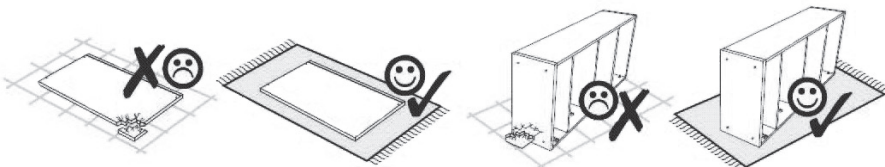
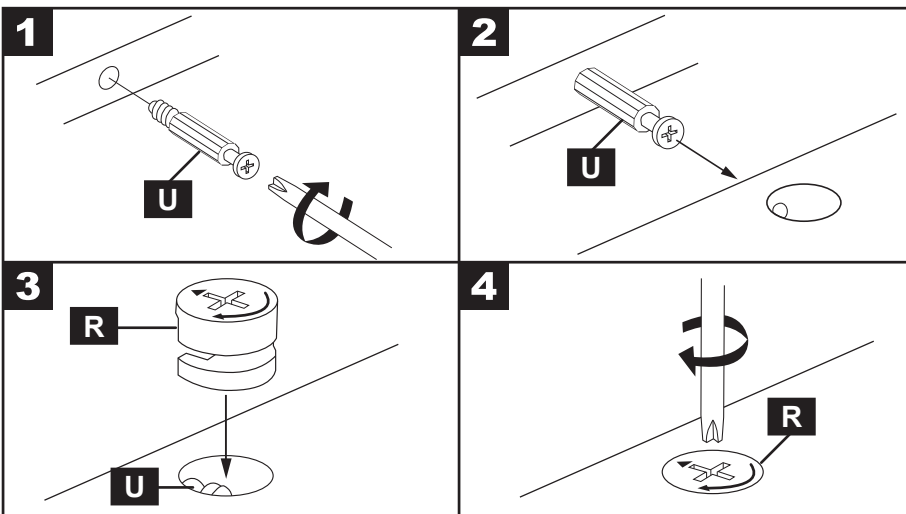
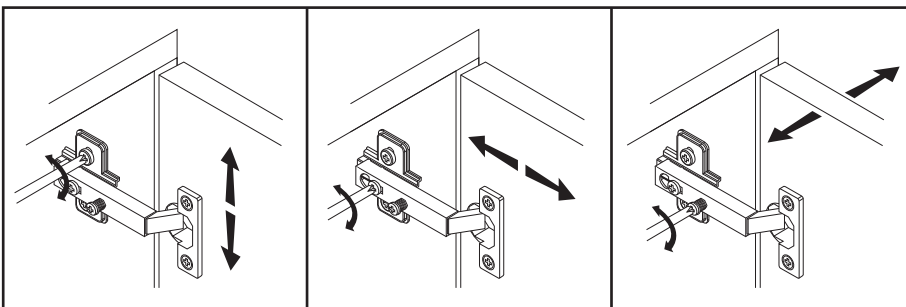
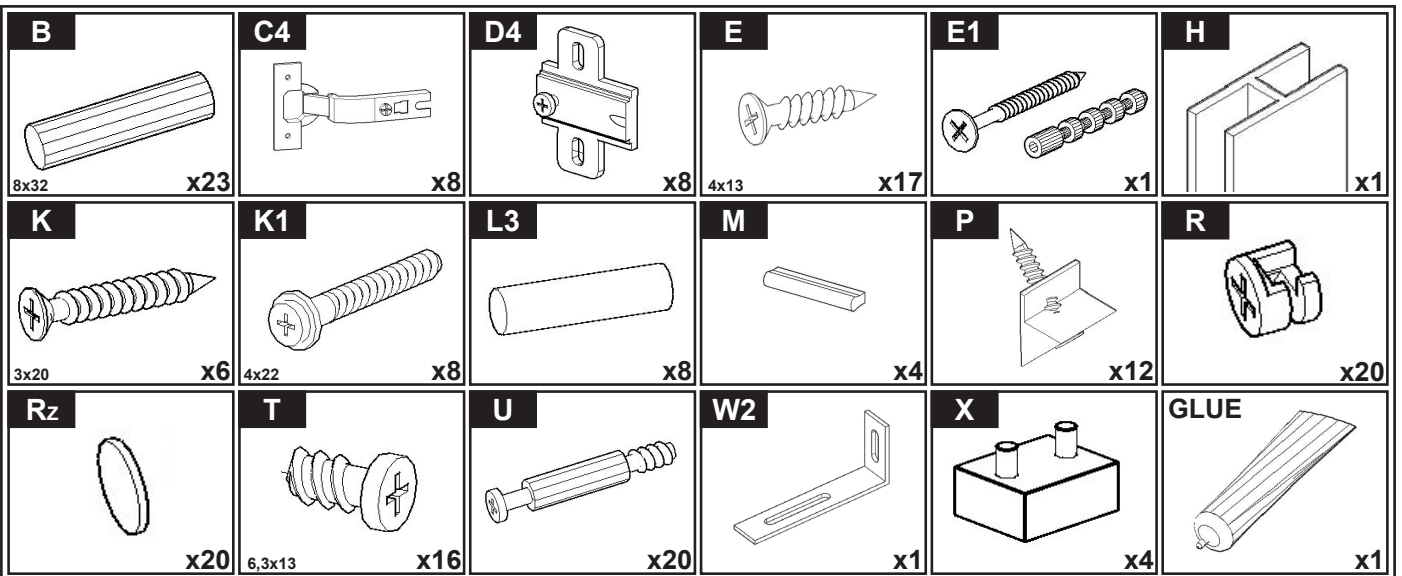
CAMPARI



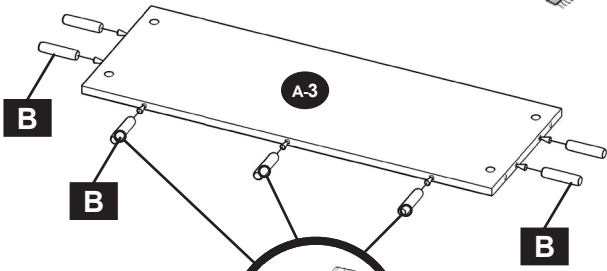
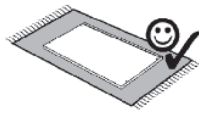
A

60 min.

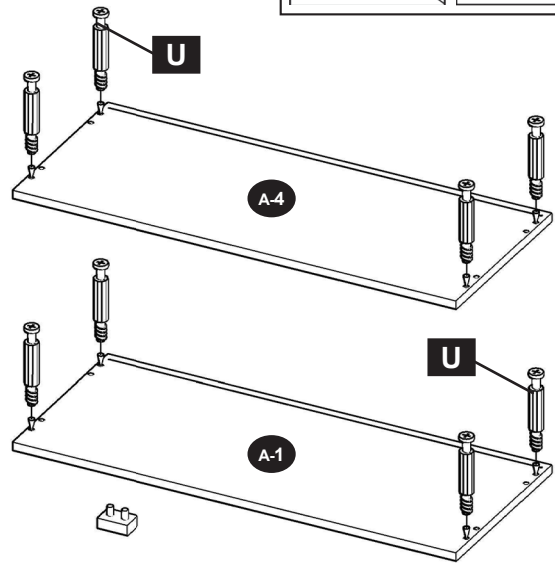
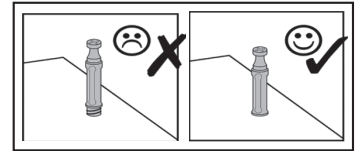




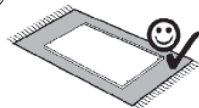
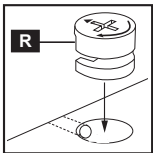
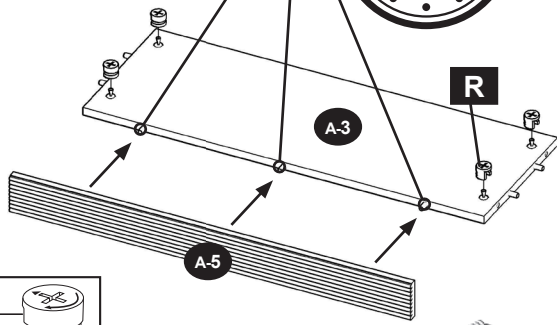
A1/13



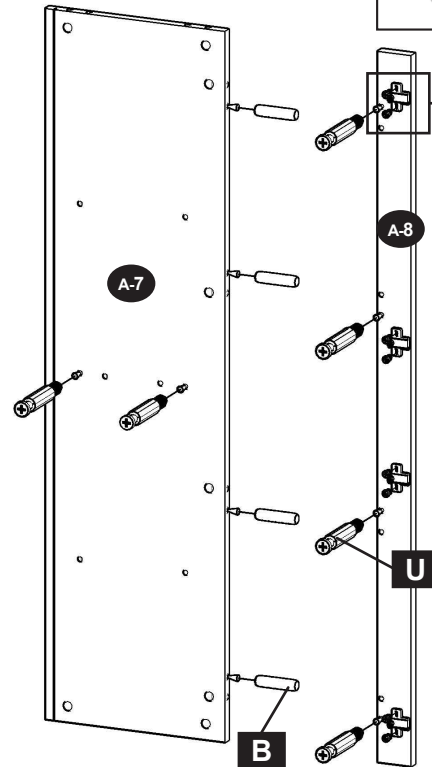
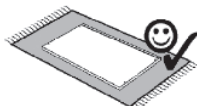
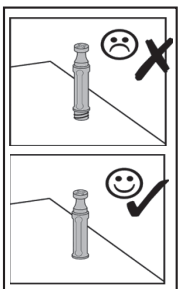
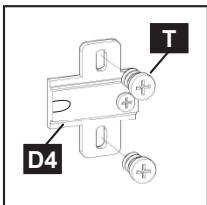
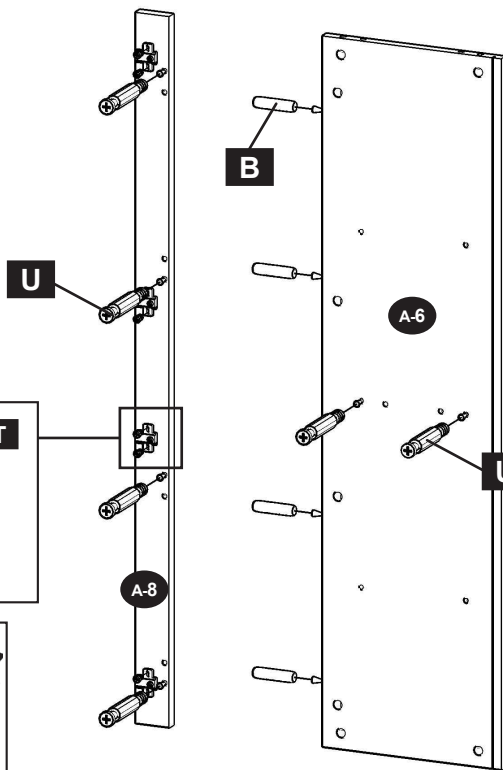
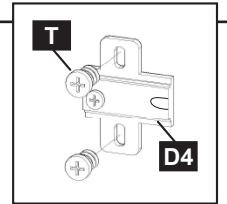
A3/13



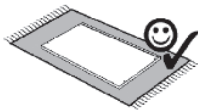
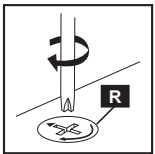
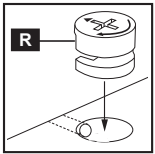
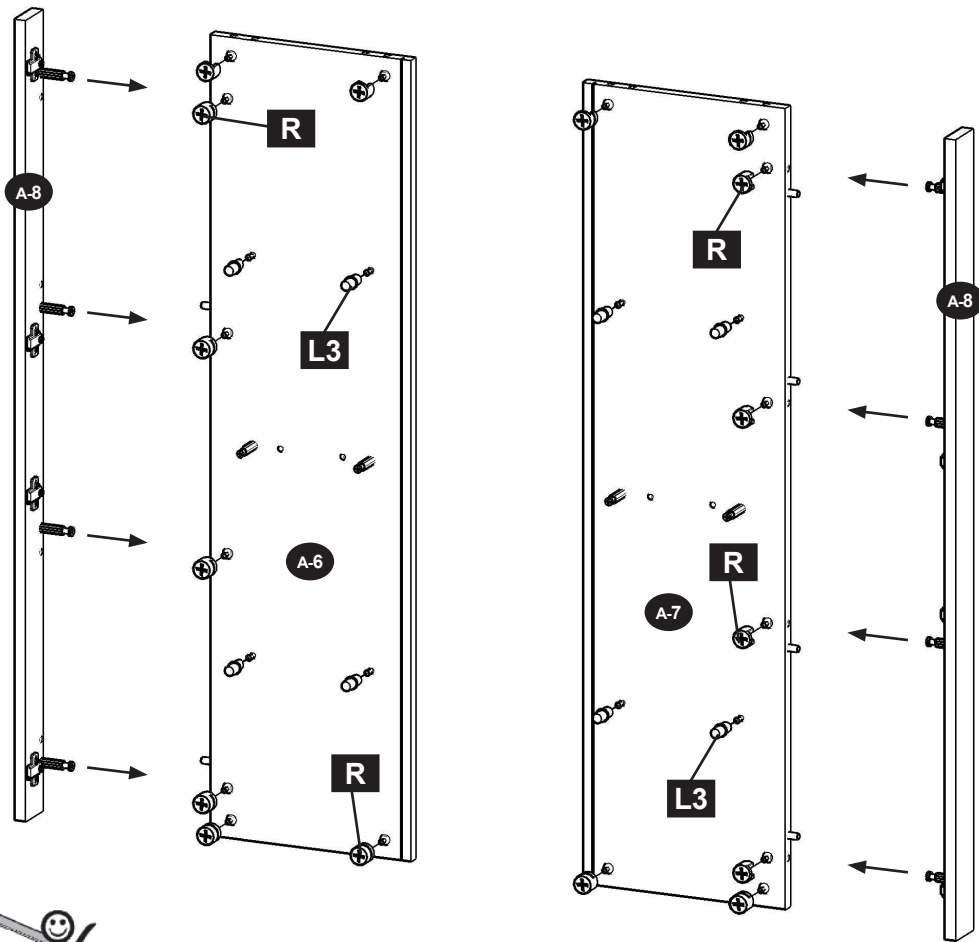
A2/13



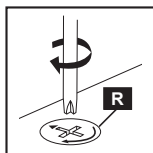
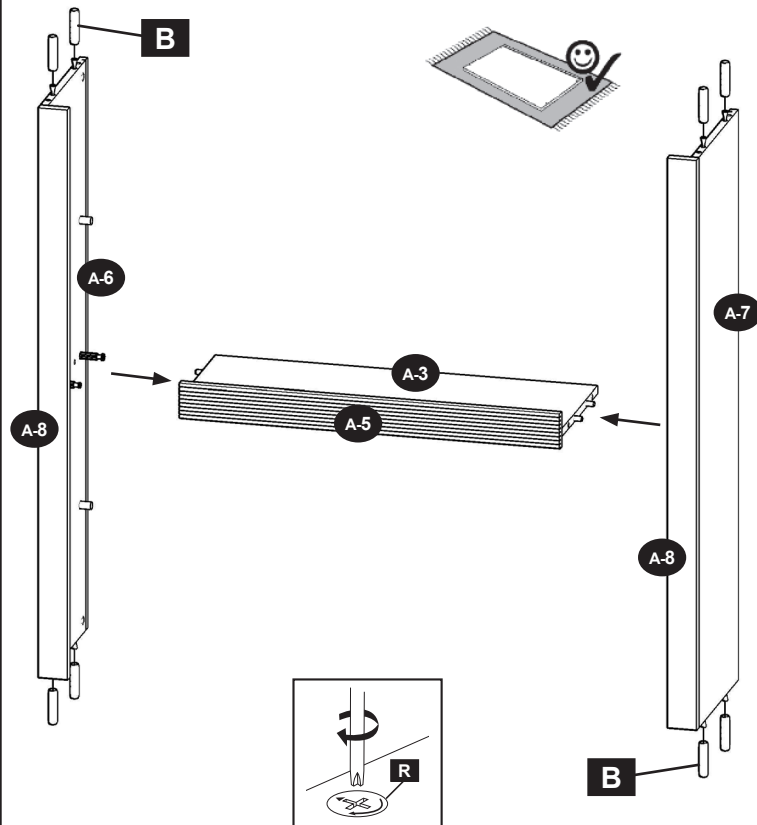
A4/13



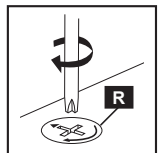
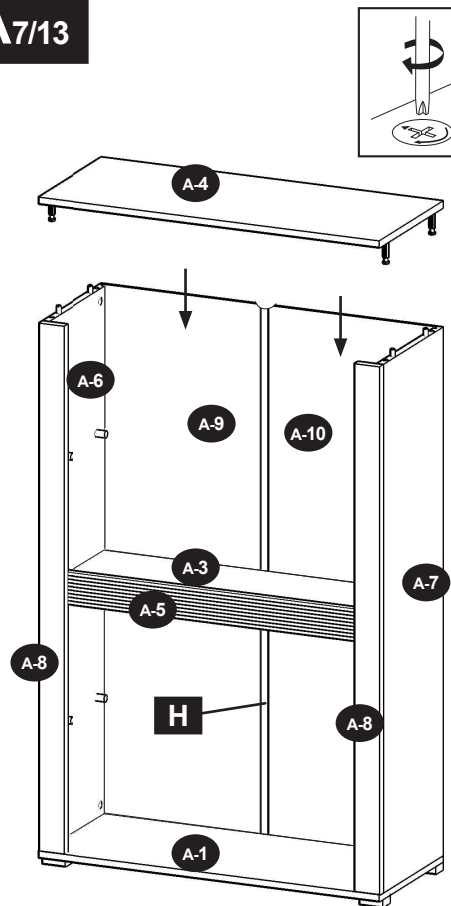
A5/13



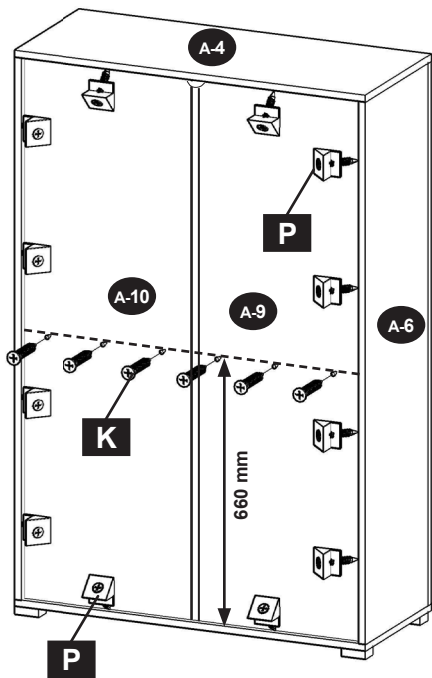
A6/13



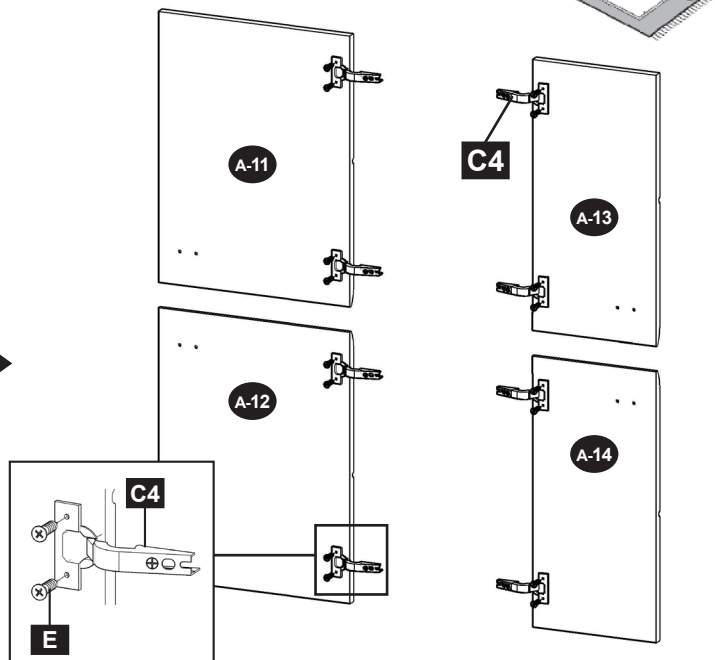
A7/13



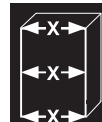
A8/13



A9/13

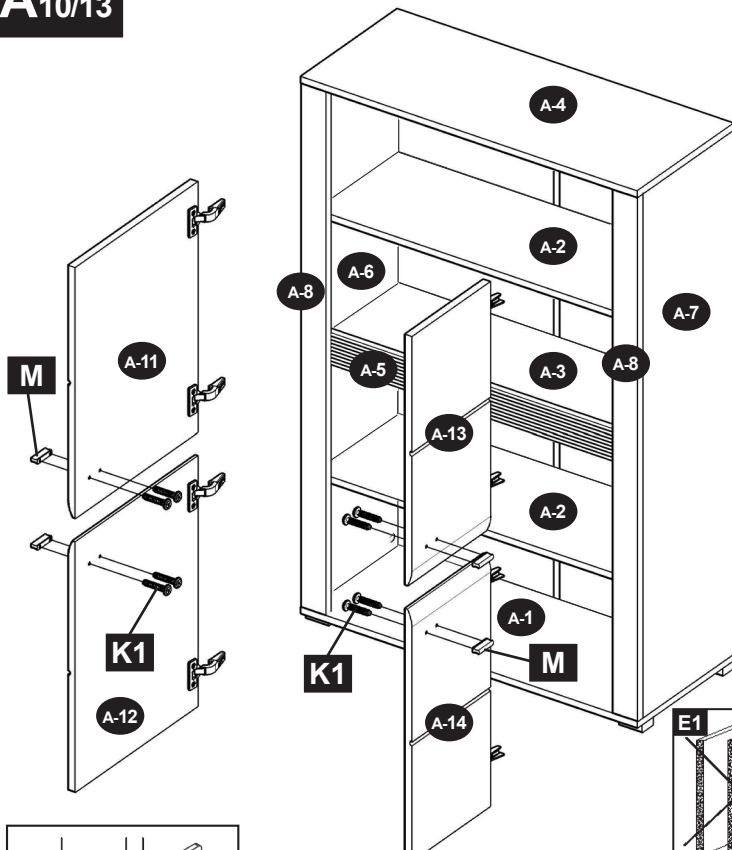


A=B

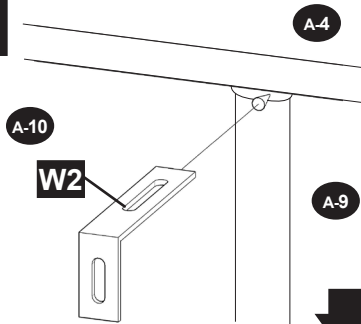


X=900mm

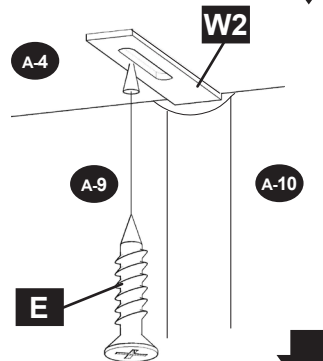
A10/13



A11/13



A12/13



A13/13

