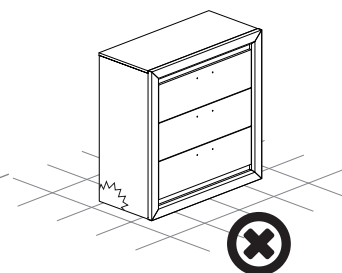
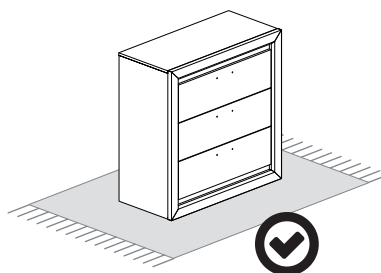
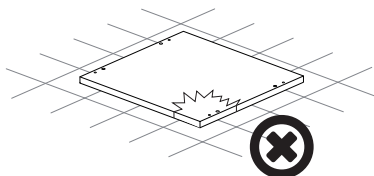
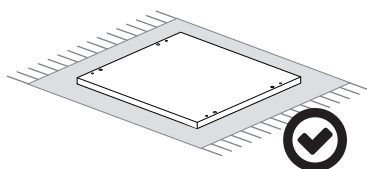
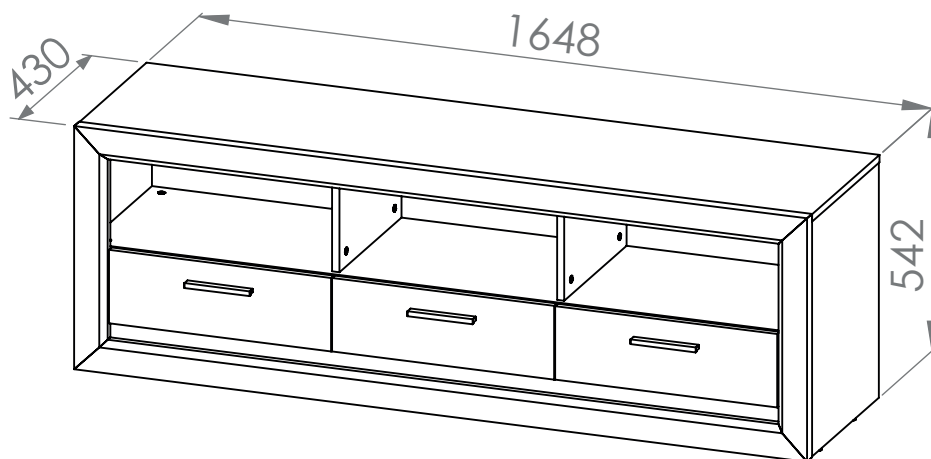
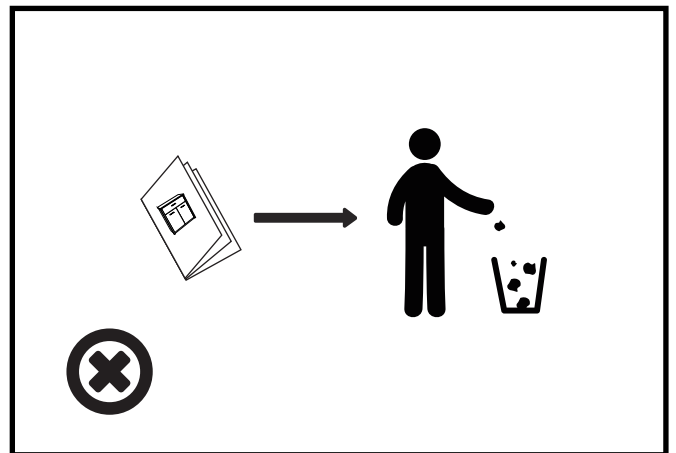
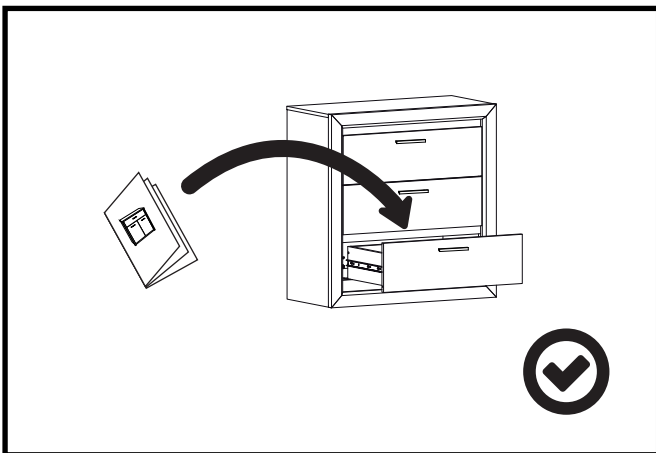
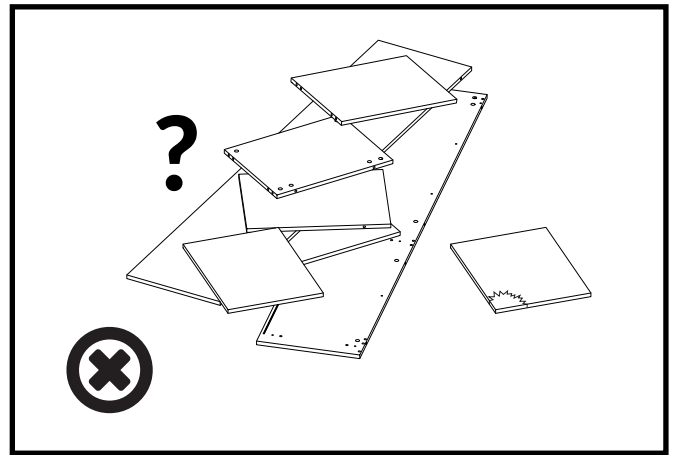
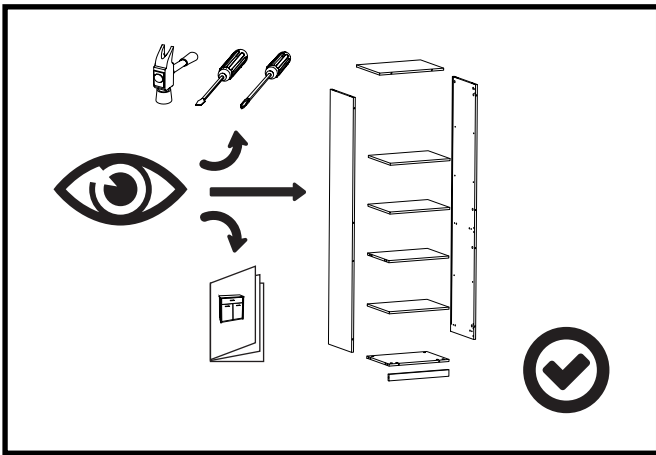
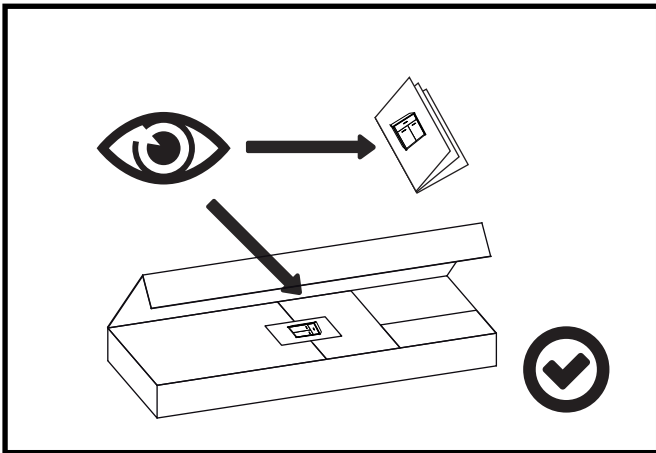


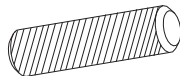
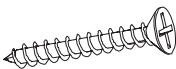
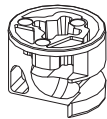
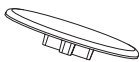
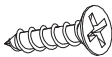


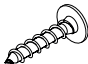

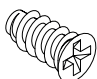

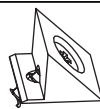
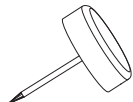

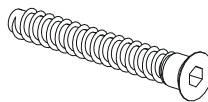
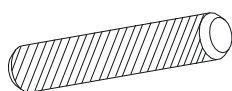


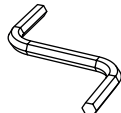
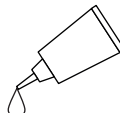
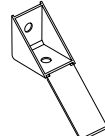


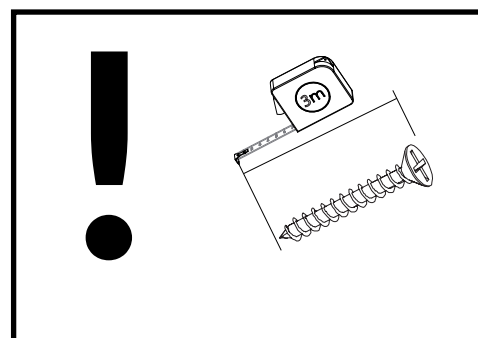
120 MIN





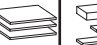




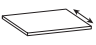
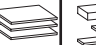

# BALTICA 12

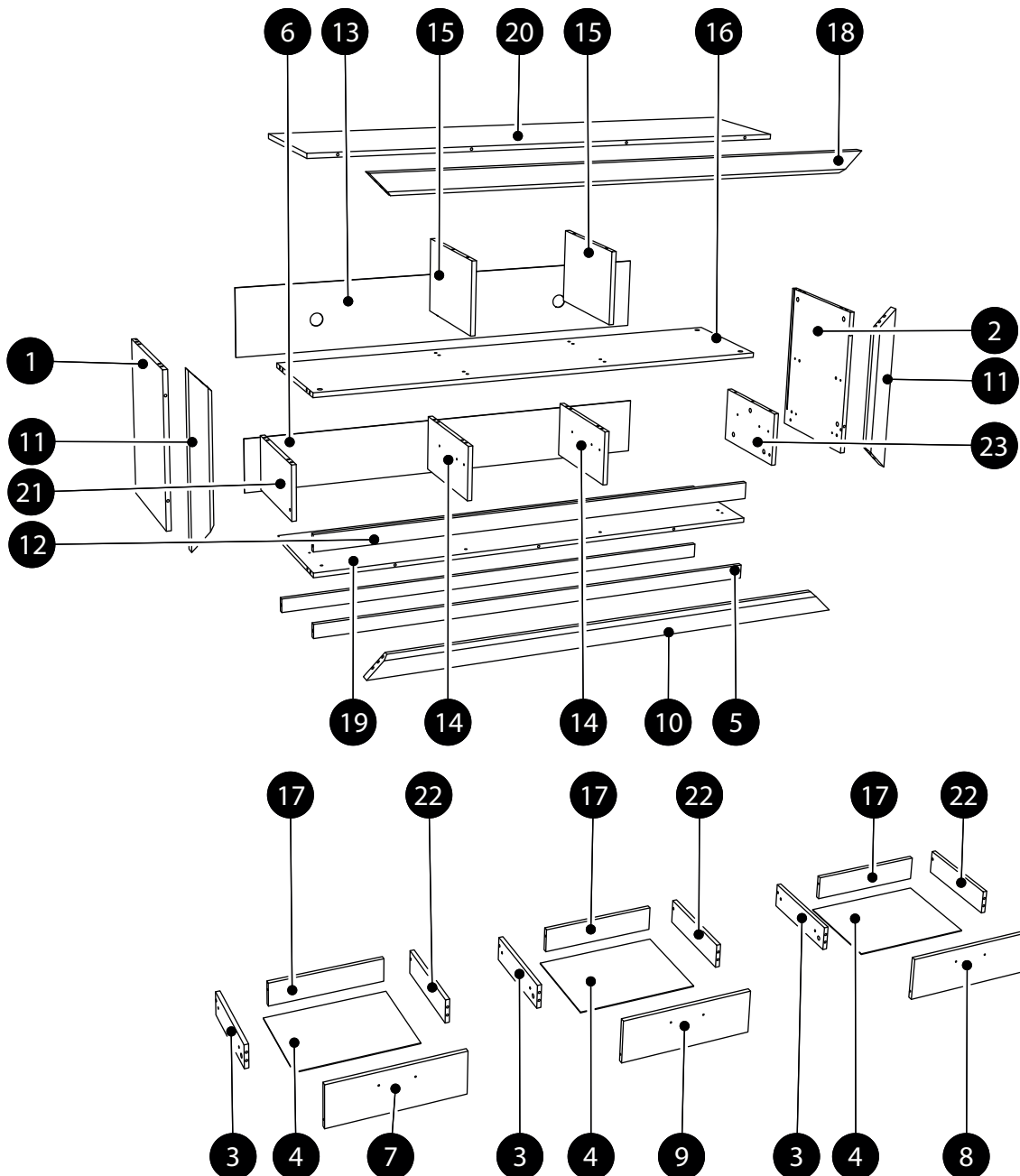
<p><b>K1</b> x 48 8x32</p> 	<p><b>WT18</b> x 6 4x30</p> 	<p><b>B2</b> x 55 h-12</p> 
<p><b>ZM1</b> x 16 Ø18</p> 	<p><b>WT1</b> x 4 3,5x15</p> 	<p><b>ZD1</b> x 4 L68</p> 
<p><b>ZJ1</b> x 39 L-43</p> 	<p><b>WT9</b> x 45 3x16</p> 	<p><b>KL</b> x 1</p> 
<p><b>WE7</b> x 18 ES6,3x13KBH</p> 	<p><b>GW1</b> x 30 1,4x25</p> 	<p><b>SP</b> x 8</p> 
<p><b>SG1</b> x 8</p> 	<p><b>U1T</b> x 3</p> 	<p><b>KT1</b> x 6 6,3x50</p> 
<p><b>K2</b> x 4 8x60</p> 	<p><b>ZD2</b> x 4 L76</p> 	<p><b>BR1</b> x 10 16x12x1</p> 
<p>x 1</p> 	<p><b>KL</b> x 1</p> 	<p><b>PO4</b> x 2</p> 



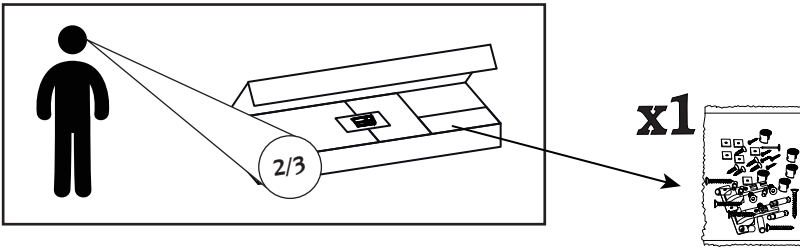
# BALTICA 12

	CODE				
1	Baltica12_03	526	400	1	2/3
2	Baltica12_04	526	400	1	2/3
3	Baltica12_14	92	350	3	2/3
4	Baltica12HDF_01	462	355	3	1/3
5	Baltica12_09	1613	50	2	1/3
6	Baltica12HDF_03	1623	214	1	1/3
7	Baltica12_10	499	164	1	1/3
8	Baltica12_11	499	164	1	1/3
9	Baltica12_12	499	164	1	1/3
10	Baltica12_21	1648	70	1	3/3
11	Baltica12_18	543	70	2	3/3

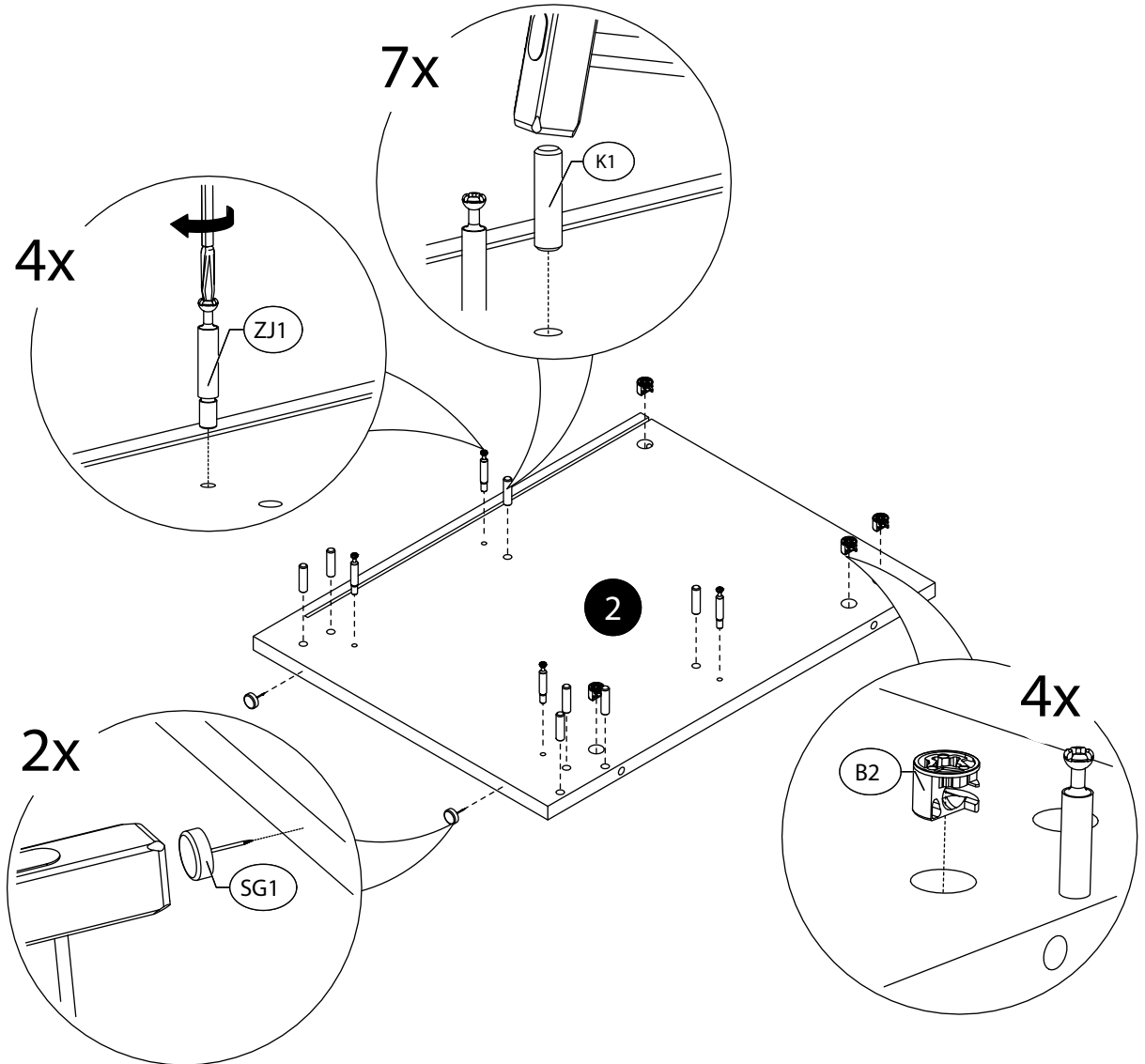
	CODE				
12	Baltica12_17	1613	60	1	1/3
13	Baltica12HDF_02	1623	265	1	1/3
14	Baltica12_07	192	369	2	2/3
15	Baltica12_08	252	370	2	2/3
16	Baltica12_16	1613	385	1	1/3
17	Baltica12_15	92	433	3	1/3
18	Baltica12_20	1648	70	1	3/3
19	Baltica12_02	1613	385	1	1/3
20	Baltica12_01	1648	400	1	1/3
21	Baltica12_06	192	342	1	2/3
22	Baltica12_13	92	350	3	2/3
23	Baltica12_05	192	342	1	2/3



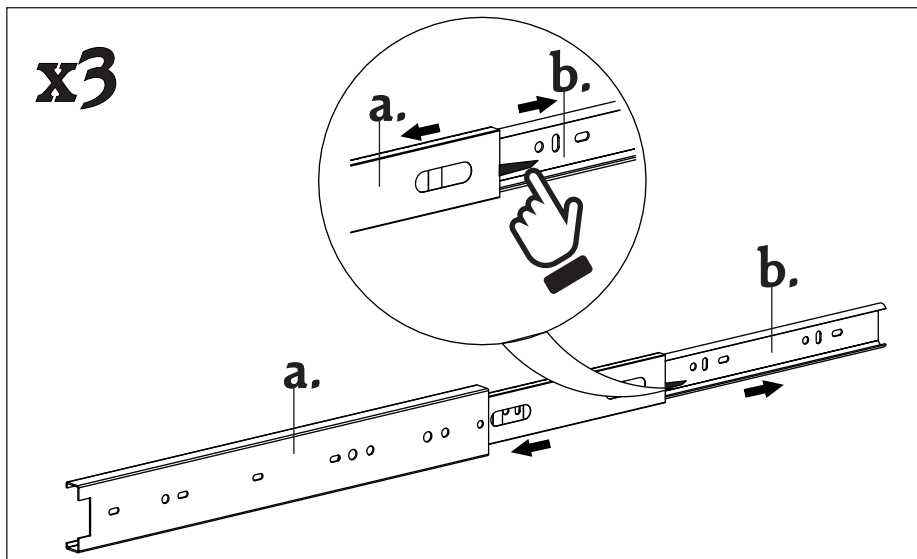
1.



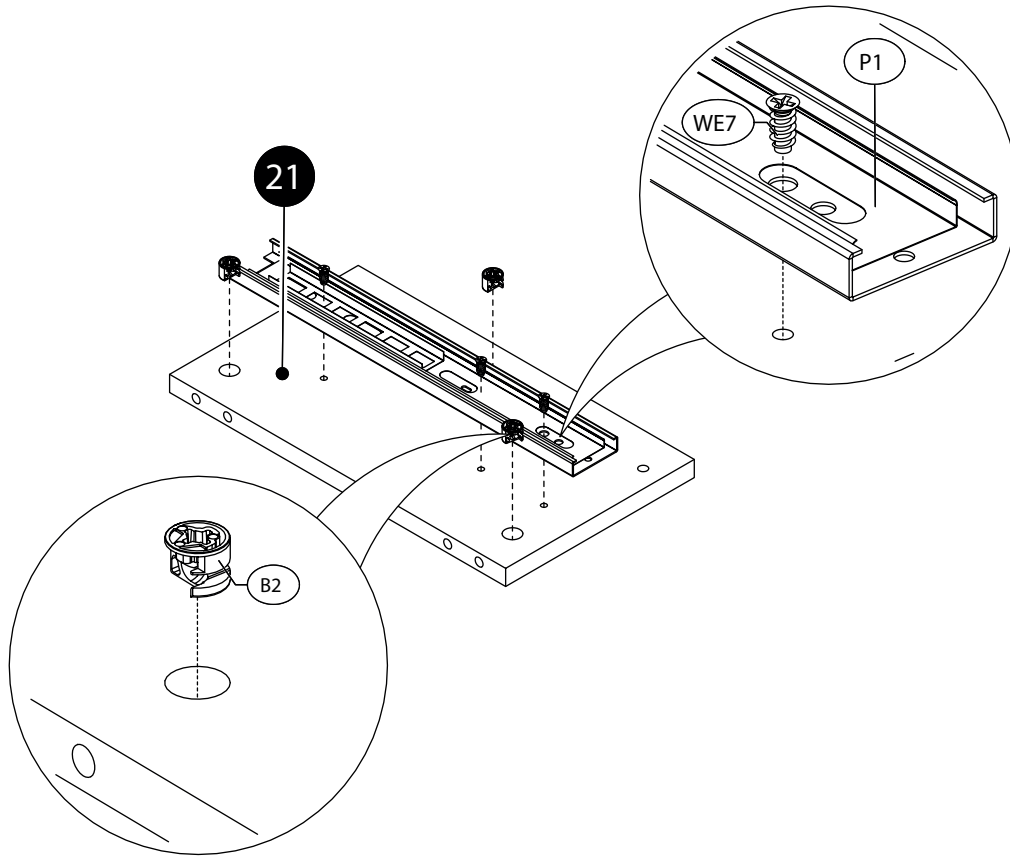
2.



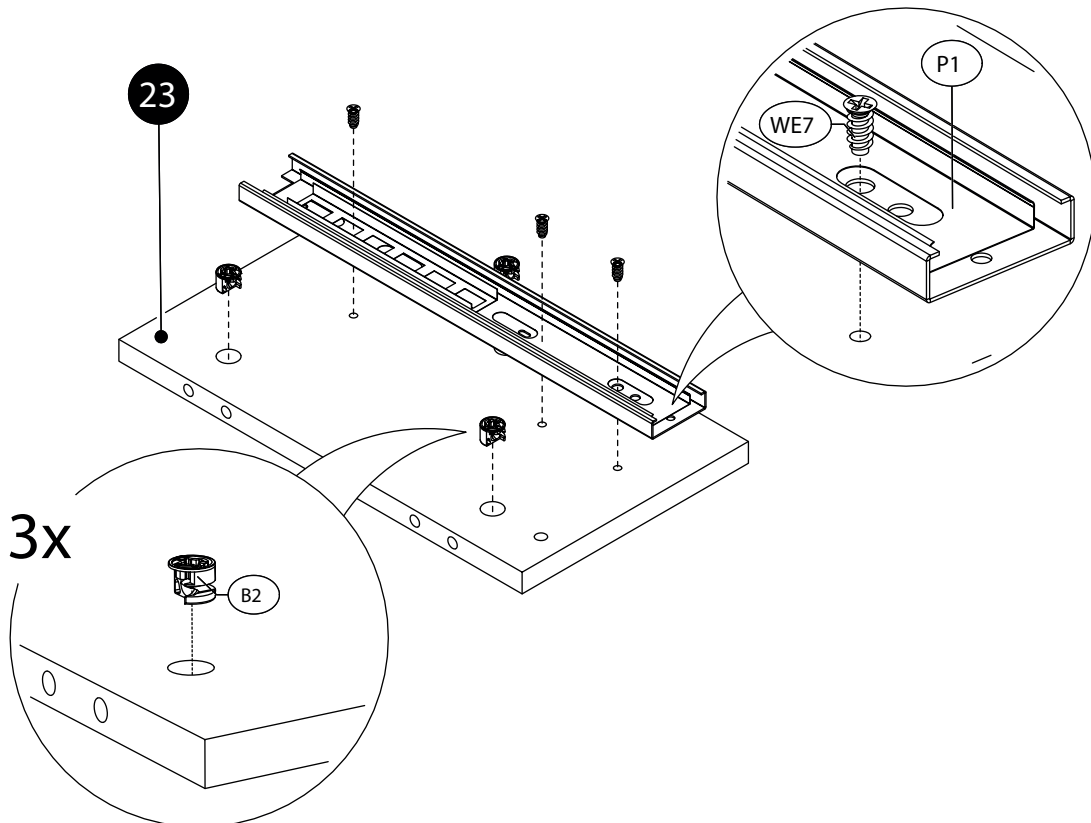
3.



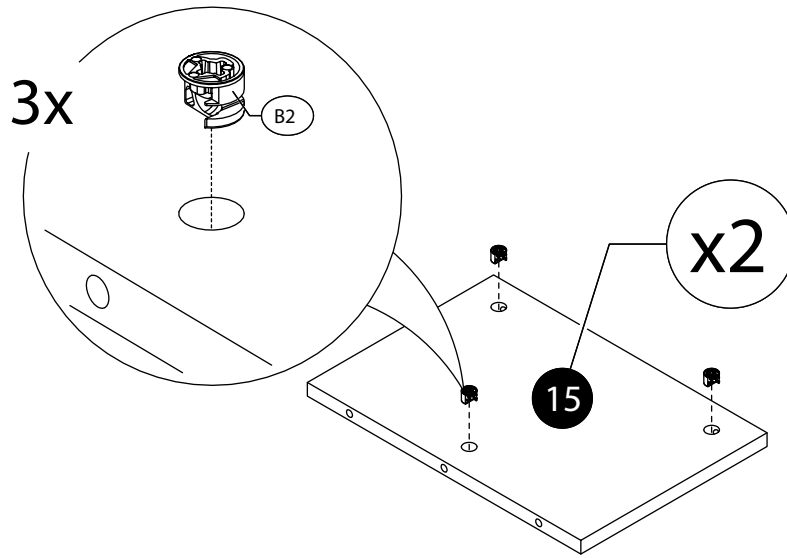
4.



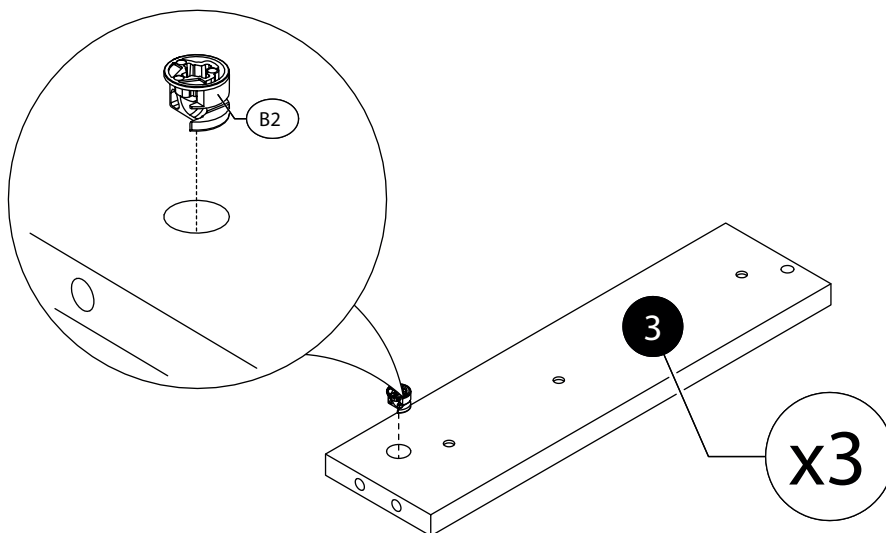
5.



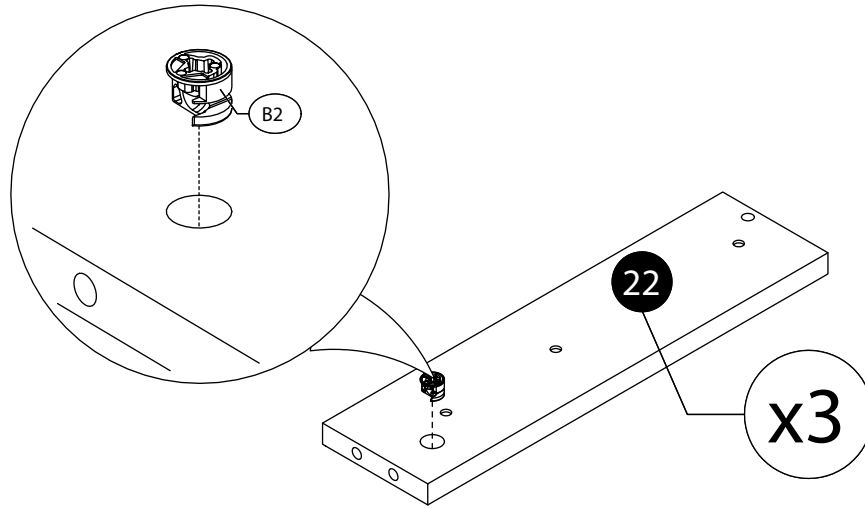
6.



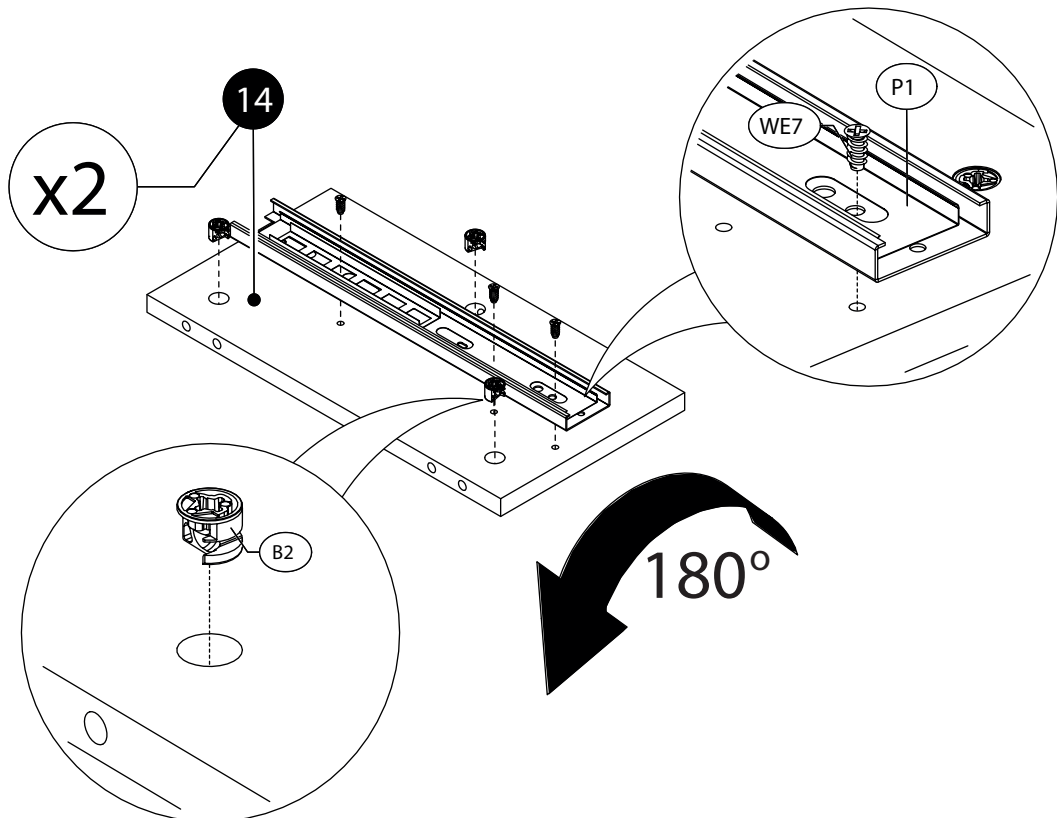
7.



8.

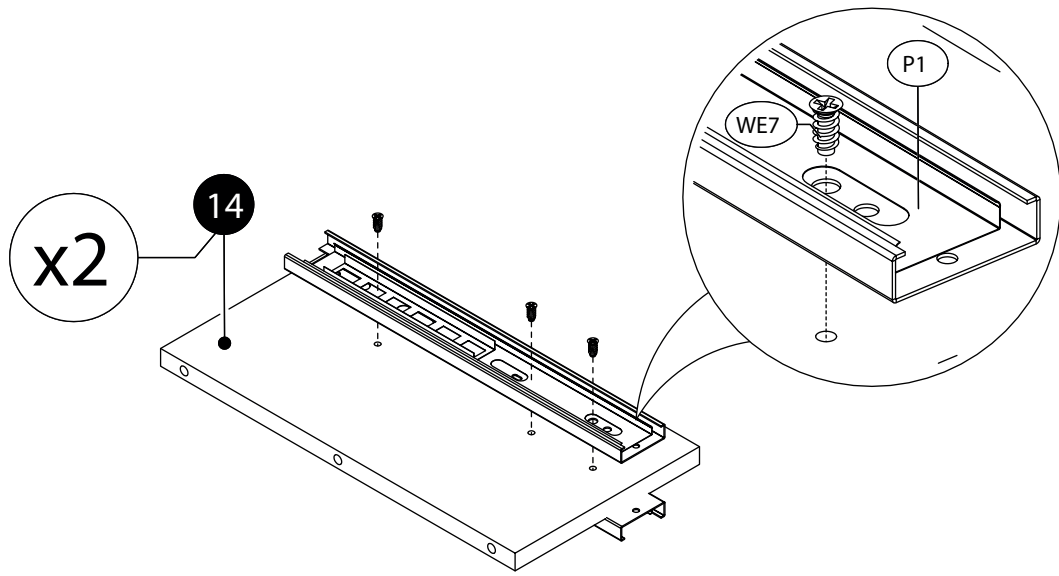


9.

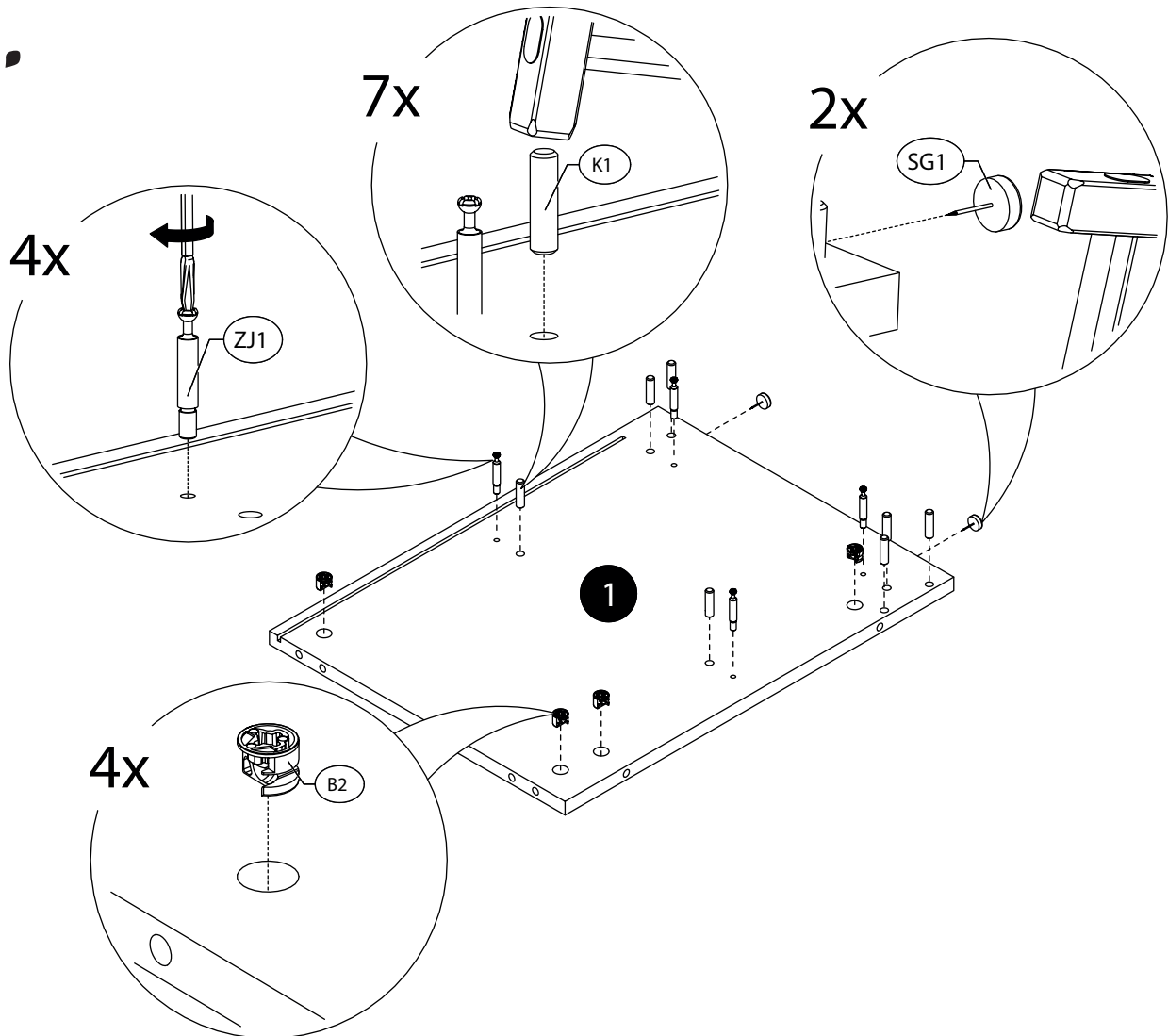




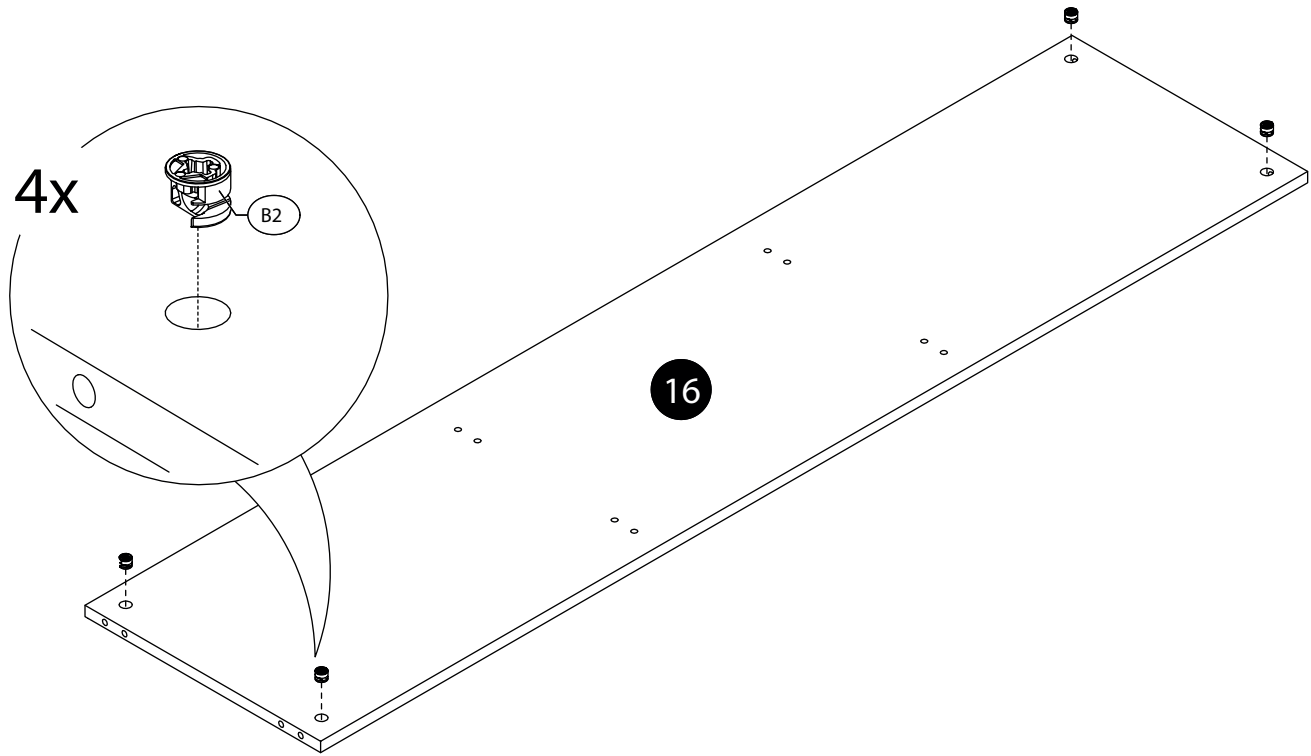
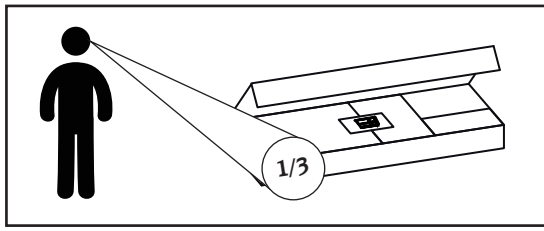
# 10.



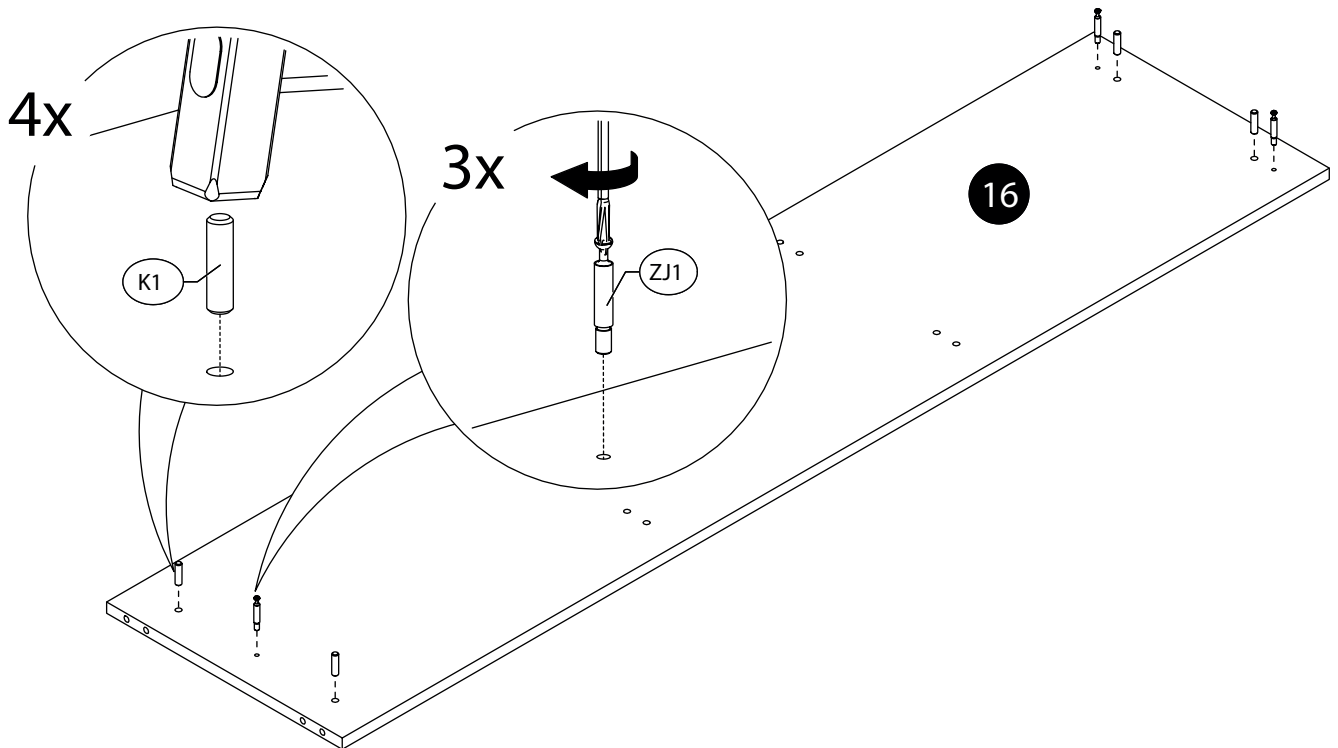
# 11.



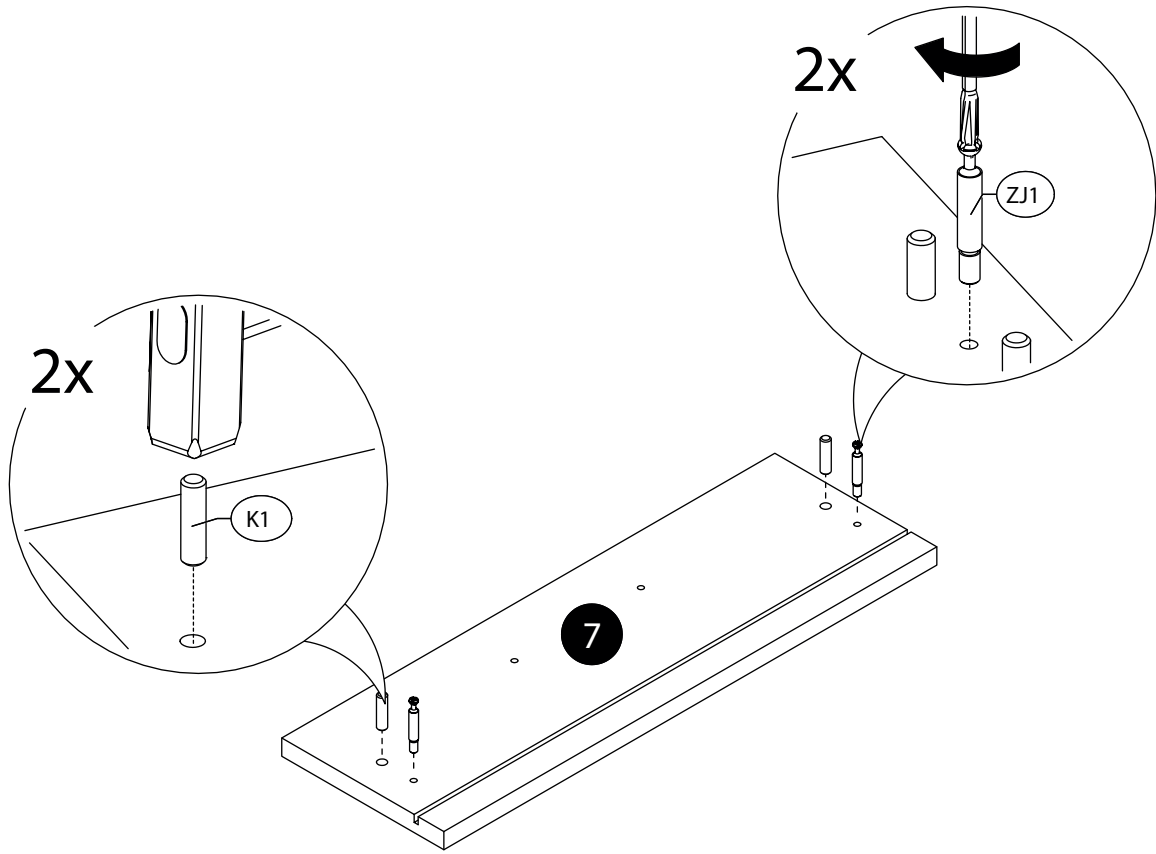
# 12.



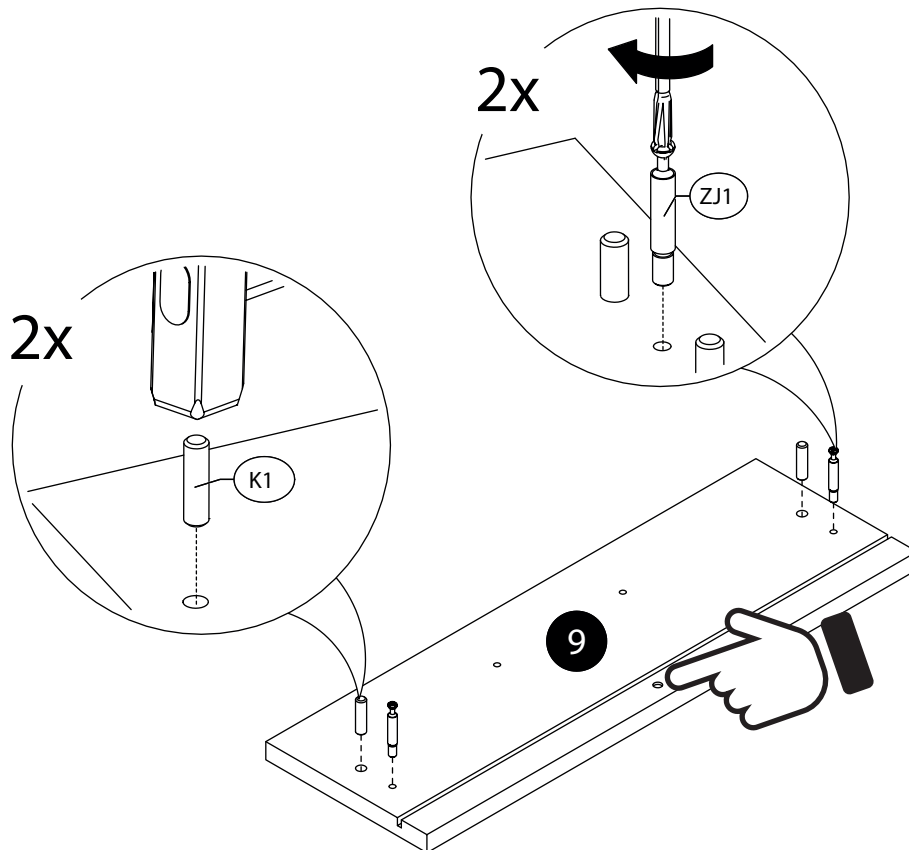
# 13.



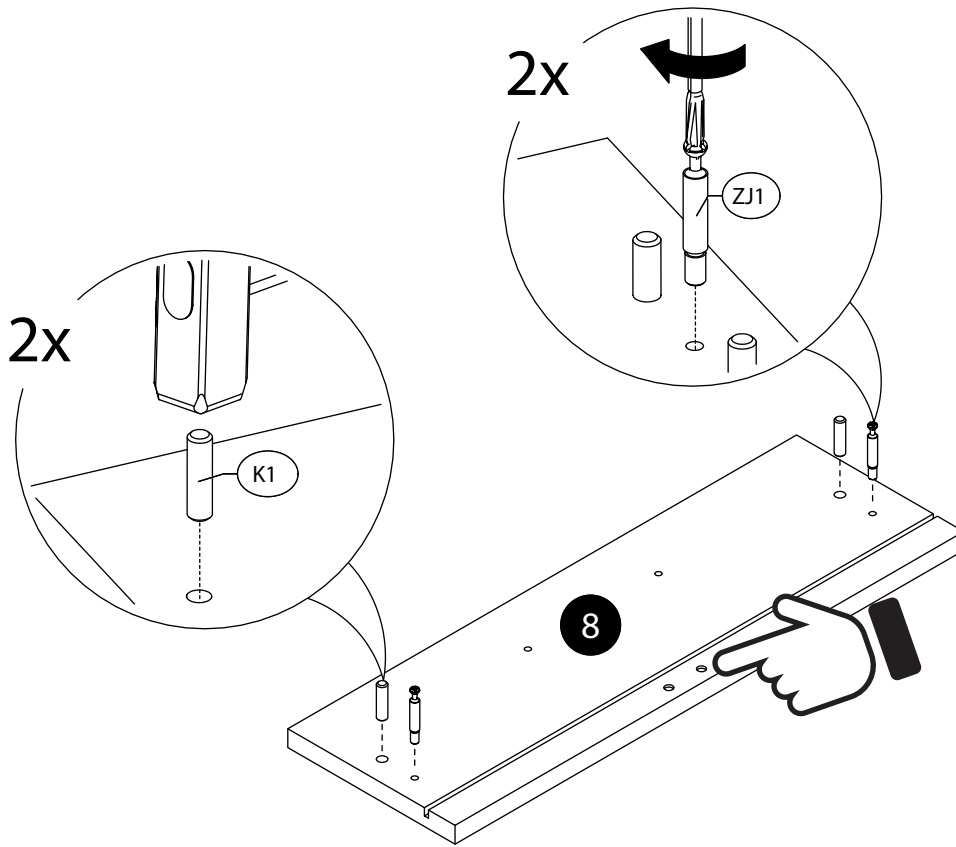
# 14.



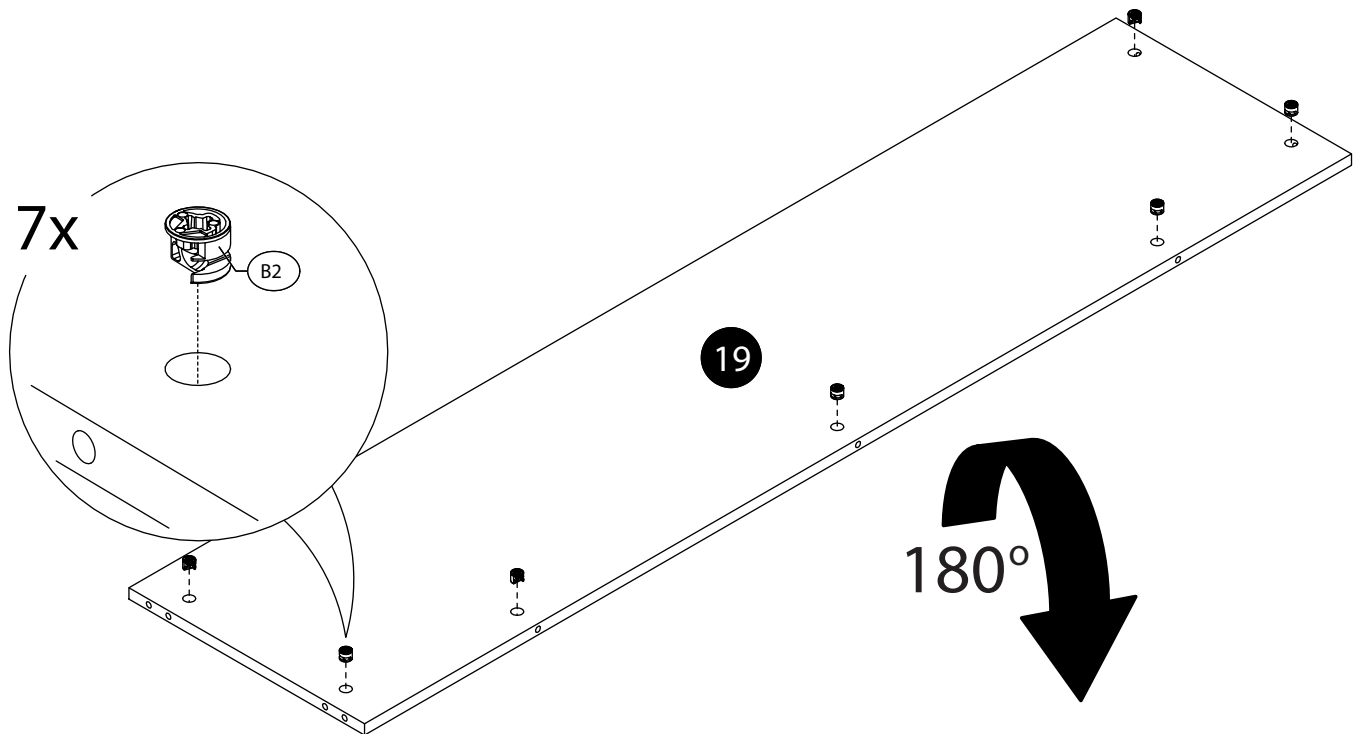
# 15.



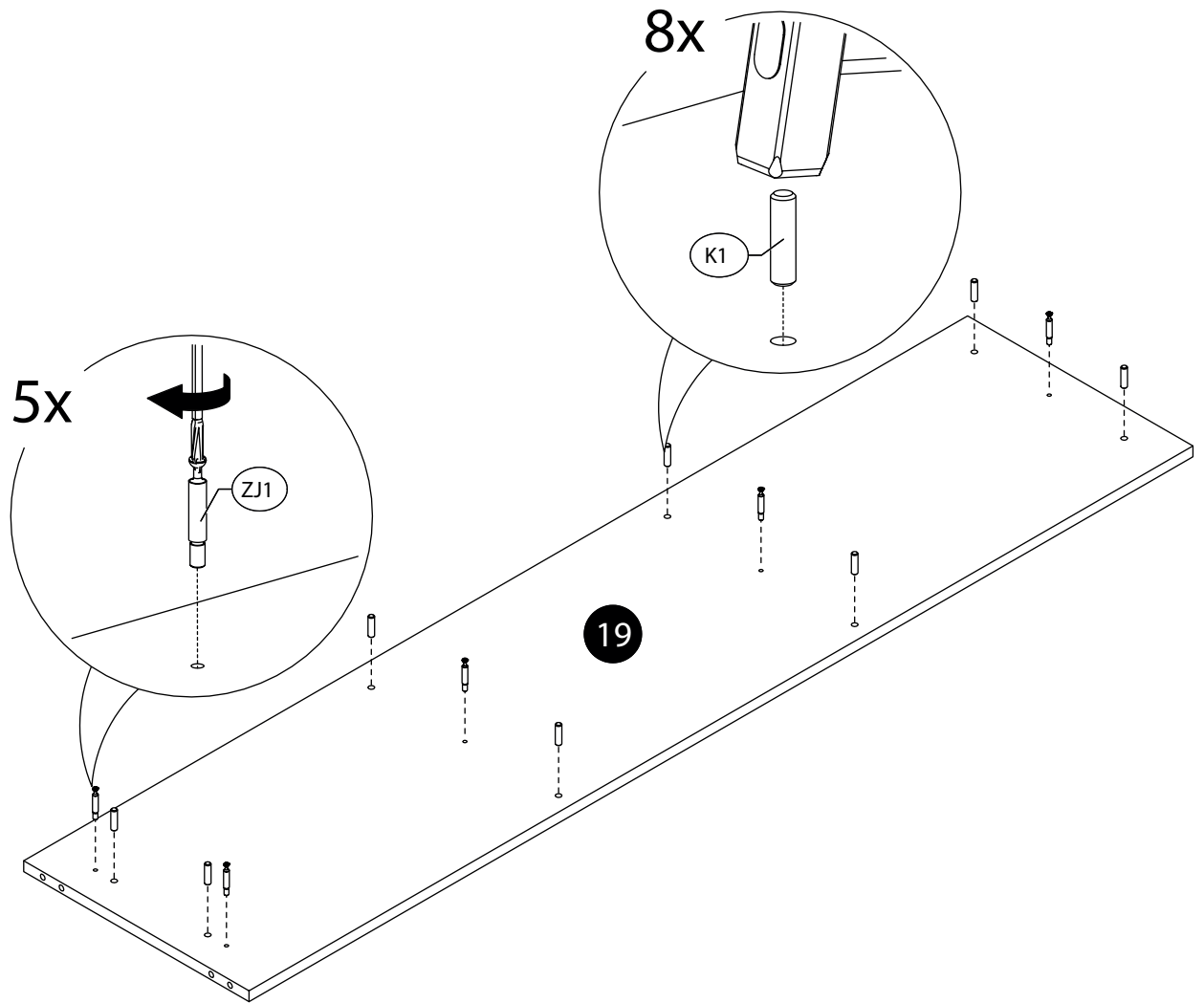
# 16.



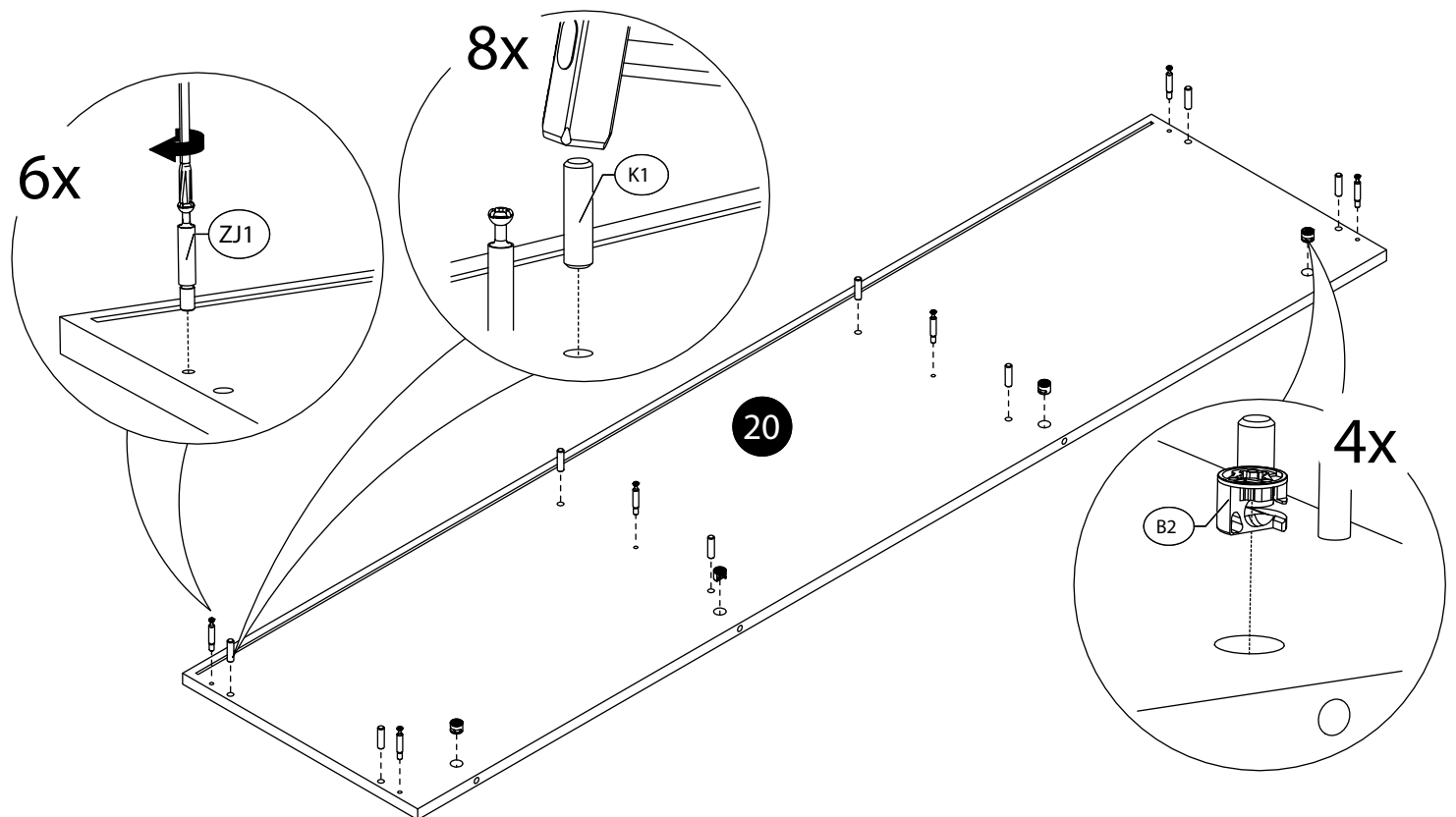
# 17.



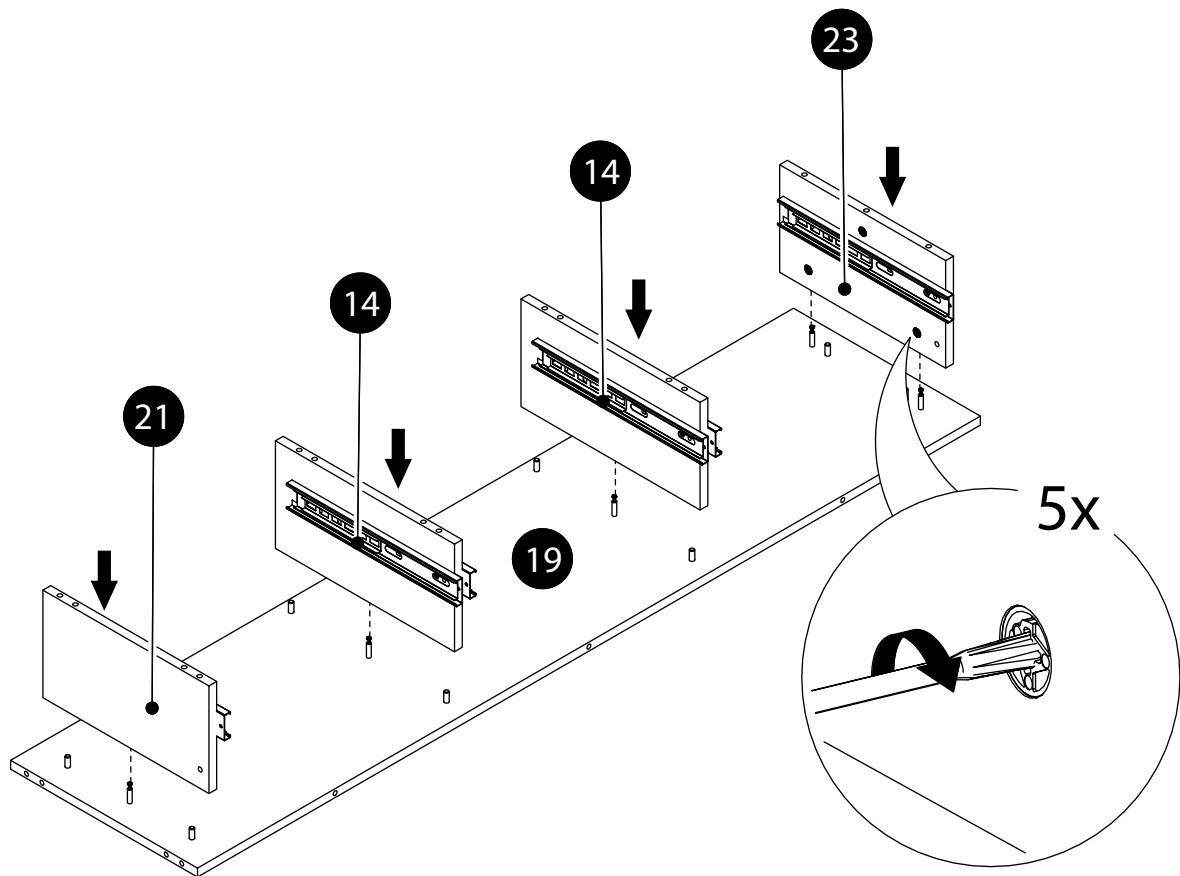
# 18.



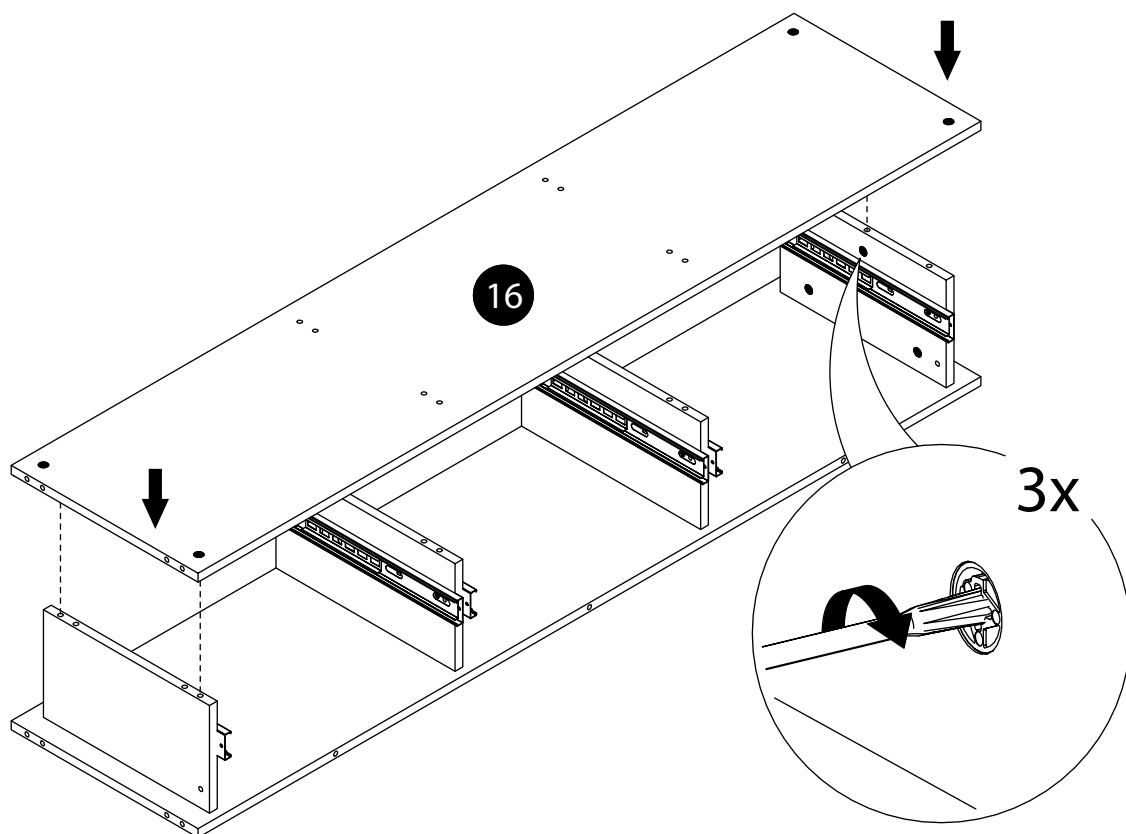
# 19.



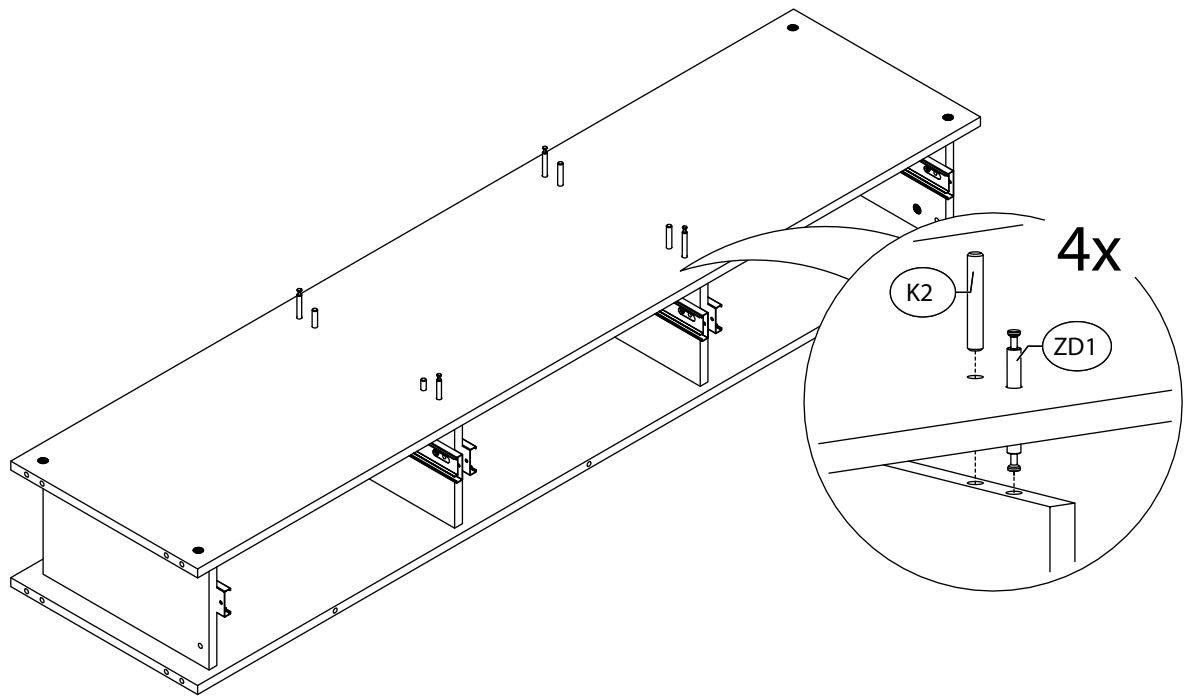
# 20.



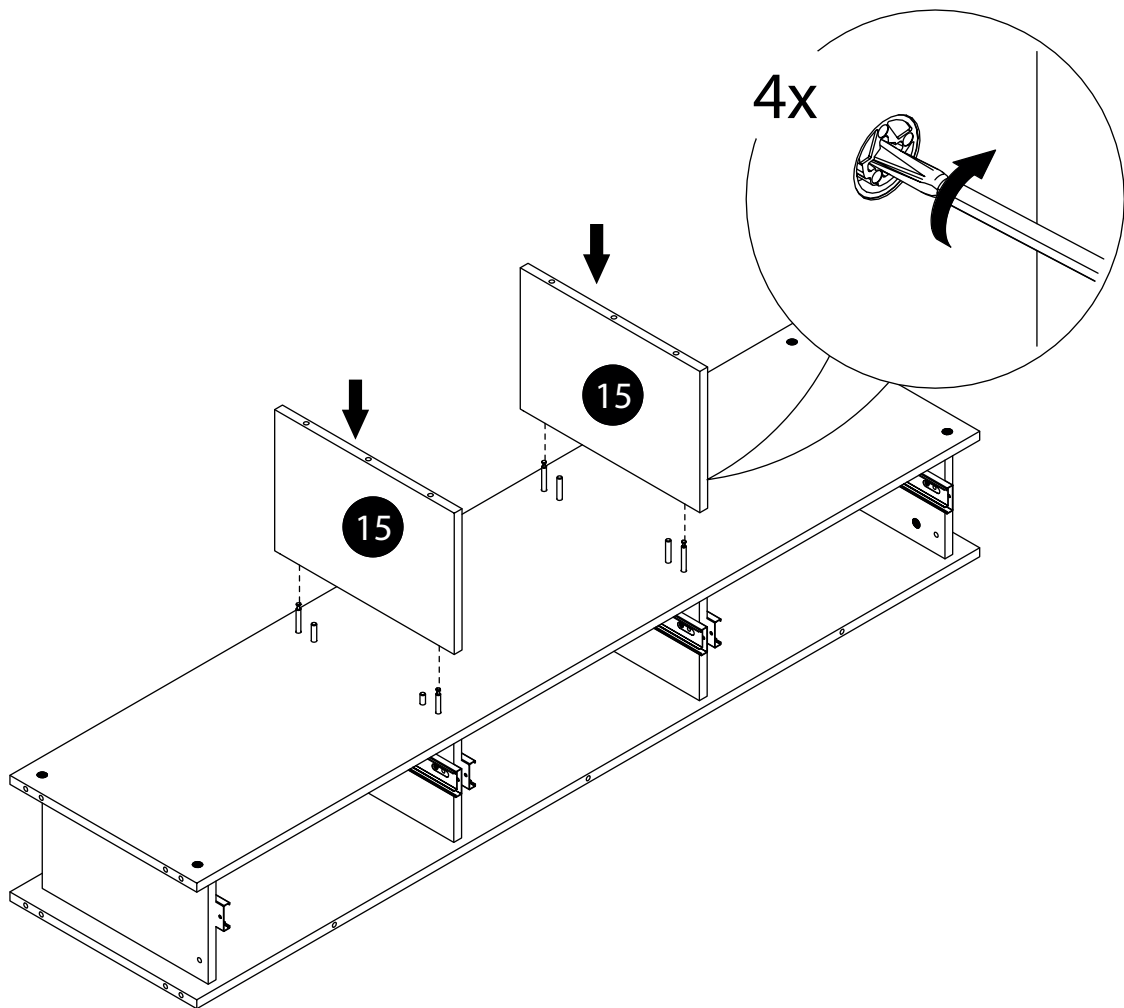
# 21.



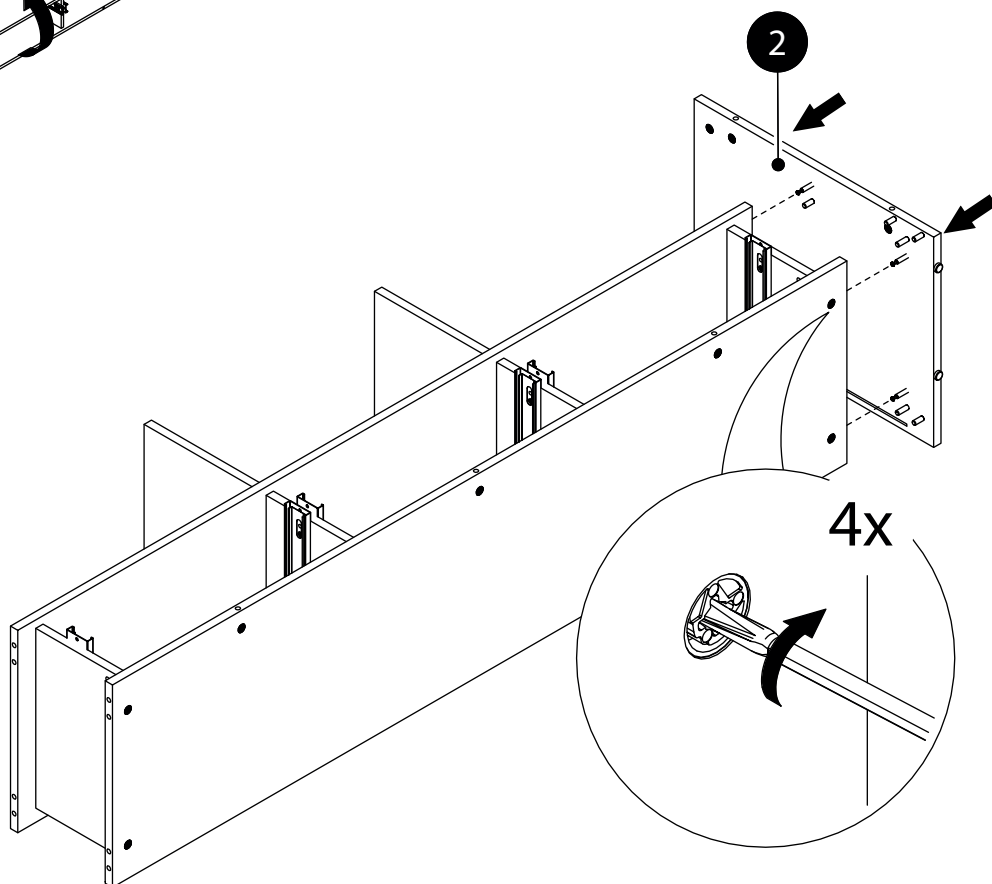
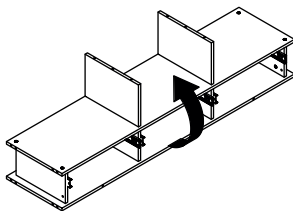
22.



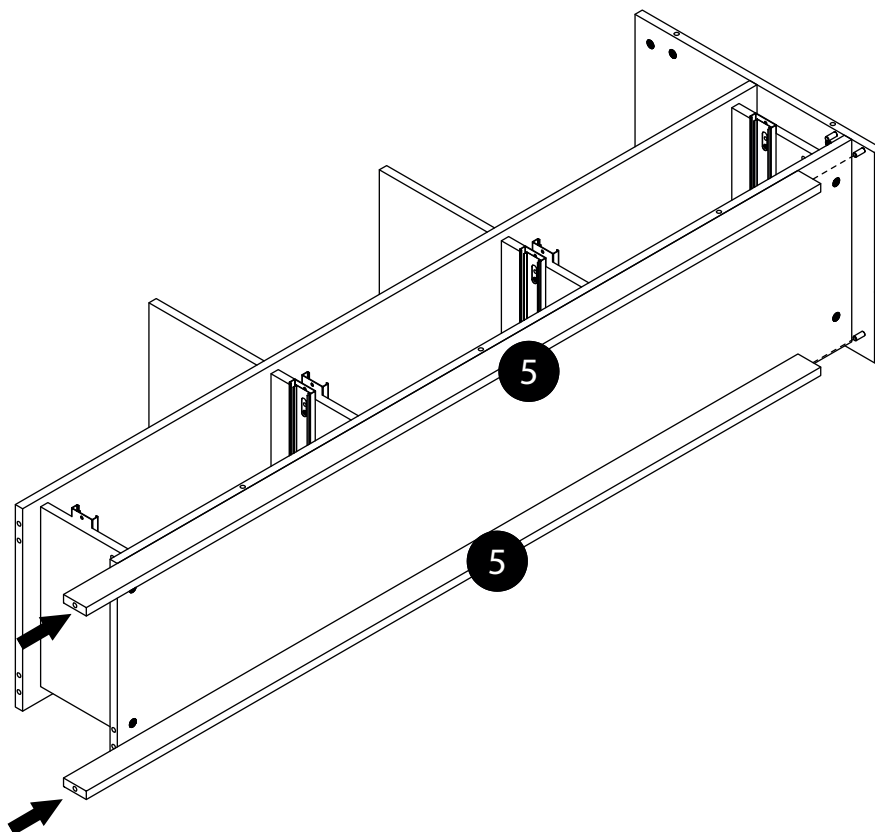
22.



24.

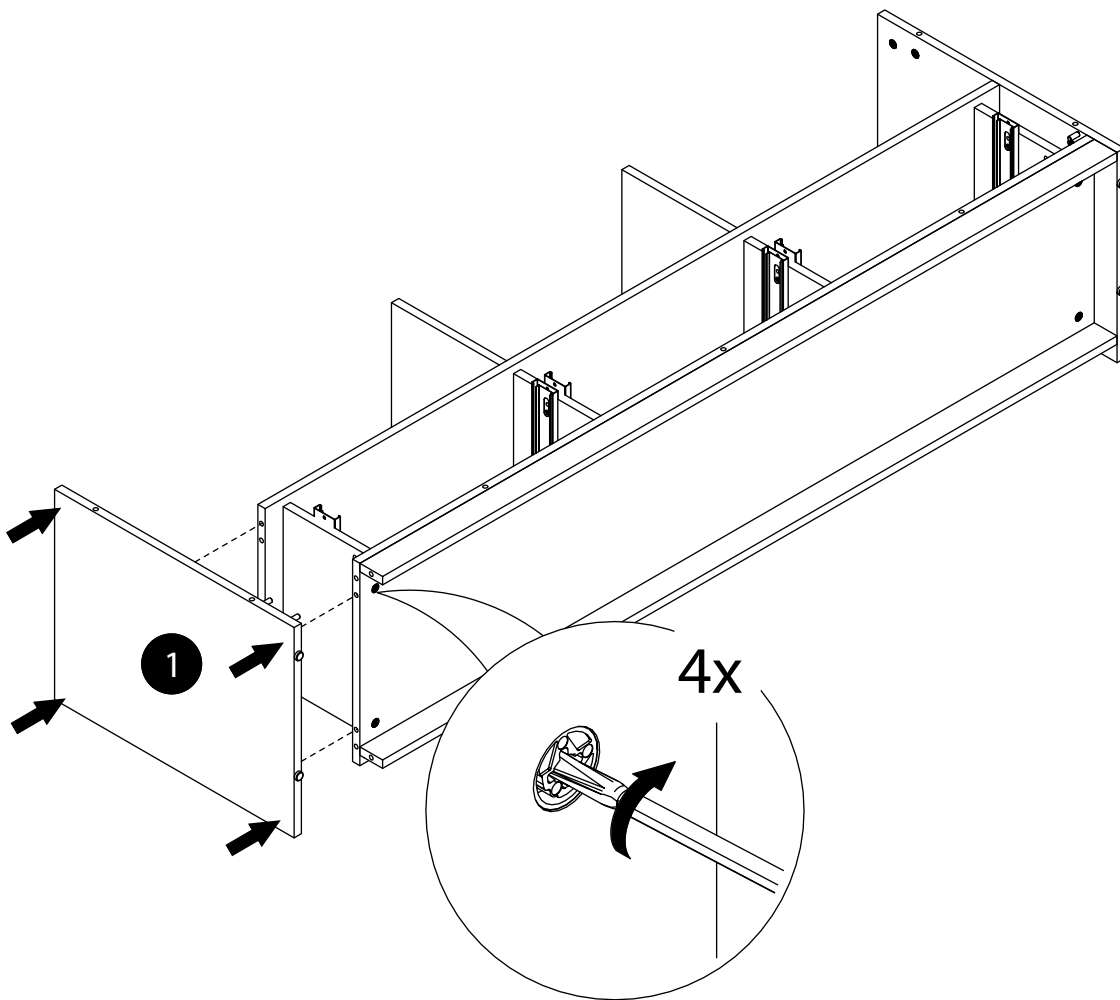


25.

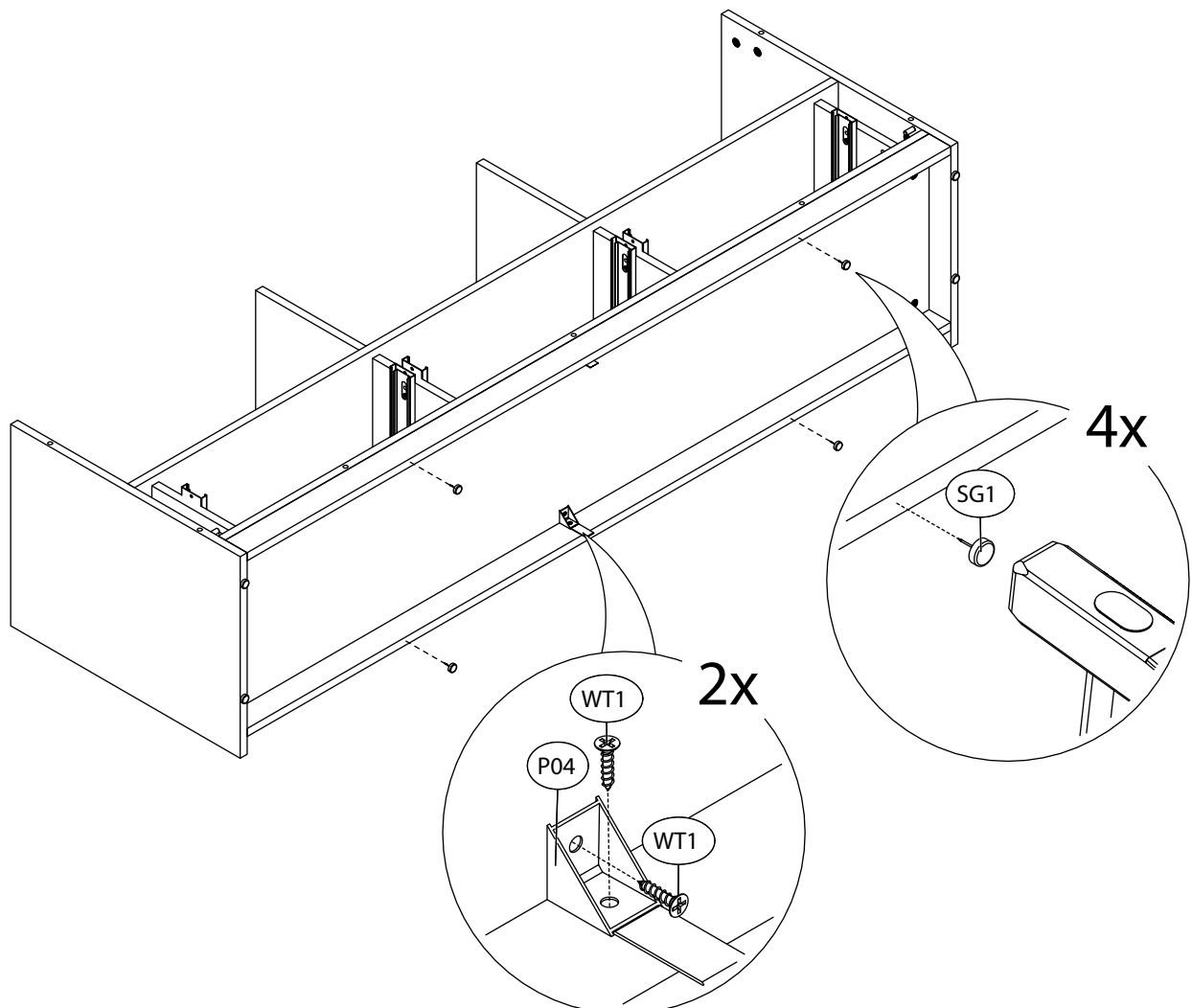




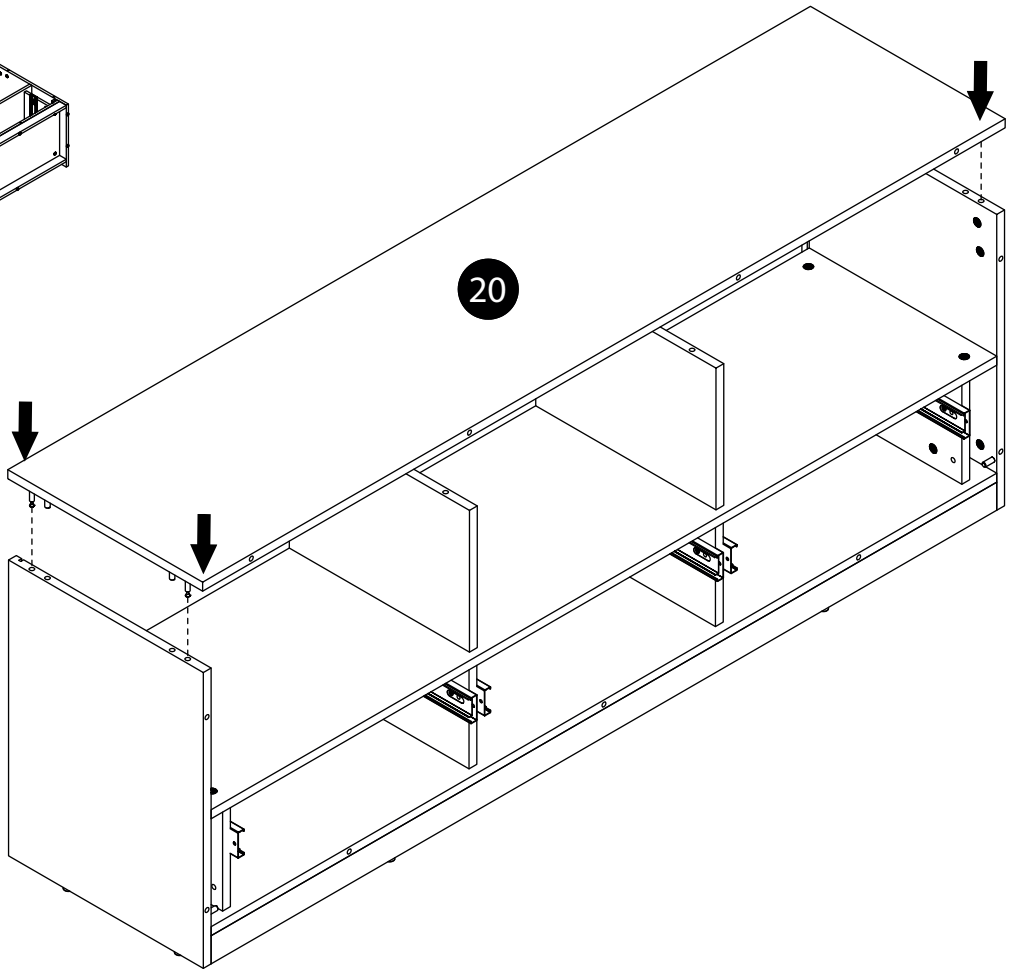
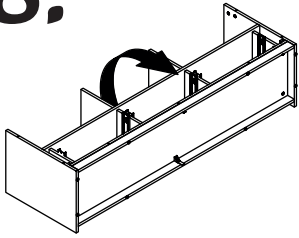
# 26.



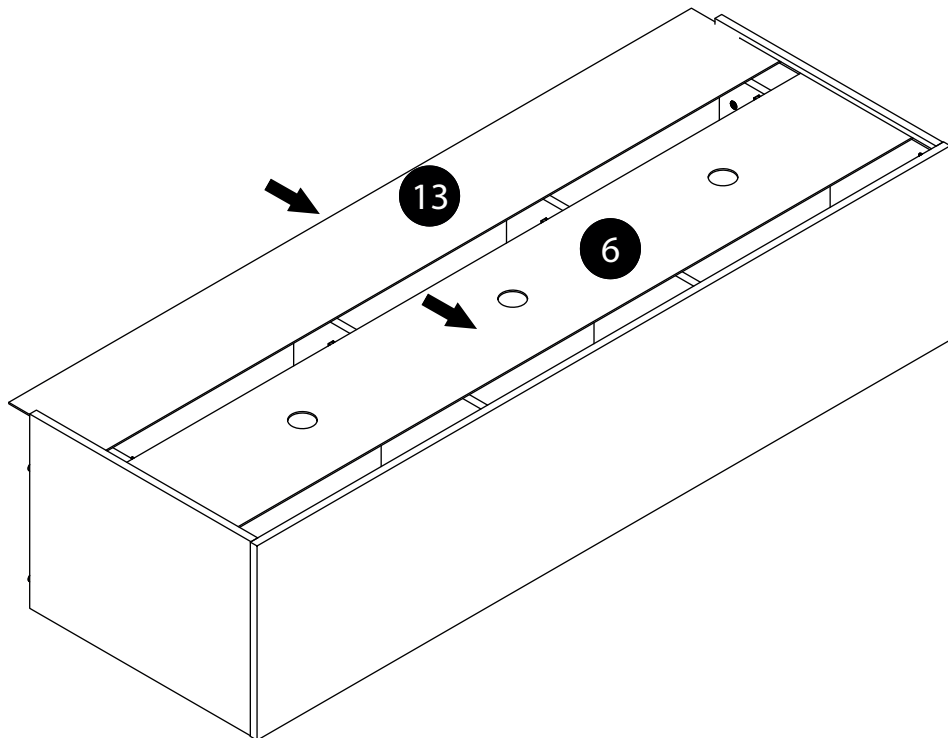
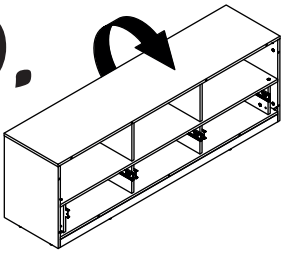
# 27.



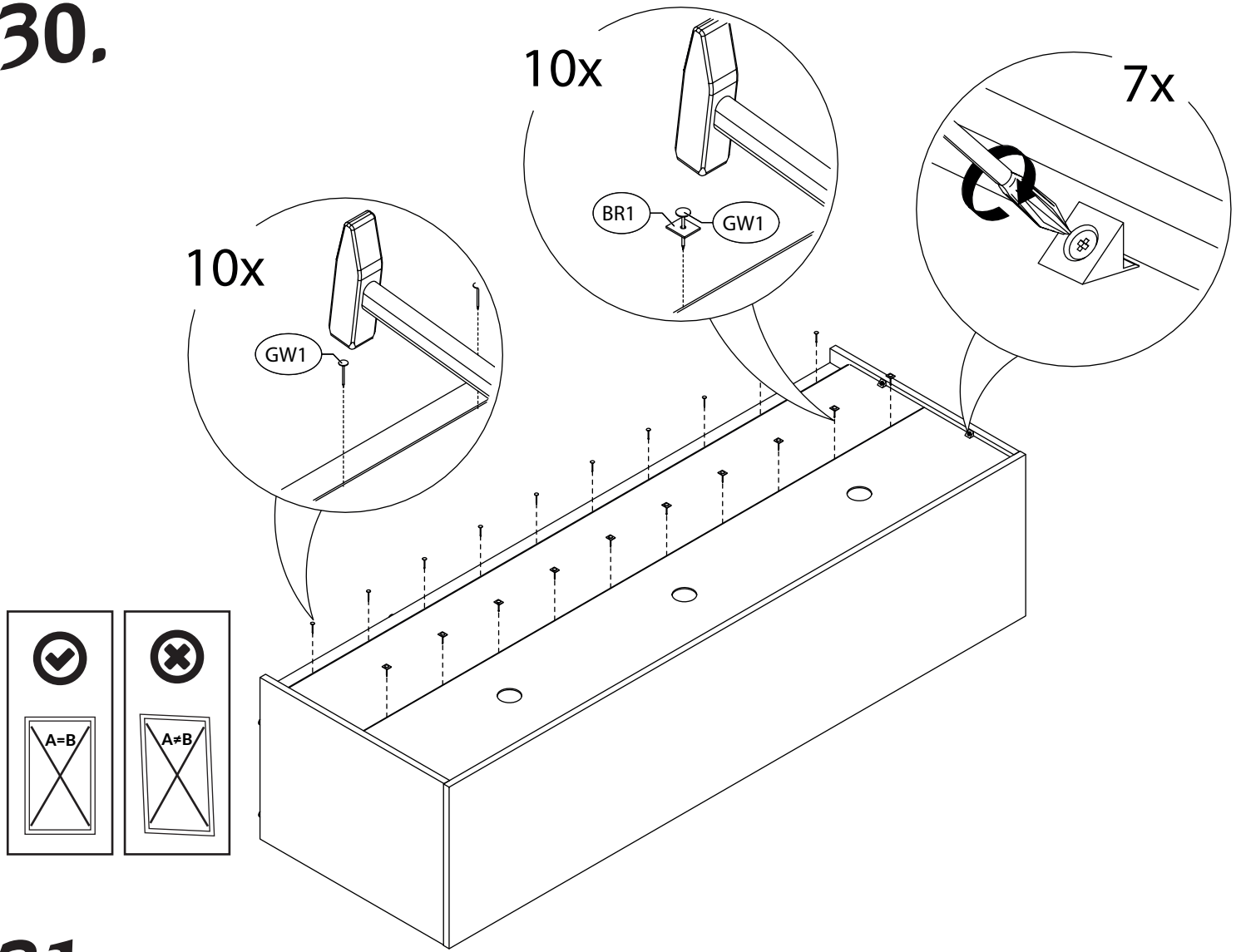
28.



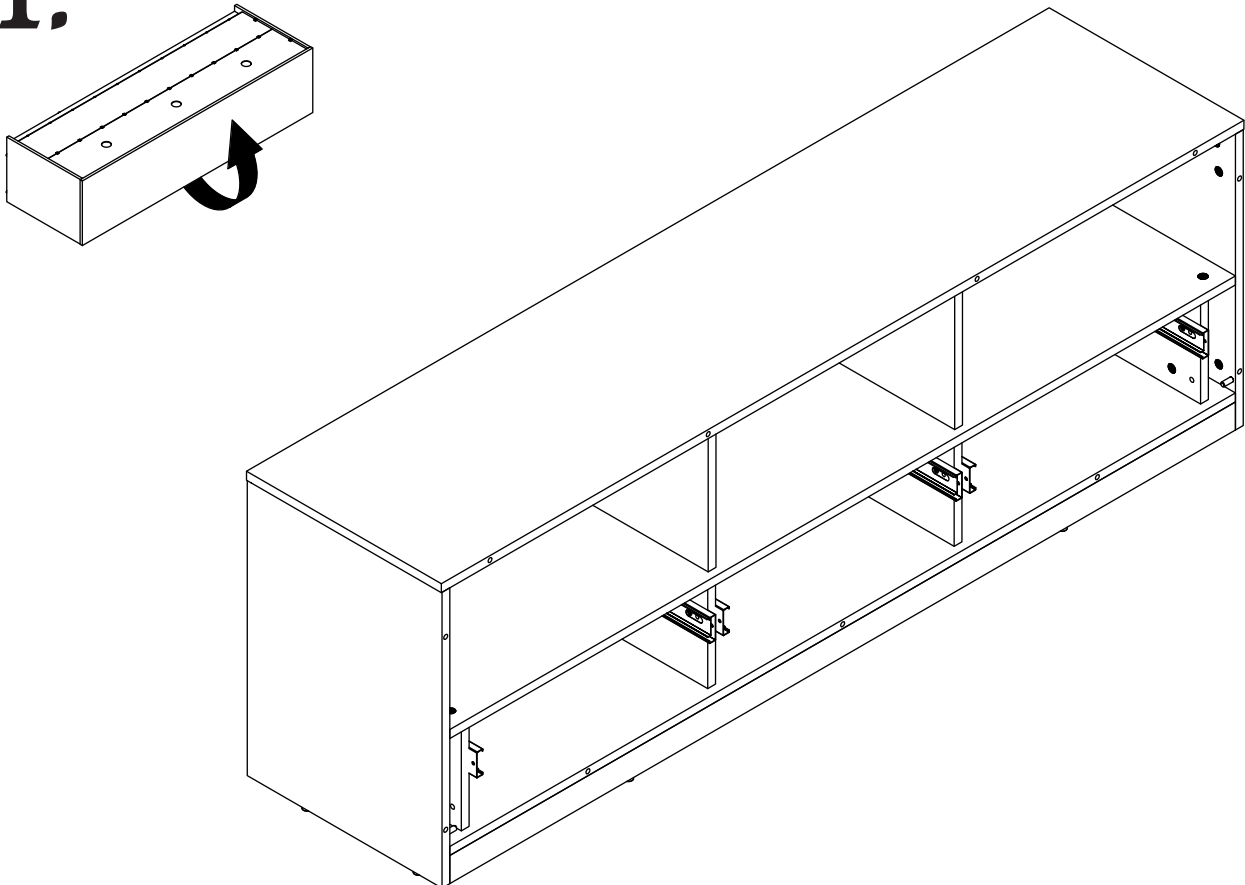
29.



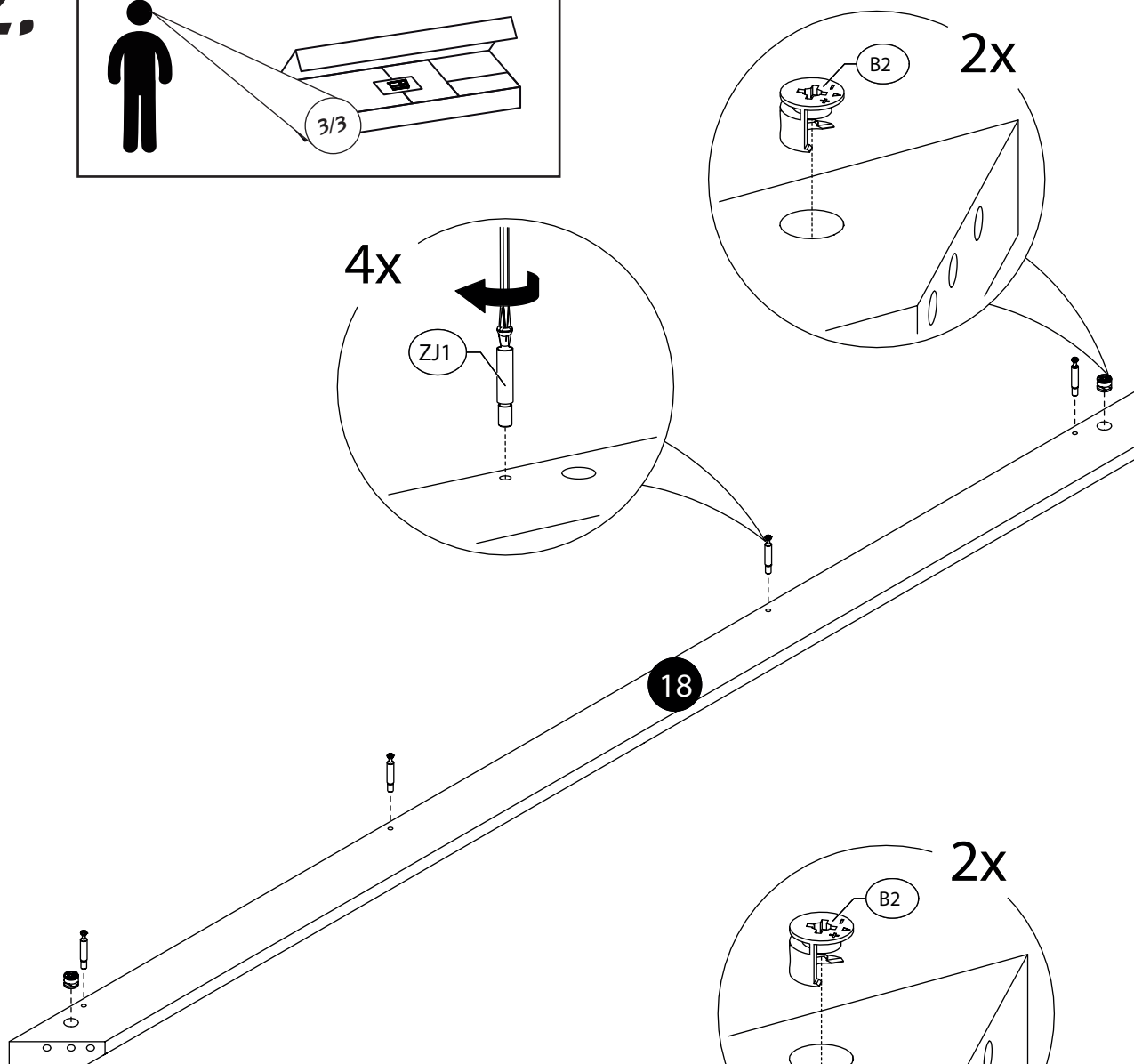
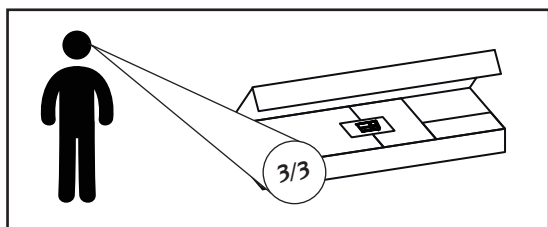
# 30.



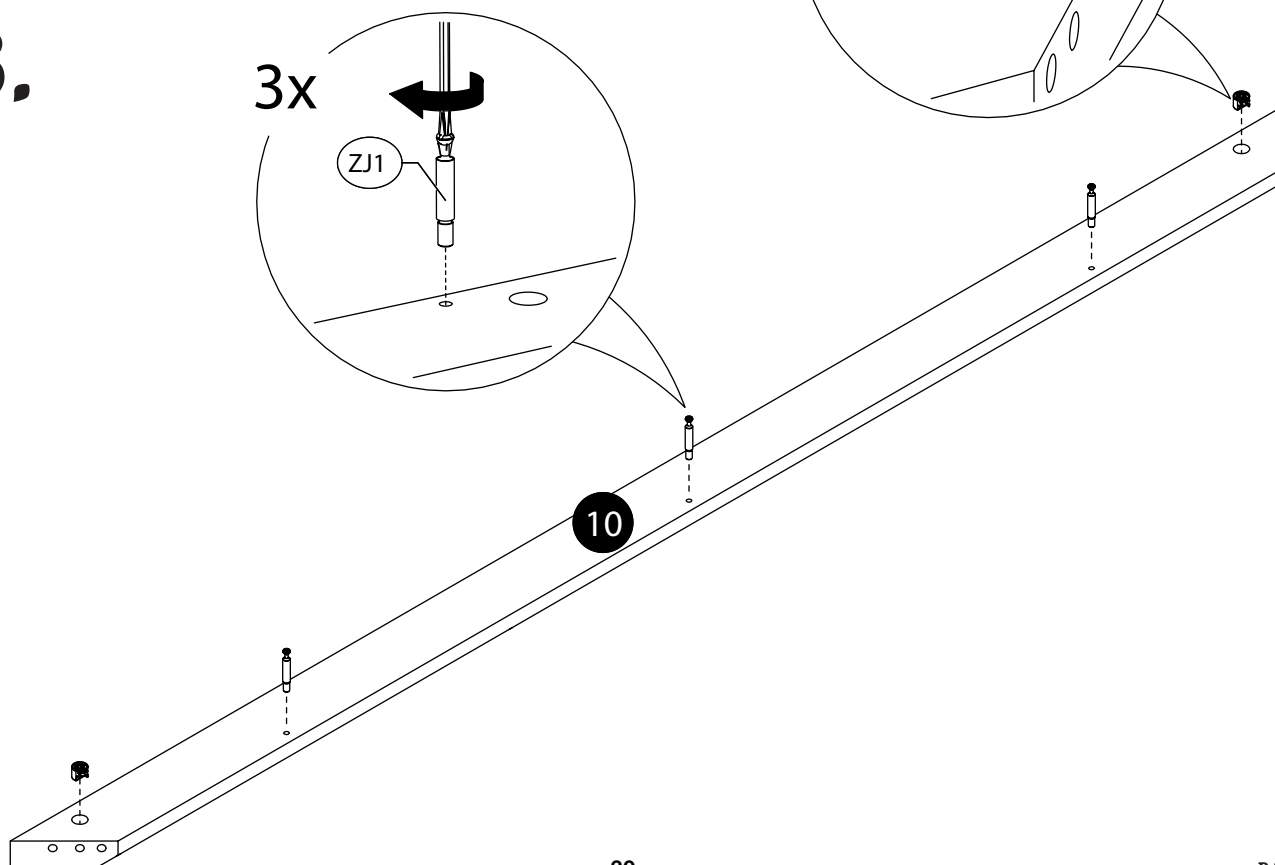
# 31.



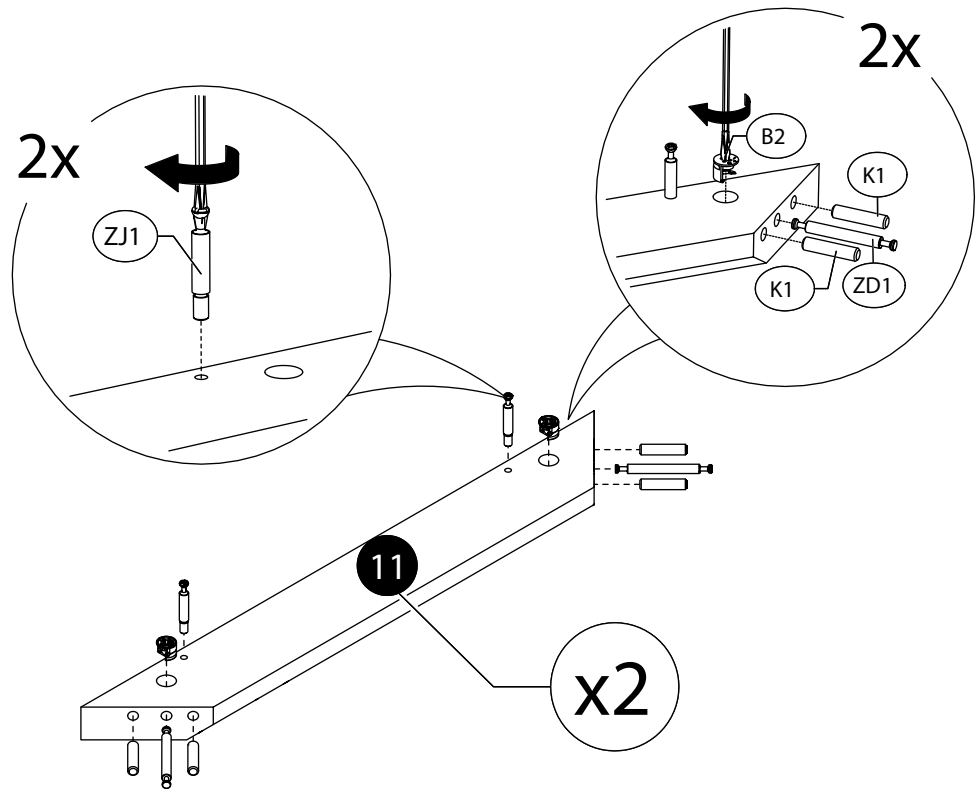
32.



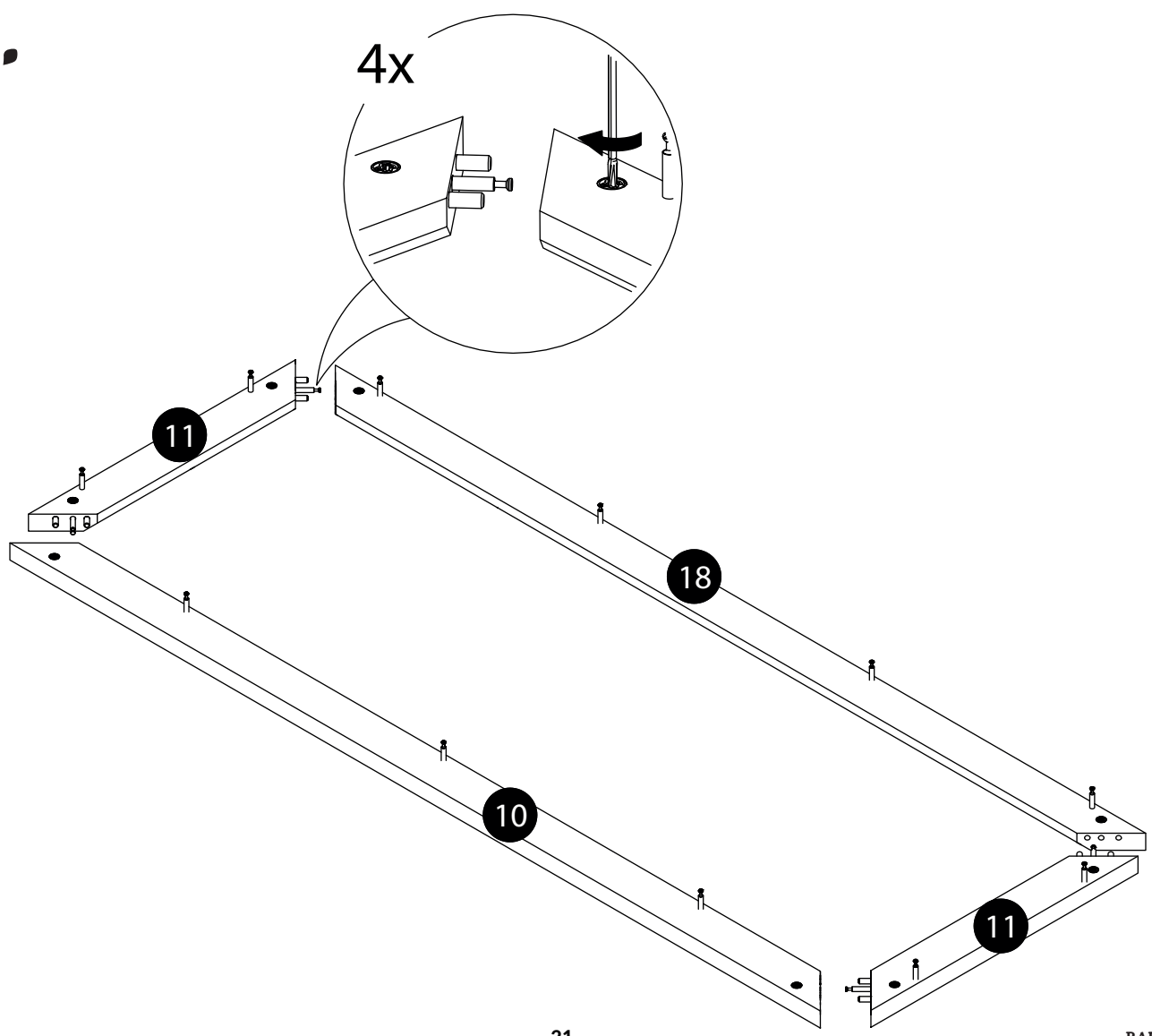
33.



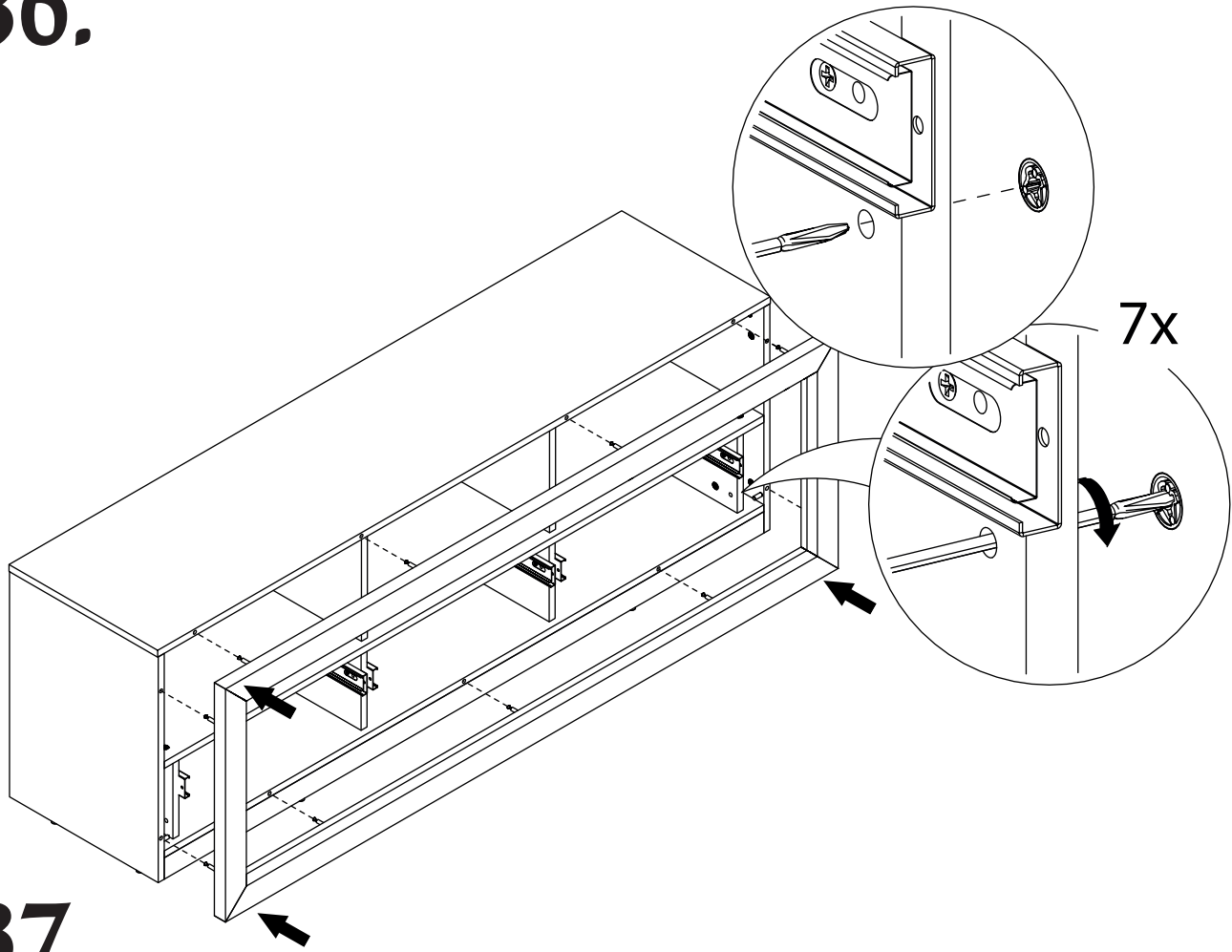
# 34.



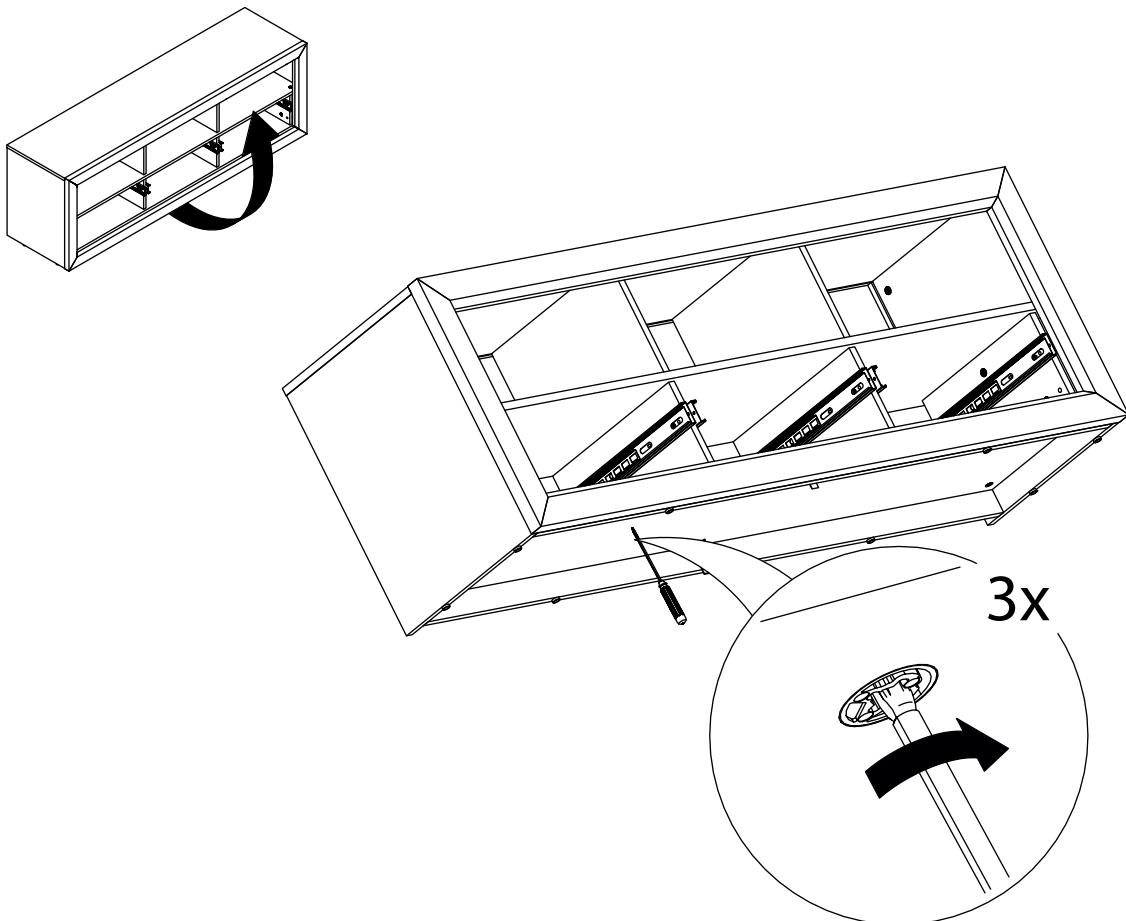
# 35.



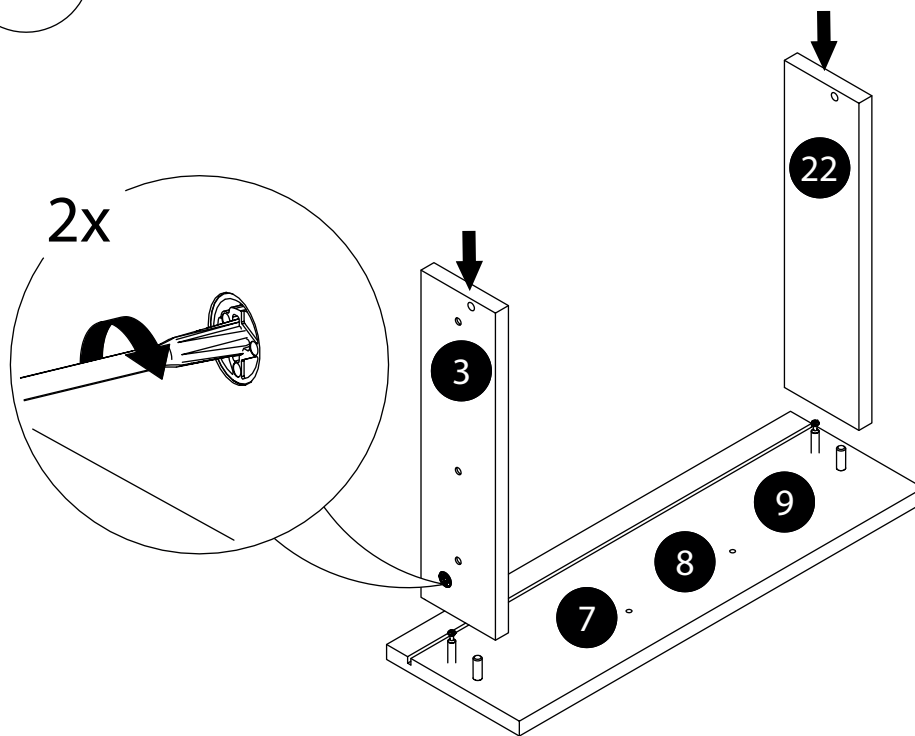
36.



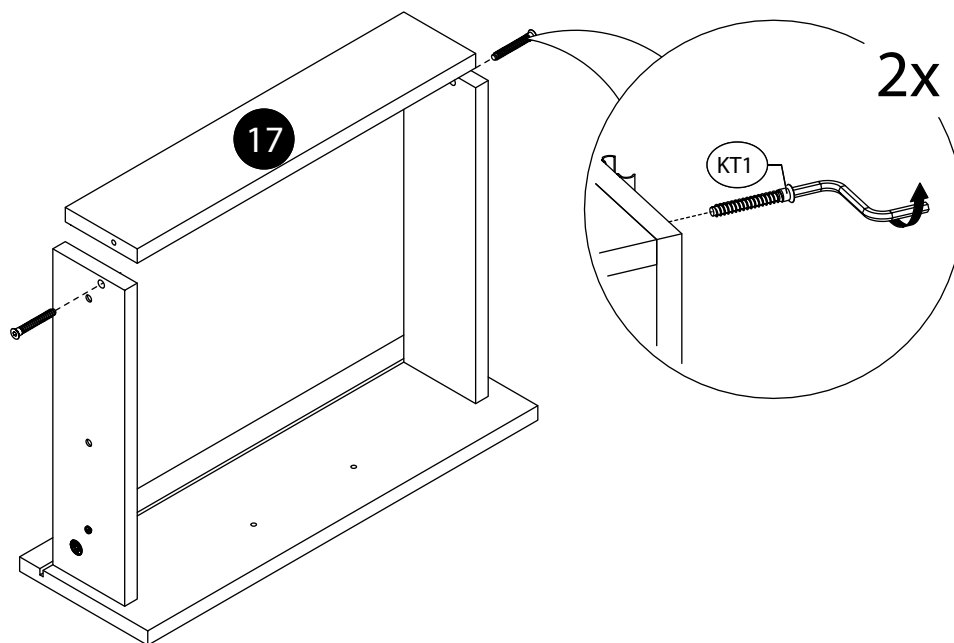
37.



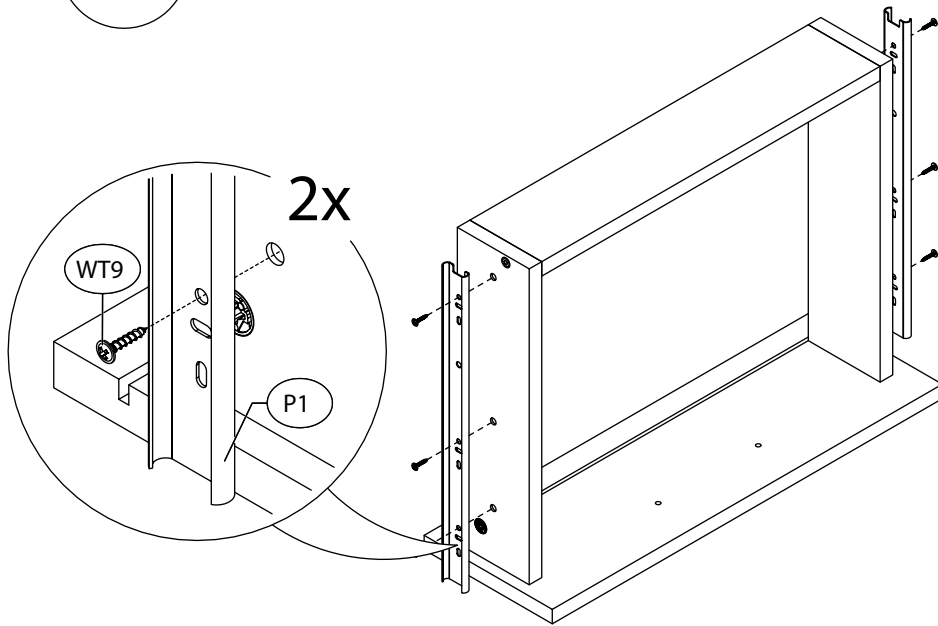
38. (x3)



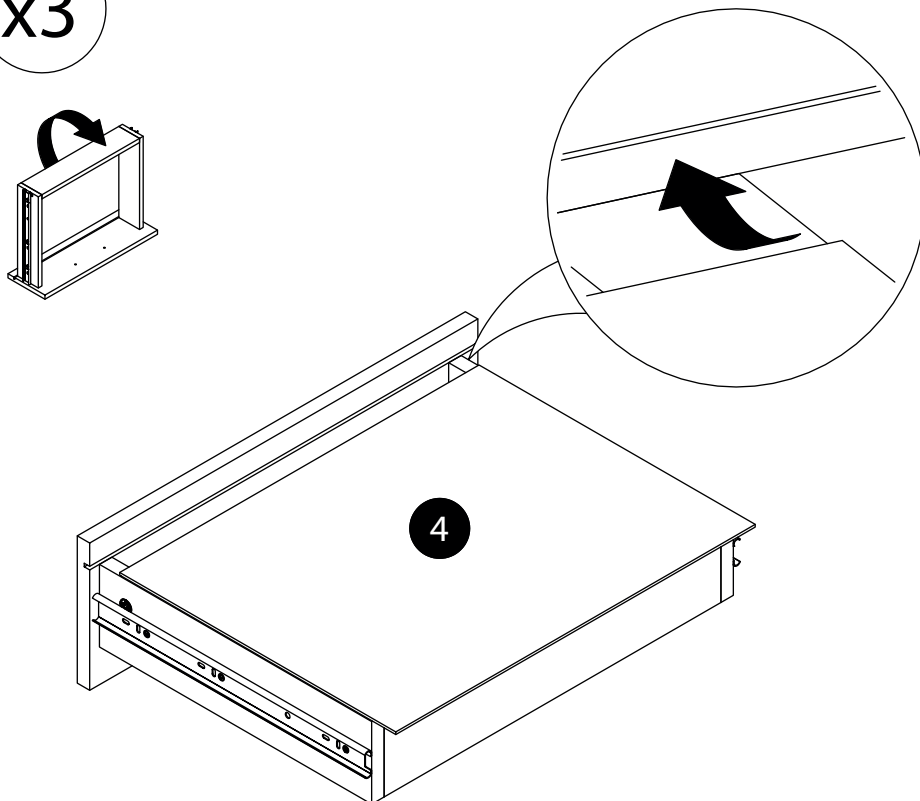
39. (x3)



40. (x3)

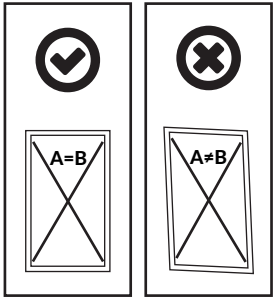
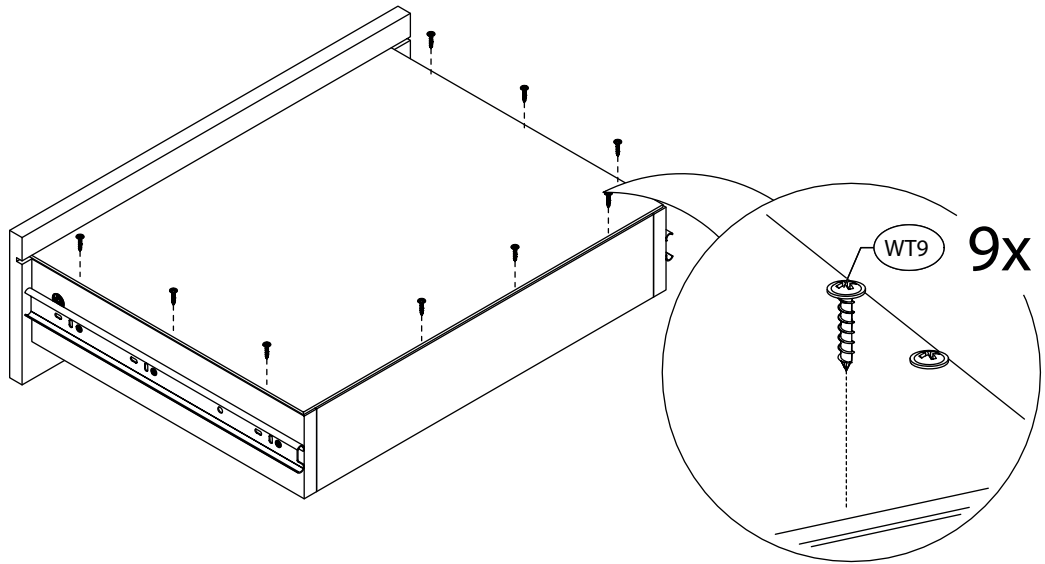


41. (x3)

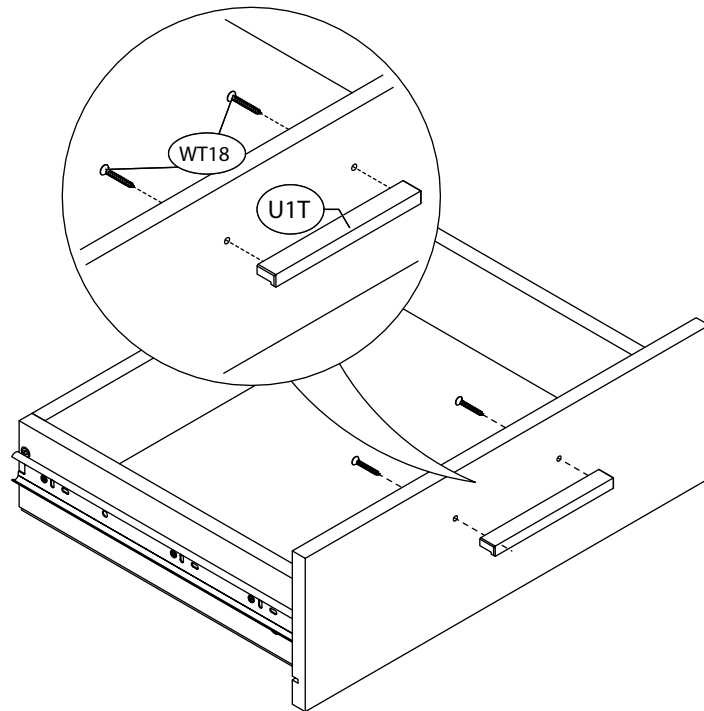
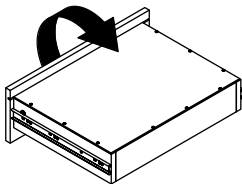




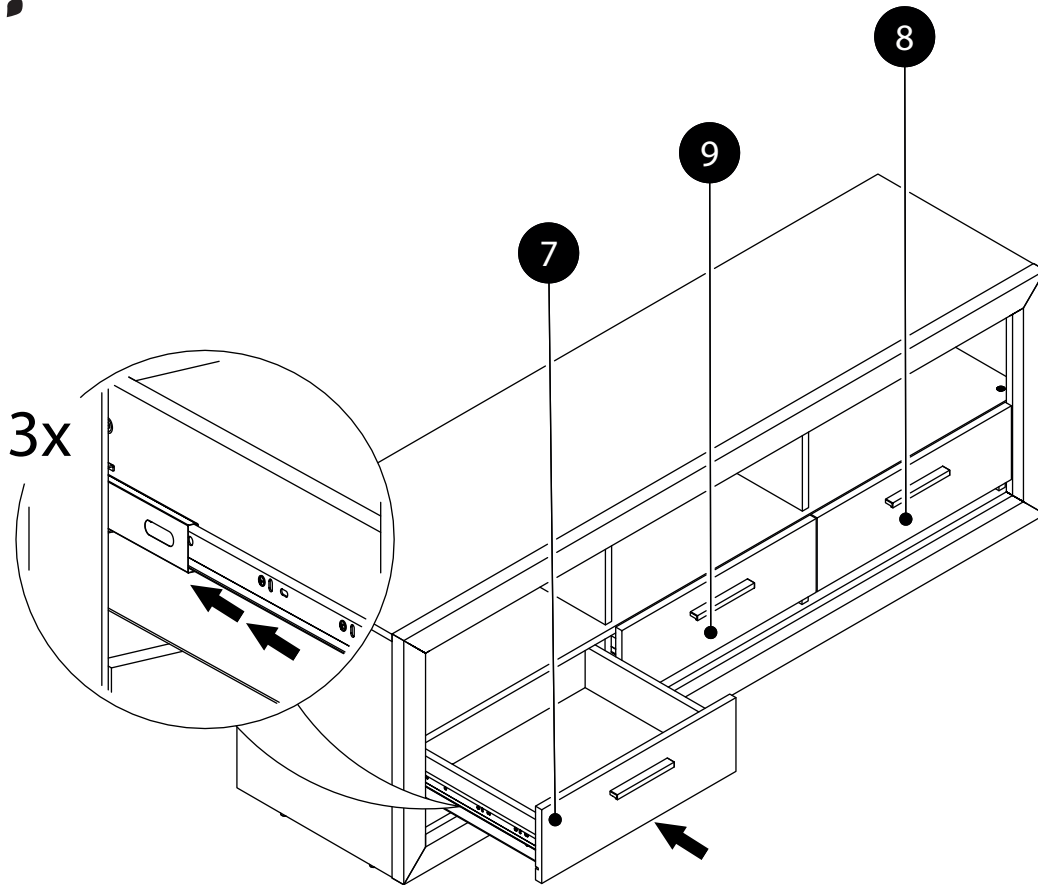
# 42. x3



# 43. x3



44.



45.

