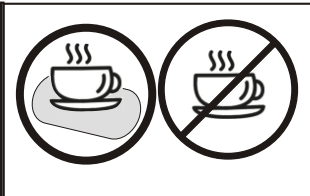
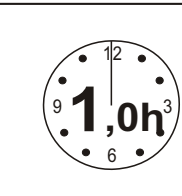
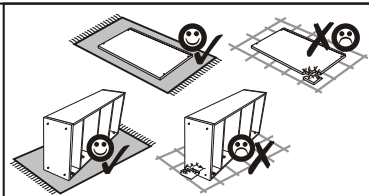
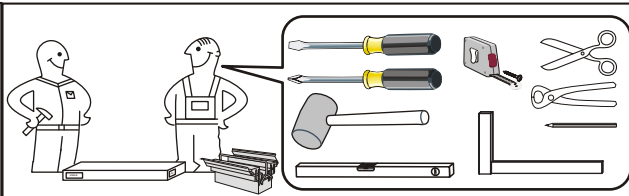
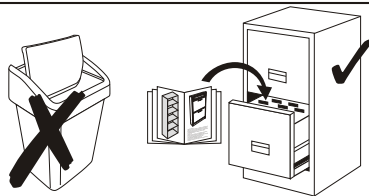


- NR 1**
- B1** 8x28 x8
 - B2** 6x28 x8
 - M1** x8
 - T1** x8
 - J23** x24
 - L1** x1

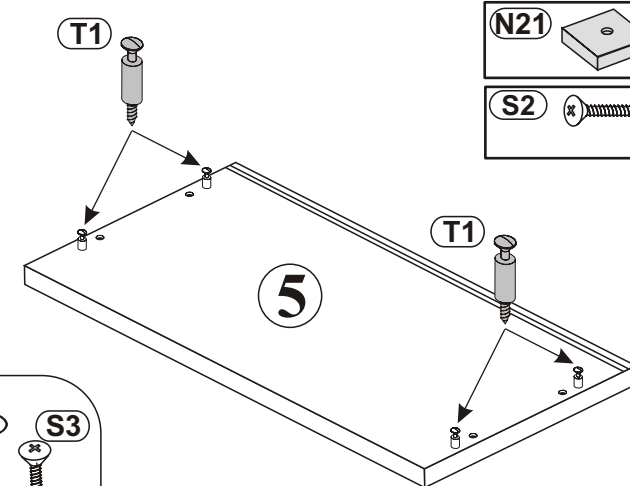
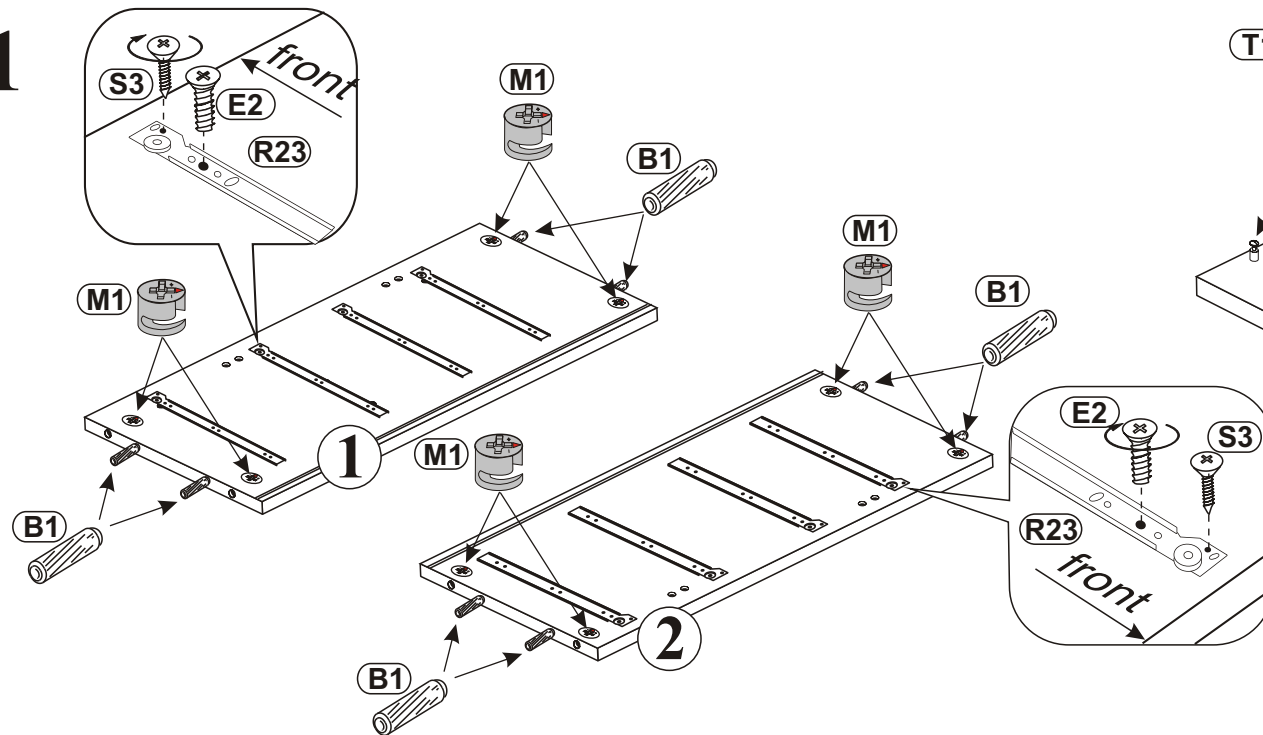
- NR 2**
- R23** L-350 mm x4L/4R
 - E2** 6x11 x24
 - P3** 3x13mm x16
 - S3** 3,5x13 x8

- NR 3**
- N21** x4
 - S2** x4

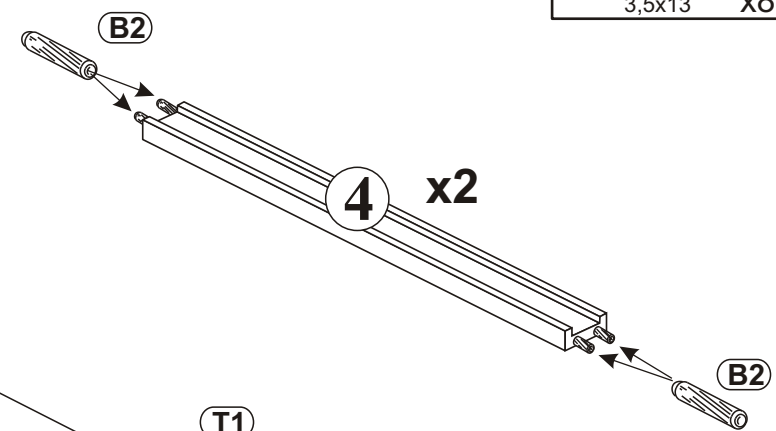
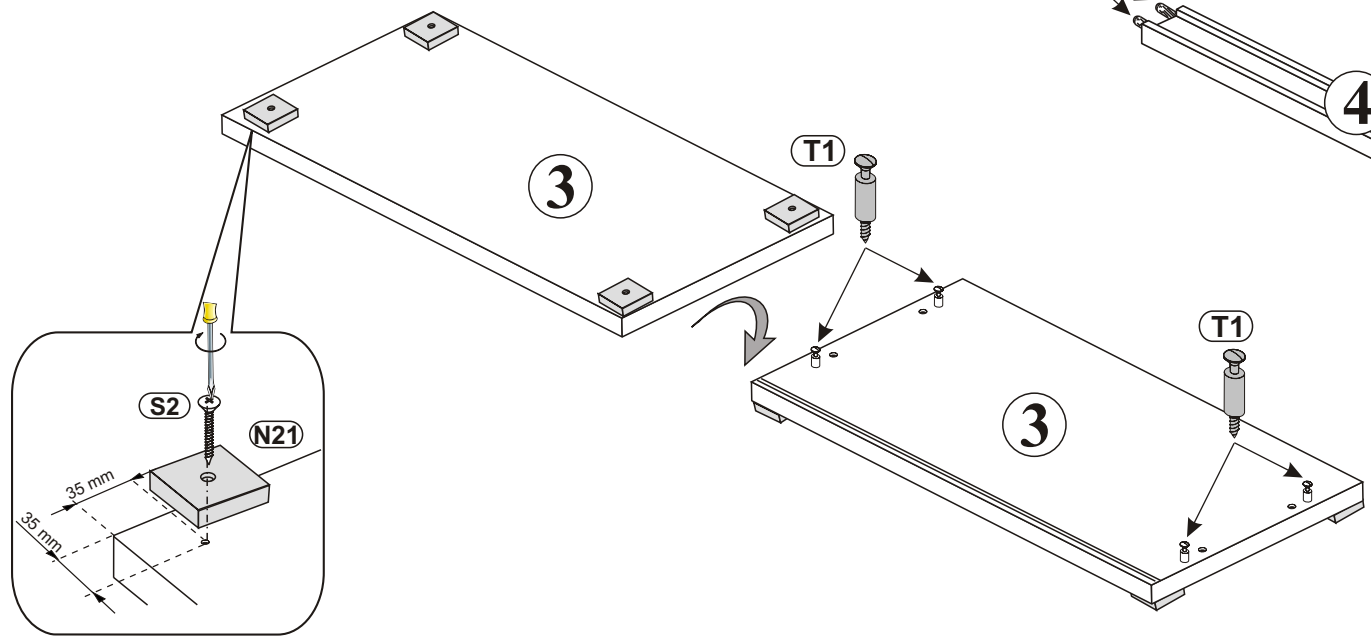
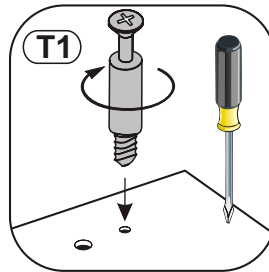
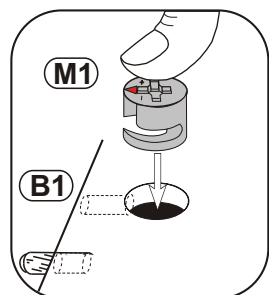
- NR 4**
- J44** x1
 - P13** 3,5x13 x1
 - G22** 8 x2
 - L2** L=895 mm x1



1



N21		x4	B1		8x28	x8
S2		x4	B2		6x28	x8
M1		x8	T1			x8
R23		L-350 mm				
		x4L/4R				
E2		6,3x11				x24
S3		3,5x13				x8



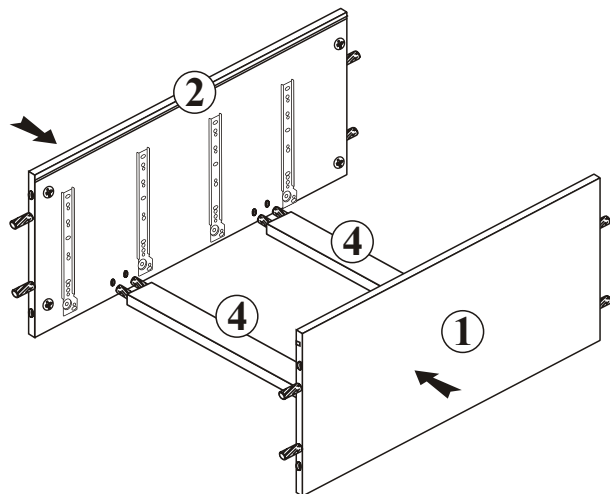
3

3

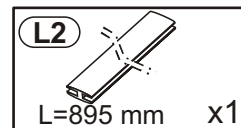
4

x2

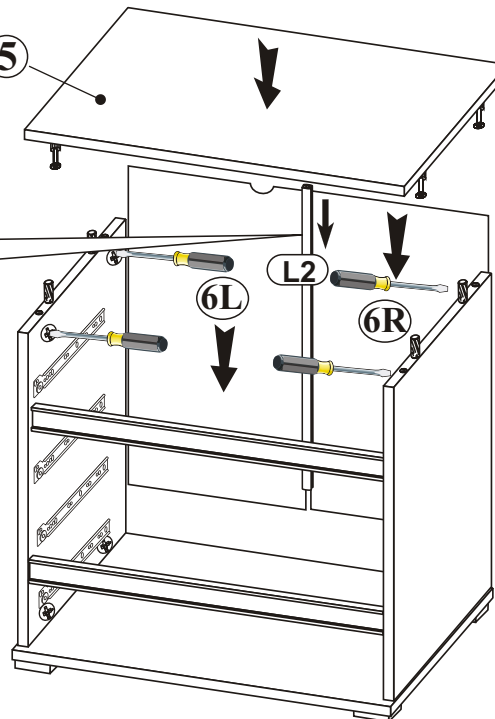
2



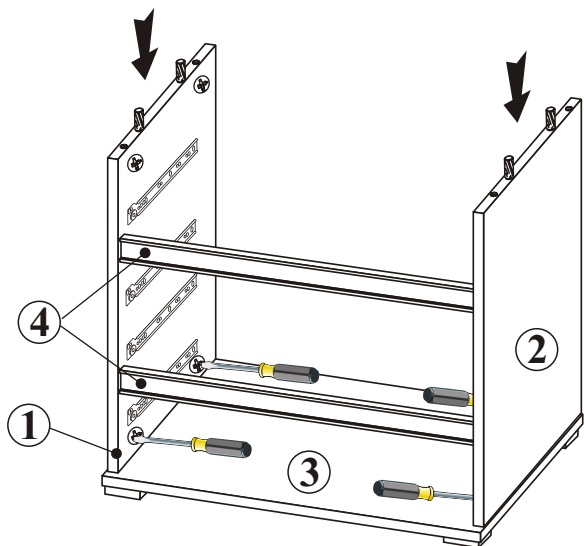
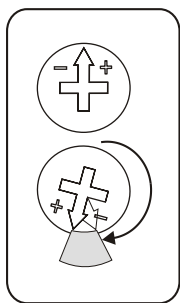
4



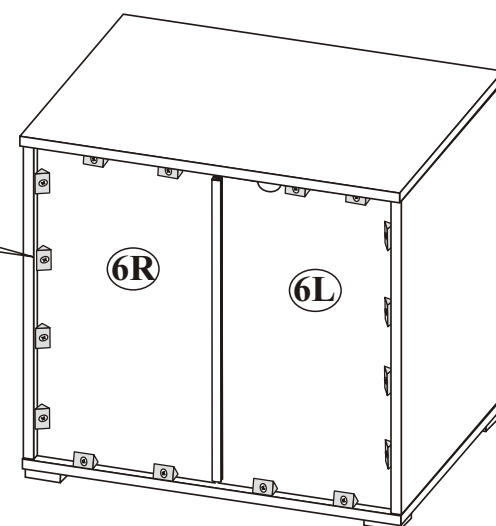
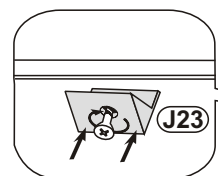
5



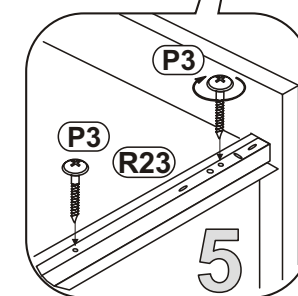
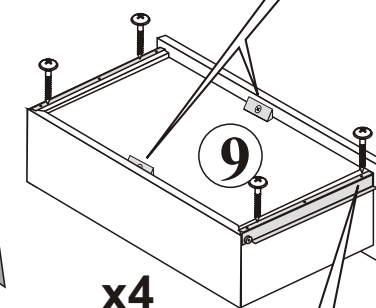
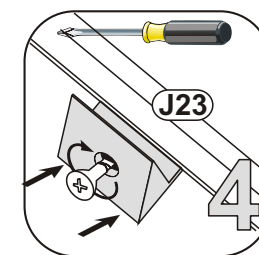
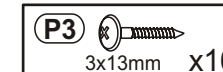
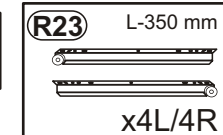
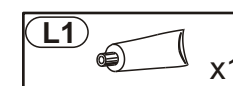
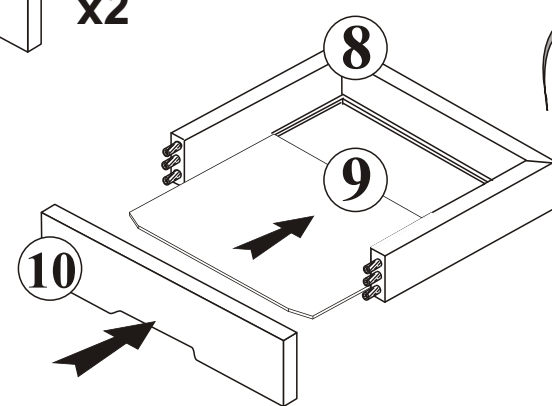
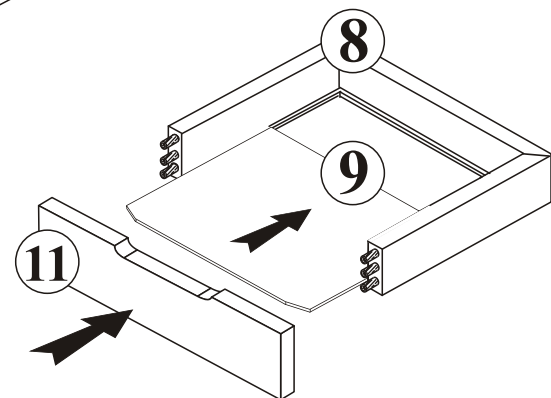
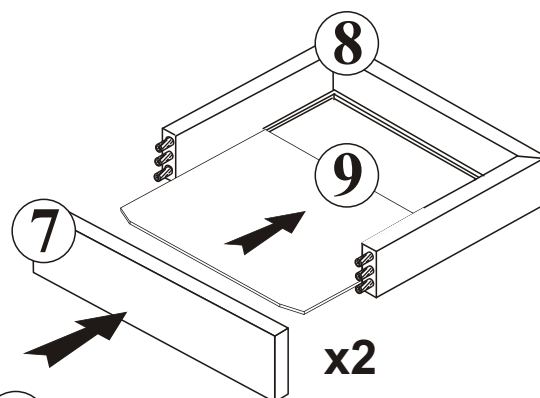
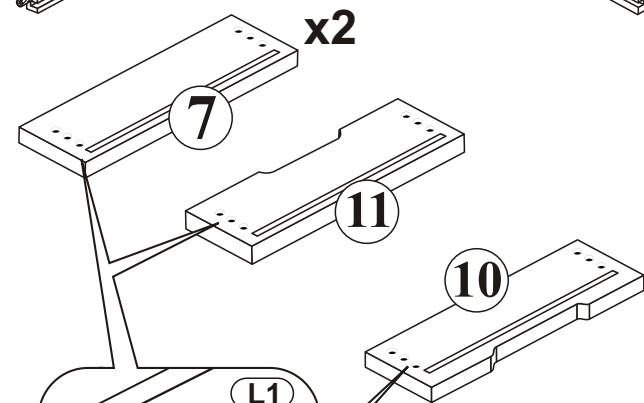
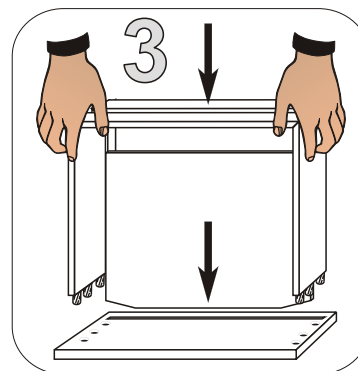
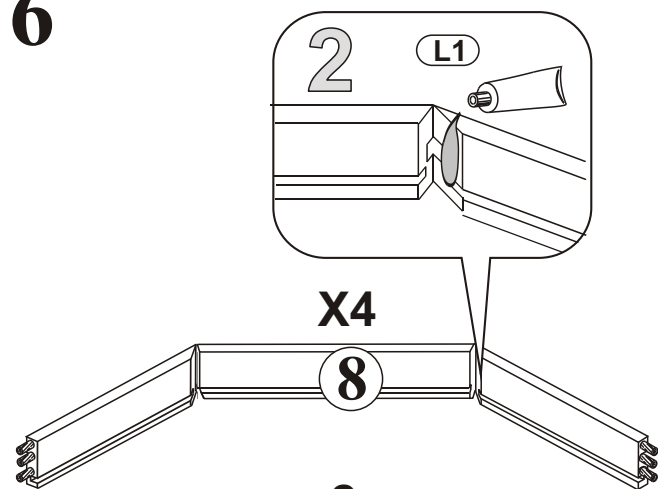
3



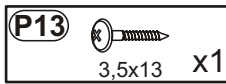
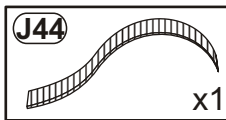
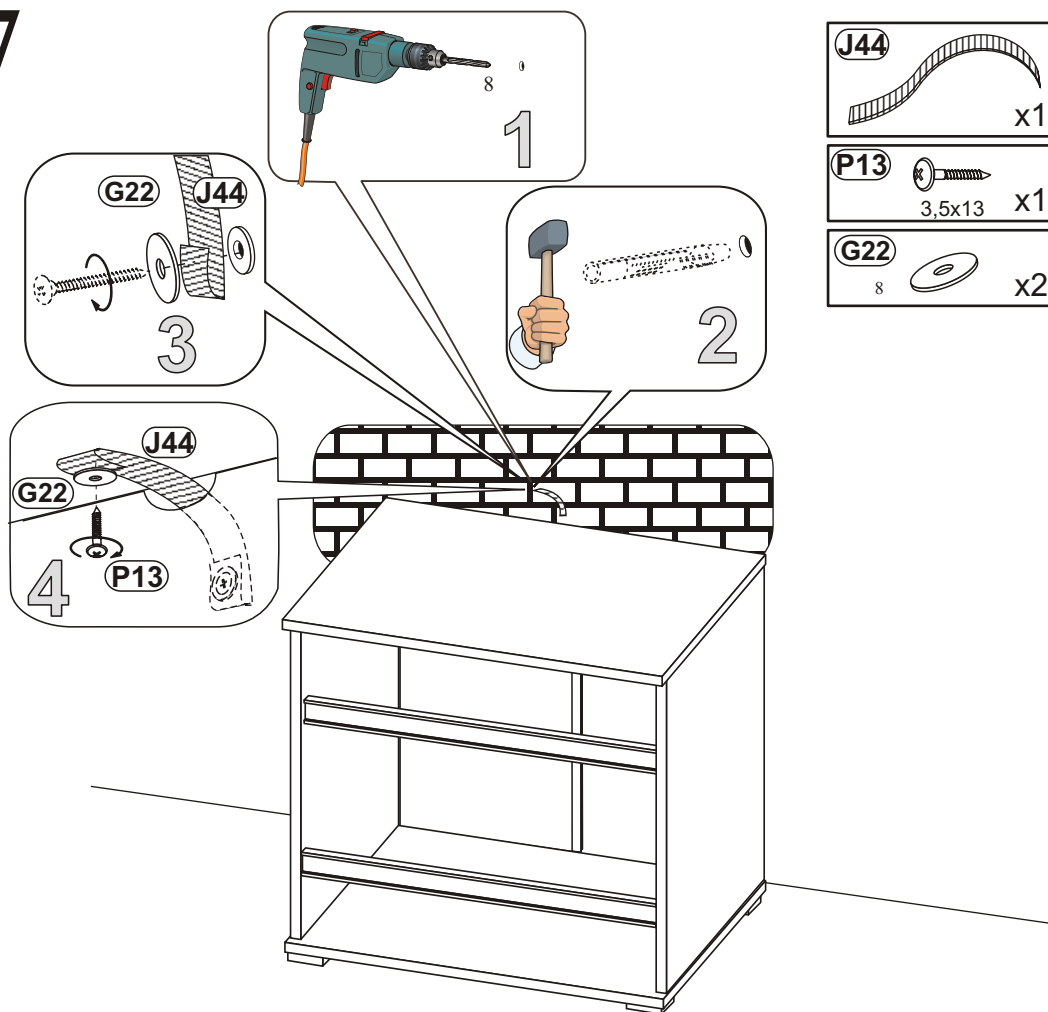
5



6



7



8

