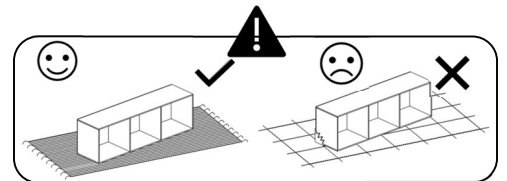
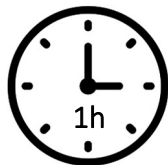
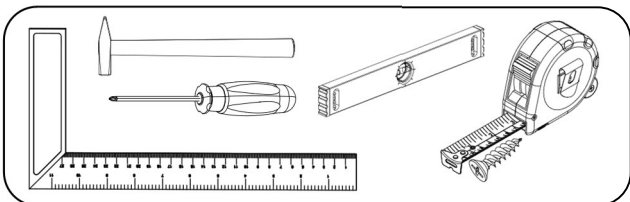
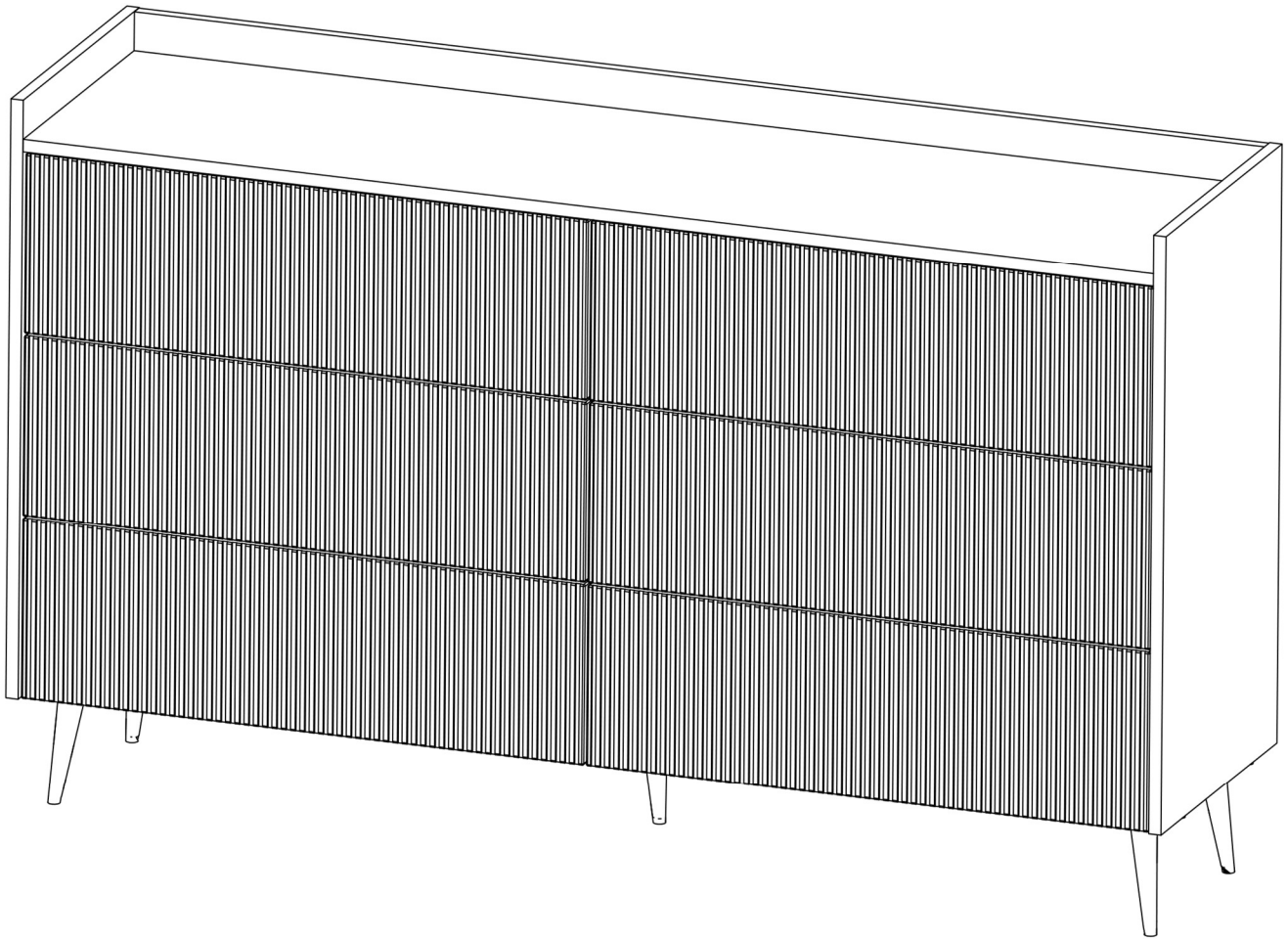
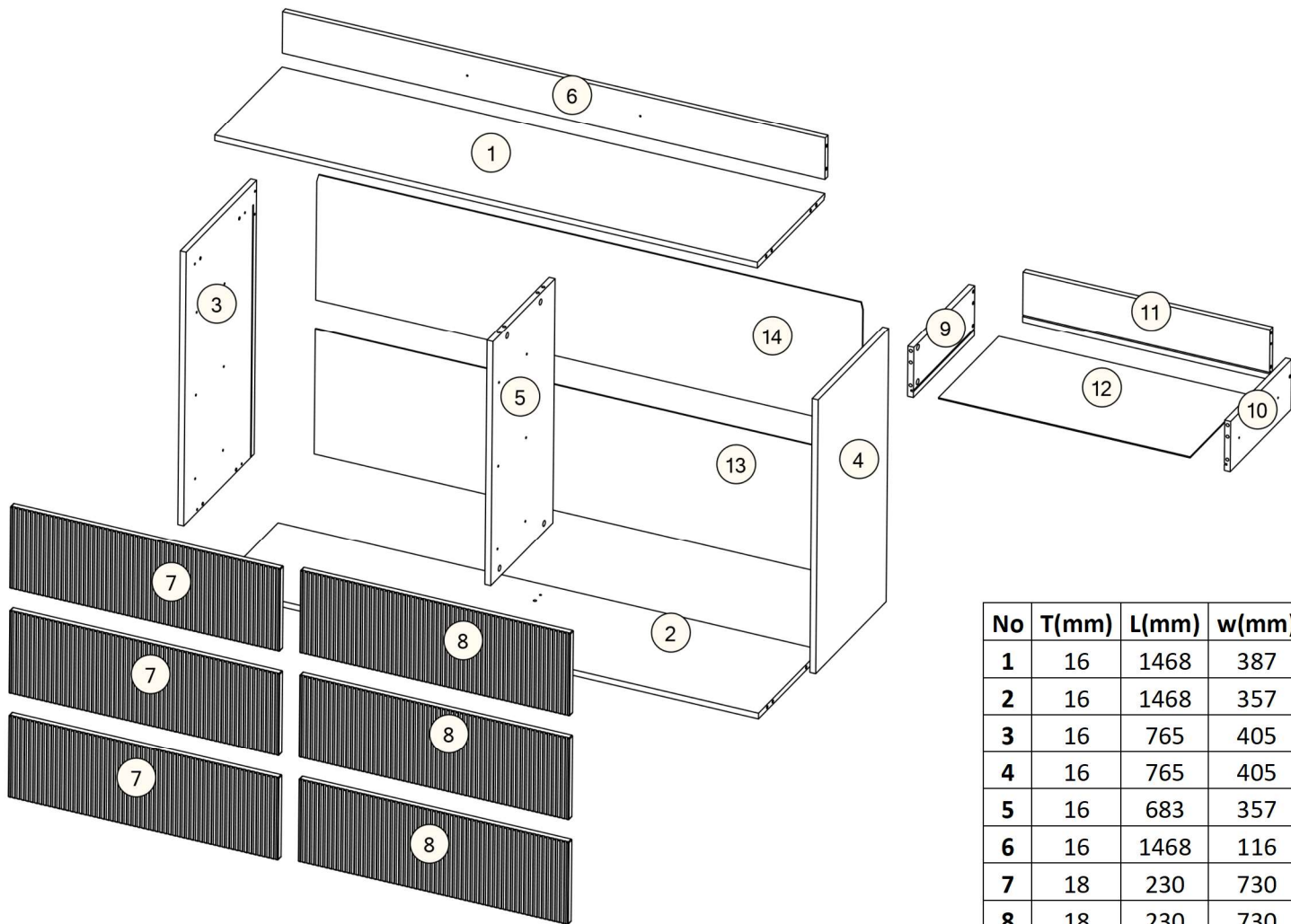
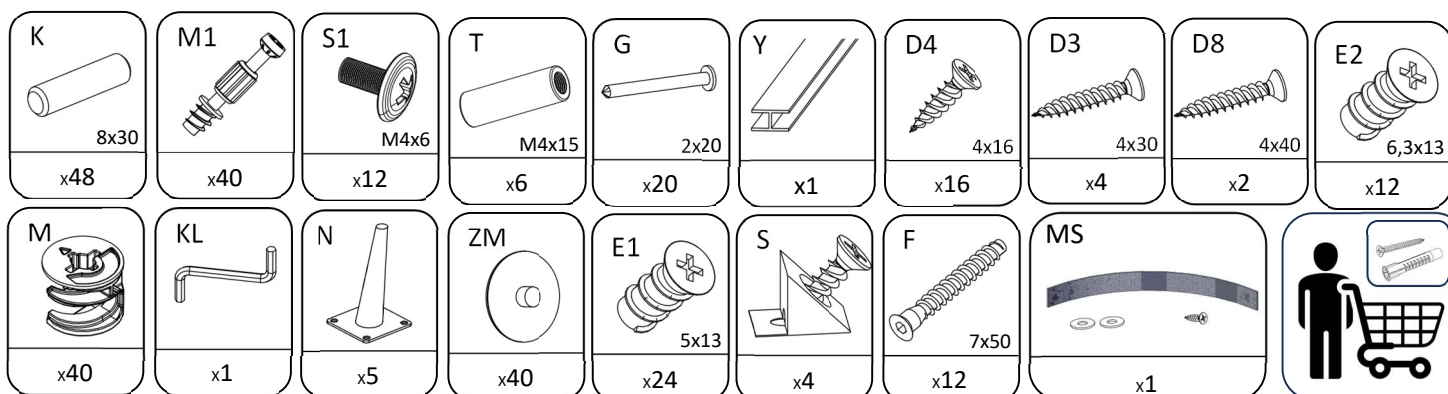
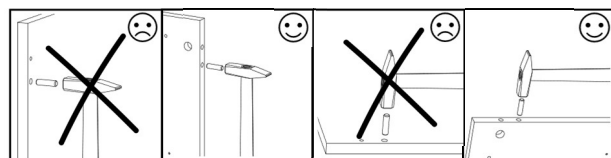
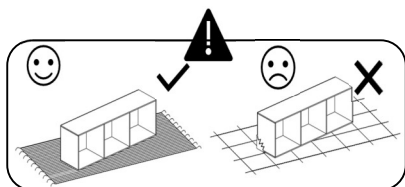
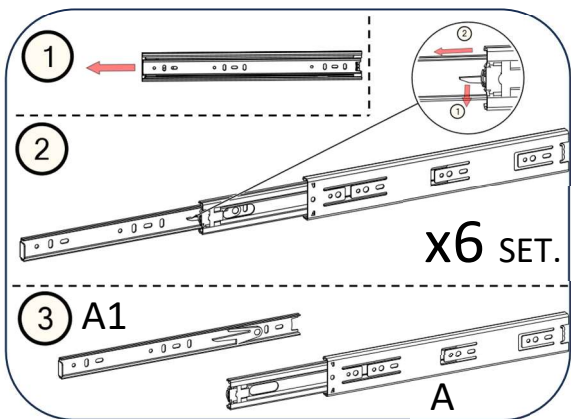


ADEMO 3






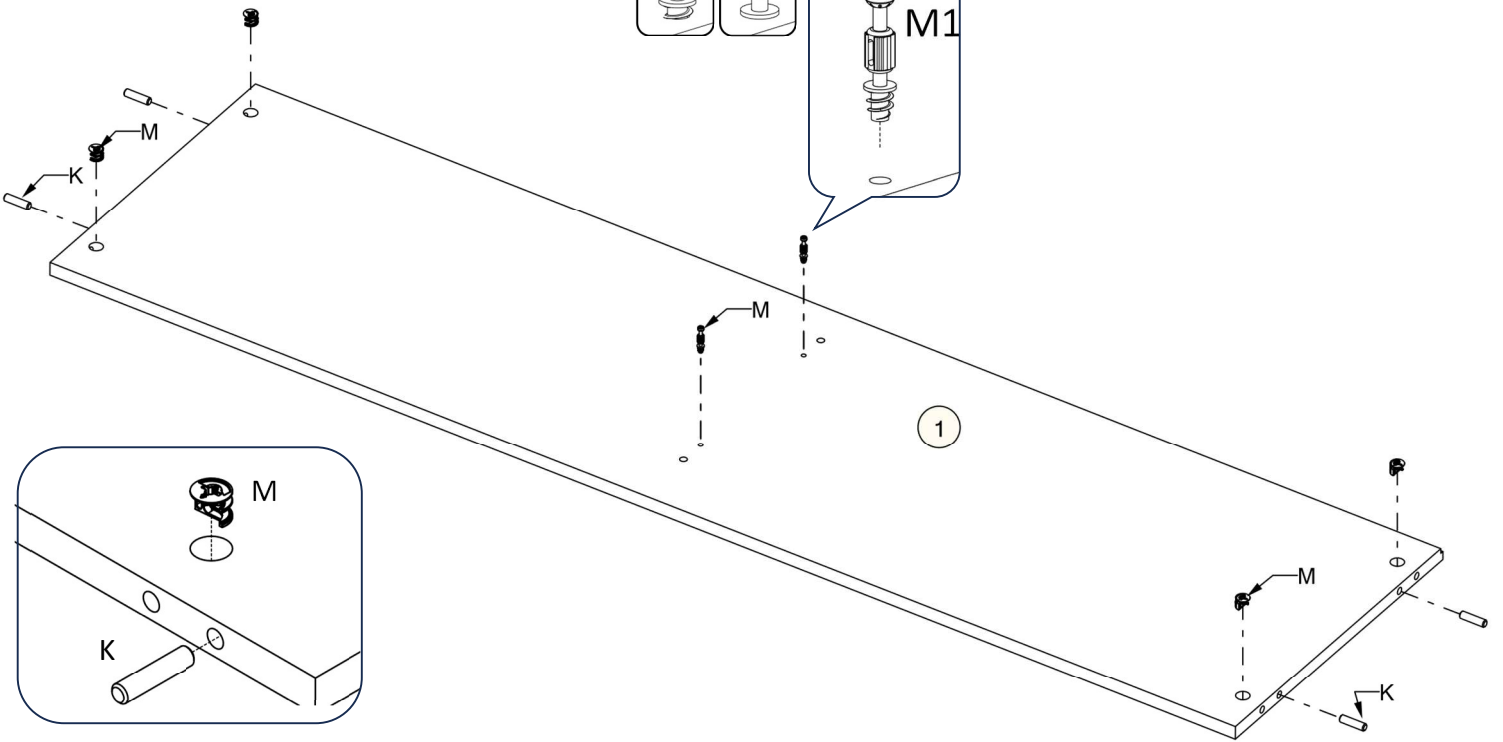
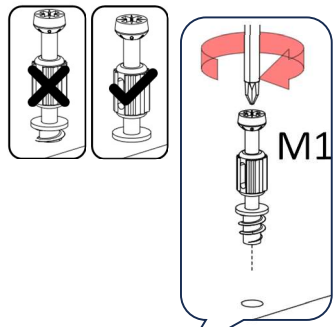


No	T(mm)	L(mm)	w(mm)	pcs.
1	16	1468	387	1
2	16	1468	357	1
3	16	765	405	1
4	16	765	405	1
5	16	683	357	1
6	16	1468	116	
7	18	230	730	3
8	18	230	730	3
9	16	350	140	6
10	16	350	140	6
11	16	668	140	6
12	3	681	347	6
13	3	1477	350	1
14	3	1477	350	1

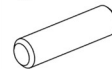



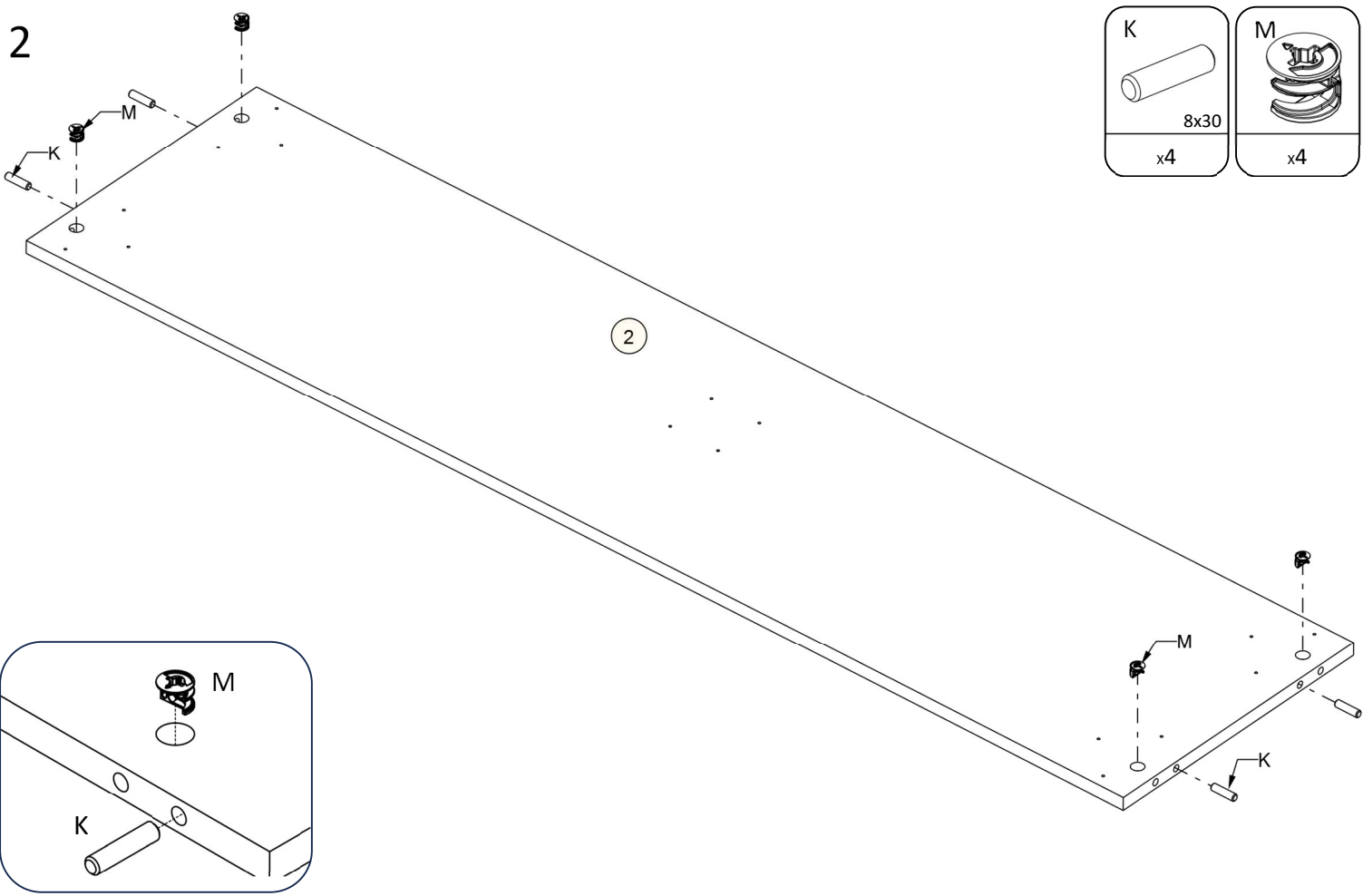
1

<p>K</p>  <p>8x30</p> <p>x4</p>	<p>M1</p>  <p>x2</p>	<p>M</p>  <p>x4</p>
--	--	---

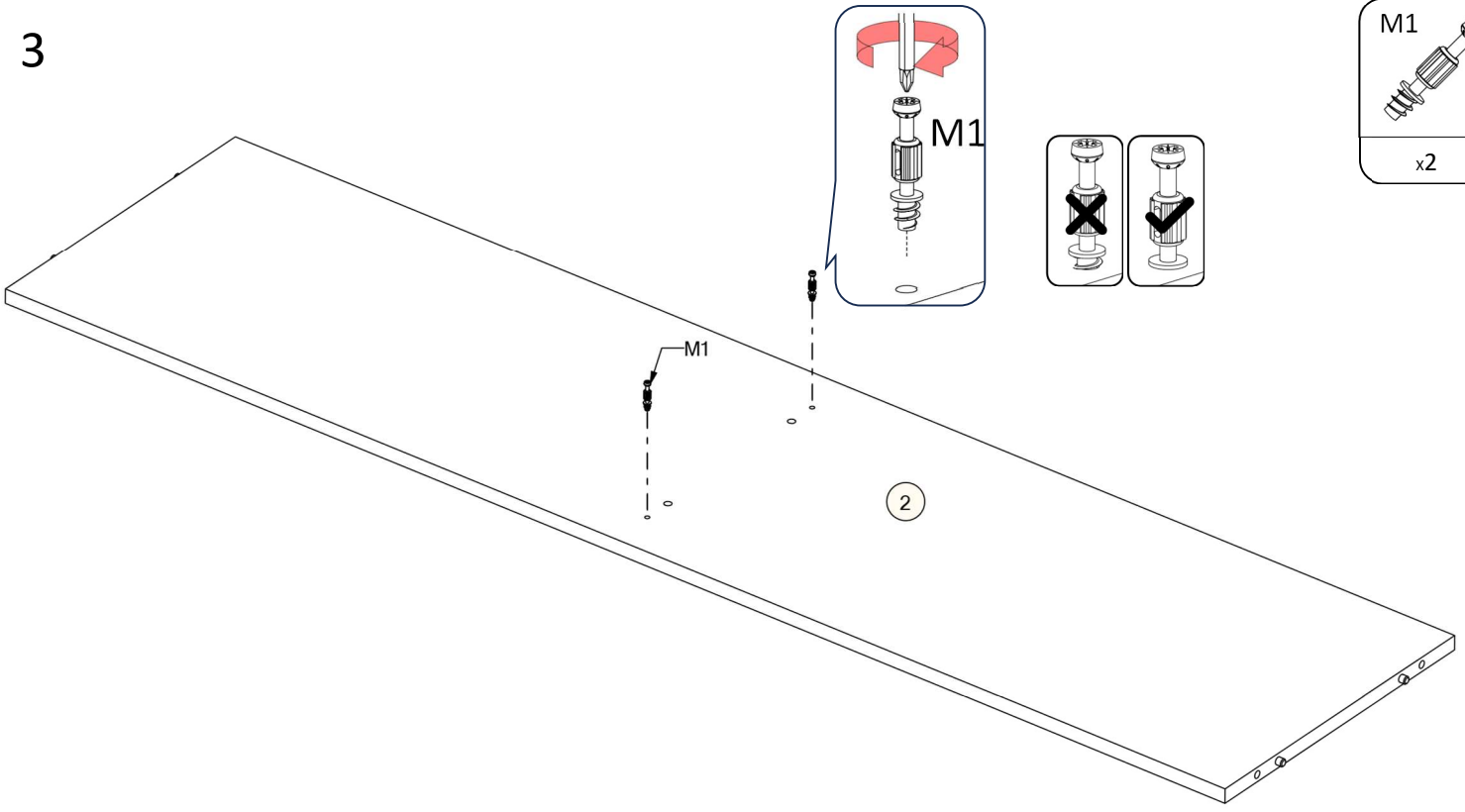


2

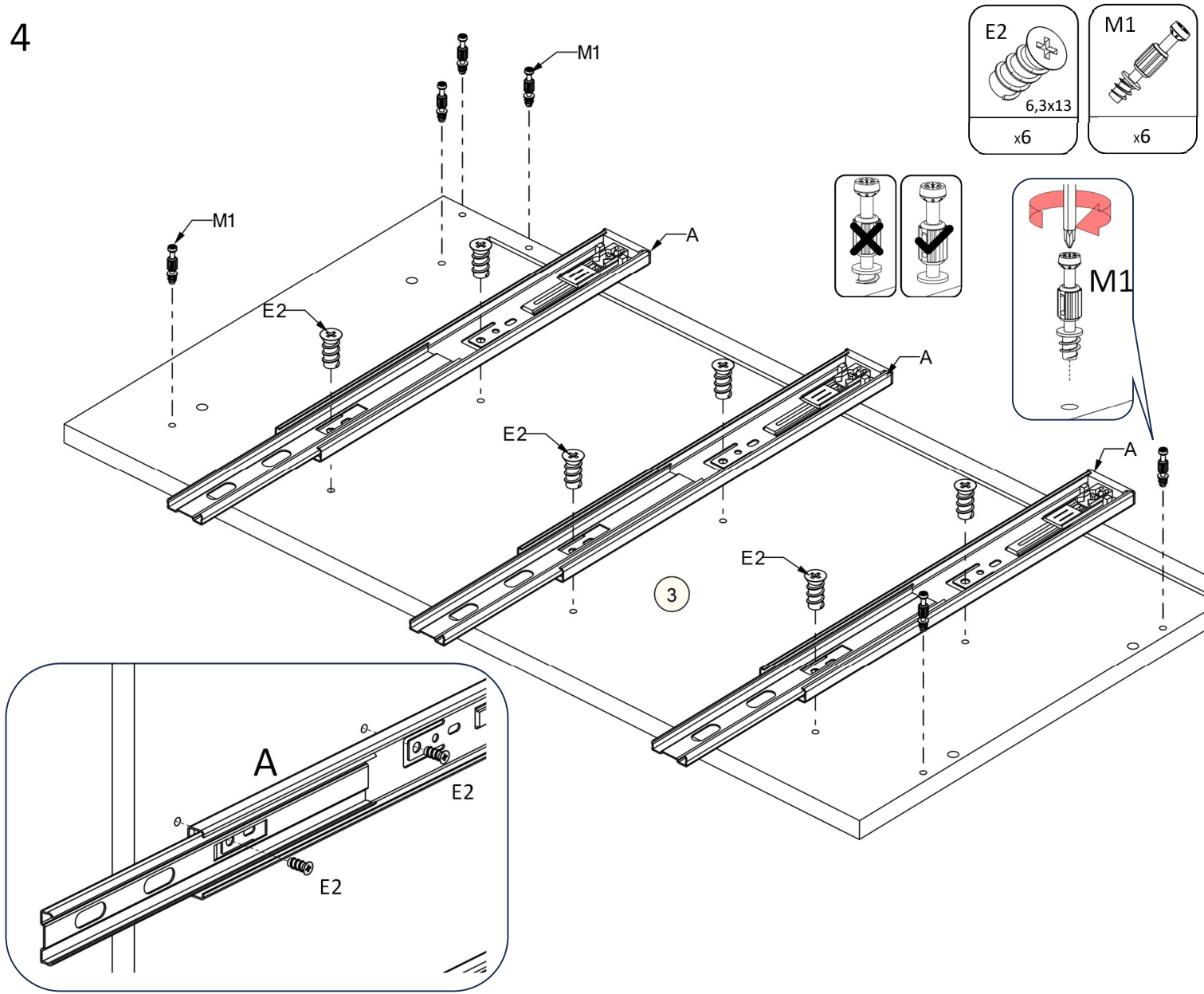
<p>K</p>  <p>8x30</p> <p>x4</p>	<p>M</p>  <p>x4</p>
--	--



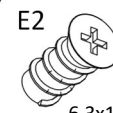

3

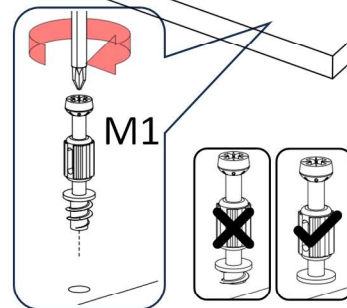
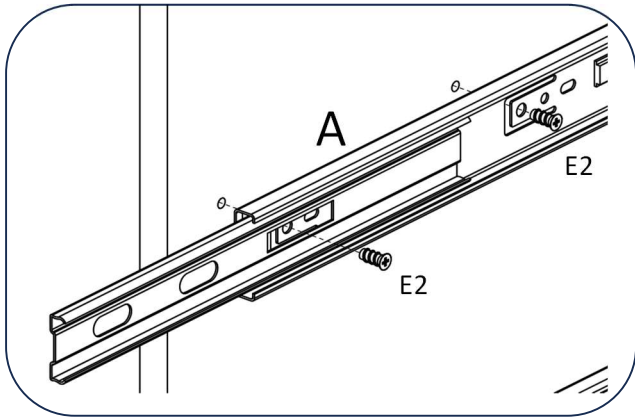
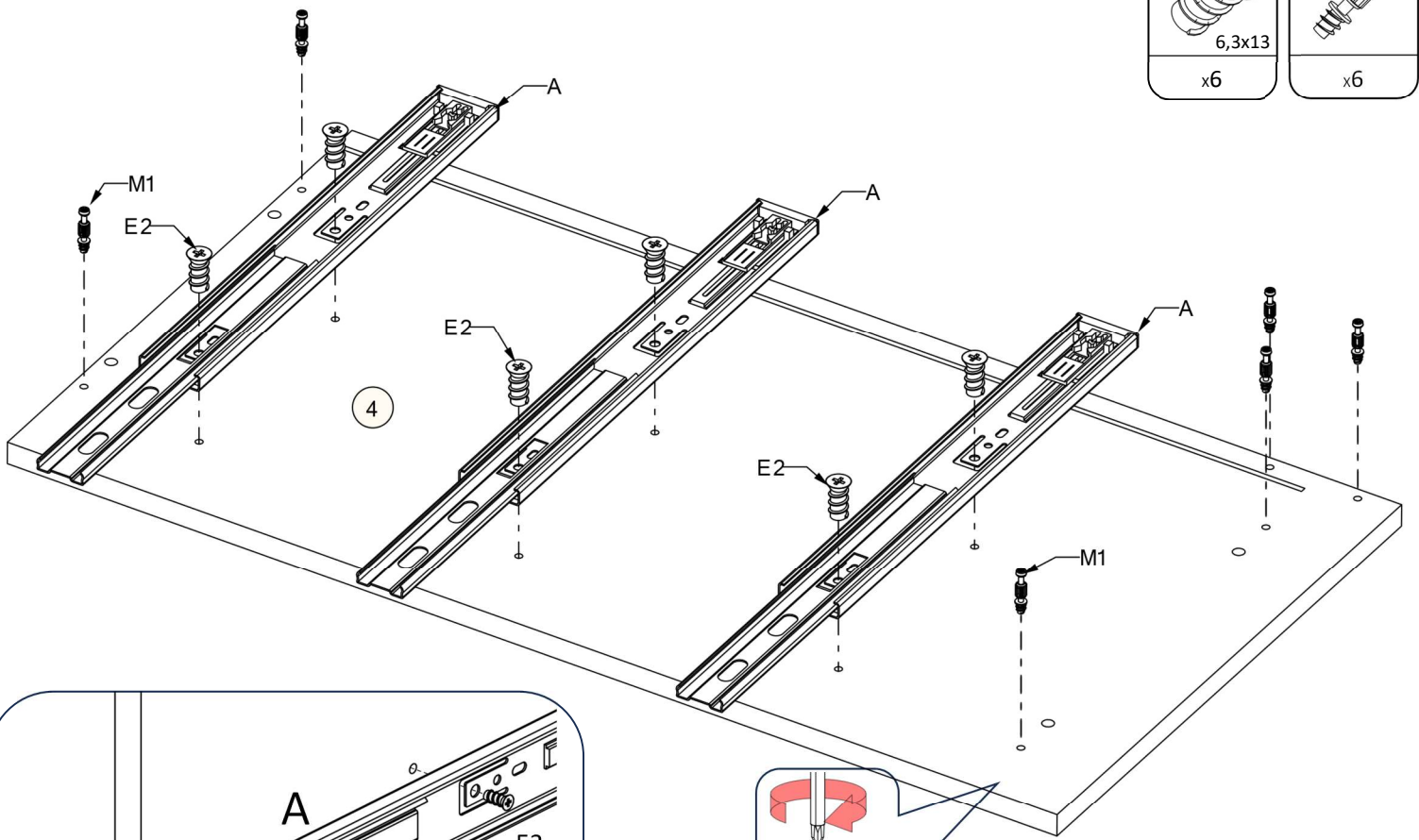


4

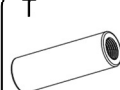
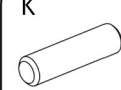



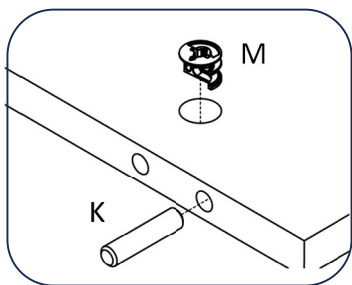
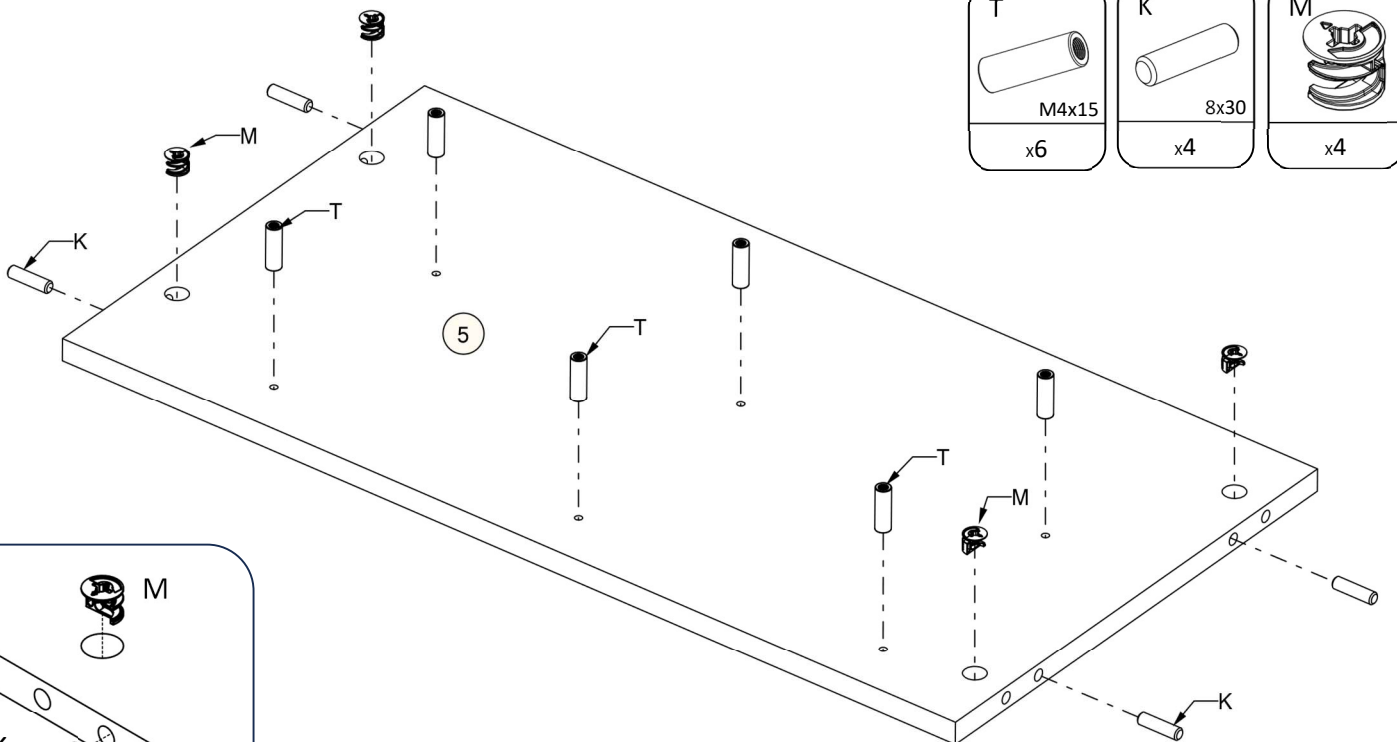
5

<p>E2</p>  <p>6,3x13</p> <p>x6</p>	<p>M1</p>  <p>x6</p>
--	--

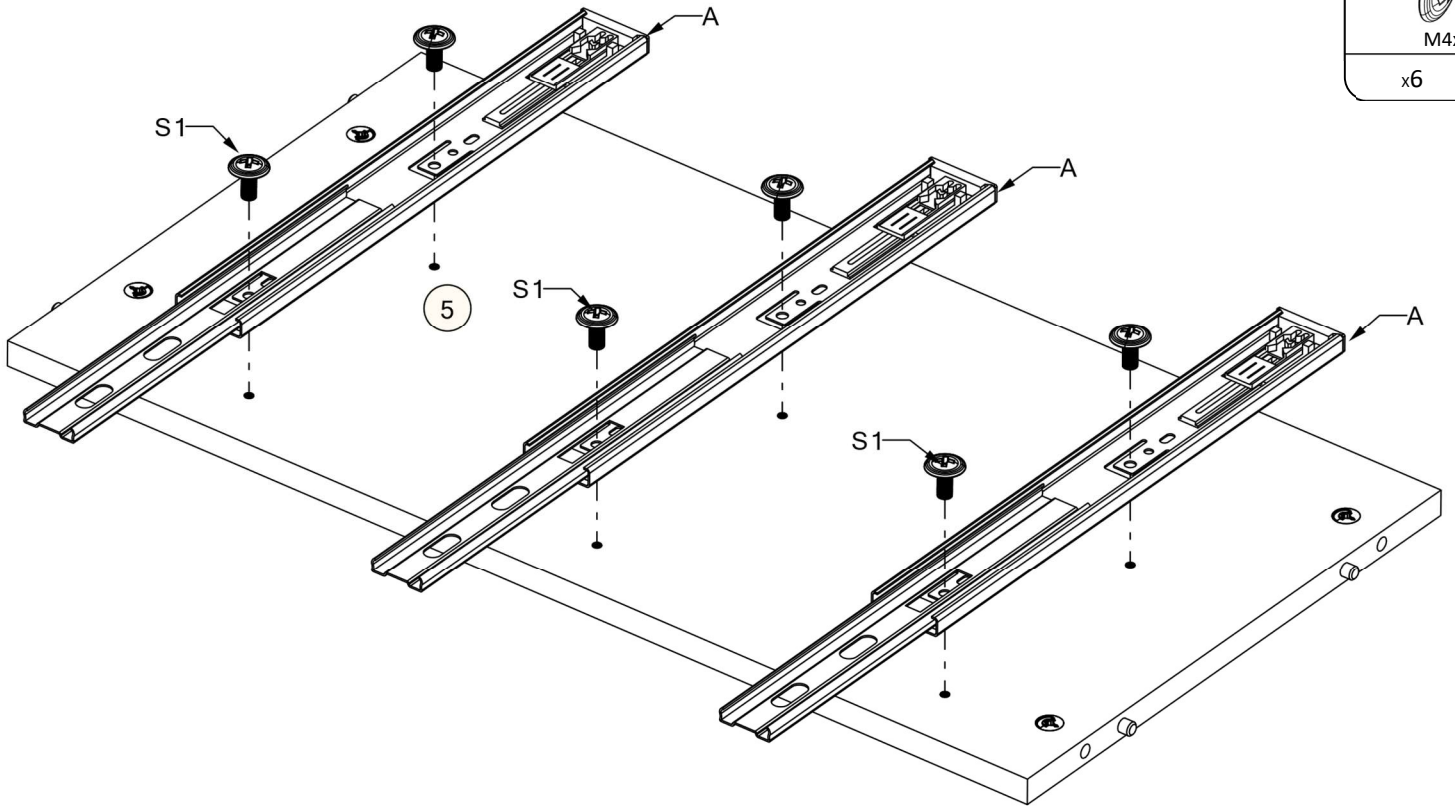


6

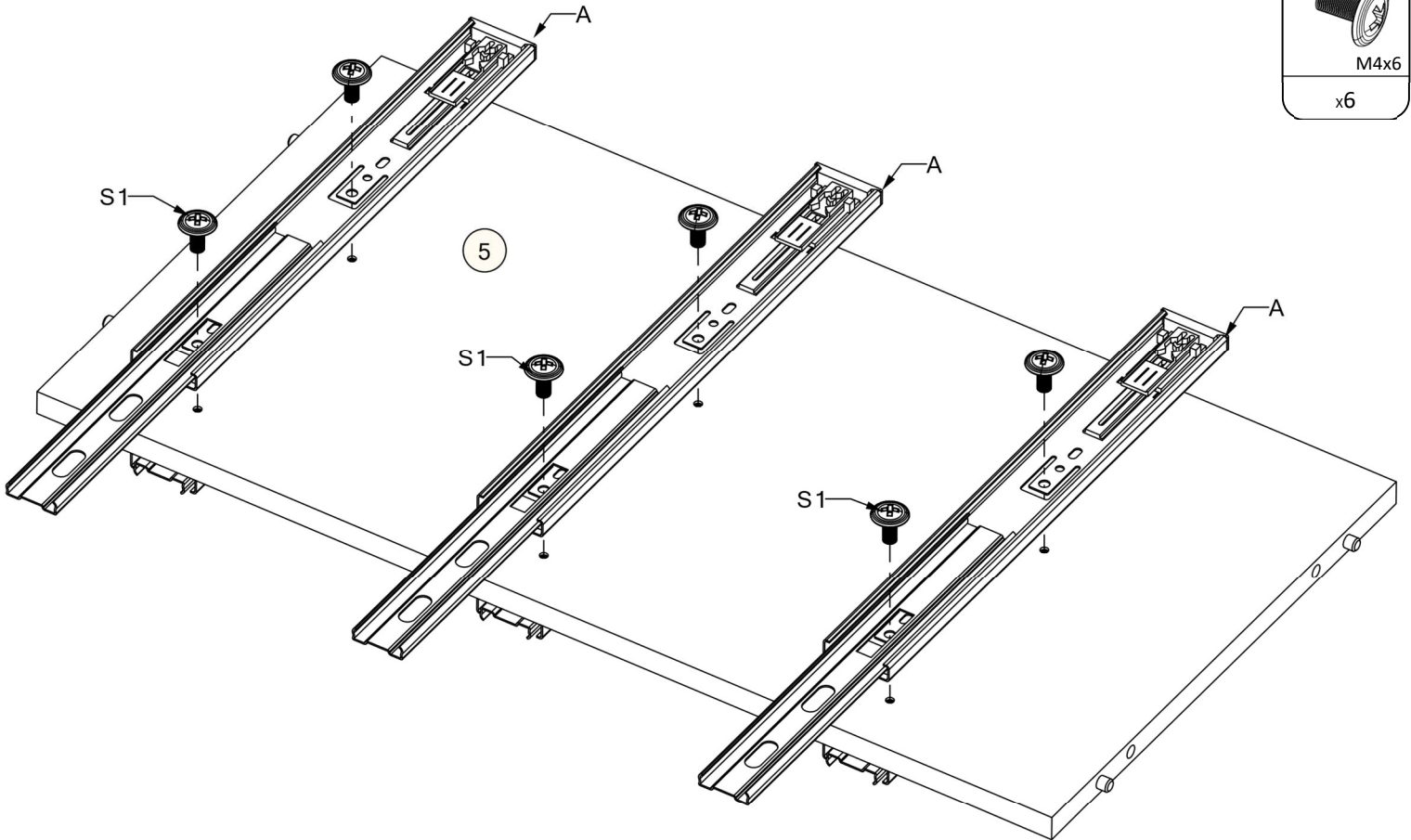
<p>T</p>  <p>M4x15</p> <p>x6</p>	<p>K</p>  <p>8x30</p> <p>x4</p>	<p>M</p>  <p>x4</p>
---	--	--



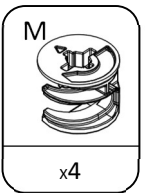
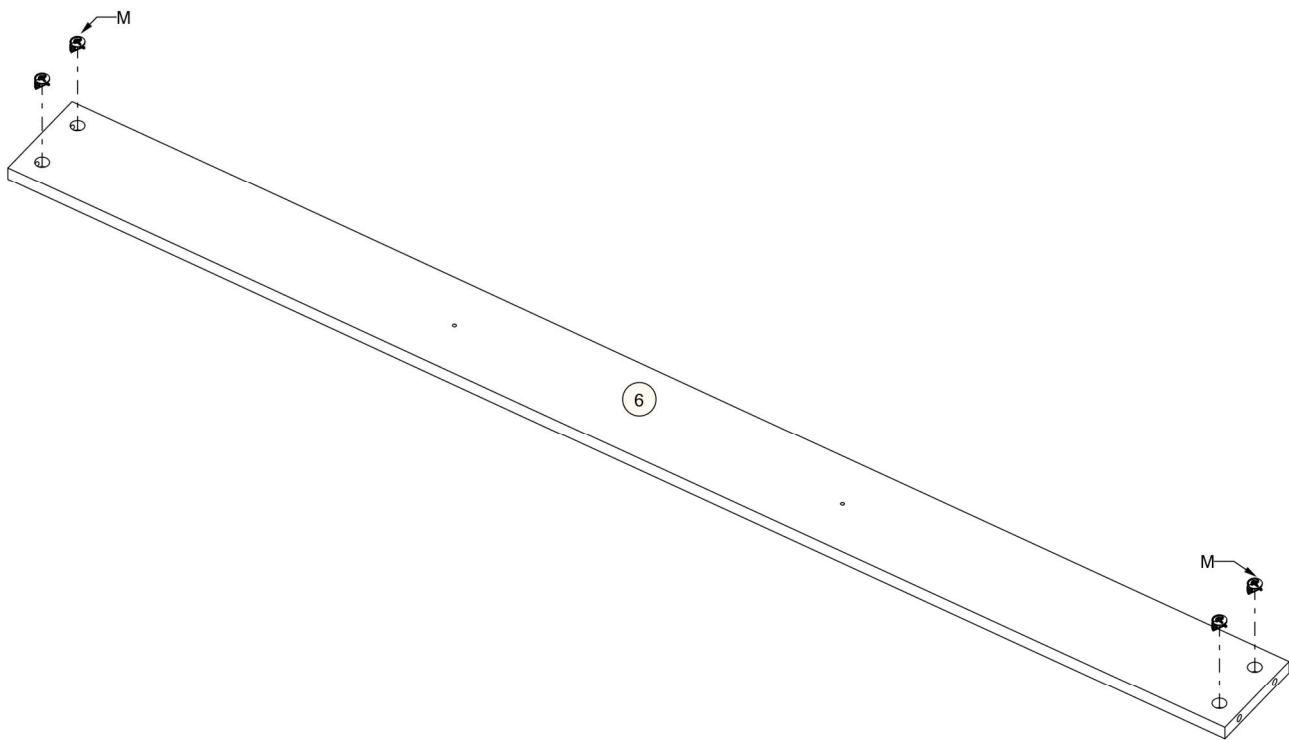
7



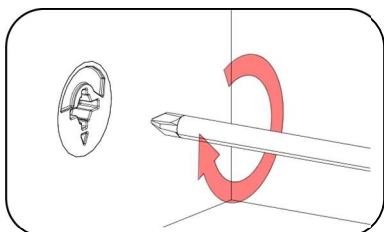
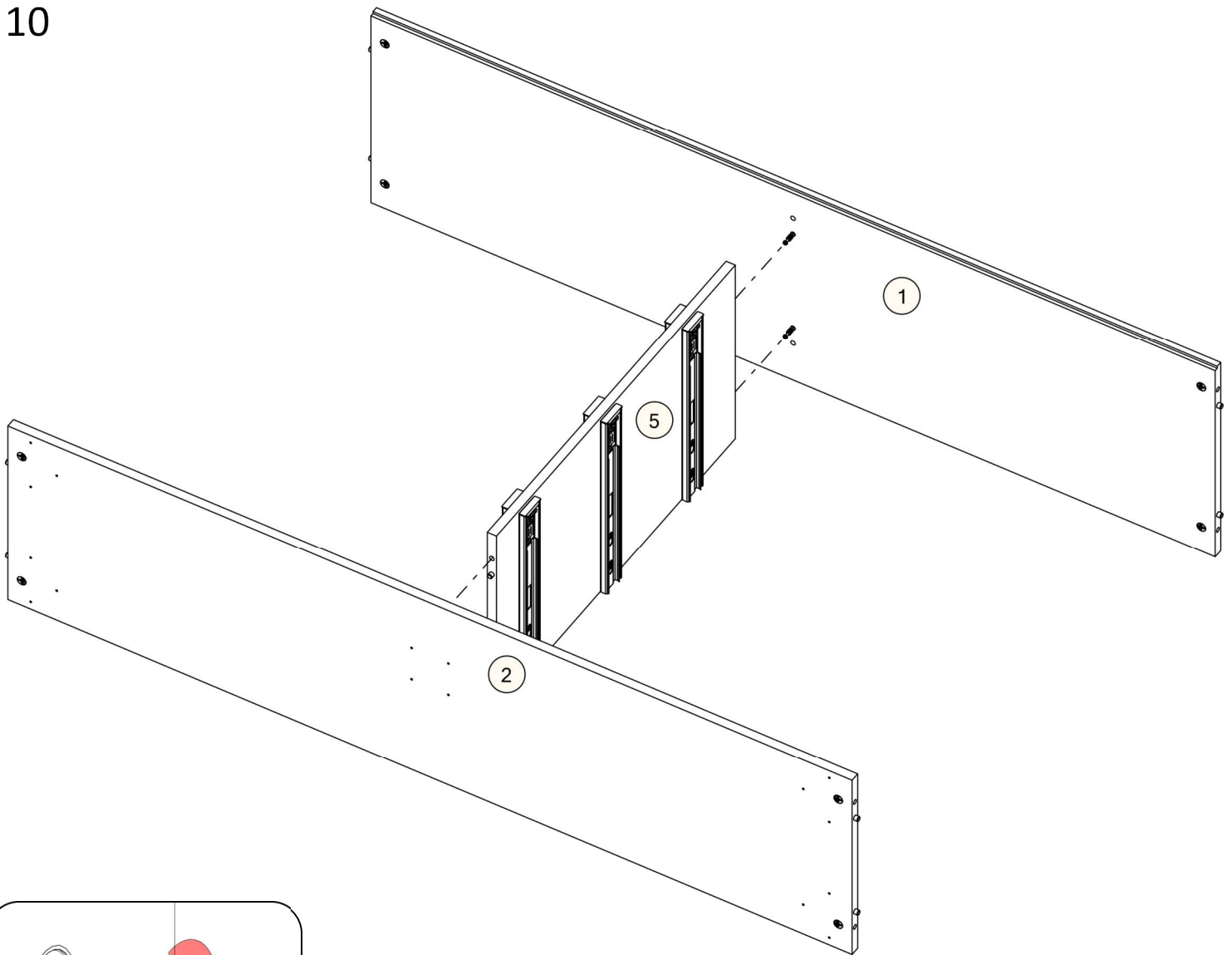
8



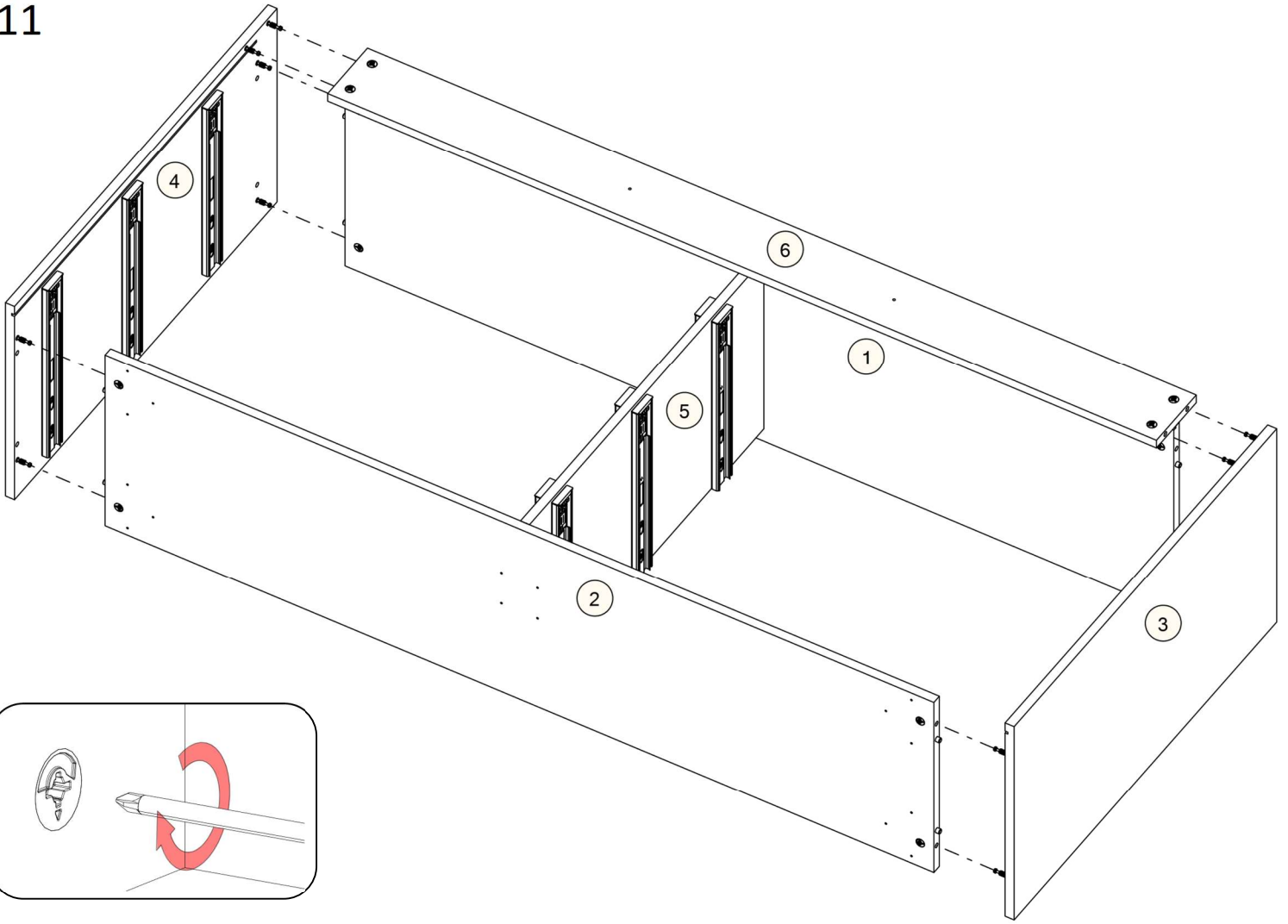
9



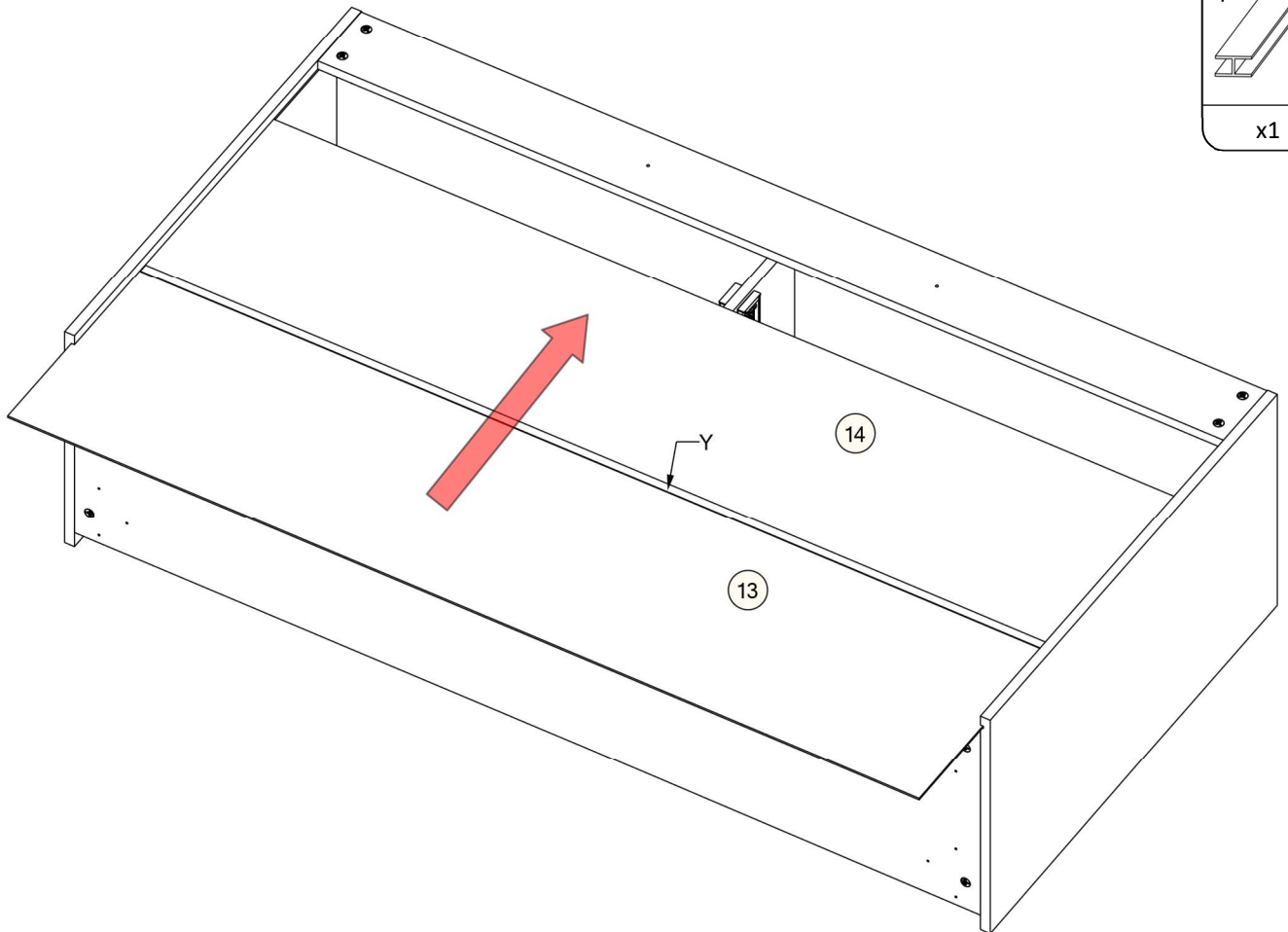
10



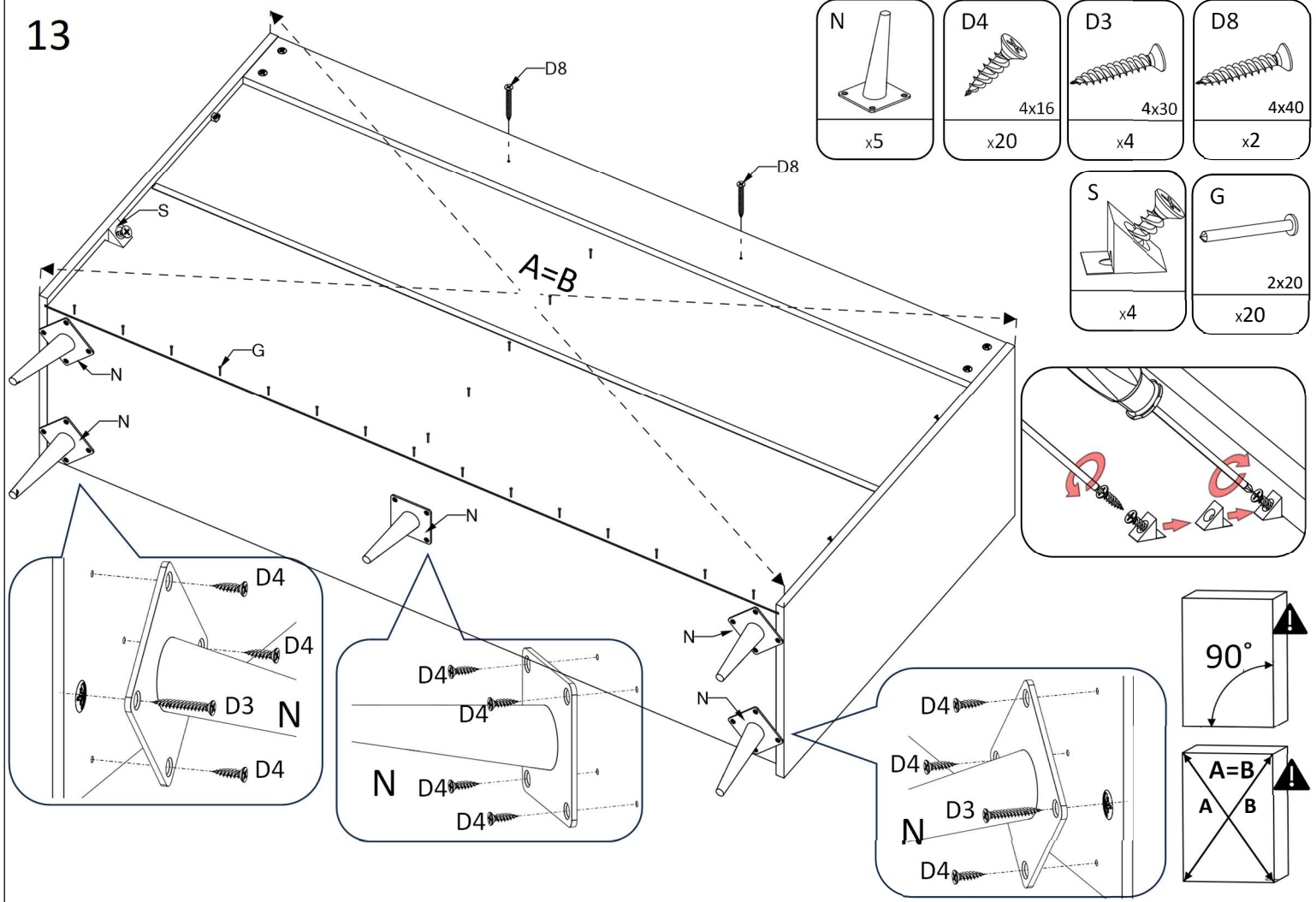
11



12

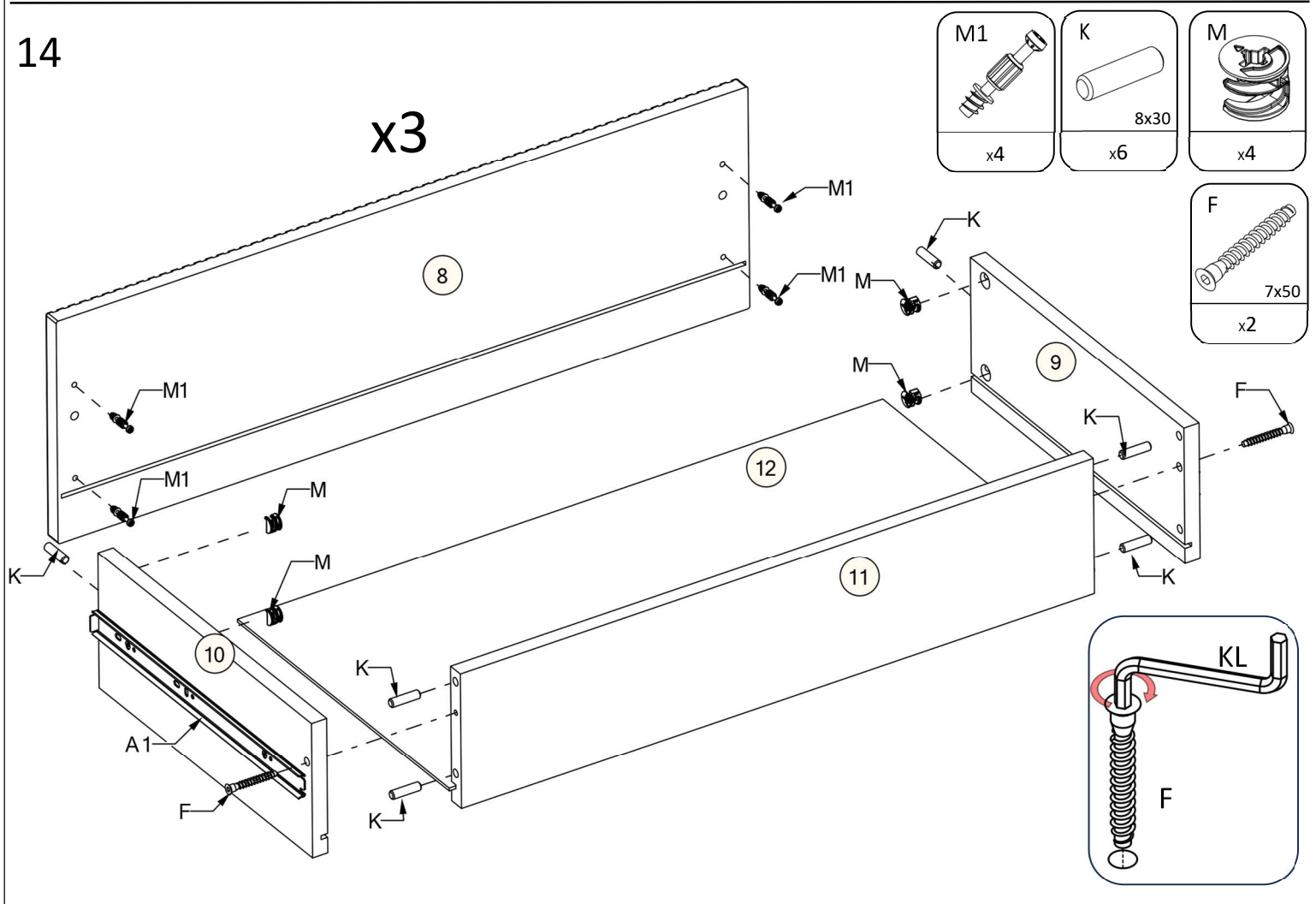


13



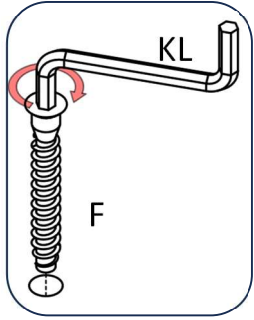
- | | | | |
|---------|-------------------|------------------|------------------|
| N
x5 | D4
4x16
x20 | D3
4x30
x4 | D8
4x40
x2 |
| S
x4 | G
2x20
x20 | | |

14

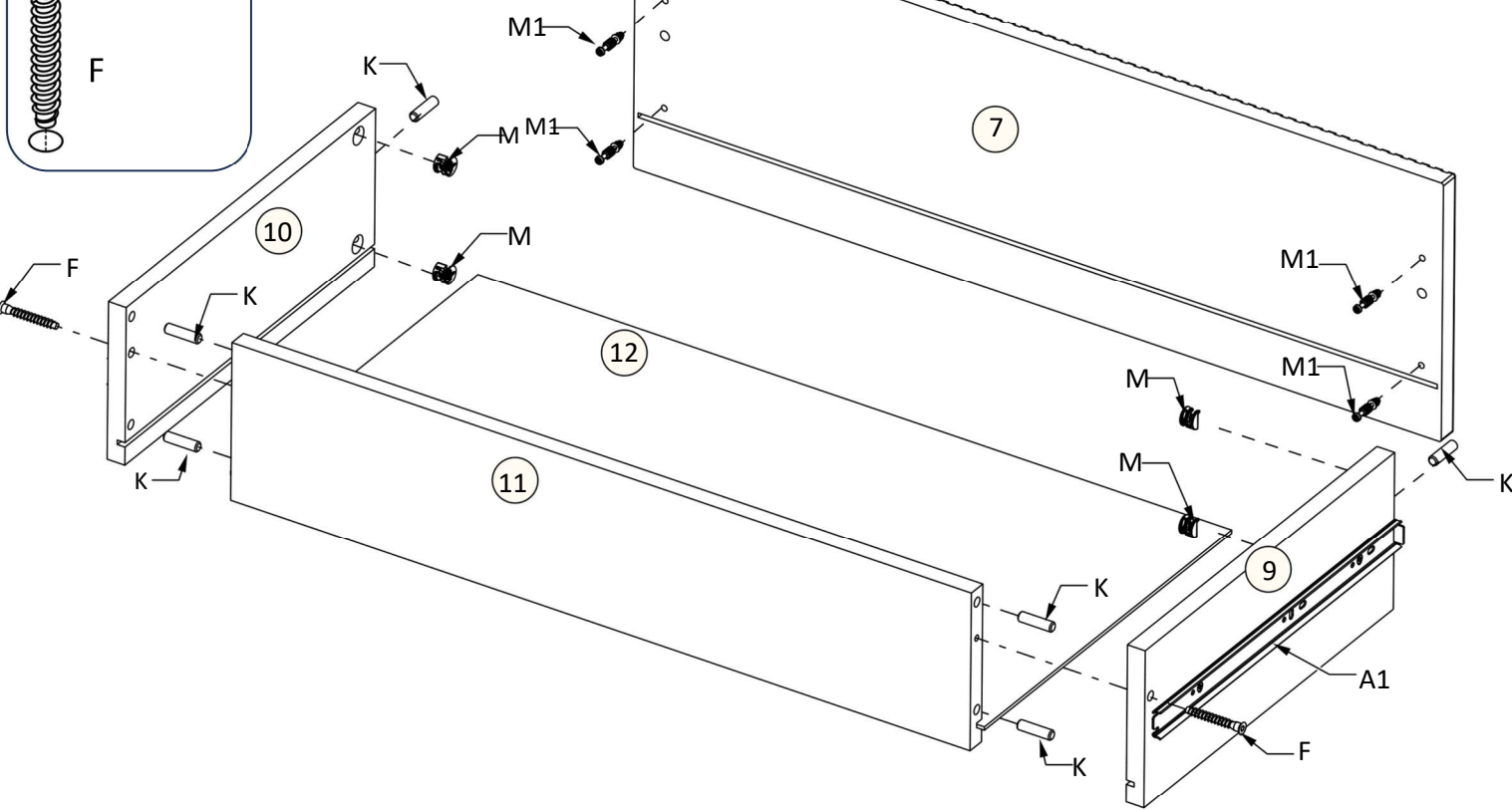
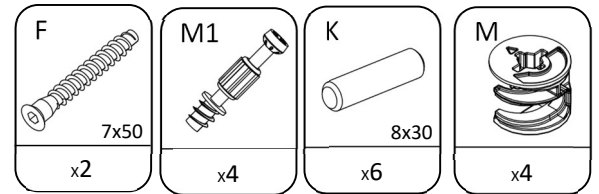


- | | | |
|-----------------|-----------------|---------|
| M1
x4 | K
8x30
x6 | M
x4 |
| F
7x50
x2 | | |

15



x3



16

